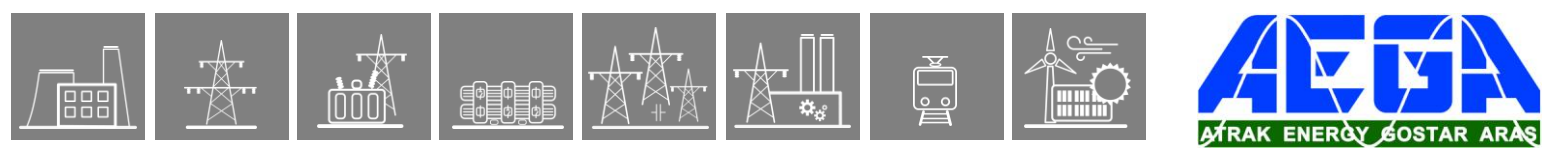


Manual

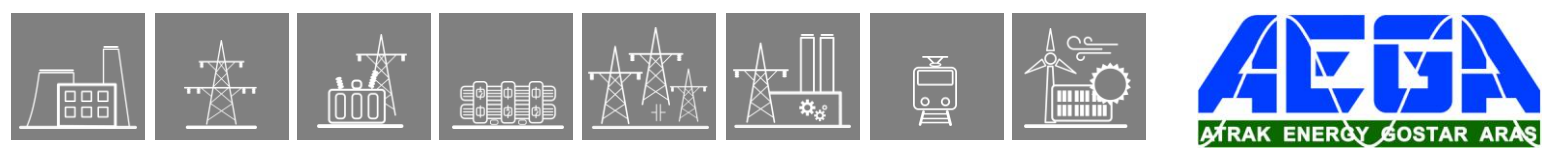
Distributed network components protection & control
EuroProt+/DTIVA

E3-FEEDER



VERSION INFORMATION

NAME	DOCUMENT ID	VERSION	DATE
EuroProt+ DTIVA type	PP-13-21885	1.1	2020-02-21
EuroProt+ Hardware description	PP-13-19958	2.0	2023-02-10
Synchro check synchro switch function	VERSION 1.0	1.0	2011-06-27
Definite time undervoltage protection function	PP-13-21403	1.1	2017-01-11
Directional overpower protection function	PP-13-22276	2.0	2021-01-06
Directional underpower protection function	PP-13-22277	2.0	2021-01-06
Negative sequence overcurrent protection	PP-13-20319	1.3	2022-08-09
Broken conductor protection	PP-13-22162	1.1	2020-06-29
Negative sequence definite time overvoltage protection function	PP-13-20580	1.0	2014-08-26
Line thermal protection	VERSION 1.0	1.0	2011-10-25
Three-phase Instantaneous Overcurrent Protection	PP-13-22489	2.0	2022-03-04
Residual Instantaneous Overcurrent Protection	PP-13-22488	2.1	2022-11-28
Breaker failure protection	PP-13- 22253	2.1	2022-10-03
Three-phase overcurrent protection	PP-13-21408	2.4	2022-08-22
Residual overcurrent protection	PP-13-20320	1.3	2022-08-22
Definite time overvoltage protection function	PP-13-21400	1.2	2017-01-11
Residual definite time overvoltage protection function	VERSION 1.0	1.0	2011-06-27
Directional three-phase overcurrent protection function	PP-13-20321	2.1	2022-08-22
Directional residual time overcurrent protection function	PP-13-20322	1.3	2022-08-22
Inrush current detection function	PP-13-22394	2.0	2021-08-10
Automatic reclosing function for high voltage networks	PP-13-21370	1.2	2017-02-08
Overfrequency protection function	PP-13-21379	2.2	2021-07-30
Underfrequency protection function	PP-13-21379	2.2	2021-07-30
Rate of change of frequency function	PP-13-21385	2.1	2020-02-11
Phase-Selective Trip Logic	PP-13-21531	2.0	2019-03-12
Circuit breaker wear monitoring	PP-13-21310	1.1	2016-09-06
Circuit Breaker control	PP-13-21877	2.0	2019-04-01
Disconnecter control	PP-13-20396	2.0	2019-04-01
Ethernet Links function	PP-13-21870	1.0	2019-02-19
Trip Circuit Supervision (TCS)	PP-13-21875	1.2	2019-08-09
Application of high-speed TRIP contacts	PP-13-21592	1.1	2017-10-02
Dead Line Detection Function	PP-13-22522	2.0	2022-03-04
Voltage transformer supervision and dead line detection	VERSION 1.1	1.1	2011-10-25
Current unbalance function	PP-13-22163	2.0	2020-06-25
Current input function block setting guide	VERSION 1.1	1.0	2015-01-29
Voltage input function block setting guide	VERSION 1.0	1.0	2015-01-29
Line measurement Frequency measurement Voltage measurement Current measurement	PP-13-21168	2.3	2021-09-02
Disturbance recorder	PP-13-20368	3.0	2017-06-02
Average and maximum measurement function	PP-11-20109	1.0	2013-09-27
Metering function	PP-13-22238	2.1	2022-10-19
Trip value recorder function	PP-13-20947	2.1	2020-12-10



Voltage measurement selection function	VERSION 1.0	1.0	2013-02-06
Earth-fault phase selection function	VERSION 1.0	1.0	2015-06-05
Setting guide to the directional overcurrent protection	-	1.0	2014-10-21
Automatic reclosing function for high voltage networks setting guide	PP-13-21370	1.2	2017-02-08
AIC current input function	PP-13-21392	1.0	2017-01-03
Remote I/O (RIO) server description	PP-13-22346	1.0	2021-06-02
Technical notes on EOB interoperability	-	1.0	2011-06-27
Maintenance guide	PP-13-226045	2.0	2022-11-18
RTD temperature input function	PP-13-21394	1.0	2017-01-03
EP+ Installation manual	PP-06-22516	1.0	2022-03-09

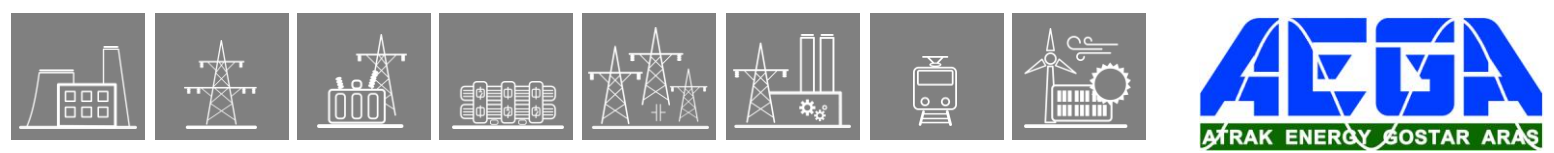


Table of Contents

1. Introduction	6
1.1. Application.....	6
1.1.1. General features	6
1.2. Pre-defined configuration variants	7
1.3. Hardware configuration	8
1.3.1. The applied hardware modules	9
1.3.2. Meeting the device	9
1.3.3. System design.....	10
1.3.4. CPU and COM module	11
1.3.5. Device housings	31
1.3.6. Human-Machine Interface (HMI) module	33
1.3.7. Current input module	40
1.3.8. Voltage input module	45
1.3.9. Binary input module.....	47
1.3.10. Signaling module	50
1.3.11. Tripping module.....	53
1.3.12. RTD input module.....	74
1.3.13. Analog input module (AI)	76
1.3.14. Analog output module (ATO)	78
1.3.15. Sensor input module.....	80
1.3.16. INJ module.....	82
1.3.17. Generator protection modules	83
1.3.18. Power supply module	87
1.3.19. Sampling synchronization module	91
1.3.20. Mixed function modules	92
1.3.21. General data.....	102
1.3.22. Mechanical data.....	104
1.3.23. Mounting methods.....	107
1.3.24. Product availability (special and obsolete modules)	127
1.3.25. Remote I/O (RIO) server description.....	132
1.3.26. Technical notes on EOB interoperability.....	141
1.3.27. EP+ Installation manual	144
2. Function and I/O listing.....	152
3. Software configuration	154
3.1. Protection functions.....	154
3.1.1. Synchro check / synchro switch function	156
3.1.2. Definite time undervoltage protection function	172
3.1.3. Directional over-power protection function.....	180
3.1.4. Directional under-power protection function.....	186
3.1.5. Negative sequence overcurrent protection function	193
3.1.6. Broken conductor protection.....	204
3.1.7. Negative sequence definite time overvoltage protection function	212
3.1.8. Line thermal protection function	219
3.1.9. Three-phase instantaneous Overcurrent Protection	232
3.1.10. Residual Instantaneous Overcurrent Protection	241
3.1.11. Breaker failure protection	250

3.1.12.	Three-phase time overcurrent protection	259
3.1.13.	Residual overcurrent protection function.....	275
3.1.14.	Definite time overvoltage protection function	284
3.1.15.	Residual definite time overvoltage protection function	293
3.1.16.	Directional three-phase overcurrent protection function	300
3.1.17.	Directional residual overcurrent protection function	326
3.1.18.	Inrush current detection function.....	341
3.1.19.	HV AutoReclosing	346
3.1.20.	Over-frequency protection function.....	363
3.1.21.	Underfrequency protection function	367
3.1.22.	Rate of change of frequency protection function.....	371
3.2.	Control & supervision functions.....	375
3.2.1.	Phase-Selective Trip Logic	375
3.2.2.	Circuit breaker wear monitoring function.....	379
3.2.3.	Circuit breaker control function block.....	384
3.2.4.	Disconnecter control function.....	390
3.2.5.	Ethernet Links function.....	397
3.2.6.	Trip Circuit Supervision	400
3.2.7.	Dead Line Detection Function	407
3.2.8.	Voltage transformer supervision function.....	416
3.2.9.	Earth-fault phase selection function	431
3.2.10.	Current unbalance function.....	434
3.3.	Measuring functions	440
3.3.1.	Current input function	442
3.3.2.	AIC current input function.....	447
3.3.3.	Voltage input function	449
3.3.4.	Line and frequency measurement functions	457
3.3.5.	Average and maximum measurement function.....	467
3.3.6.	Metering	469
3.3.7.	Voltage selection function block.....	475
3.3.8.	Trip Value Recorder	477
3.3.9.	RTD temperature input function.....	480
3.4.	Disturbance recorder function	483
3.4.1.	Mode of recording.....	483
3.4.2.	Format of recording.....	484
3.4.3.	Downloading and evaluating the disturbance records	484
3.4.4.	Parameters of the disturbance recorder functions.....	484
3.4.5.	The input signals of the disturbance recorder functions	485
3.4.6.	The function blocks	485
3.4.7.	The recorded signals.....	485
3.5.	Event recorder	486
4.	Maintenance guide for EuroProt+ devices	487
4.1.	Foreword	487
4.2.	Safety precautions	487
4.2.1.	General guidelines for a scheduled maintenance of EP+ devices	488
4.3.	Power supply maintenance.....	489
4.4.	Elements and Batteries	491
5.	External Connections.....	492

1.3. Hardware configuration

The minimum number of inputs and outputs are listed in the Table below.

Hardware configuration	ANSI	E3-Feeder
Mounting		Op.
Panel instrument case		
Current inputs (4th channel can be sensitive)		4
Voltage inputs		4
Digital inputs		12
Digital outputs		8
Fast trip outputs		2
Temperature monitoring (RTDs) *	38 / 49T	Op.

Table 3 The basic hardware configuration of the E3-Feeder configuration

The basic module arrangement of the E3-Feeder configuration is shown below.

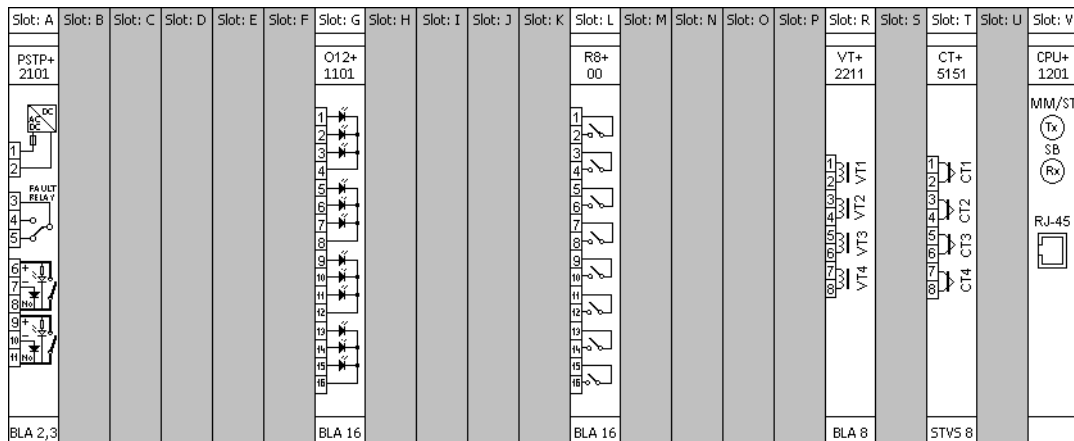


Figure 2 Basic module arrangement of the E3-Feeder configuration (84TE, rear view)

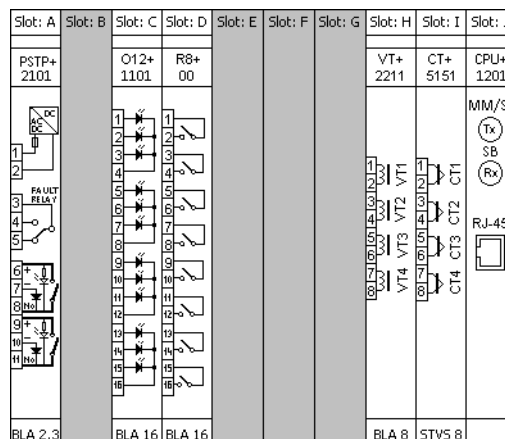


Figure 3 Basic module arrangement of the E3-Feeder configuration (42TE, rear view)

1.3.1. The applied hardware modules

The applied modules are listed in Table 4.

The technical specification of the device and that of the modules are described in the document “**Hardware description**”.

Module identifier	Explanation
PSTP+ 2101	Power supply unit
O12+ 1101	Binary input module
R8+ 00	Signal relay output module
VT+ 2211	Analog voltage input module
CT + 5151	Analog current input module
CPU+ 1201	Processing and communication module

Table 4 The applied modules of the E3-Feeder configuration

1.3.2. Meeting the device

The basic information for working with the **EuroProt+** devices are described in the document “**Quick start guide to the devices of the EuroProt+ product line**”.



Figure 4 The 84 inch rack of EuroProt+ family



Figure 5 The 42 inch rack of EuroProt+ family

1.3.3. System design

The EuroProt+ protection device family is a scalable hardware platform to adapt to different applications. Data exchange is performed via a 16-bit high-speed digital non-multiplexed parallel bus with the help of a backplane module.

Each module is identified by its location and there is no difference between module slots in terms of functionality. The only restriction is the position of the CPU module because it is limited to the “CPU” position. The built-in self-supervisory function minimizes the risk of device malfunctions.

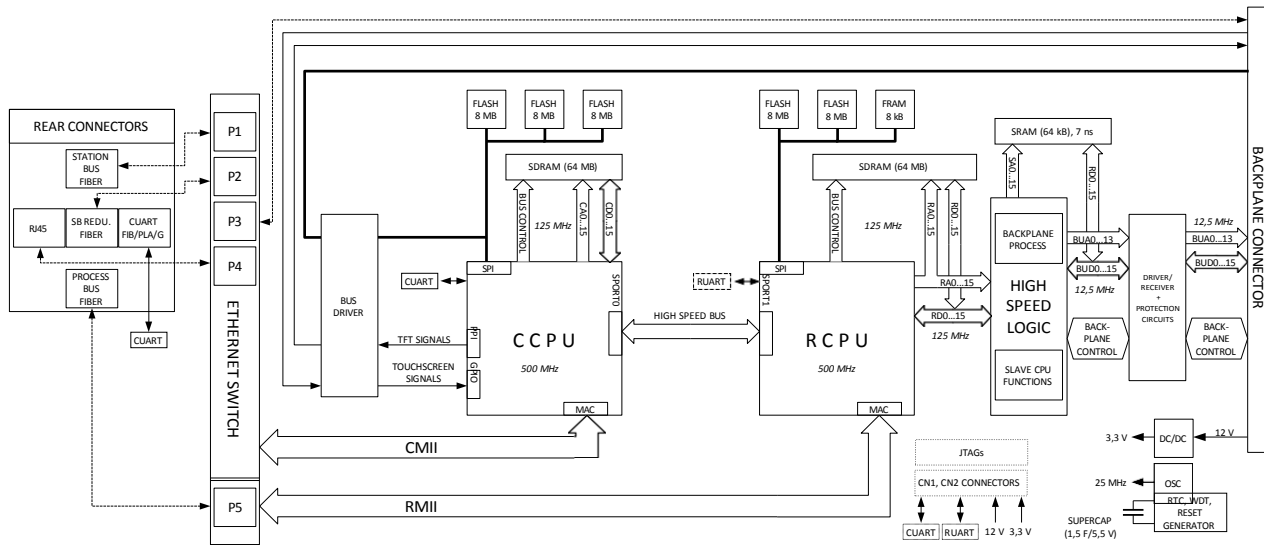
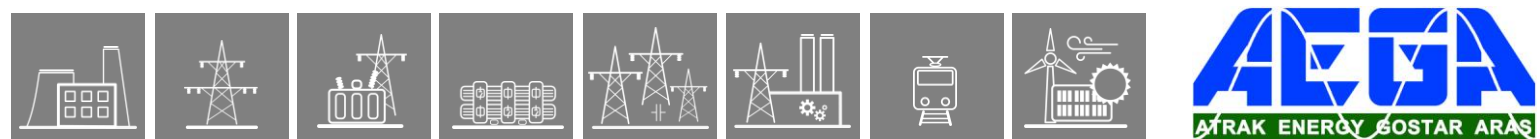


Figure 1-1 CPU block diagram

The backplane board itself is a passive board but it provides a 16-bit bus, power supply distribution, a two-wire interface (TWI) supporting module inventory management and module identification. It is designed to meet the requirements for high-speed digital buses and to comply with electromagnetic emission standards.

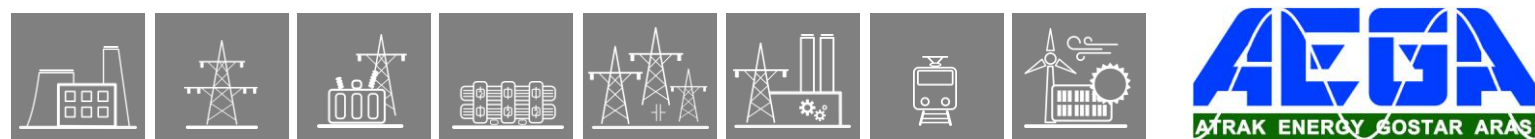


1.3.4.1.1. Fast start-up

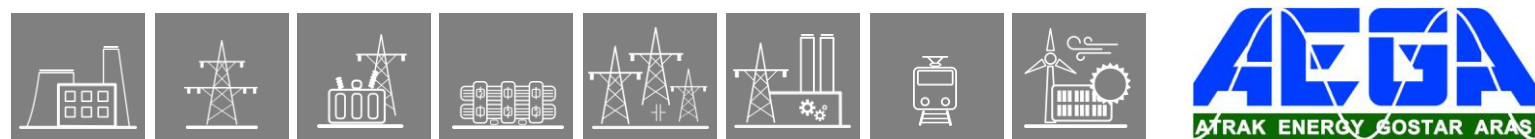
After power-up the RDSP processor starts up with the previously saved configuration and parameters. Generally, the power-up procedure for the RDSP and relay functions takes only a few seconds. That is to say, it is ready to trip within this time. CDSP's start-up procedure is longer because its operating system needs time to build its file system, initializing user applications such as HMI functions and the IEC61850 software stack.

1.3.4.1.2. HMI and communication tasks

- Embedded WEB-server:
 - Firmware upgrade possibility
 - Modification of user parameters
 - Events list and disturbance records
 - Password management
 - Online data measurement
 - Commands
 - Administrative tasks
- Front panel TFT display handling: the interactive menu set is available through the TFT and the touchscreen interface
- User keys: capacitive touch keys on front panel
- The built-in 5-port Ethernet switch allows EuroProt+ to connect to IP/Ethernet-based networks. The following Ethernet ports are available:
 - Station bus (100Base-FX Ethernet) SBW
 - Redundant station bus (100Base-FX Ethernet) SBR
 - Process bus (100Base-FX Ethernet)
 - EOB2 (Ethernet Over Board) or RJ-45 Ethernet user interface on front panel
 - Optional 10/100Base-T port via RJ-45 connector
- PRP/HSR seamless redundancy for Ethernet networking (100Base-FX Ethernet)
- Other communication:
 - RS422/RS485 interfaces (galvanic interface to support legacy or other serial protocols, ASIF)
 - Plastic or glass fiber interfaces to support legacy protocols, ASIF
 - Proprietary process bus communication controller on COM+ module
 - Telecommunication interfaces: G.703, IEEE C37.94



CPU VERSION	PRIMARY STATION BUS SBW	SECONDARY (REDUNDANT) STATION BUS SBR	LEGACY PORT/PROTOCOL	PROCESS BUS (FIBER) PB	SERVICE PORT ON FRONT PANEL EOB/ RJ45
CPU+/0007	-	-	-	-	+
CPU+/0091	-	-	-	+ SM SH	+
CPU+/0201*	-	+ RJ45	-	-	+
CPU+/0211*	-	+ RJ45	-	+ MM	+
CPU+/0281*	-	+ RJ45	-	+ SM LH	+
CPU+/0291*	-	+ RJ45	-	+ SM SH	+
CPU+/0301	-	-	+ POF	-	+
CPU+/0401	-	-	+ GS	-	+
CPU+/0501*	-	-	+ Galv. RS485/422	-	+
CPU+/1001	+ MM	-	-	-	+
CPU+/1004	+ MM	-	-	-	+
CPU+/1011	+ MM	-	-	+ MM	+
CPU+/1091	+ MM	-	-	+ SM SH	+
CPU+/1101*	+ MM	+ MM	-	-	+
CPU+/1111	+ MM	+ MM	-	+ MM	+
CPU+/1181	+ MM	+ MM	-	+ SM LH	+
CPU+/1191	+ MM	+ MM	-	+ SM SH	+
CPU+/1201*	+ MM	+ RJ45	-	-	+
CPU+/1202	+ MM	+ RJ45	-	-	+
CPU+/1211	+ MM	+ RJ45	-	+ MM	+
CPU+/1281	+ MM	+ RJ45	-	+ SM LH	+
CPU+/1291*	+ MM	+ RJ45	-	+ SM SH	+
CPU+/1292	+ MM	+ RJ45	-	+ SM SH	+
CPU+/1301	+ MM	-	+ POF	-	+
CPU+/1311	+ MM	-	+ POF	+ MM	+
CPU+/1331	+ MM	-	+ double POF	-	+
CPU+/1381	+ MM	-	+ POF	+ SM LH	+
CPU+/1391	+ MM	-	+ POF	+ SM SH	+
CPU+/1401	+ MM	-	+ GS	-	+
CPU+/1411	+ MM	-	+ GS	+ MM	+
CPU+/1481	+ MM	-	+ GS	+ SM LH	+
CPU+/1491	+ MM	-	+ GS	+ SM SH	+
CPU+/1501	+ MM	-	+ Galv. RS485/422	-	+
CPU+/1511	+ MM	-	+ Galv. RS485/422	+ MM	+



CPU VERSION	PRIMARY STATION BUS (FIBER) SBW	SECONDARY (REDUNDANT) STATION BUS SBR	LEGACY PORT/PROTOCOL	PROCESS BUS (FIBER) PB	SERVICE PORT ON FRONT PANEL EOB/ RJ45
CPU+/1581	+ MM	-	+ Galv. RS485/422	+ SM LH	+
CPU+/1611	+ MM	-	+ Galvanic sync	+ MM	+
CPU+/1681	+ MM	-	+ Galvanic sync	+ SM LH	+
CPU+/6001	+ MM/LC	-	-	-	+
CPU+/6004	+ MM/LC	-	-	-	+
CPU+/6093	+ MM/LC	-	-	+ SM SH	+
CPU+/6094	+ MM/LC	-	-	+ SM SH	+
CPU+/6601*	+ MM/LC	+ MM/LC	-	-	+
CPU+/9201	+ SM SH	+ RJ45	-	-	+
CPU+/9291	+ SM SH	+ RJ45	-	+ SM SH	+
CPU+/9501	+ SM SH	-	+ Galv. RS485/422	-	+
CPU+/9901	+ SM SH	+ SM SH	-	-	+
CPU+/A001*	+ MM/LC PRP/HSR	-	-	-	+
CPU+/A004	+ MM/LC PRP/HSR	-	-	-	+
CPU+/A011	+ MM/LC PRP/HSR	-	-	+ MM	+
CPU+/A081	+ MM/LC PRP/HSR	-	-	+ SM LH	+
CPU+/A091	+ MM/LC PRP/HSR	-	-	+ SM SH	+
CPU+/A094	+ MM/LC PRP/HSR	-	-	+ SM SH	+

*Note: the modules can be equipped with a different handle (narrower and made of aluminum, instead of the standard plastic), if the other modules of the device are equipped with top-screw terminals (see Chapter 20.2). In these cases, a "T" letter appears on the label of the module (e.g. CPU+/1201T), but all other properties remain the same.

For legacy CPU cards (e.g. CPU+0001, ...) see [Product availability](#) chapter.

PRP/HSR option: A and F types can be ordered with PRP/HSR communication as sw option **Legend for CPU version table:**

MM: Multimode with ST connector	GS: Glass with ST connector
MM/LC: Multimode with LC connector	SFP: Small Form-factor Pluggable connector
SM: Single mode with FC/PC connector	SB: Station Bus
LH: Long Haul with FC/PC connector	SBW: Station Bus Working
SH: Short Haul with FC/PC connector	SBR: Station Bus Redundant
POF: Plastic Optical Fiber with 1 mm fiber connector	PB: Proprietary Process Bus

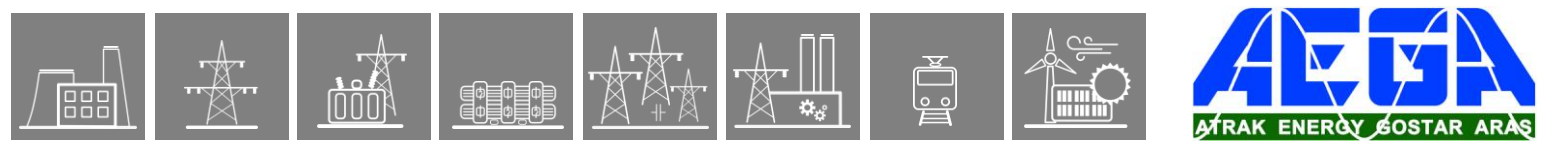
CPU+ 0007	CPU+ 0091	CPU+ 0201	CPU+ 0211	CPU+ 0281	CPU+ 0291	CPU+ 0301	CPU+ 0401	CPU+ 0501	CPU+ 1001	CPU+ 1004
									MM/ST	MM/ST
									Tx SB Rx	Tx SB Rx
		RJ-45	RJ-45	RJ-45	RJ-45	POF Tx Rx	GS/ST Tx ASIF Rx	Tx+ Tx- GND Rx- Rx+		
	SM SH FCPC Tx PB Rx		MM/ST Tx PB Rx	SM LH FCPC Tx PB Rx	SM SH FCPC Tx PB Rx			1 2 3 4 5		
CPU+ 1011	CPU+ 1091	CPU+ 1101	CPU+ 1111	CPU+ 1181	CPU+ 1191	CPU+ 1201	CPU+ 1202	CPU+ 1211	CPU+ 1281	CPU+ 1291
MM/ST	MM/ST	MM/ST	MM/ST	MM/ST	MM/ST	MM/ST	MM/ST	MM/ST	MM/ST	MM/ST
Tx SB Rx	Tx SB Rx	Tx SBW Rx	Tx SBW Rx	Tx SBW Rx	Tx SBW Rx	Tx SB Rx	Tx SBW Rx	Tx SB Rx	Tx SB Rx	Tx SB Rx
		MM/ST	MM/ST	MM/ST	MM/ST	RJ-45	RJ-45	RJ-45	RJ-45	RJ-45
MM/ST	SM SH FCPC		MM/ST	SM LH FCPC	SM SH FCPC			MM/ST	SM LH FCPC	SM SH FCPC
Tx PB Rx	Tx PB Rx	Tx SBR Rx	Tx SBR Rx	Tx SBR Rx	Tx SBR Rx			Tx PB Rx	Tx PB Rx	Tx PB Rx
CPU+ 1292	CPU+ 1301	CPU+ 1311	CPU+ 1331	CPU+ 1381	CPU+ 1391	CPU+ 1401	CPU+ 1411	CPU+ 1481	CPU+ 1491	CPU+ 1501
MM/ST	MM/ST	MM/ST	MM/ST	MM/ST	MM/ST	MM/ST	MM/ST	MM/ST	MM/ST	MM/ST
Tx SBW Rx	Tx SB Rx	Tx SB Rx	Tx SB Rx	Tx SB Rx	Tx SB Rx	Tx SB Rx	Tx SB Rx	Tx SB Rx	Tx SB Rx	Tx SB Rx
RJ-45	POF	POF	POF1	POF	POF	GS/ST	GS/ST	GS/ST	GS/ST	Tx+ Tx- GND Rx- Rx+
	Tx Rx	Tx Rx	Tx Rx	Tx Rx	Tx Rx	Tx ASIF Rx	Tx ASIF Rx	Tx ASIF Rx	Tx ASIF Rx	1 2 3 4 5
SM SH FCPC		MM/ST	POF2	SM LH FCPC	SM SH FCPC		MM/ST	SM LH FCPC	SM SH FCPC	
Tx PB Rx		Tx PB Rx	Tx Rx	Tx PB Rx	Tx PB Rx		Tx PB Rx	Tx PB Rx	Tx PB Rx	

CPU+ 1511	CPU+ 1581	CPU+ 1611	CPU+ 1681	CPU+ 6001	CPU+ 6004	CPU+ 6093	CPU+ 6094	CPU+ 6601	CPU+ 9201	CPU+ 9291
MM/ST	MM/ST	MM/ST	MM/ST	MM/LC	MM/LC	MM/LC	MM/LC	MM/LC	SM SH FCPC	SM SH FCPC
Tx	Tx	Tx	Tx	Rx	Rx	Rx	Rx	Rx	Tx	Tx
SB	SB	SB	SB						SB	SB
Rx	Rx	Rx	Rx						Rx	Rx
Tx+ 1	Tx+ 1	-	-					MM/LC		
Tx- 2	Tx- 2	-	-					Rx	RJ-45	RJ-45
GND 3	GND 3	GND 3	GND 3							
Rx- 4	Rx- 4	Sy- 4	Sy- 4							
Rx+ 5	Rx+ 5	Sy+ 5	Sy+ 5							
MM/ST	SM LH FCPC	MM/ST	SM LH FCPC			SM SH FCPC	SM SH FCPC			SM SH FCPC
Tx	Tx	Tx	Tx			Tx	Tx			Tx
PB	PB	PB	PB			PB	PB			PB
Rx	Rx	Rx	Rx			Rx	Rx			Rx
CPU+ 9501	CPU+ 9901	CPU+ A001	CPU+ A004	CPU+ A011	CPU+ A081	CPU+ A091	CPU+ A094			
SM SH FCPC	SM SH FCPC	PRP/HSR MM/LC	PRP/HSR MM/LC	PRP/HSR MM/LC	PRP/HSR MM/LC	PRP/HSR MM/LC	PRP/HSR MM/LC			
Tx	Tx	Rx	Rx	Rx	Rx	Rx	Rx			
SB	PB	LAN A	LAN A	LAN A	LAN A	LAN A	LAN A			
Rx	Rx	LAN B	LAN B	LAN B	LAN B	LAN B	LAN B			
Tx+ 1	SM SH FCPC	A	A	A	A	A	A			
Tx- 2	Tx	B	B	B	B	B	B			
GND 3	PB	I	I	I	I	I	I			
Rx- 4	Rx	LINK/ACT	LINK/ACT	LINK/ACT	LINK/ACT	LINK/ACT	LINK/ACT			
Rx+ 5	Rx									
				MM/ST	SM LH FCPC	SM SH FCPC	SM SH FCPC			SM SH FCPC
				Tx	Tx	Tx	Tx			Tx
				PB	PB	PB	PB			PB
				Rx	Rx	Rx	Rx			Rx

Figure 2-1 CPU versions

Interface types:

- 100Base-FX Ethernet:
 - MM/ST 1300 nm, 50/62.5/125 μm connector, (up to 2 km) fiber
 - SM/FC 1550 nm, 9/125 μm connector, (LH: long haul, up to 120 km)
 - SM/FC 1550 nm, 9/125 μm connector, (SH: short haul, up to 50 km)
 - MM/LC 1300 nm, 50/62.5/125 μm connector, (up to 2 km) fiber
- 10/100 Base-TX Ethernet: RJ-45-8/8
- Service port on HMI:
 - 10/100 Base-T Ethernet: RJ-45-8/8
 - EOB2 interface: attachable to the front panel by a proprietary magnetic connector; the connector box ends in a RJ-45 8/8 plug. It is 10Base-T full duplex interface, and it enables 10/100Base TX communication with service computers.
- ASIF: Asynchronous Serial Interface
 - plastic optical fiber (ASIF-POF)
 - glass with ST connector (ASIF-GS)
 - galvanic RS485/422 (ASIF-G)



1.3.4.2. COM modules

The COM+ modules are responsible for special communication tasks, these are the following:

- binary signal transmission
- line differential protection communication via Ethernet or telecommunication networks
- busbar differential protection communication
- multi-port Ethernet switch using MODBUS/TCP protocol for Remote I/O (RIO) servers

1.3.4.2.1. COM modules for binary signal transmission

MODULE TYPE	INTERFACE TYPE	NUMBER OF INTERFACES	UNIT WIDTH	APPLICATION
COM+/1801*	MM/ST 1300 nm, 50/62.5/125 µm and SM/FC 1550 nm, 9/125 µm connector, 100Base-FX Ethernet	2	4 HP	Line differential protection, binary signal transmission up to 2 km and up to 120 km
COM+/1901*	MM/ST 1300 nm, 50/62.5/125 µm and SM/FC 1550 nm, 9/125 µm connector, 100Base-FX Ethernet	2	4 HP	Line differential protection, binary signal transmission up to 2 km and up to 50 km
COM+/8882	SM/FC 1550 nm, 9/125 µm connector, 100Base-FX Ethernet	3	4 HP	3 direction binary signal transmission up to 120 km
COM+/9902	SM/FC 1550 nm, 9/125 µm connector, 100Base-FX Ethernet	2	4 HP	2 direction binary signal transmission up to 50 km
COM+/9992	SM/FC 1550 nm, 9/125 µm connector, 100Base-FX Ethernet	3	4 HP	3 direction binary signal transmission up to 50 km

*Note: the modules can be equipped with a different handle (narrower and made of aluminum, instead of the standard plastic), if the other modules of the device are equipped with top-screw terminals (see Chapter 20.2). In these cases, a "T" letter appears on the label of the module (e.g. **COM+/1801T**), but all other properties remain the same

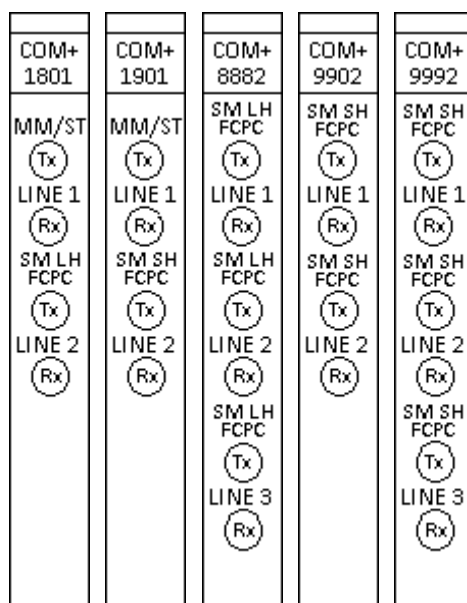


Figure 2-2 COM modules for binary signal transmission

1.3.4.2.2. COM modules for line differential communication

MODULE TYPE	INTERFACE TYPE	NUMBER OF INTERFACES	UNIT WIDTH	APPLICATION
COM+/0091	G703.1 (64 kbit/s)	1	4 HP	Line differential protection via telecom network
COM+/1101	MM/ST 1300 nm, 50/62.5/125 μm connector, 100Base-FX Ethernet	2	4 HP	3 terminals / redundant line differential protection up to 2 km
COM+/1801*	MM/ST 1300 nm, 50/62.5/125 μm and SM/FC 1550 nm, 9/125 μm connector, 100Base-FX Ethernet	2	4 HP	3 terminals / redundant line differential protection up to 2 km and up to 120 km
COM+/1901*	MM/ST 1300 nm, 50/62.5/125 μm and SM/FC 1550 nm, 9/125 μm connector, 100Base-FX Ethernet	2	4 HP	3 terminals / redundant line differential protection up to 2 km and up to 50 km
COM+/8801	SM/FC 1550 nm, 9/125 μm connector, 100Base-FX Ethernet	2	4 HP	3 terminals / redundant line differential protection up to 120 km
COM+/9901	SM/FC 1550 nm, 9/125 μm connector, 100Base-FX Ethernet	2	4 HP	3 terminals / redundant line differential protection up to 50 km

*Note: the modules can be equipped with a different handle (narrower and made of aluminum, instead of the standard plastic), if the other modules of the device are equipped with top-screw terminals (see Chapter 20.2). In these cases, a "T" letter appears on the label of the module (e.g. **COM+/1801T**), but all other properties remain the same

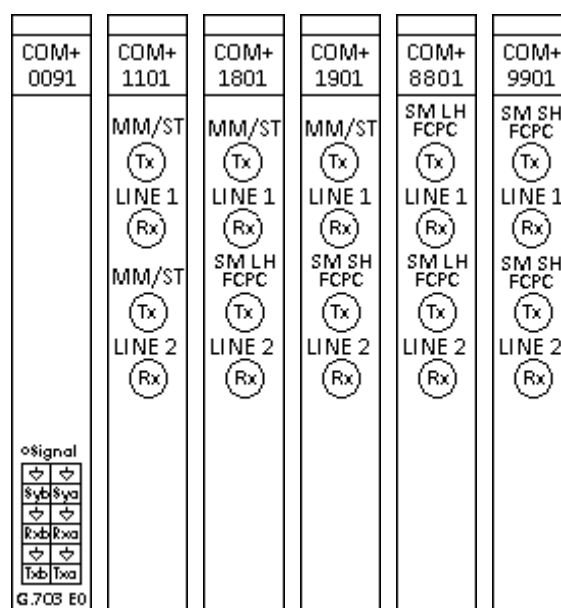


Figure 2-3 COM modules for line differential applications

1.3.4.2.3. COM modules for busbar differential protection communication

MODULE TYPE	INTERFACE TYPE	NUMBER OF INTERFACES	UNIT WIDTH	APPLICATION
COM+/1111	MM/ST 1300 nm, 50/62.5/125 μ m connector, 100Base-FX Ethernet	3	4 HP	Busbar protection for 3 bay units up to 2 km
COM+/1111D	MM/ST 1300 nm, 50/62.5/125 μ m connector, 100Base-FX Ethernet	3	4 HP	Busbar protection for 3x2 bay units (dual) up to 2 km

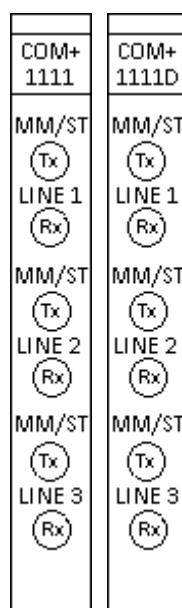


Figure 2-4 COM modules for busbar differential protections

1.3.4.2.4. COM modules for Remote I/O (RIO) servers

MODULE TYPE	INTERFACE TYPE	NUMBER OF INTERFACES	UNIT WIDTH	APPLICATION
COM+/1202*	MM/LC 1300 nm, 50/62.5/125 µm connector, 100Base-FX Ethernet	2	8 HP	2-port Ethernet switch for MODBUS via RIO
COM+/1324*	MM/LC 1300 nm, 50/62.5/125 µm connector, 100Base-FX Ethernet	4	8 HP	4-port Ethernet switch for MODBUS via RIO
COM+/1335	MM/LC 1300 nm, 50/62.5/125 µm connector, 100Base-FX Ethernet	5	8 HP	5-port Ethernet switch for MODBUS via RIO
COM+/6603	MM/LC 1300 nm, 50/62.5/125 µm connector, 100Base-FX Ethernet	2	4 HP	2-port Ethernet switch for MODBUS via RIO
COM+/6663	MM/LC 1300 nm, 50/62.5/125 µm connector, 100Base-FX Ethernet	3	4 HP	3-port Ethernet switch for MODBUS via RIO

***Obsolete module. These modules are not recommended for new designs!**

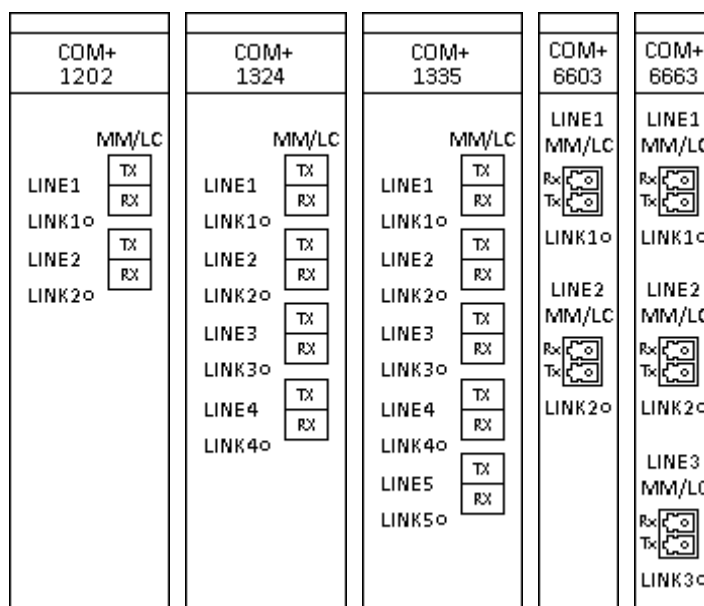


Figure 2-5 COM modules for RIO servers

1.3.4.3. Communication interface characteristics

1.3.4.3.1. Ethernet multi-mode transmitter and receiver

1.3.4.3.1.1. MM/ST connector

Up to approximately 2 km.

Transmitter

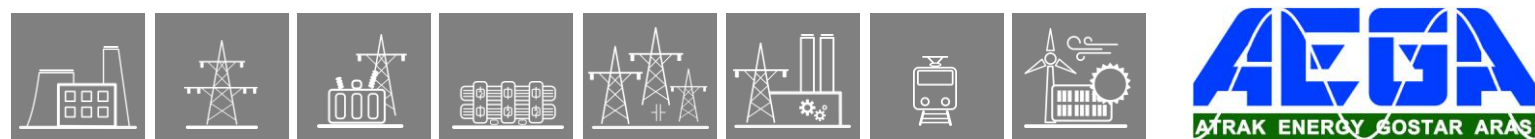
PARAMETER	SYMBOL	MIN.	TYP.	MAX.	UNIT
OPTICAL OUTPUT POWER 62.5/125 μm , NA = 0.275 FIBER	P_O	BOL*: -19 EOL*: -20	-	-14	dBm avg.
OUTPUT OPTICAL POWER 50/125 μm , NA = 0.20 FIBER	P_O	BOL*: -22.5 EOL*: -23.5	-	-14	dBm avg.
OPTICAL EXTINCTION RATIO	ER	-	-	10 -10	% dB
CENTER WAVELENGTH	λ_C	1270	1308	1380	nm

* BOL: Beginning of life, EOL: End of life

Note: according to field experiences, the 62.5/125 μm cabling is recommended for applications where the center wavelength is 1300/1310 nm.

Receiver sensitivity is measured with $2^{23} - 1$ PRBS pattern within BER = 2.5×10^{-10}

PARAMETER	SYMBOL	MIN.	TYP.	MAX.	UNIT
SIGNAL DETECT - ASSERTED	P_A	$P_D + 1.5$ dB	-	-33	dBm avg.
SIGNAL DETECT - DEASSERTED	P_D	-45	-	-	dBm avg.
SIGNAL DETECT - HYSTERESIS	$P_A - P_D$	1.5	-	-	dB
SIGNAL DETECT ASSERT TIME (OFF TO ON)	AS_Max	0	2	100	μs
SIGNAL DETECT DEASSERT TIME (ON TO OFF)	ANS_Max	0	8	350	μs



1.3.4.3.1.2. MM/LC connector

Up to approximately 2 km.

Transmitter

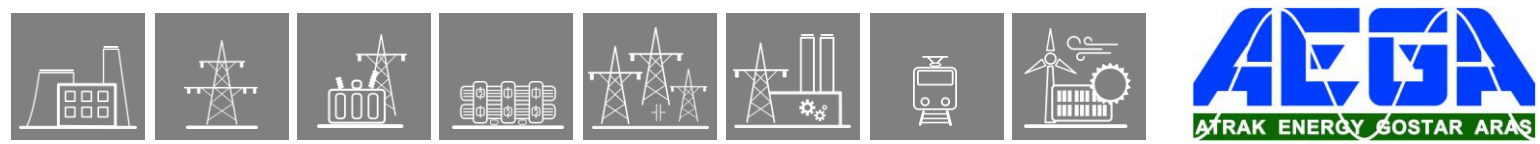
PARAMETER	SYMBOL	MIN.	TYP.	MAX.	UNIT
OPTICAL OUTPUT POWER** 62.5/125 μm , NA = 0.275 FIBER	P_o	BOL*: -19 EOL*: -20	-15.7	-14	dBm avg.
OUTPUT OPTICAL POWER 50/125 μm , NA = 0.20 FIBER	P_o	BOL*: -22.5 EOL*: -23.5	-	-14	dBm avg.
OPTICAL EXTINCTION RATIO	ER	-	0.002 -47	0.2 -27	% dB
CENTER WAVELENGTH	λ_c	1270	1308	1380	nm

* BOL: Beginning of life, EOL: End of life

Note: according to field experiences, the 62.5/125 μm cabling is recommended for applications where the center wavelength is 1300/1310 nm.

Receiver sensitivity is measured with $2^{23} - 1$ PRBS pattern within BER = 2.5×10^{-10}

PARAMETER	SYMBOL	MIN.	TYP.	MAX.	UNIT
SIGNAL DETECT - ASSERTED	P_A	$P_D + 1.5 \text{ dB}$	-	-33	dBm avg.
SIGNAL DETECT - DEASSERTED	P_D	-45	-	-	dBm avg.
SIGNAL DETECT - HYSTERESIS	$P_A - P_D$	1.5	-	-	dB
SIGNAL DETECT ASSERT TIME (OFF TO ON)	AS_Max	0	2	100	μs
SIGNAL DETECT DEASSERT TIME (ON TO OFF)	ANS_Max	0	5	100	μs



1.3.4.3.2. Ethernet single mode transmitter and receiver

1.3.4.3.2.1. Long haul single mode transceiver

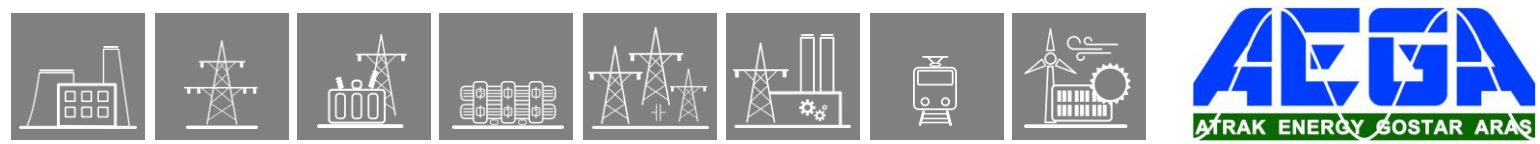
Up to approximately 120 km, with max. 32 dB link attenuation.

Transmitter

PARAMETER	SYMBOL	MIN.	TYP.	MAX.	UNIT
OPTICAL OUTPUT POWER	P_O	-6	-	0	dBm avg.
OPTICAL EXTINCTION RATIO	ER	8.3	-	-	dB
CENTER WAVELENGTH	λ_C	1490	1550	1610	nm

Receiver sensitivity is measured with $2^{23} - 1$ PRBS pattern within $BER = 2.5 \times 10^{-10}$

PARAMETER	SYMBOL	MIN.	TYP.	MAX.	UNIT
OPTICAL INPUT SENSITIVITY	P_{IN}	-	-38	-35	dBm avg.
SATURATION	P_{SAT}	-3	0	-	dBm
CENTER WAVELENGTH	λ_C	1100	-	1600	nm
SIGNAL DETECT - ASSERTED	P_A	-	-	-35	dBm avg.
SIGNAL DETECT - DEASSERTED	P_D	-45	-	-	dBm avg.
HYSTERESIS	P_{HYS}	-	3	-	dB



1.3.4.3.2.2. Short haul single mode transceiver

Up to approximately 50 km, with max. 27 dB link attenuation.

Transmitter

PARAMETER	SYMBOL	MIN.	TYP.	MAX.	UNIT
OPTICAL OUTPUT POWER	P_O	-12	-	-6	dBm avg.
OPTICAL EXTINCTION RATIO	ER	8.3	-	-	dB
CENTER WAVELENGTH	λ_C	1490	1550	1610	nm

Receiver sensitivity is measured with $2^{23} - 1$ PRBS pattern within $BER = 2.5 \times 10^{-10}$

PARAMETER	SYMBOL	MIN.	TYP.	MAX.	UNIT
OPTICAL INPUT SENSITIVITY	P_{IN}	-	-38	-35	dBm avg.
SATURATION	P_{SAT}	-3	0	-	dBm
CENTER WAVELENGTH	λ	1100	-	1600	nm
SIGNAL DETECT - ASSERTED	P_A	-	-	-35	dBm avg.
SIGNAL DETECT - DEASSERTED	P_D	-45	-	-	dBm avg.
HYSTERESIS	P_{HYS}	-	3	-	dB

1.3.4.3.3. ASIF-O transmitter and receiver

1.3.4.3.3.1. ASIF-O POF

Transmitter

PARAMETER	SYMBOL	MIN.	TYP.	MAX.	UNIT	JUMPER SETTINGS
TRANSMITTER OUTPUT OPTICAL POWER	P_T	-15.3	-	-9	dBm	JP1 2-3
		-23.3	-	-17		JP1 1-2
PEAK EMISSION WAVELENGTH	λ_{PK}	-	660	-	nm	
EFFECTIVE DIAMETER	D	-	1	-	mm	
NUMERICAL APERTURE	NA	-	0.5	-		

Receiver

PARAMETER	SYMBOL	MIN.	TYP.	MAX.	UNIT
INPUT OPTICAL POWER LEVEL LOGIC 0	$P_{R(L)}$	-39	-	-13.7	dBm
INPUT OPTICAL POWER LEVEL LOGIC 1	$P_{R(H)}$	-	-	-53	dBm
EFFECTIVE DIAMETER	D	-	1	-	mm
NUMERICAL APERTURE	NA	-	0.5	-	

These characteristics are valid for both POF interfaces in CPU+1331 module.

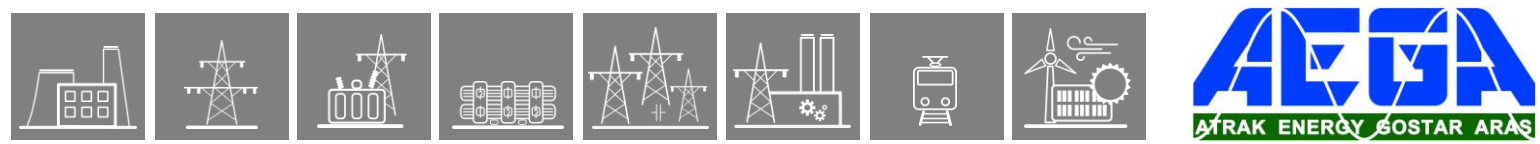
1.3.4.3.3.2. ASIF-O GLASS

Transmitter (Output measured out of 1 meter of cable)

PARAMETER	SYMBOL	MIN.	TYP.	MAX.	UNIT	JUMPER SETTINGS
50/125 μm FIBER CABLE NA = 0.2	P_o	-19.4	-16.4	-14.4	dBm peak	JP1 2-3
		-28.9	-25.9	-23.9		JP1 1-2
62.5/125 μm FIBER CABLE NA = 0.275	P_o	-15.6	-12.6	-10.6	dBm peak	JP1 2-3
		-22.9	-19.9	-17.9		JP1 1-2

Receiver

PARAMETER	SYMBOL	MIN.	TYP.	MAX.	UNIT
PEAK OPTICAL INPUT POWER LOGIC LEVEL HIGH ($\lambda_P = 820 \text{ nm}$)	P_{RH}	-25.4	-	-9.2	dBm peak
PEAK OPTICAL INPUT POWER LOGIC LEVEL LOW	P_{RL}	-	-	-40	dBm peak



1.3.4.3.4. ASIF-G transmitter and receiver

The RS422/RS485 interfaces of our CPU+1501, CPU+1511, CPU+1581, CPU+9501 modules provide galvanic interface to support legacy or other serial protocols. For more details see our RS485/422 application note, available on our homepage.

Transmitter

PARAMETER	SYMBOL	MIN.	TYP.	MAX.	UNIT
DIFFERENTIAL OUTPUT VOLTAGE (LOADED, $R_L = 100 \Omega$, RS422)	V_{OD2}	2	-	3.6	V
DIFFERENTIAL OUTPUT VOLTAGE (LOADED, $R_L = 54 \Omega$, RS485)	V_{OD2}	1.5	-	3.6	V

Receiver

PARAMETER	SYMBOL	MIN.	TYP.	MAX.	UNIT
DIFFERENTIAL INPUT THRESHOLD VOLTAGE	V_{TH}	-200	-125	-30	mV
INPUT VOLTAGE HYSTERESIS	V_{HYS}	-	15	-	mV
LINE INPUT RESISTANCE	R_{IN}	96	-	-	k Ω

1.3.4.3.5.1. PRP/HSR redundant Ethernet communication interface

The PRP/HSR redundant Ethernet communication interface supports the two new IEC 62439-3 protocols which provide seamless redundancy for Ethernet networking in substations with zero-time recovery in case of a single failure without frame loss:

- PRP – Parallel Redundancy Protocol (IEC 62439-3 Clause 4)
- HSR – High-availability Seamless Redundancy (IEC 62439-3 Clause 5)

This interface uses two MM/LC connectors for double connection to networks as these protocols are based on the duplication of the sent frames.

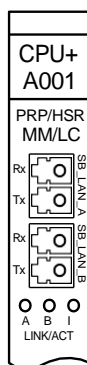


Figure 2-6 PRP/HSR connectors on a CPU+A001 module

1.3.4.3.5.2. Parallel Redundancy Protocol (PRP)

This redundancy protocol implements redundancy in the nodes as they are connected to two independent networks (LAN_A and LAN_B) sending a copy of each frame to both directions. The destination node receives and processes the first copy and discards the other copy of the sent frame.

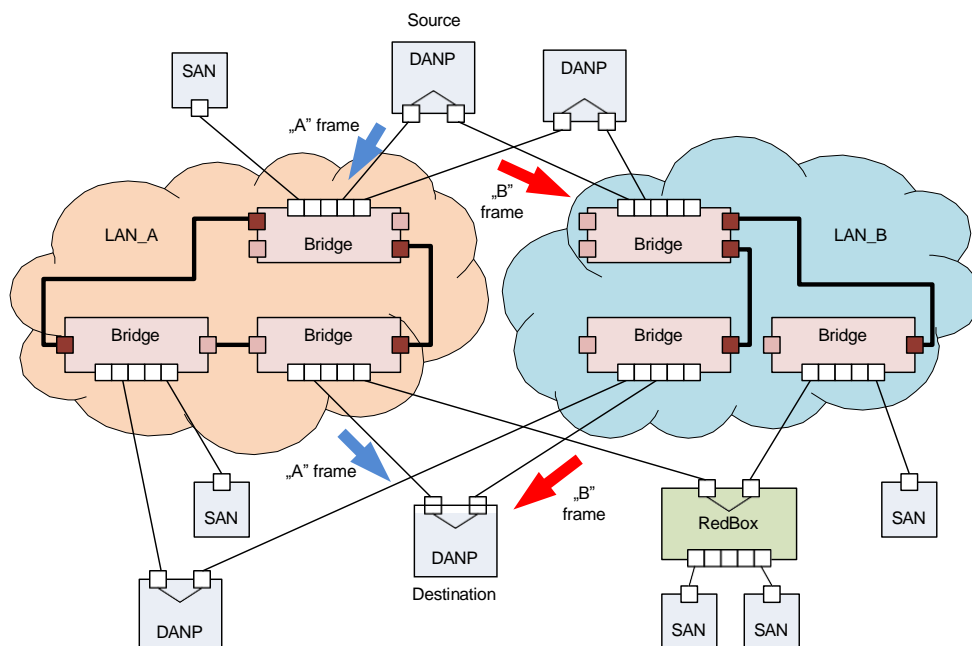


Figure 2-7 Example of a PRP redundant network

Single attached node (SAN): Network device that connects to a network with only one port.

Double attached node implementing PRP (DANP): Network device which connects to a network with two ports implementing PRP redundancy.

1.3.4.3.5.3. High-availability Seamless Redundancy (HSR)

An HSR network provides redundancy with the same safety as PRP does with a lower cost. The principle of this protocol is also based on the duplication of the sent frames but in this solution the nodes are connected to a closed ring. A source node sends two copy of a frame to both direction and the destination node accepts the first received copy and discards the other one. If a frame returns to its source the node does not let it through itself prevent the possibility of an overload of the ring.

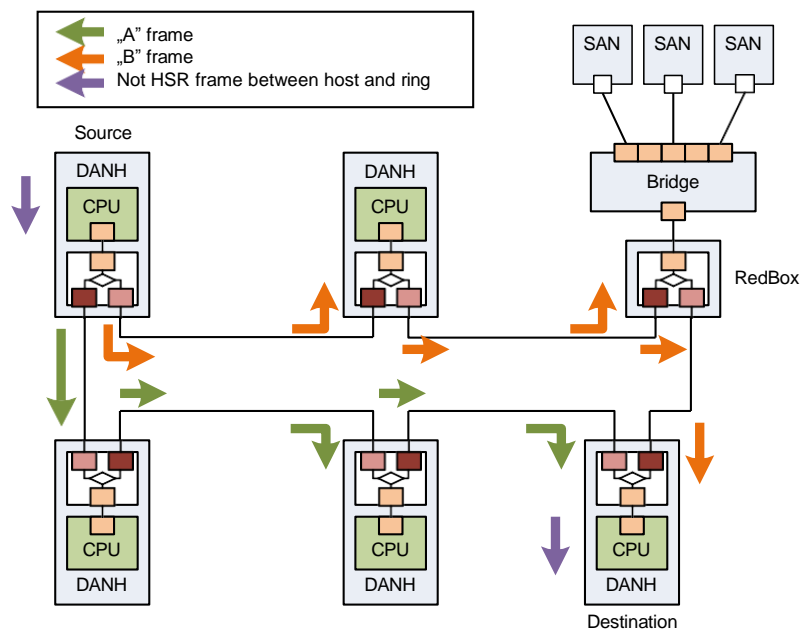
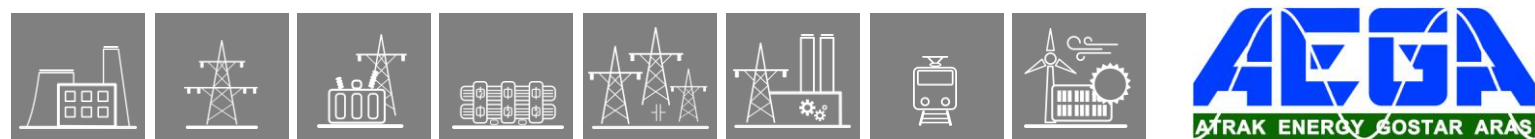


Figure 2-8 Example of an HSR redundant network

Single attached node (SAN): Network device that connects to a network with only one port.

Double attached node implementing HSR (DANH): Network device which connects to a network with two ports implementing HSR redundancy.



1.3.5. Device housings

Three+one versions are available: one is 84 HP wide with 21 module slots, the 42 HP wide, which supports 10 module slots, the double 42 HP wide with 20 module slots, and finally the 24 HP, which supports 6 module slots.

Depending on the installed modules of the configuration, the top and bottom panels of the 84 HP and 42 HP racks can be either solid (default) or perforated by 2 mm holes to prevent overheating. 24 HP housings do not have this feature, as the S24 system is less flexible, their range of the optional modules are narrower.

RACK CONFIGURATION	FREE MODULE SLOTS*	BOTTOM AND TOP PANELS	DISPLAY OPTIONS
84 HP, SINGLE RACK (3 U)	20	Solid, Perforated	3.5" TFT, 5.7" TFT
42 HP, SINGLE RACK (3 U)	9	Solid, Perforated	3.5" TFT, 5.7" TFT
42 HP, DOUBLE RACK (6 U)	19	Solid, Perforated	3.5" TFT
24 HP, PANEL INSTRUMENT CASE	5	Solid	B/W alphanumeric 3.5" TFT

**CPU module is mandatory, it uses up one fixed position*







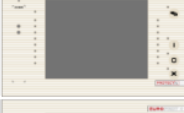

Previously, a new rack type has been introduced to the 42HP devices. As of April 2021. this type is introduced to the 84HP devices as well. The depth of the box has been reduced from 242 mm to 223 mm. By default, this reduced-depth housing shall be used for newly manufactured devices. For more information about the previous and new size, see Chapter [22.1](#).

1.3.6. Human-Machine Interface (HMI) module

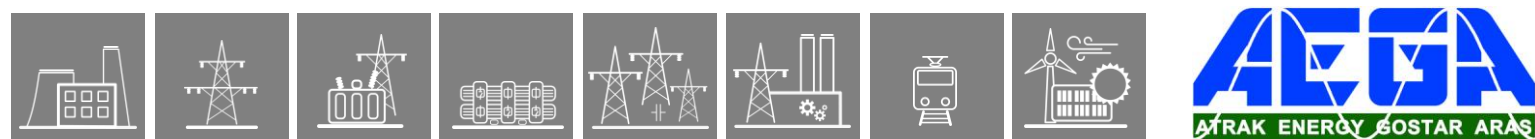
The EuroProt+ device HMI consists of the following two main parts:

- Hardware: the HMI module, which is the front panel of the device, this is described here
- Software: the embedded web server and the menu system that is accessible through the HMI module. The web server is accessible via station bus, EOB interface or RJ-45 Ethernet connector. This is described in detail in the [Operating Manual](#) (external document).

1.3.6.1. Local HMI modules

MODULE TYPE	DISPLAY	SERVICE PORT	RACK SIZE	RACK DEPTH	ILLUSTRATION
HMI+/3505 HMI+/3405*	3,5" TFT	EOB	42 HP	Reduced	
			84 HP		
HMI+/3506 HMI+/3406* HMI+/3404*	3,5" TFT	RJ-45	42 HP	Reduced	
			Double 42HP		
			84 HP		
HMI+/5005	5,7" TFT	EOB	42 HP	Reduced	
HMI+/5006 HMI+/5004*	5,7" TFT	RJ-45	42 HP	Reduced	
			Double 42 HP		n/a
HMI+/5706 HMI+/5704*	5,7" TFT	RJ-45	84 HP	Reduced	

*new display hardware requires CDSP firmware version 1560-H5 or higher!



The following modules were made for the previous (now obsolete) racks (see Chapter 22.1), so they can be found in numerous devices. These became obsolete as well, **they are not recommended for new designs!**

MODULE TYPE	DISPLAY	SERVICE PORT	RACK SIZE	RACK DEPTH	ILLUSTRATION
HMI+/3501	3,5" TFT	EOB	42 HP	Normal	
			84 HP		
HMI+/3502	3,5" TFT	RJ-45	42 HP	Normal	
			84 HP		
HMI+/5001	5,7" TFT	EOB	42 HP	Normal	
HMI+/5002	5,7" TFT	RJ-45	42 HP	Normal	
HMI+/5701	5,7" TFT	EOB	84 HP	Normal	
HMI+/5702	5,7" TFT	RJ-45	84 HP	Normal	

1.3.6.2. Remote HMI

Protecta provides an alternative solution in that case if the IED can be only mounted in a non-practical way for managing the device via usual Human-Machine Interface.

By using a remote HMI (*terminal HMI device*), customers can place the HMI up to 3 meters far from the IED itself (*host device*) and mount the IED in any possible way that is applicable. The connection between the remote HMI and the IED is provided by a custom galvanic interface with DA-15 connector on the remote side.



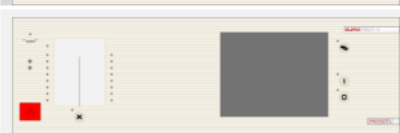
Depending on the size of the HMI module you can use any applicable mounting methods that described in the [Mounting methods](#) chapter (Flush mounting, Semi-flush mounting, Rack mounting).

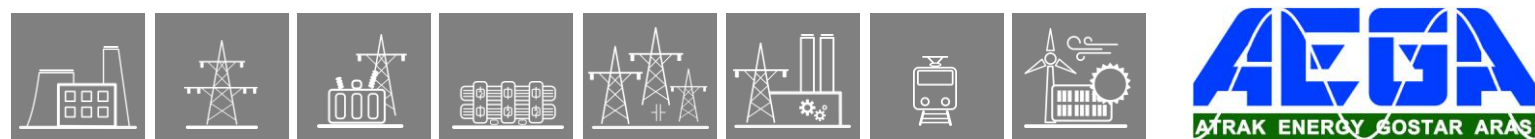


Figure 4-1 42 HP Remote HMI



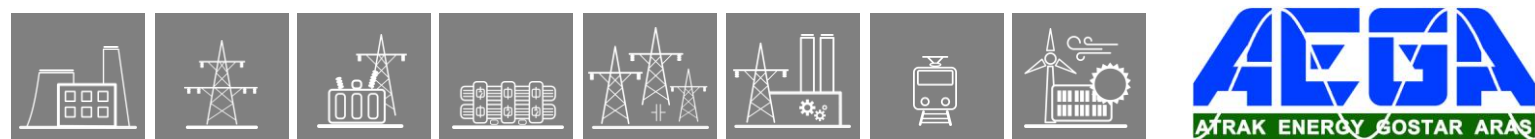
Figure 4-2 Remote HMI module with its host device

MODULE TYPE	DISPLAY	SERVICE PORT	RACK SIZE	RACK DEPTH	ILLUSTRATION
HMIT+/3505	3,5" TFT	EOB	42 HP	Reduced	
			84 HP		
HMIT+/3506	3,5" TFT	RJ-45	42 HP	Reduced	
			84 HP		
HMIT+/5706	5,7" TFT	RJ-45	84 HP	Reduced	



The following modules were made for the previous (now obsolete) racks (see Chapter 22.1), so they can be found in numerous devices. These became obsolete as well, **they are not recommended for new designs!**

MODULE TYPE	DISPLAY	SERVICE PORT	RACK SIZE	RACK DEPTH	ILLUSTRATION
HMIT+/3501	3,5" TFT	EOB	42 HP	Normal	
			84 HP		
HMIT+/3502	3,5" TFT	RJ-45	42 HP	Normal	
			84 HP		
HMIT+/5702	5,7" TFT	RJ-45	84 HP	Normal	



1.3.6.4. Parts of the HMI modules

The EuroProt+ device HMI on the front panel contains the following elements:

Function	Description
16 PIECES USER LEDs	Three-color, 3 mm circular LEDs
COM LED	Yellow, 3 mm circular LED indicating EOB/RJ-45 (on the front panel) communication link and activity
CAPACITIVE TOUCH KEY LEDs	4 pcs yellow, 3 mm circular LEDs indicating touch key actions
DEVICE STATUS LED	1 piece three-color, 3 mm circular LED Green: normal device operation Yellow: device is in warning state Red: device is in error state
DEVICE KEYS (I, O, X, PAGE)	Capacitive touch keys
	Tactile push buttons
BUZZER	Audible touch key pressure feedback
CHANGEABLE LED DESCRIPTION LABEL	Describes user LED functionality
DISPLAY	320 × 240 pixel TFT color display with resistive touchscreen interface (3.5" or optional 5.7")
	128 × 64 LCD black & white display
OPTICAL INTERFACE FOR FACTORY USAGE	For debugging and software development purposes <i>Only for 42 HP and 84 HP devices.</i>
EOB CONNECTOR	<p>Ethernet Over Board: communication interface accomplishes isolated, non-galvanic Ethernet connection with the help of a magnetically attached EOB device. The EOB device has an RJ-45 type connector supporting Ethernet connection to the user computer. This is a proprietary and patented solution from Protecta Ltd.</p> <p>EOB1: Supporting 10Base-T Ethernet connection. Passive device with one RJ45 type connector. Obsolete module.</p> <p>EOB2: Supporting 10/100Base-Tx Ethernet connection. An active device that has a USB port in addition to the RJ45 connector for powering up.</p>
ETHERNET SERVICE PORT	IP56 rated Ethernet 10/100-Base-T interface with RJ-45 type connector (IP56 only valid if the cap of the service port is closed.)

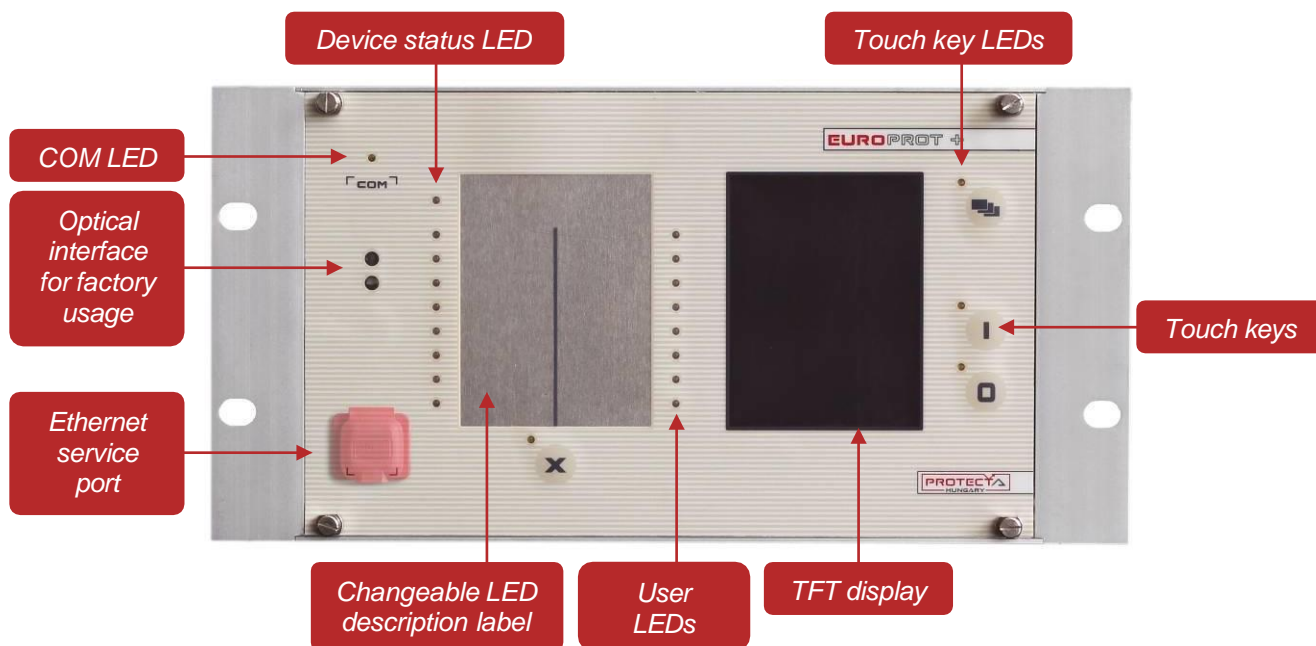


Figure 4–3 HMI signals and controls

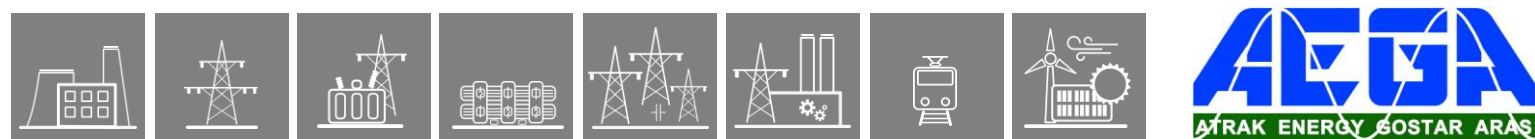
LCD dot-defect handling policy

The definitions of dot-defect are as below:

- The defect area of the dot must be bigger than half of a dot.
- For bright dot-defect (sparkle mode), showing black pattern, the dot's brightness must be over 30 % brighter than others at black raster.
- For dark dot-defect (black mode), showing white pattern, the dot's brightness must be under 70 % darker than others at R.G.B. raster.

DOT-DEFECT TYPE		MAXIMUM NUMBER ACCEPTABLE		
		3.5"	5.7"	
SPARKLE MODE	1 dot	4	4	
	2 dots	2 (sets)	1	
	IN TOTAL	4	5	
BLACK MODE	1 dot	4	5	
	2 dots	2 (sets)	2	
	IN TOTAL	4	5	
SPARKLE MODE AND BLACK MODE		2 dots	2 (sets)	n/a
IN TOTAL		6	10	

For further information please contact our Application Team. (application@protecta.hu)



1.3.7. Current input module

This is an input module with intermediate current transformers to input the phase currents and the zero-sequence current. The rated current for the phase current and for the zero-sequence current can be selectable by parameter.

Main features:

- Rated frequency: 50 Hz, 60 Hz
- *Electronic* iron-core flux compensation

Connector types:

- *The default and optionally available connector types are indicated for each module in the tables below. See Chapter 20.2 for details about each type.*

MODULE TYPE	CT+/0101		CT+/1111*		CT+/1155		CT+/1500	
CHANNEL NUMBER	1 – 4		1 – 4		1 – 4		1 – 3	
SELECTABLE RATED CURRENT, I_N [A]	0.04	0.2	1	5	1	5	1	5
MAX. MEASURED CURRENT ($\pm 10\%$)	$8 \times I_N$		$50 \times I_N$		$12.5 \times I_N$		$2 \times I_N$	
POWER CONSUMPTION AT RATED CURRENT [VA]	0.005	0.1	0.01	0.25	0.02	0.45	0.1	1.55
THERMAL WITHSTAND [A]								
CONTINUOUSLY	7		20		20		7	
10 s	50		175		120		50	
1 s	150		500		380		150	
10 ms	330		1200		850		330	
CONNECTOR TYPE	<u>Default:</u> STVS <u>Options:</u> -		<u>Default:</u> STVS <u>Options:</u> -		<u>Default:</u> STVS <u>Options:</u> -		<u>Default:</u> STVS <u>Options:</u> R	
RECOMMENDED APPLICATION	DEFL earth fault protection		Special disturbance recorder application in wider frequency range		Special protection applications where the overcurrent in the secondary circuit can not exceed $10 \times I_N$		General three-phase measurement	

***Obsolete module. These modules are not recommended for new designs!**

MODULE TYPE	CT+/1515*		CT+/2500*		CT+/5101			
CHANNEL NUMBER	1 – 4		1 – 3		1 – 3		4	
SELECTABLE RATED CURRENT, I_N [A]	1	5	1	5	1	5	0.2	1
MAX. MEASURED CURRENT ($\pm 10\%$)	$2 \times I_N$		$2 \times I_N$		$50 \times I_N$		$12.5 \times I_N$	
POWER CONSUMPTION AT RATED CURRENT [VA]	0.1	1.55	0.1	1.55	0.01	0.25	0.005	0.1
THERMAL WITHSTAND [A]								
CONTINUOUSLY	7		7		20		7	
10 s	50		50		175		50	
1 s	150		150		500		150	
10 ms	330		330		1200		330	
CONNECTOR TYPE	<u>Default:</u> STVS <u>Options:</u> -		<u>Default:</u> STVS <u>Options:</u> -		<u>Default:</u> STVS <u>Options:</u> -			
RECOMMENDED APPLICATION	Special disturbance recorder application		Generator protections		Extremely sensitive earth-fault applications			

***Obsolete module. These modules are not recommended for new designs!**

MODULE TYPE	CT+/5102				CT+/5111*			
CHANNEL NUMBER	1 – 3		4		1 – 3		4	
SELECTABLE RATED CURRENT, I_N [A]	1	5	0.2	1	1	5	0.001	0.005
MAX. MEASURED CURRENT ($\pm 10\%$)	$50 \times I_N$		$50 \times I_N$		$50 \times I_N$		$50 \times I_N$	
POWER CONSUMPTION AT RATED CURRENT [VA]	0.01	0.25	0.001	0.01	0.01	0.25	0.005	0.1
THERMAL WITHSTAND [A]								
CONTINUOUSLY	20		20		20		7	
10 s	175		120		175		50	
1 s	500		380		500		150	
10 ms	1200		850		1200		330	
CONNECTOR TYPE	<u>Default:</u> STVS <u>Options:</u> -				<u>Default:</u> STVS <u>Options:</u> R			
RECOMMENDED APPLICATION	Sensitive earth-fault applications				Sensitive earth-fault applications			

***Obsolete module. These modules are not recommended for new designs!**

MODULE TYPE	CT+5115		CT+5116		CT+/5151		CT+/5152	
CHANNEL NUMBER	1 – 4		1 – 3		1 – 4		1 – 4	
SELECTABLE RATED CURRENT, I_N [A]	1	5	1	5	1	5	1	5
MAX. MEASURED CURRENT ($\pm 10\%$)	$50 \times I_N$		$50 \times I_N$		$50 I_N$		$50 I_N$	
POWER CONSUMPTION AT RATED CURRENT [VA]	0.01	0.25	0.01	0.25	0.01	0.25	0.01	0.25
THERMAL WITHSTAND [A]								
CONTINUOUSLY	20		20		20		20	
10 s	175		175		175		175	
1 s	500		500		500		500	
10 ms	1200		1200		1200		1200	
CONNECTOR TYPE	<u>Default:</u> STVS <u>Options:</u> R		<u>Default:</u> STVS <u>Options:</u> -		<u>Default:</u> STVS <u>Options:</u> R		<u>Default:</u> STVS <u>Options:</u> R	
RECOMMENDED APPLICATION	<ul style="list-style-type: none"> General protection applications* Three-phase measurement* 		High-impedance differential protection		General protection applications		Busbar protection bay units	

*The CT+/5115 module handles both applications: it can be connected to the protection and measurement core of the primary CT as well

MODULE TYPE	CT+/5153					CT+/5154*				
CHANNEL NUMBER	1 – 3		4			1 – 3		4		
SELECTABLE RATED CURRENT, I_N [A]	1	5	1	0.2	0.2 sens.	1	5	5	1	0.2
MAX. MEASURED CURRENT ($\pm 10\%$)	$50 \times I_N$			$10 \times I_N$		$50 \times I_N$			$10 \times I_N$	
POWER CONSUMPTION AT RATED CURRENT [VA]	0.06	1.3	0.6	0.004	0.0004	0.06	1.3	1.3	0.06	0.004
THERMAL WITHSTAND [A]										
CONTINUOUSLY	20		7			20				
10 s	175		50			175				
1 s	500		150			500				
10 ms	1200		330			1200				
CONNECTOR TYPE	<u>Default:</u> STVS <u>Options:</u> R, T**					<u>Default:</u> STVS <u>Options:</u> R				
RECOMMENDED APPLICATION	General protection application, extremely sensitive transient earth-fault protections					General protection application, sensitive transient earth-fault protections				

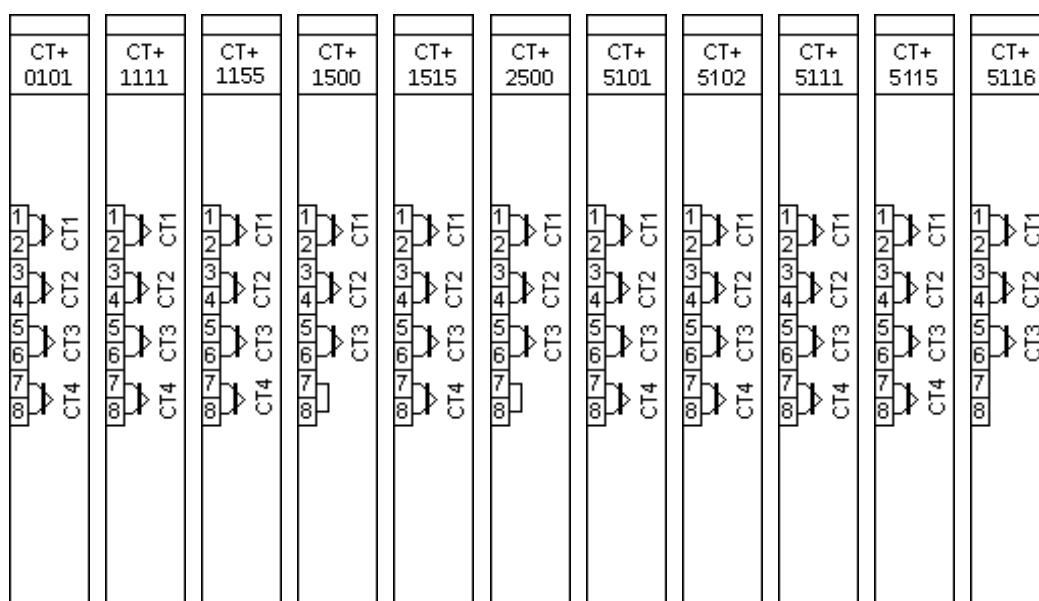
***Obsolete module. These modules are not recommended for new designs!**

**The connector remains the same STVS, only the handle of the module becomes narrower and will be made of aluminum

MODULE TYPE	CT+/5155*					CT+/5253**				
CHANNEL NUMBER	1 – 3		4			1 – 3		4		
SELECTABLE RATED CURRENT, I_N [A]	1	5	0.25	0.05	0.05 sens.	5	1	0.25	0.05	0.05 sens.
MAX. MEASURED CURRENT ($\pm 10\%$)	$50 \times I_N$			$10 \times I_N$		$25 \times I_N$				
POWER CONSUMPTION AT RATED CURRENT [VA]	0.06	1.3	0.6	0.004	0.0004	0.06	1.3	0.6	0.004	0.0004
THERMAL WITHSTAND [A]										
CONTINUOUSLY	20		7			20		7		
10 s	175		50			175		50		
1 s	500		150			500		150		
10 ms	1200		330			1200		330		
CONNECTOR TYPE	Default: STVS Options: -					Default: STVS Options: -				
RECOMMENDED APPLICATION	DMD Special sensitive earth fault protection					Circuit breaker diagnostics				

***Obsolete module. These modules are not recommended for new designs!**

****Special module**



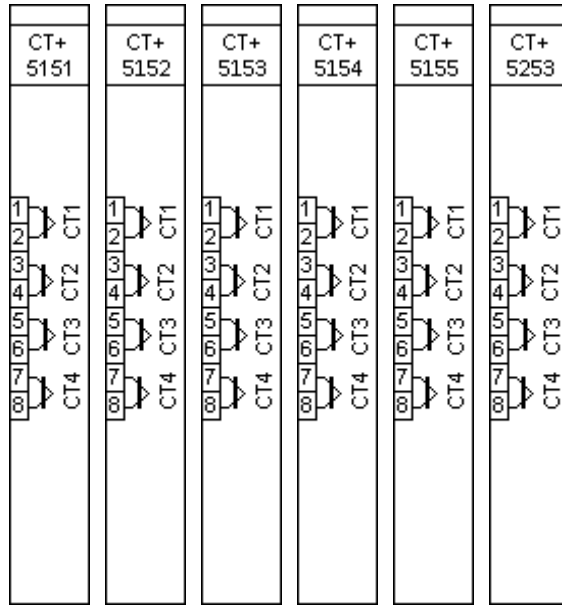
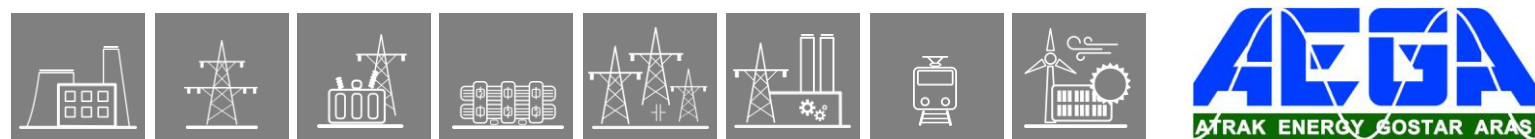


Figure 5-1 CT modules



1.3.8. Voltage input module

If the device performs voltage and/or frequency related functions and measurements (voltage protections, directional protections, frequency protections etc.), then this module is needed.

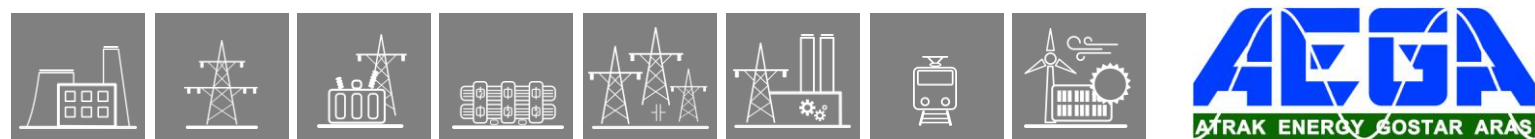
Connector types:

- The default and optionally available connector types are indicated for each module in the tables below. See Chapter 20.2 for details about each type.

MODULE TYPE	VT+/2211	VT+/2212*	VT+/2215**
CHANNEL NUMBER	4	4	4
SELECTABLE VOLTAGE RANGE	<u>Type 100:</u> $\frac{100}{\sqrt{3}}$, 100 V <u>Type 200:</u> $\frac{200}{\sqrt{3}}$, 200 V	<u>Type 100:</u> $\frac{100}{\sqrt{3}}$, 100 V <u>Type 200:</u> $\frac{200}{\sqrt{3}}$, 200 V	<u>Type 100:</u> $\frac{100}{\sqrt{3}}$, 100 V <u>Type 200:</u> $\frac{200}{\sqrt{3}}$, 200 V
CONTINUOUS VOLTAGE WITHSTAND	200 V	200 V	200 V
SHORT TIME OVERLOAD (1 s)	275 V (10s)	275 V	275 V
VOLTAGE MEASURING RANGE ($\pm 10\%$)	$0.05 U_N - 1.3 U_N$	$0.05 U_N - 1.3 U_N$	$0.05 U_N - 1.3 U_N$
POWER CONSUMPTION OF VOLTAGE INPUT	0.61 VA at 200 V 0.2 VA at 100 V	0.61 VA at 200 V 0.2 VA at 100 V	ch. 1-3: 0.61 VA at 200 V 0.2 VA at 100 V ch. 4: 50 mVA at 100 V
CONNECTOR TYPE	<u>Default:</u> BLA <u>Options:</u> F, T, R	<u>Default:</u> BLA <u>Options:</u> -	<u>Default:</u> BLA <u>Options:</u> -
RECOMMENDED APPLICATION	General protection applications.	Special disturbance recorder application in wider frequency range	Special protection applications with voltage transformers that require low power consumption on the 4 th channel.

***Obsolete module. These modules are not recommended for new designs!**

**Special module



1.3.9. Binary input module

The inputs are galvanic isolated, and the module converts high-voltage signals to the voltage level and format of the internal circuits. The inputs of this module can be also programmed to serve as a PPM input for time synchronization.

Connector types:

- The default and optionally available connector types are indicated for each module in the tables below. See Chapter 20.2 for details about each type.

Notes for the following tables:

- **Thermal withstand voltage:** continuous with 60 % of the input channels are energized.
- **Clamp voltage:** these are the guaranteed values; the actual ones might differ from those provided here (falling and rising around $0.66 U_N$ and $0.77 U_N$, respectively)

MODULE TYPE	O8+/2401	O8+/4801	O8+/1101	O8+/2201
CHANNEL NUMBER	8	8	8	8
TIME SYNCHRONIZATION	configured by EuroCAP	configured by EuroCAP	configured by EuroCAP	configured by EuroCAP
RATED VOLTAGE	24 V	48 V	110 V	220 V
THERMAL WITHSTAND VOLTAGE	72 V	100 V	250 V	320 V
CLAMP VOLTAGE	falling $0.64 U_N$ rising $0.8 U_N$	falling $0.64 U_N$ rising $0.8 U_N$	falling $0.64 U_N$ rising $0.8 U_N$	falling $0.64 U_N$ rising $0.8 U_N$
COMMON GROUPS	independent	independent	independent	independent
CONNECTOR TYPE	<u>Default:</u> BLA <u>Options:</u> T	<u>Default:</u> BLA <u>Options:</u> T	<u>Default:</u> BLA <u>Options:</u> T	<u>Default:</u> BLA <u>Options:</u> T

MODULE TYPE	O12+/2401	O12+/4801	O12+/1101	O12+/2201
CHANNEL NUMBER	12	12	12	12
TIME SYNCHRONIZATION	configured by EuroCAP	configured by EuroCAP	configured by EuroCAP	configured by EuroCAP
RATED VOLTAGE	24 V	48 V	110 V	220 V
THERMAL WITHSTAND VOLTAGE	72 V	72 V	250 V	320 V
CLAMP VOLTAGE	falling $0.64 U_N$ rising $0.8 U_N$	falling $0.64 U_N$ rising $0.8 U_N$	falling $0.64 U_N$ rising $0.8 U_N$	falling $0.64 U_N$ rising $0.8 U_N$
COMMON GROUPS	4 × 3 common	4 × 3 common	4 × 3 common	4 × 3 common
CONNECTOR TYPE	<u>Default:</u> BLA <u>Options:</u> T	<u>Default:</u> BLA <u>Options:</u> F, T	<u>Default:</u> BLA <u>Options:</u> F, T	<u>Default:</u> BLA <u>Options:</u> T

MODULE TYPE	O12+/4201*	O12+/2101*	O15+/4801T	O15+/1101T
CHANNEL NUMBER	12	12	15	15
TIME SYNCHRONIZATION	configured by EuroCAP	configured by EuroCAP	configured by EuroCAP	configured by EuroCAP
RATED VOLTAGE	24 V DC / 48 V DC user selectable on channel basis by jumpers	110 V DC / 220 V DC user selectable on channel basis by jumpers	48 V	110 V
THERMAL WITHSTAND VOLTAGE	72 V	320 V	100 V	250 V
CLAMP VOLTAGE	falling 0.64 U _N rising 0.8 U _N	falling 0.64 U _N rising 0.8 U _N	falling 0.64 U _N rising 0.8 U _N	falling 0.64 U _N rising 0.8 U _N
COMMON GROUPS	4 × 3 common	4 × 3 common	1 × 15 common	1 × 15 common
CONNECTOR TYPE	<u>Default:</u> BLA <u>Options:</u> -	<u>Default:</u> BLA <u>Options:</u> T	BLT	BLT

* O12+2101 and O12+4201 modules can be used only in demonstration applications! For further information see our [Product availability](#) chapter.

MODULE TYPE	O16+/2401*	O16+/4801*	O16+/1101*	O16+/2201*
CHANNEL NUMBER	16	16	16	16
TIME SYNCHRONIZATION	-	-	-	-
RATED VOLTAGE	24 V	48 V	110 V	220 V
THERMAL WITHSTAND VOLTAGE	72 V	100 V	250 V	320 V
CLAMP VOLTAGE	falling 0.64 U _N rising 0.8 U _N	falling 0.64 U _N rising 0.8 U _N	falling 0.64 U _N rising 0.8 U _N	falling 0.64 U _N rising 0.8 U _N
COMMON GROUPS	2 × 8 common	2 × 8 common	2 × 8 common	2 × 8 common
CONNECTOR TYPE	<u>Default:</u> BL 3.5 <u>Options:</u> -	<u>Default:</u> BL 3.5 <u>Options:</u> -	<u>Default:</u> BL 3.5 <u>Options:</u> -	<u>Default:</u> BL 3.5 <u>Options:</u> -

*Obsolete module. These modules are not recommended for new designs! O15+ modules are recommended instead (see above).

Main features:

- Digitally filtered per channel
- Current drain:
 - max. 1.6 mA per channel at 220 V DC
 - max. 1.8 mA per channel at 110 V DC
 - max. 2 mA per channel at 48 V DC
 - max. 3 mA per channel at 24 V DC
- In such applications where the input voltage is 60 V the modules with 48 V rated voltage can be used.
- Input voltage type can be either DC or AC voltage. If AC voltage is used make sure that the type and the parameters of the binary inputs are configured properly in EuroCAP tool.

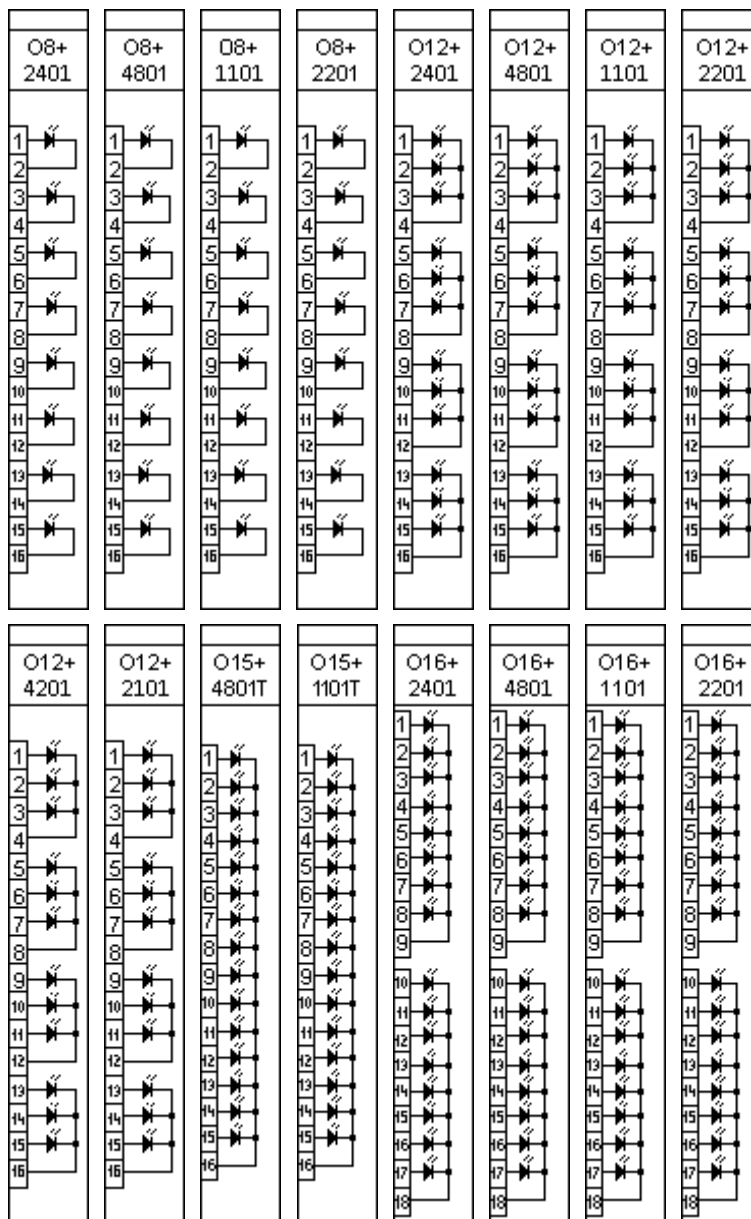
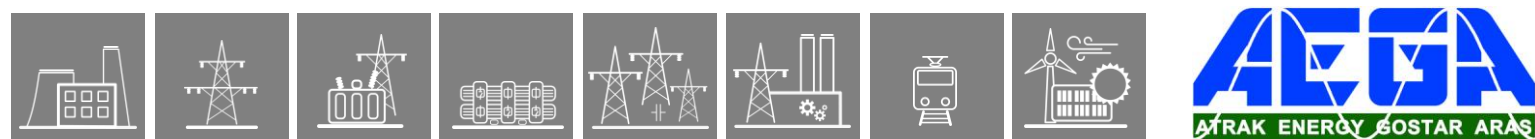


Figure 7-1 Binary input modules



1.3.10. Signaling module

The signaling module has 4, 8, 12 or 16 relay outputs with dry contacts.

Connector types:

- The default and optionally available connector types are indicated for each module in the tables below. See Chapter 20.2 for details about each type.

MODULE TYPE	R4+/01	R8+/00	R8+/80	R8+/C0
RATED VOLTAGE	250 V AC/DC	250 V AC/DC	250 V AC/DC	250 V AC/DC
CONTINUOUS CARRY	8 A	8 A	8 A	8 A
CONTACT VERSIONS	4 CO	8 NO	CH8 NC others NO	CH7 and CH8 NC others NO
GROUP ISOLATION	4 independent	8 independent	8 independent	8 independent
CONNECTOR TYPE	<u>Default:</u> BLA <u>Options:</u> F	<u>Default:</u> BLA <u>Options:</u> F, T	<u>Default:</u> BLA <u>Options:</u> T	<u>Default:</u> BLA <u>Options:</u> T

MODULE TYPE	R8+/FF	R12+/0000	R12+/4000
RATED VOLTAGE	250 V AC/DC	250 V AC/DC	250 V AC/DC
CONTINUOUS CARRY	8 A	8 A	8 A
CONTACT VERSIONS	8 NC	12 NO	CH12 NC others NO
GROUP ISOLATION	8 independent	4 × 3 common	4 × 3 common
CONNECTOR TYPE	<u>Default:</u> BLA <u>Options:</u> -	<u>Default:</u> BLA <u>Options:</u> F, T	<u>Default:</u> BLA <u>Options:</u> F, T

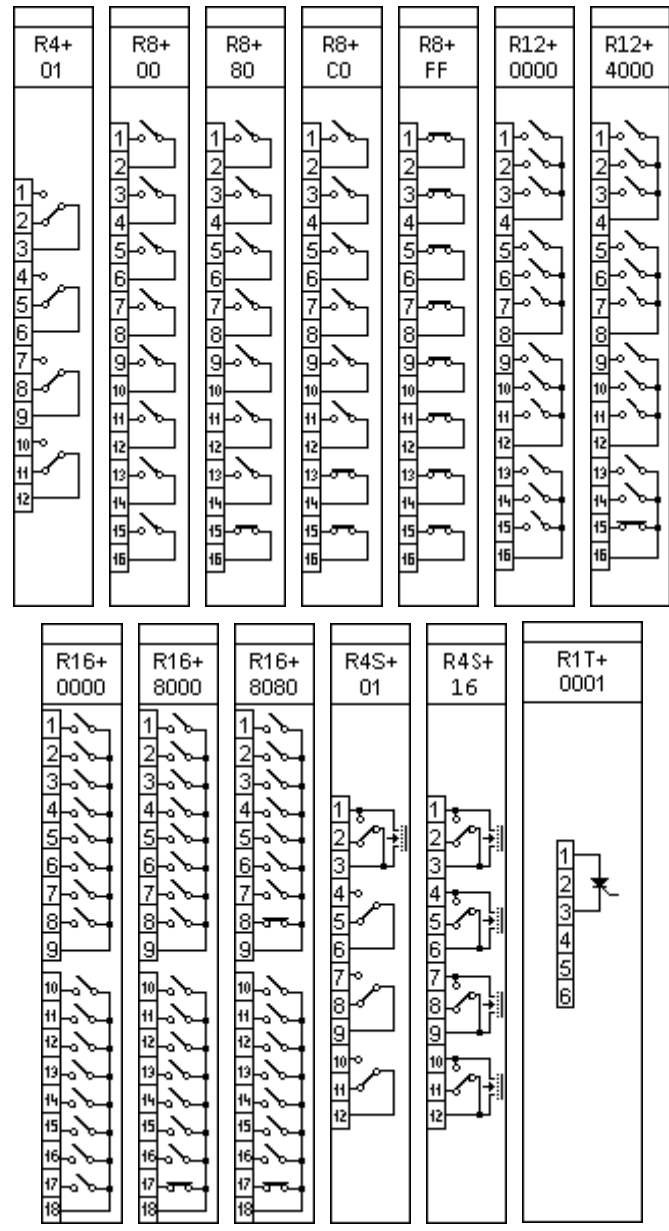


Figure 8-1 Signaling modules

1.3.11. Tripping module

The tripping module is a proprietary and patented solution that facilitates direct control of a circuit breaker.

Connector types:

- The default and optionally available connector types are indicated for each module in the table below. See Chapter 20.2 for details about each type.

MODULE TYPE	TRIP+/4201	TRIP+1101*	TRIP+/2101	TRIP+/21F1**	TRIP+/2201
CHANNEL NUMBER	4	4	4	4	4
RATED VOLTAGE	24 V DC and 48 V DC	110 V DC	110 V DC	110 V DC	220 V DC
THERMAL WITHSTAND VOLTAGE	72 V DC	242 V DC	150 V DC	150 V DC	242 V DC
CONTINUOUS CARRY	8 A	8 A	8 A	8 A	8 A
MAKING CAPACITY	0.5 s, 30 A	0.5 s, 30 A	0.5 s, 30 A	0.5 s, 30 A	0.5 s, 30 A
BREAKING CAPACITY	L/R = 40 ms: 4 A DC	L/R = 40 ms: 4 A DC	L/R = 40 ms: 4 A DC	L/R = 40 ms: 4 A DC	L/R = 40 ms: 4 A DC
CONNECTOR TYPE	<u>Default:</u> BLA <u>Options:</u> F, T	<u>Default:</u> BLA <u>Options:</u> -	<u>Default:</u> BLA <u>Options:</u> F, T	<u>Default:</u> BLA <u>Options:</u> T	<u>Default:</u> BLA <u>Options:</u> T

***Obsolete module. These modules are not recommended for new designs!**

****Without trip circuit supervision.**

Main features:

- High-speed operation: with pre-trip 0.5 ms, without pre-trip typically 10 ms, maximally 22 ms.
- Trip circuit supervision for each trip contact, except TRIP+21F1
- With 2-wire wiring, the tripping output can be *dry* contact type, too

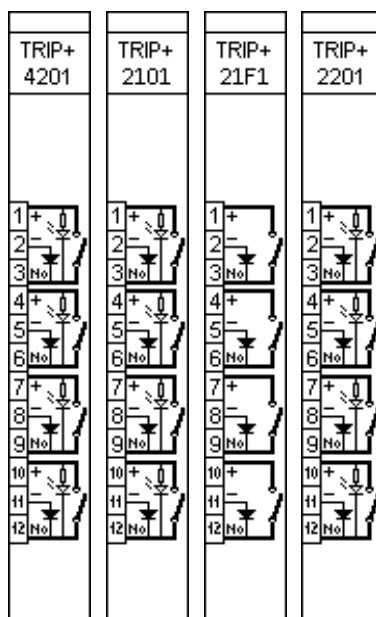


Figure 9-1 Tripping modules

1.3.11.1. TRIP+ module wiring

The tripping module provides tripping circuit supervision function (TCS). The wiring of these modules can be 2-wire or 3-wire. (TCS function is active for all wiring methods.)

The voltage of the "No" contact is maximized at 15 V by a Zener-diode. Make sure that the voltage caused by the resistance of the circuit breaker and the injected current from the TRIP+ module does not reach 10 V.

Our TRIP+ modules are improved to switch DC circuits. **Using reversed polarity or AC voltage can cause the damage of the internal circuits. Improper wiring might cause improper operation!**

1.3.11.1.1. 3-wire TRIP+ wiring methods

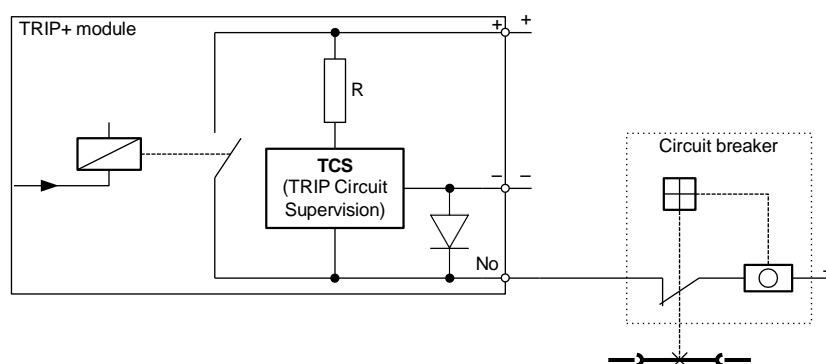


Figure 9-2 3-wire TRIP+ wiring

It is possible to use parallel connected TRIP+ modules. In this case the negative terminals must be common.

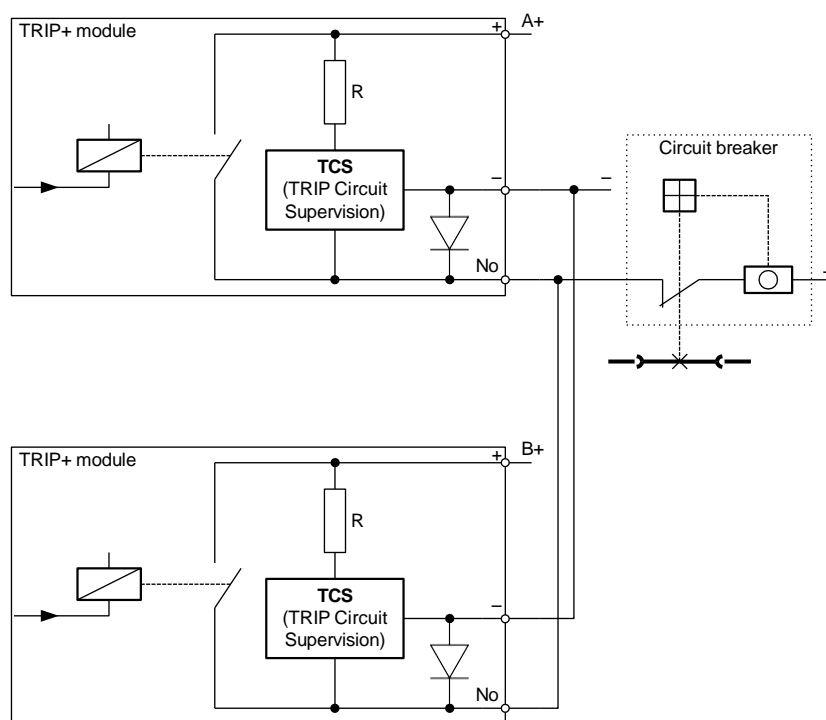


Figure 9-3 3-wire TRIP+ wiring using parallel connected TRIP+ modules

1.3.11.1.2. 2-wire TRIP+ wiring methods

If necessary, the TRIP+ modules can be wired using only the “+” and the “No” contacts.

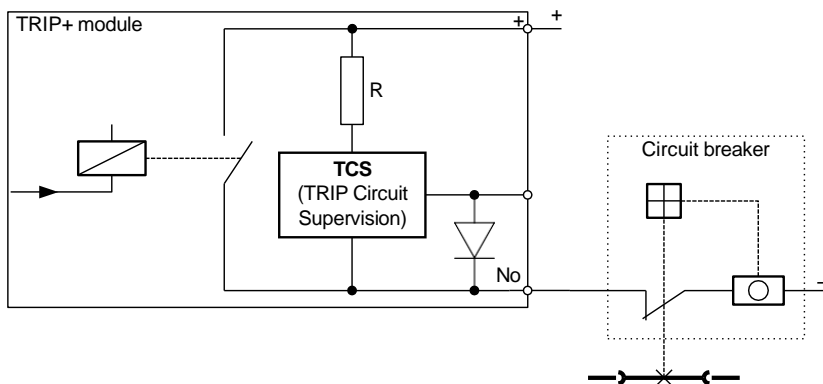


Figure 9-4 2-wire TRIP+ wiring

It is possible to use parallel connected TRIP+ modules.

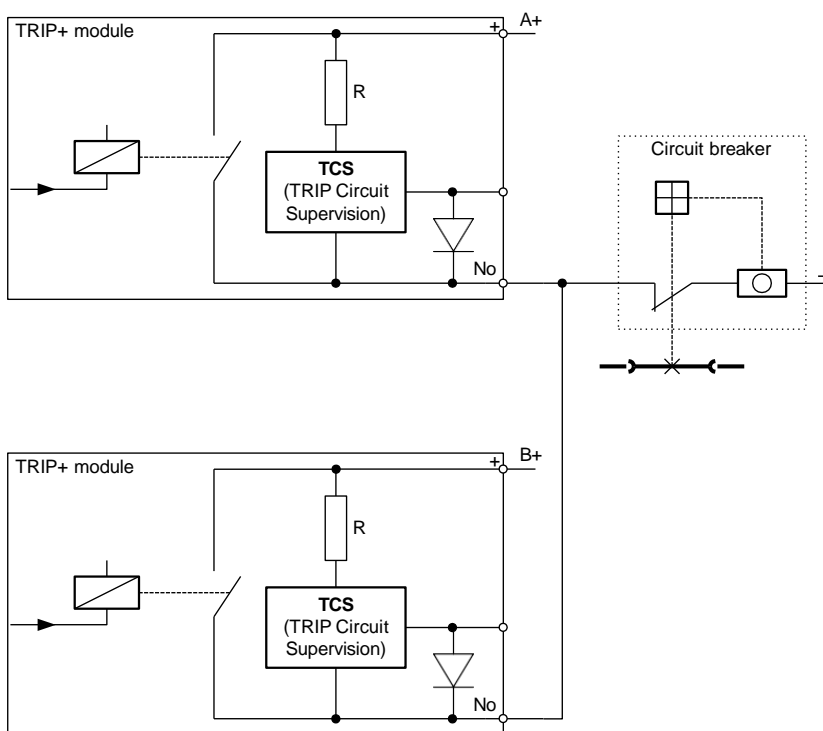


Figure 9-5 2-wire TRIP+ wiring using parallel connected TRIP+ modules

If the circuit breaker needs two-pole switching TRIP+ modules can be connected series as you can see in Figure 9–6.

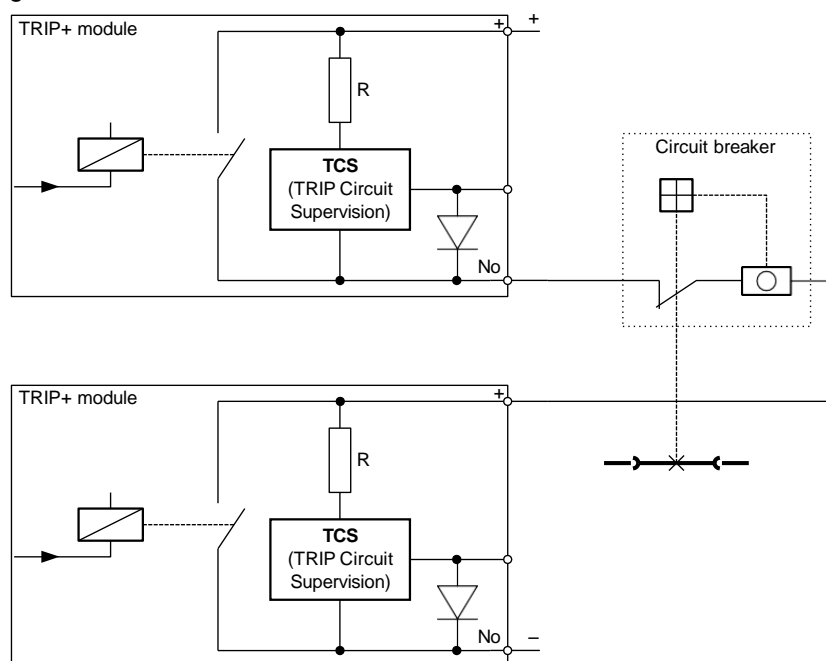


Figure 9-6 2-wire TRIP+ wiring using series connected TRIP+ modules

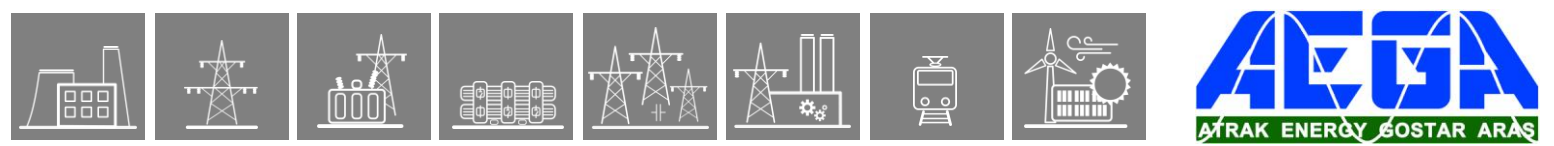
1.3.11.2. Trip Circuit Supervision (TCS)

Apart from the TRIP+/21F1, all TRIP modules have TCS. The feature is described in detail (tech. data, instructions, etc.) in a separate document:

https://www.protecta.hu/downloads/tcs_en

The technical data of the TCS is shown here as well:

	MODULE TYPE	TRIP+/4201	TRIP+/2101	TRIP+/2201
	VALUE OF R RESISTOR ($\pm 10\%$)	10 k Ω	73 k Ω	130 k Ω
	INJECTED CURRENT AT "NO" CONTACT	2.4 mA @ 24 V DC 4.8 mA @ 48 V DC	1.5 mA @ 110 V DC	1.7 mA @ 220 V DC
MAXIMUM RESISTANCE OF THE TRIP COIL	3-WIRE WIRING (MAX. 10 V)	11.8 k Ω @ 24 V DC 3.7 k Ω @ 48 V DC	9.7 k Ω @ 110 V DC 8.4 k Ω @ 125 V DC	8.1 k Ω @ 220 V DC
	3-WIRE WIRING WITH IN PARALLEL (MAX. 10 V)	5.9 k Ω @ 24 V DC 1.8 k Ω @ 48 V DC	4.8 k Ω @ 110 V DC 4.2 k Ω @ 125 V DC	4 k Ω @ 220 V DC
	2-WIRE METHOD (1 mA MIN. CURRENT)	14 k Ω @ 24 V DC 38 k Ω @ 48 V DC	37 k Ω @ 110 V DC 52 k Ω @ 125 V DC	90 k Ω @ 220 V DC



1.3.11.3. Relay output modules of the EuroProt+ system

1.3.11.3.1. Types of the relay output modules of the EuroProt+ system

Basically there are two different types of relay output modules in the EuroProt+ devices: TRIP relay output module for high-speed operation of the circuit breakers Signal relay output module

1.3.11.3.2. Operating modes of the relay contacts

For operation of the relay output modules there are four different modes:

Application of TRIP relays for commands of fast protection functions

User application of the TRIP relays Fast operation of any relay contacts (TRIP relays or signal relays) Control of signal relay outputs.

The procedures of command processing are shown in. This document describes the details using the TRIP relay contacts as an example.

The left side of the Figure shows the available sources of the trip commands:

The functionblocks, configured in the device,

The communication channels to the SCADA system,

Commands generated using the front panel LCD of the device,

Any other binary signals, e.g. signals from the binary inputs of the device.

The right side of the Figure shows one of the TRIP relays symbolically.

The Figure provides a survey of the configured trip command processing methods. In the middle of the Figure, the locations indicated by "User" shows the possibilities for the user to modify the procedures. All other parts are factory programmed.

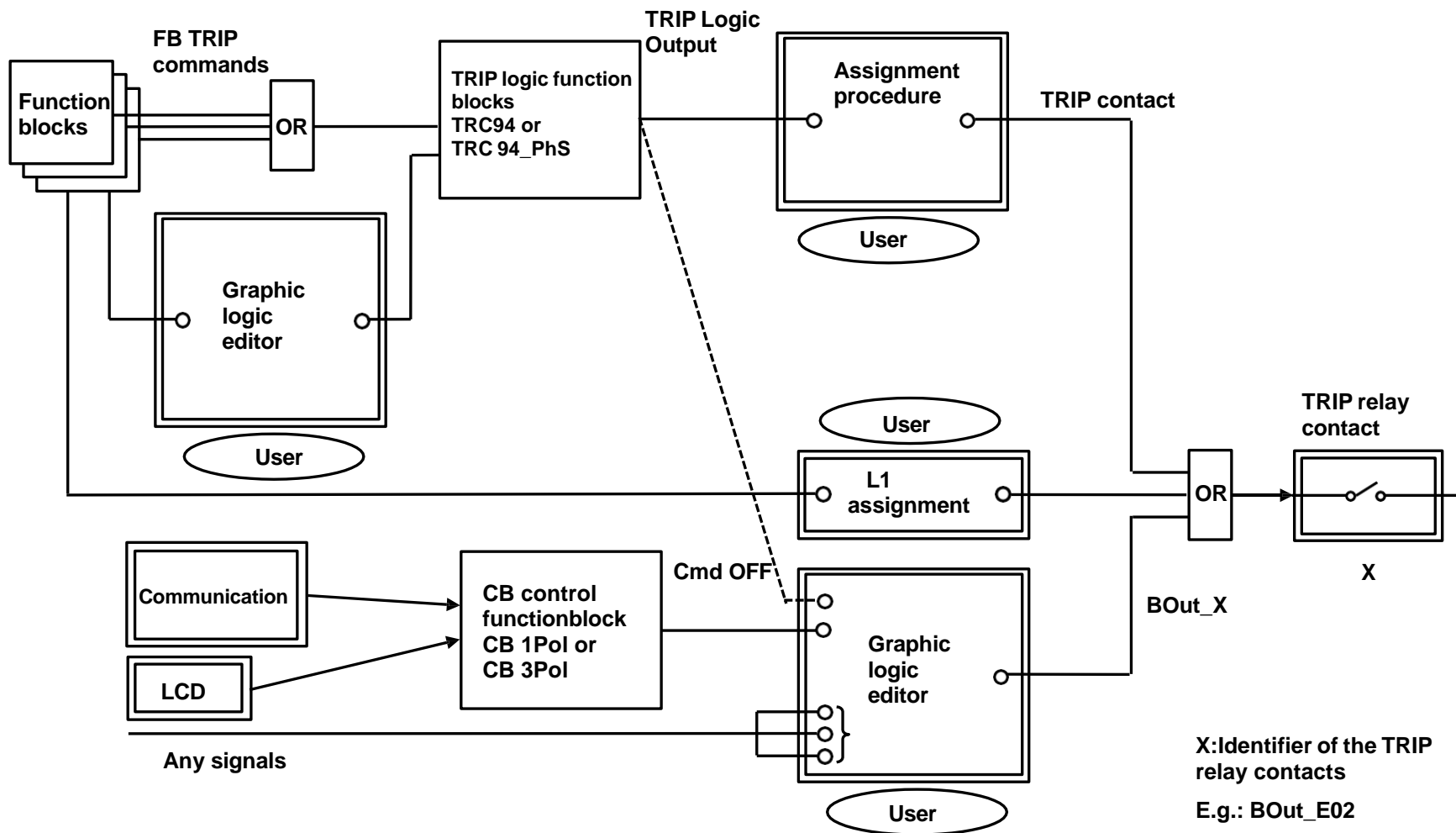
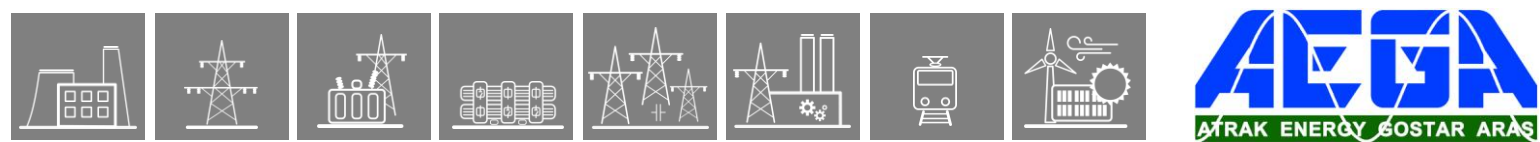


Figure 1-1 Principle of TRIP command processing



1.3.11.3.3. Application of TRIP relays for commands of fast protection functions

1.3.11.3.3.1. Aim of application of TRIP relays

The main aim of application of TRIP relays is to bypass the time delay of the mechanical contacts. For this aim there is a „slow” mechanical contact and a „fast” electronic switch in serial connection.

1.3.11.3.3.2. Control of the TRIP relays

The operation of the TRIP relays is performed in two steps:
Preparation of the circuit for the trip command
Trip command generation

1.3.11.3.3.2.1. Preparation of the circuit for the trip command

At the time when a protection function detects violation of the setting value of the characteristic quantity, the preparation process closes the „slow” mechanical contact, preparing the circuit for command generation.

1.3.11.3.3.2.2. The trip command generation

At the moment when the fast protection function – after some repeated checks, i.e. the timeout of the internal time counter – decides to generate the trip command then the „fast” electronic switch performs the operation, generating the trip command to the circuit breaker. This command is generated via the „TRC94_ PhS” or via the simplified „TRC94” trip logic functionblocks.

NOTE: If the TRIP command is not received within the expected time delay, then the command preparation resets after 50 ms. When the device is tested in the laboratory e.g. for measuring the limits of the distance protection characteristic, this can result a cyclic closing and opening of the mechanical contact and rattling can be heard. This does not mean faulty operation of the device!

1.3.11.3.3.3. The factory programming for relay control

For the trip command of protection functions, where the requirement is the fast operation (distance protection first zone, line differential protection, transformer differential protection, fast overcurrent stage, synchronous switching, etc.) the process of preparation and command generation is programmed in the form of „Fast logic”.

The alignment of the TRIP command is the task of the “TRIP logic functionblock”. All devices operating with TRIP binary output module, has a configured TRC 94 simplified, or a TRC 94_PhS TRIP logic functionblock. This converts e.g. the trip command due to phase-to-phase fault to a three-phase trip command, or extends the duration of the command according to the parameter setting. All these are described in the dedicated document.

The fast TRIP commands are assigned to the TRIP relay output contacts according to the factory configuration, but the user has a possibility to modify or extend this assignment using the EuroCAP configuration software. The factory assignment is described in the user manual of the given device configuration.

To ensure fast operation, this „Fast logic” is performed in each sampling cycle (1ms).

1.3.11.3.3.4. Changing the TRIP command assignment

The user has a possibility to modify or extend the TRIP command assignment using the EuroCAP configuration software. The menu item to be started is shown in *Figure 2-1*.

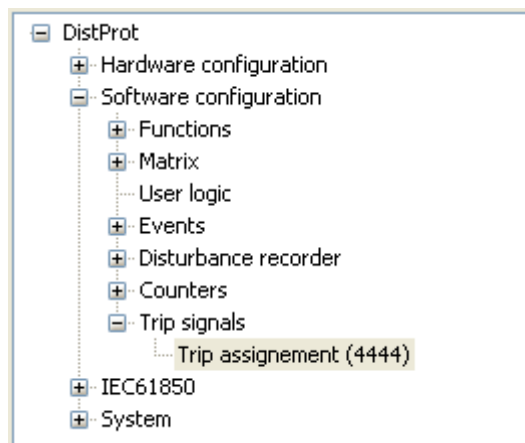


Figure 2-1 Menu item for TRIP command assignment

As *Figure 2-2* shows, the signal of type „TripLogic Output” (this is the command generated by the „TRIP logic functionblock”) can be assigned to a „Trip Contact” type relay output. The dialog window of the EuroCAP software selects these types of signals only; the available signals however can be assigned freely.

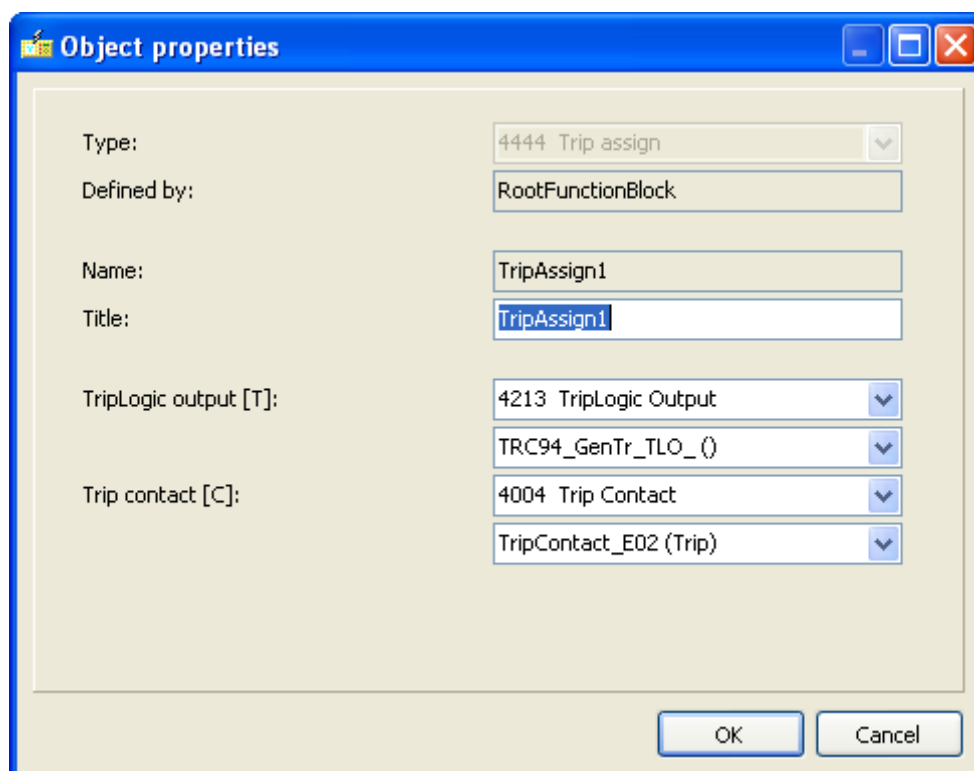
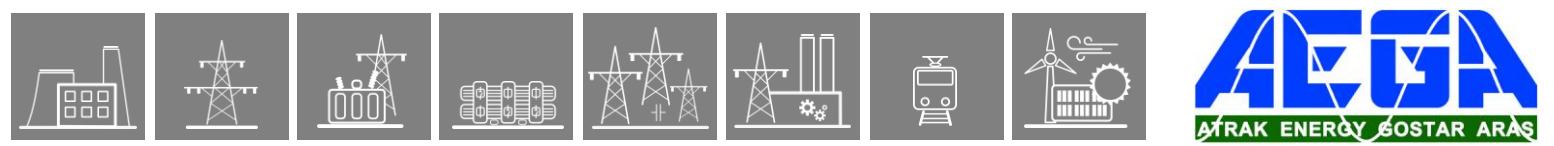


Figure 2-2 Changing the TRIP command assignment



The assigned signal is the input of an OR gate. As it is described below, several other signals can be directed to this OR gate. Using this method, also other TRIP modules extended by the user can be applied to operate the TRIP coil of the circuit breaker.

1.3.11.3.3.5. Fast operation of the relays

If the aim is to operate the contacts by a signal in each sampling cycle (1 ms), then the “Fast L1 contact option is to be applied. This option is provided by the EuroCAP configuration software in the menu „Hardware configuration/ IO signals/ Binary outputs/ Relay contacts/ Fast_L1 contacts”.

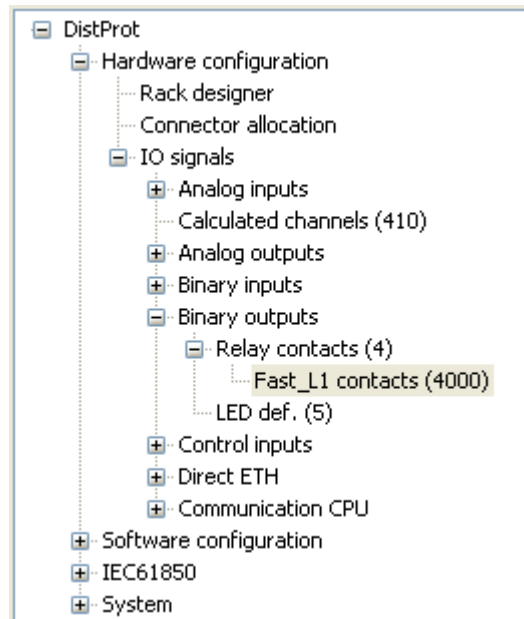


Figure 2-3 Configuring Fast L1 contacts

This menu offers the assignment of the appropriate binary signals to the relay contacts. As [Figure 2-4](#) shows, the signal can be of several types.

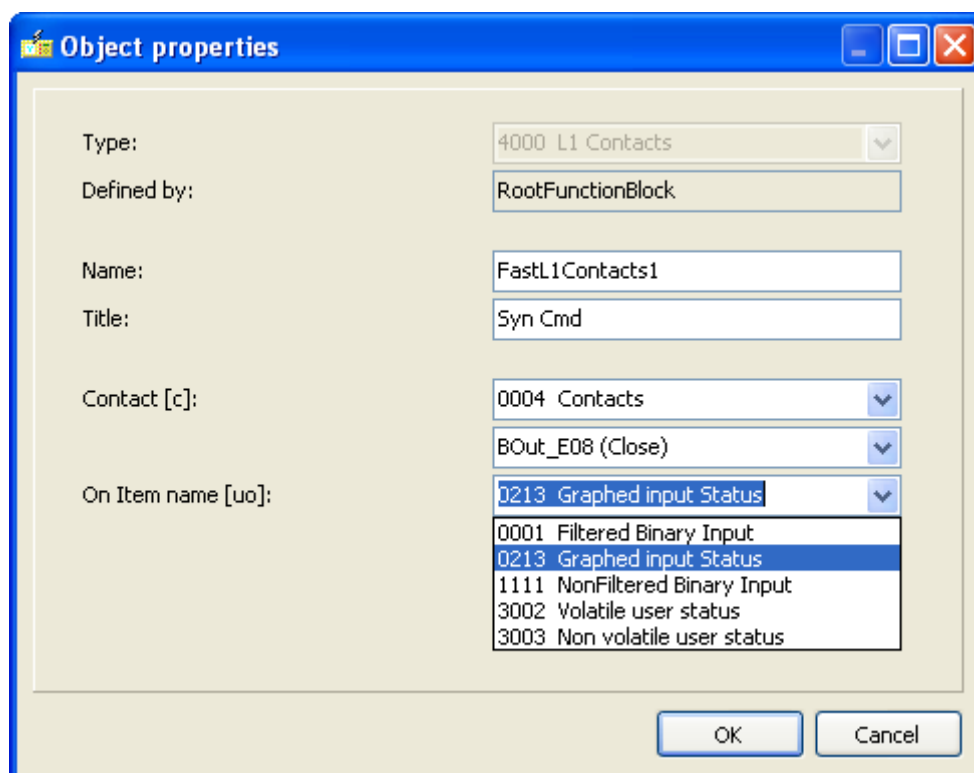


Figure 2-4 Fast L1 contact assignment

The processing of these fast signals is performed in a single step, the possibility for command preparation in the first step and additionally the TRIP command generation in the second step is not offered for the user. To perform this assignment, the application of the EuroCap configuration program in “Master” level is needed.

The selected signal is the input of an OR gate. To this gate additional other signals are connected, as it is described in the previous chapter, or in the description below.

IMPORTANT NOTE: The contacts of a TRIP hardware module are configured in the factory as “Fast L1 contacts”, the user does not need to define them additionally!

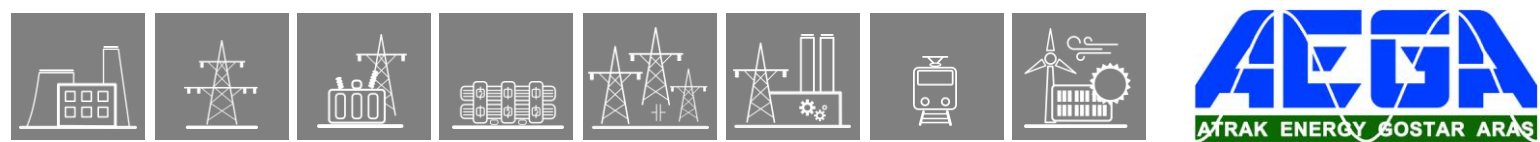
1.3.11.3.4. User application of the TRIP relays

The contacts controlling the circuit breaker operation can be programmed also by the user. Additionally to the command of the factory configured protection functions the user can assign signals to the channels of the TRIP hardware module. The two steps for the command generation however, as it is described in the paragraph above, cannot be applied by the user.

In this case, the source of the signals can be:

- Pre-configured TRIP commands
 - Received from the SCADA system via communication channels,
 - Generated by the user, applying the front panel LCD of the device,
- Any additional binary signals, e.g. an external command received by the binary input module of the device.

The pre-configured TRIP commands are aligned by the “CB control functionblock”, the output of which is the “CmdOff” TRIP command. This one and several other



signals can be programmed by the user to the output TRIP contact of the device, using the graphic logic editor of the EuroCAP configuration software.

Additionally the output signals of the „TRC94_PhS” trip logic or those of the „TRC94” simplified trip logic block can be programmed here. (These function-blocks are described in separate documents.) The output signal of the graphic logic editor is the „BOut_X” logic variable, where X is the identifier of the relay module and the contact, e.g. BOut_E02.

1.3.11.3.4.1. Graphic editor for the signal logic

For the protection functions, the operation of which are not required being extreme fast (in the range of one network period), the trip command must be assigned to the trip contacts usually by the user. These logic assignments can be programmed also in the factory, but the user can modify or extend them according to the requirements. To do this, the graphic editor of the EuroCap configuration tool must be applied with „Master” access rights.

1.3.11.3.4.2. The process of command generation

If a “simple” protection function generates a trip command then this logic signal is present on the dedicated output of the functionblock (see the description of the functionblocks).

The operation of the logic connections edited in the graphic editor is performed outside the sampling cycle, consequently, depending on the actual load of the processor a random time delay of additional 2-4 ms can be measured.

The contacts of the TRIP hardware modules are operated by several sources parallel:

The high-speed factory configured fast protection functions,
The defined Fast L1 signals,
The graphically edited logic connections (programmed in the factory and editable also by the user).

1.3.11.3.5. Control of signal relay outputs

If there is no special requirement to generate the signal with high speed, i.e. a time delay of 2-4 ms can be tolerated between the intent to generate the signal and the closing of the output contact then it is sufficient to apply normal signal relay contacts. To perform this programming the graphic editor of the EuroCap configuration tool is to be applied. To perform the programming the „Master” access level is needed.

1.3.11.4. Examples

1.3.11.4.1. Application of the TRIP logic

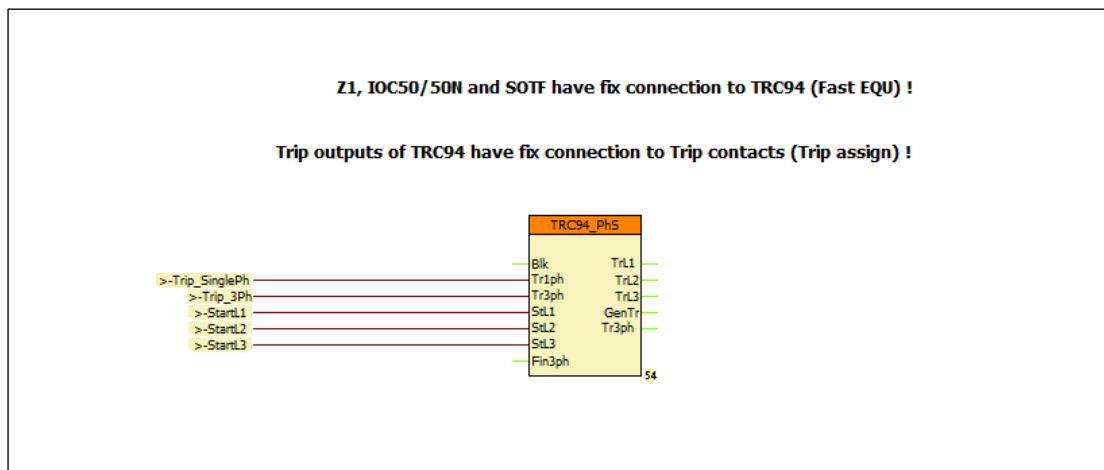


Figure 5-1 Example: A simple configuration to trip the circuit breaker

Figure 5-1 shows a simple configuration to trip the circuit breaker. In this Figure it is supposed that the fast protection functions operate according to the factory configuration and they control the TRIP contacts applying two steps of the preparation and command generation phases. This part of the program is not visible. (The description of the fast operating protection functions are listed in the configuration description of the devices.)

The outputs of the TRC94_PhS trip logic block are assigned to the channels of the TRIP hardware module. This assignment, which can be modified also by the user, is made not here but in the “TRIP assignment” menu of the EuroCAP configuration software. Consequently the Figure is complete; related to the outputs, the user needs additional graphic programming only if e.g. the operation is to be visualized also by signal relays.

If the configuration includes protection functions blocks the trip command of which does not need fast contact operation then these commands must be additionally directed to the TRIP relay outputs. To do this, the user collects these commands (with OR connection) and connects them to the dedicated inputs of the TRC94_PhS functionblock.

This Figure shows the collected signals (E.g. “Trip_SinglePh”, “Trip_3Ph”, etc.) only. As an example the „Trip_3Ph” signal collects the commands of all (not fast operating) protection functions which can generate three-phase trip command. The detailed description of the inputs and operation of the “TRC94_PhS” trip logic functionblock can be found in another document.

1.3.11.4.2. Application of circuit breaker control block

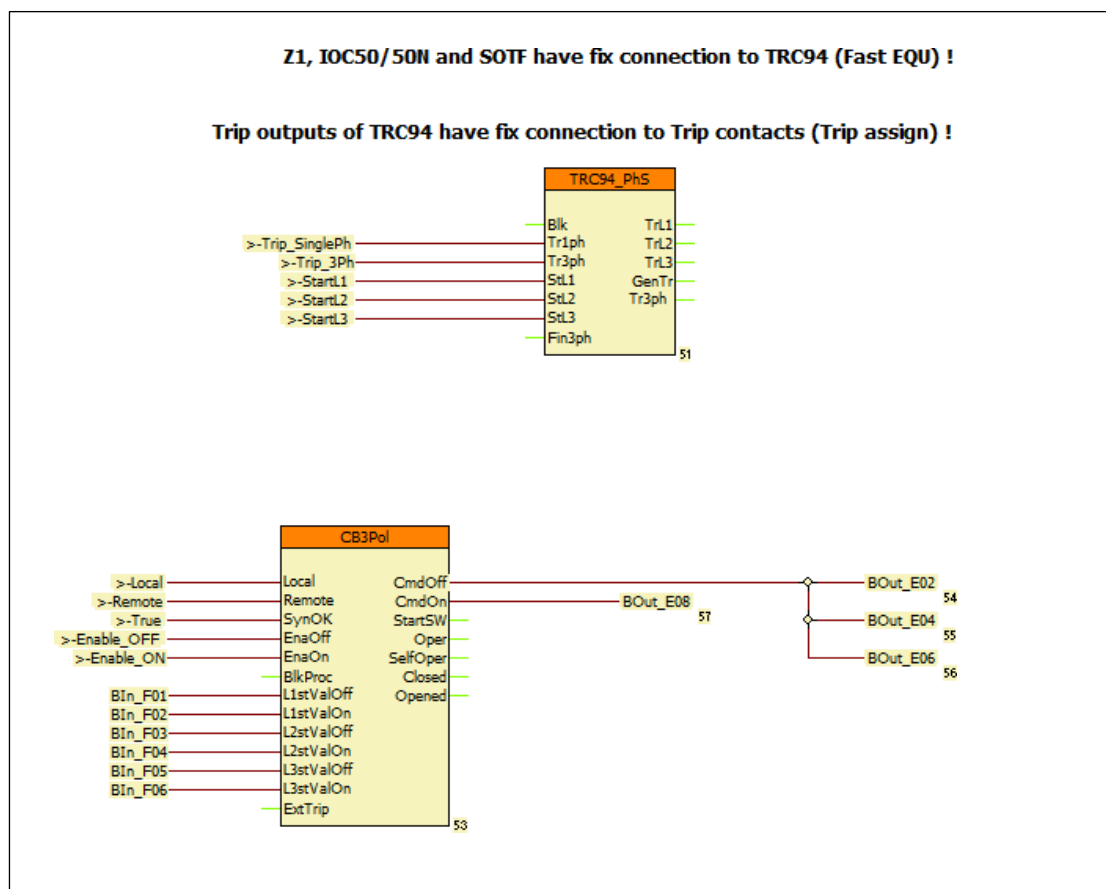


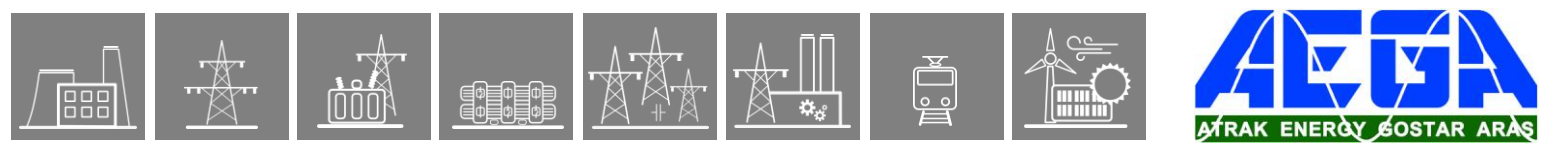
Figure 5-2 Example: Application of circuit breaker control block

Figure 5-2 shows an example for the application of the circuit breaker control block “CB3Pol”. In this Figure it is supposed that the fast protection functions operate according to the factory configuration and they control the TRIP contacts applying two steps of the preparation and command generation phases. This part of the program is not visible. (The description of the fast operating protection functions are listed in the configuration description of the devices.)

The outputs of the TRC94_PhS trip logic block are assigned to the channels of the TRIP hardware module. This assignment, which can be modified also by the user, is made not here but in the “TRIP assignment” menu of the EuroCAP configuration software. Consequently the Figure is complete; related to the outputs, the user needs additional graphic programming only if e.g. the operation is to be visualized also by signal relays.

If the configuration includes protection functions blocks the trip command of which does not need fast contact operation then these commands must be additionally connected to the TRIP relay outputs. To do this, the user collects these commands (with OR connection) and assigns them to the dedicated inputs of the TRC94_PhS functionblock.

This Figure shows the collected signals (E.g. “Trip_SinglePh”, “Trip_3Ph”, etc.) only. As an example the „Trip_3ph” signal collects the commands of all (not fast operating) protection functions which can generate three-phase trip command. The detailed description of the inputs and operation of the “TRC94_PhS” trip logic functionblock can be found in another document.



An extension to the example in *Figure 5-2* is that in this configuration also the „CB3pol” (circuit breaker control block) is applied. This block is needed if e.g. the front panel LCD of the device can display an active control scheme. For this purpose the signals „BIn_F...” in the Figure are the status signals of the circuit breaker poles, connected to the dedicated binary inputs of the device. The signals „Local”/”Remote” enable the local or remote control of the primary equipment. In the standard factory configurations these signals are programmed in the factory, but they can be modified also by the user.

If there is no synchro-check function activated in the device, connect the input „SynOK” of the “CB3Pol” to logic TRUE state. *Figure 5-2*, the local command issued via LCD of the device or the remote command received from the remote SCADA system is processed by the „CB3pol” functionblock (Output „CmdOff”). This control is programmed in the factory to “BOut_xx” variables. The user can perform any modification in the graphic programming.

The close command is connected directly to a dedicated “BOut_xx” variable. (This directs usually the fourth contact of the TRIP hardware module.)

The programming of the interlocking function must be performed by the user.

1.3.11.4.3. Automatic reclosing and circuit breaker control

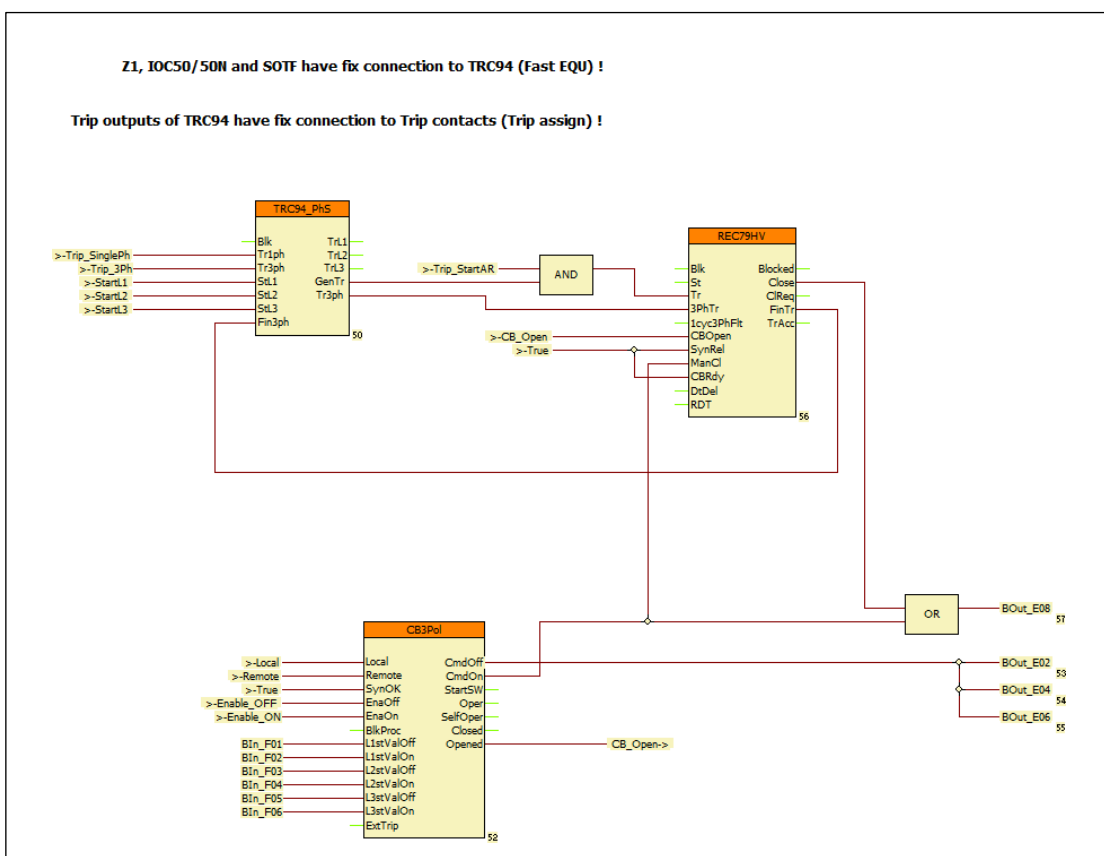


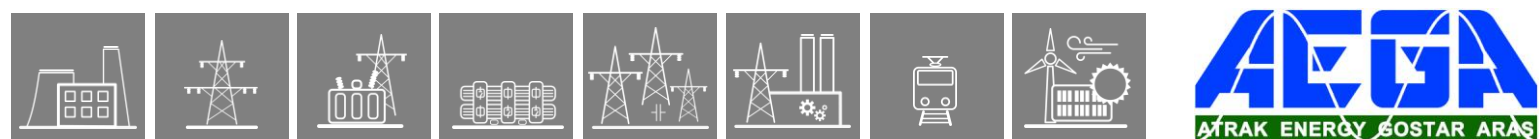
Figure 5-3 Example: Automatic reclosing and circuit breaker control

Figure 5-3 shows an example for the application of the automatic reclosing control block. In this Figure it is supposed that the fast protection functions operate according to the factory configuration and they control the TRIP contacts applying two steps of the preparation and command generation phases. This part of the program is not visible in “Master” level. (The description of the fast operating protection functions are listed in the configuration description of the devices.)

The outputs of the TRC94_PhS trip logic block are assigned to the output channels of the TRIP hardware module. This assignment, which can be modified also by the user, is made not here but in the “TRIP assignment” menu of the EuroCAP configuration software. Consequently the Figure is complete; related to the outputs, the user needs additional graphic programming only if e.g. the operation is to be visualized also by signal relays.

If the configuration includes protection functions blocks the trip command of which does not need fast contact operation then these commands must be additionally assigned to the TRIP relay outputs. To do this, the user collects these commands (with OR connection) and assigns them to the dedicated inputs of the TRC94_PhS functionblock.

This Figure shows the collected signals (E.g. “Trip_SinglePh”, “Trip_3Ph”, etc.) only. As an example the „Trip_3ph” signal collects the commands of all (not fast operating) protection functions which can generate three-phase trip command. The detailed description of the inputs and operation of the “TRC94_PhS” trip logic functionblock can be found in another document.



In this configuration also the „CB3pol” (circuit breaker control block) is applied. This block is needed if e.g. the front panel LCD of the device can display an active control scheme. For this purpose the signals „BIn_F...” in the Figure are the status signals of the circuit breaker poles, connected to the dedicated binary inputs of the device. The signals „Local”/”Remote” enable the local or remote control of the primary equipment. In the standard factory configurations these signals are programmed in the factory, but they can be modified also by the user.

If there is no synchro-check function activated in the device, connects the input „SynOK” of the “CB3Pol” to logic TRUE state.

According to *Figure 5-3*, the local command issued via LCD of the device or the remote command received from the remote SCADA system is processed by the „CB3pol” functionblock (Output „CmdOff”). This control is programmed in the factory to “BOut_xx” variables. The user can perform any modification in the graphic programming.

The close command is connected directly to a dedicated “BOut_xx” variable. (This directs usually the fourth contact of the TRIP hardware module.)

In *Figure 5-3* the close command is connected directly to a dedicated output. (This is usually the fourth contact of the TRIP hardware module.)

The programming of the interlocking function must be performed by the user.

An extension to the example in *Figure 5-2* is the application of the „REC79_HV” automatic reclosing function. The start signal „Trip_StartAR” can be programmed by the user. The automatic reclosing function is started only if the preceding trip command was performed by the circuit breaker, i.e. for example that the function is not disabled. The AND gate on this Figure performs this checking.

The „REC79_HV” automatic reclosing function needs the status signal indicating three-phase open state of the circuit breaker, connected to the „3PhTr” input of the „REC79_HV” functionblock. This signal is generated by the „TRC94_PhS” functionblock on the output „Tr3Ph”.

If the automatic reclosing is to be disabled after a fault caused by a manual close command, then the „CmdOn” output of the „CB3Pol” module must be connected to the „ManCl” input of the „REC79_HV” automatic reclosing function.

If there is no synchro-check function configured in the device, connect the „SynRel” input of the „REC79_HV” automatic reclosing function to logic TRUE state.

The evaluation of the status signals indicating the open state of the circuit breaker poles in OR gate is needed for the operation of the automatic reclosing function. According to the scheme of *Figure 5-3* the open state is indicated by at least one pole open state of the circuit breaker. (For simplicity, this Figure shows a realization without checking the FALSE signal of the closed states.)

Figure 5-3 supposes that the CB ready signal is not connected to the device; accordingly the steady TRUE state signal is connected to the „CBRdy” input of the „REC79_HV” automatic reclosing function. If the real signal is available, the signal must be connected similarly.

The close command of the „REC79_HV” automatic reclosing function is connected via OR gate to the dedicated close contact.

1.3.11.4.4. Closing the circuit breaker with synchro-check

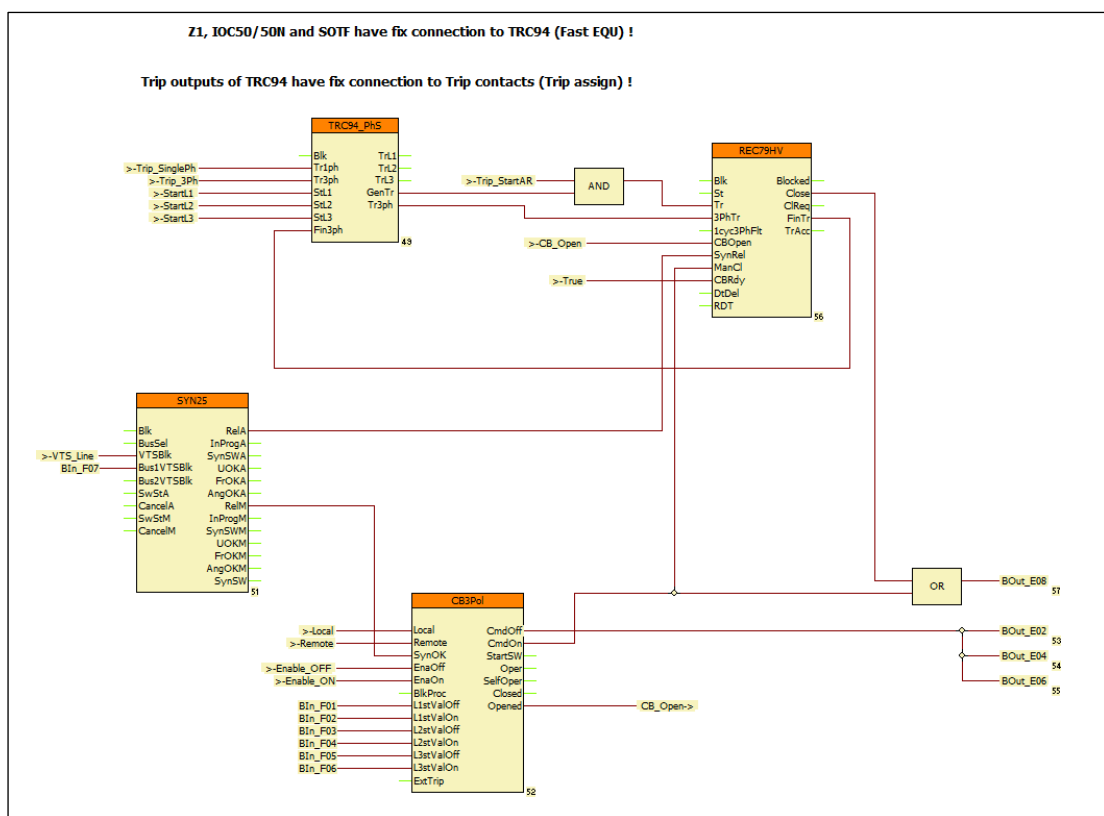


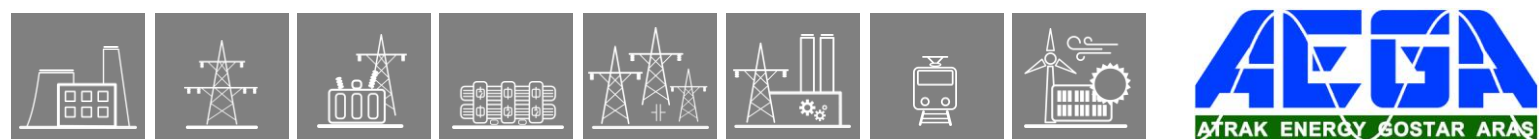
Figure 5-4 Example: closing the circuit breaker with synchro-check

Figure 5-4 shows an example for the application of “SYN25” cynchro-check functionblock. In this Figure it is supposed that the fast protection functions operate according to the factory configuration and they control the TRIP contacts applying two steps of the preparation and command generation phases. This part of the program is not visible in “Master” level. (The description of the fast operating protection functions are listed in the configuration description of the devices.)

The outputs of the TRC94_PhS trip logic block are assigned to the output channels of the TRIP hardware module. This assignment, which can be modified also by the user, is made not here but in the “TRIP assignment” menu of the EuroCAP configuration software. Consequently the Figure is complete; related to the outputs, the user needs additional graphic programming only if e.g. the operation is to be visualized also by signal relays.

If the configuration includes protection functions blocks the trip command of which does not need fast contact operation then these commands must be additionally assigned to the TRIP relay outputs. To do this, the user collects these commands (with OR connection) and assigns them to the dedicated inputs of the TRC94_PhS functionblock.

This Figure shows the collected signals (E.g. “Trip_SinglePh”, “Trip_3Ph”, etc.) only. As an example the „Trip_3ph” signal collects the commands of all (not fast operating) protection functions which can generate three-phase trip command. The detailed description of the inputs and operation of the “TRC94_PhS” trip logic functionblock can be found in another document.



In this configuration also the „CB3pol” (circuit breaker control block) is applied. This block is needed if e.g. the front panel LCD of the device can display an active control scheme. For this purpose the signals „BIn_F...” in the Figure are the status signals of the circuit breaker poles, connected to the dedicated binary inputs of the device. The signals „Local”/„Remote” enable the local or remote control of the primary equipment. In the standard factory configurations these signals are programmed in the factory, but they can be modified also by the user.

According to *Figure 5-4*, the local command issued via LCD of the device or the remote command received from the remote SCADA system is processed by the „CB3pol” functionblock (Output „CmdOff”). This control is programmed in the factory to “BOut_xx” variables. The user can perform any modification in the graphic programming.

The close command is connected directly to a dedicated “BOut_xx” variable. (This directs usually the fourth contact of the TRIP hardware module.)

In *Figure 5-4* the close command is connected directly to a dedicated output. (This is usually the fourth contact of the TRIP hardware module.)

The programming of the interlocking function must be performed by the user.

Figure 5-4 includes the application of the „REC79_HV” automatic reclosing function. The start signal „Trip_StartAR” can be programmed by the user. The automatic reclosing function is started only if the preceding trip command was performed by the circuit breaker, i.e. for example that the function is not disabled. The AND gate on this Figure performs this checking.

The „REC79_HV” automatic reclosing function needs the status signal indicating three-phase open state of the circuit breaker, connected to the „3PhTr” input of the „REC79_HV” functionblock. This signal is generated by the „TRC94_PhS” functionblock on the output „Tr3Ph”.

If the automatic reclosing is to be disabled after a fault caused by a manual close command, then the „CmdOn” output of the „CB3Pol” module must be connected to the „ManCl” input of the „REC79_HV” automatic reclosing function.

The evaluation of the status signals indicating the open state of the circuit breaker poles in OR gate is needed for the operation of the automatic reclosing function. According to the scheme of *Figure 5-4* the open state is indicated by at least one pole open state of the circuit breaker. (For simplicity, this Figure shows a realization without checking the FALSE signal of the closed states.)

Figure 5-4 supposes that the CB ready signal is not connected to the device; accordingly the steady TRUE state signal is connected to the „CBRdy” input of the „REC79_HV” automatic reclosing function. If the real signal is available, the signal must be connected similarly.

The close command of the „REC79_HV” automatic reclosing function is connected via OR gate to the dedicated close contact.

An extension to the example in *Figure 5-3* is the close command to the circuit breaker is generated by synchro-check. The enabling signal for the close command is generated by the „SYN25” software module. This module is described in details in a separate document. The needed input signals indicating the state of the voltage transformers („VTSBik” and „Bus1VTSBik”), must be programmed graphically.

The output signal „RelA” of the „SYN25” software module enables the closing operation of the „REC79_HV” automatic reclosing function via its „SynRel” input.

For manual close commands the output signal „RelM” of the „SYN25” software module enables the closing operation of the „CB3pol” via its „SynOK” input.

1.3.11.4.5. Closing the circuit breaker with synchro-check and synchro-switch

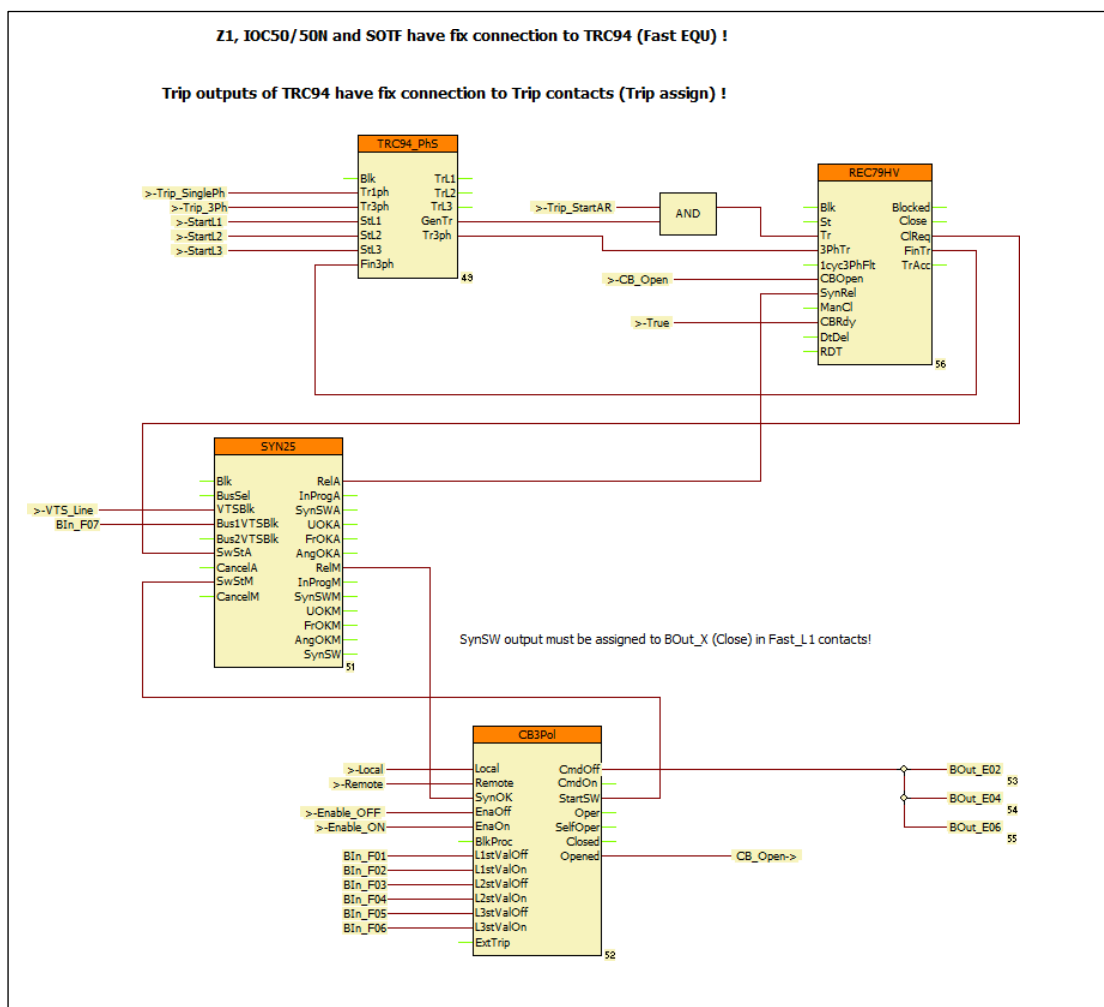
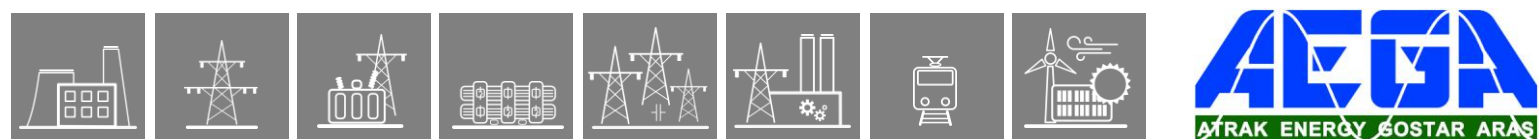


Figure 5-5 Example: closing the circuit breaker with synchro-check and synchro- switch

Figure 5-5 shows an example for the application of “SYN25” cynchro-check functionblock with synchro switch extension. In this Figure it is supposed that the fast protection functions operate according to the factory configuration and they control the TRIP contacts applying two steps of the preparation and command generation phases. This part of the program is not visible in “Master” level. (The description of the fast operating protection functions are listed in the configuration description of the devices.)

The outputs of the TRC94_PhS trip logic block are assigned to the output channels of the TRIP hardware module. This assignment, which can be modified also by the user, is made not here but in the “TRIP assignment” menu of the EuroCAP configuration software. Consequently the Figure is complete; related to the outputs, the user needs additional graphic programming only if e.g. the operation is to be visualized also by signal relays.

If the configuration includes protection functions blocks the trip command of which does not need fast contact operation then these commands must be additionally assigned to the TRIP relay outputs. To do this, the user collects these commands



(with OR connection) and assigns them to the dedicated inputs of the TRC94_PhS functionblock.

This Figure shows the collected signals (E.g. „Trip_SinglePh”, „Trip_3Ph”, etc.) only. As an example the „Trip_3ph” signal collects the commands of all (not fast operating) protection functions which can generate three-phase trip command. The detailed description of the inputs and operation of the “TRC94_PhS” trip logic functionblock can be found in another document.

In this configuration also the „CB3pol” (circuit breaker control block) is applied. This block is needed if e.g. the front panel LCD of the device can display an active control scheme. For this purpose the signals „BIn_F...” in the Figure are the status signals of the circuit breaker poles, connected to the dedicated binary inputs of the device. The signals „Local”/„Remote” enable the local or remote control of the primary equipment. In the standard factory configurations these signals are programmed in the factory, but they can be modified also by the user.

According to *Figure 5-5*, the local command issued via LCD of the device or the remote command received from the remote SCADA system is processed by the „CB3pol” functionblock (Output „CmdOff”). This control is programmed in the factory to “BOut_xx” variables. The user can perform any modification in the graphic programming.

The close command is connected directly to a dedicated “BOut_xx” variable. (This directs usually the fourth contact of the TRIP hardware module.)

In *Figure 5-5* the close command is connected directly to a dedicated output. (This is usually the fourth contact of the TRIP hardware module.)

The programming of the interlocking function must be performed by the user.

Figure 5-5 includes the application of the „REC79_HV” automatic reclosing function. The start signal „Trip_StartAR” can be programmed by the user. The automatic reclosing function is started only if the preceding trip command was performed by the circuit breaker, i.e. for example that the function is not disabled. The AND gate on this Figure performs this checking.

The „REC79_HV” automatic reclosing function needs the status signal indicating three-phase open state of the circuit breaker, connected to the „3PhTr” input of the „REC79_HV” functionblock. This signal is generated by the „TRC94_PhS” functionblock on the output „Tr3Ph”.

If the automatic reclosing is to be disabled after a fault caused by a manual close command, then the „CmdOn” output of the „CB3Pol” module must be connected to the „ManCl” input of the „REC79_HV” automatic reclosing function.

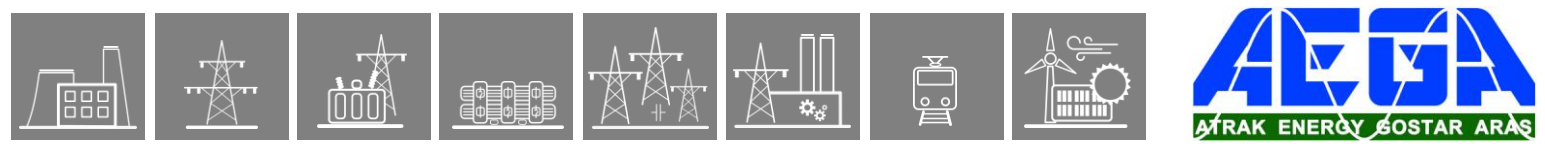
If there is no synchro-check function configured in the device, then connect the „SynRel” input of the „REC79_HV” automatic reclosing function to logic TRUE state.

The evaluation of the status signals indicating the open state of the circuit breaker poles in OR gate is needed for the operation of the automatic reclosing function. According to the scheme of *Figure 5-5* the open state is indicated by at least one pole open state of the circuit breaker. (For simplicity, this Figure shows a realization without checking the FALSE signal of the closed states.)

Figure 5-5 supposes that the CB ready signal is not connected to the device; accordingly the steady TRUE state signal is connected to the „CBRdy” input of the „REC79_HV” automatic reclosing function. If the real signal is available, the signal must be connected similarly.

The close command of the „REC79_HV” automatic reclosing function is connected via OR gate to the dedicated close contact.

In this application the close command to the circuit breaker is generated by synchro-check. The enabling signal for the close command is generated by the „SYN25” software module. This module is described in details in a separate document. The



needed input signals indicating the state of the voltage transformers („VTSBik” and „Bus1VTSBik”), must be programmed graphically.

The output signal „RelA” of the „SYN25” software module enables the closing operation of the „REC79_HV” automatic reclosing function via its „SynRel” input.

For manual close commands the output signal „RelM” of the „SYN25” software module enables the closing operation of the „CB3pol” via its „SynOK” input.

An extension to the example in *Figure 5-4* is the following: If there is no continuous synchron state because the frequency at one side of the circuit breaker is different to that of the other side, then the voltage vector of one side rotates continuously as compared to the other one. In this case a synchronous switching is attempted to restore the normal operation of the network.

The manual synchron switching mode is started by the signal on the „StSwM” input of the SYN25 functionblock. To do this the the „StartSW” output of the „CB3Pol” functionblock must be connected here.

For automatic synchron switching mode the „CIReq” output of the „Rec79HV” module must be connected to the „SwStA” input of the „SYN25” software module.

IMPORTANT NOTE: the close command is generated for both manual and automatic

switching at the output „SynSW” of the „SYN25” software module. It is advised not to connect this output using the „slow” graphic programming, but the contact assigned to the close command („BOutClose”) must be handled as fast operating „L1 contact”. The „SynSW” signal must be programmed to this contact. This assignment is performed using the EuroCap configuration tool in the menu „Hardware configuration/Binary outputs/Relay contacts/Fast_L1 contacts”.

1.3.12. RTD input module

The RTD+1100 module is used to measure the temperature through the variation of resistance of temperature detectors. RTD+0200 and RTD+1200 are special modules for Petersen coil controllers (DRL) measuring the resistance of the potentiometer.

Connector types:

- The default and optionally available connector types are indicated for each module in the table below. See Chapter 20.2 for details about each type.

MODULE TYPE	RTD+/0200*	RTD+/1100	RTD+/1200*
CHANNEL NUMBER	1	4	1
MEASUREMENT METHOD	3 wire configuration	2, 3 or 4 wire configuration	3 wire configuration
ACCURACY	± 0.5 % ± 1 digit	± 0.5 % ± 1 digit	± 0.5 % ± 1 digit
SENSOR TYPE	Service-Ohm	Pt100/Ni100 Ni120/Ni120US Pt250/Ni250 Pt1000/Ni1000 Cu10 Service-Ohm (60 Ω ... 1.6 kΩ)	Service-Ohm
MEASUREMENT RANGES	2 Ω ... 200 Ω	- 50 °C – +150 °C	10 Ω ... 1000 Ω
CONNECTOR TYPE	<u>Default:</u> BLA <u>Options:</u> -	<u>Default:</u> BLA <u>Options:</u> T	<u>Default:</u> BLA <u>Options:</u> -
RECOMMENDED APPLICATION	Arc suppression coil controller	General resistance-based temperature measurement	Arc suppression coil controller

*Special module

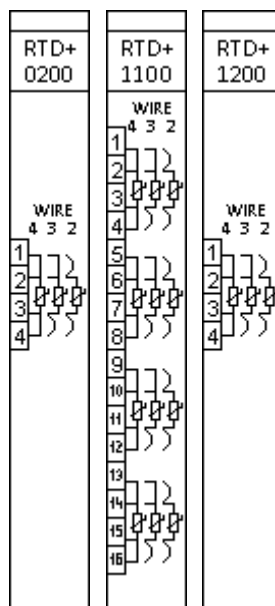


Figure 10-1 RTD input modules

1.3.12.1. RTD module wiring

If 2-wire wiring is used you have to make sure that the value of RA and RD resistors are set correctly in the “parameters” menu of the web server.

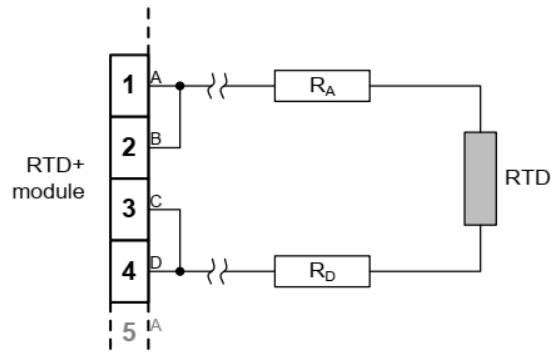


Figure 10-2 2-wire RTD wiring

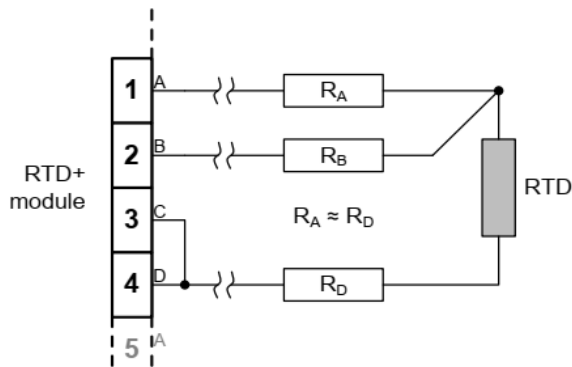


Figure 10-3 3-wire RTD wiring

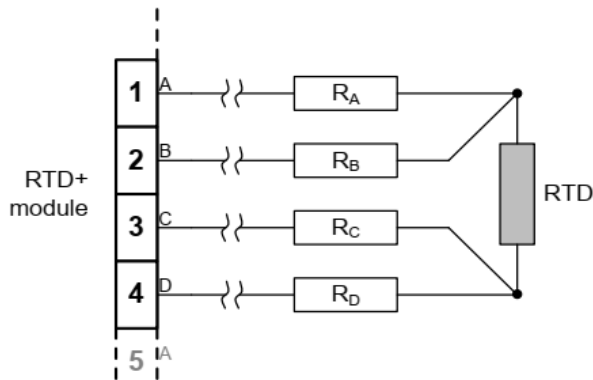


Figure 10-4 4-wire RTD wiring

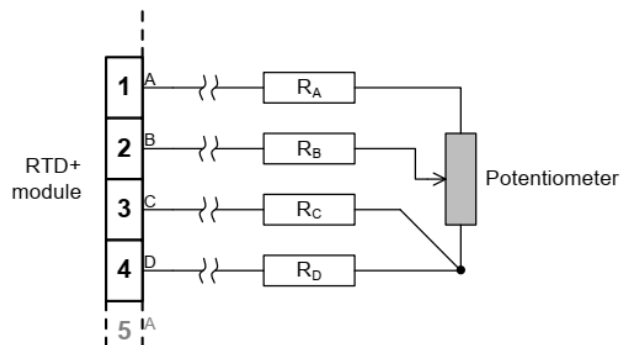


Figure 10-5 4-wire RTD wiring of potentiometer

1.3.13. Analog input module (AI)

The analog input module accepts transducers' current outputs. The AIC module can measure unipolar and bipolar current values in wide ranges.

Connector types:

- The default and optionally available connector types are indicated for each module in the table below. See Chapter 20.2 for details about each type.

MODULE TYPE	AIC+/0200*	AIC+/0201*	AIC+/0202
CHANNEL NUMBER	4	4	4
MEASUREMENT METHOD	2 wire inputs	2 wire inputs with optional 12 V excitation	2 wire inputs
RELATIVE ACCURACY	$\pm 0.5 \% \pm 1$ digit	$\pm 0.5 \% \pm 1$ digit	$\pm 0.5 \% \pm 1$ digit
MEASUREMENT RANGES	± 20 mA (typical 0-20, 4-20 mA) $R_{LOAD} = 56 \Omega$	± 20 mA (typical 0-20, 4-20 mA) $R_{LOAD} = 56 \Omega$	± 20 mA (typical 0-20, 4-20 mA) $R_{LOAD} = 56 \Omega$
CONNECTOR TYPE	Default: BLA Options: -	Default: BLA Options: -	Default: BLA Options: F, T

***Obsolete module. These modules are not recommended for new designs!**

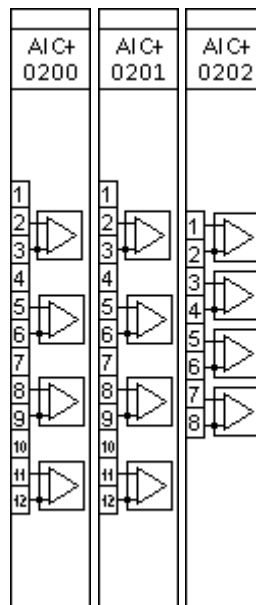
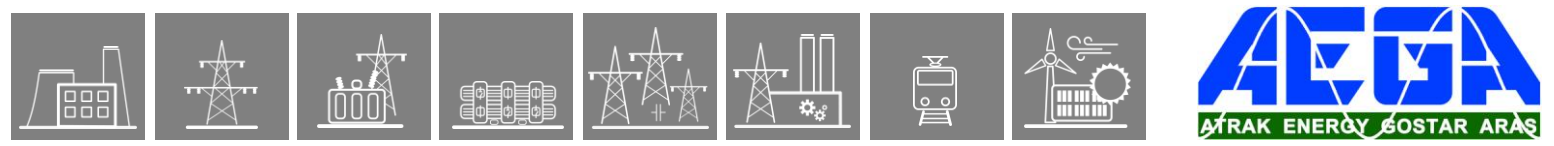


Figure 11-1 Analog input modules



1.3.13.1. AI module wiring

The following wiring method can be applied.

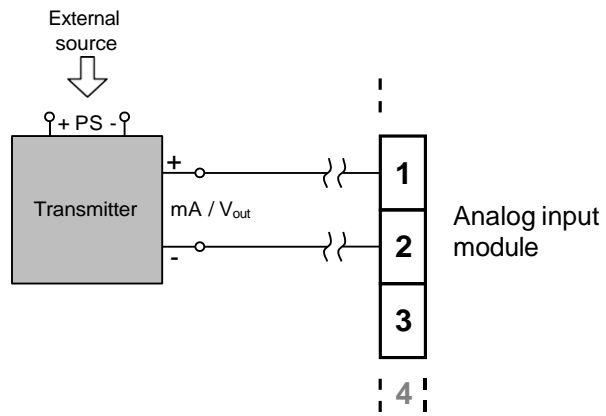


Figure 11-2 AI wiring

1.3.14. Analog output module (ATO)

The analog output module transmits current or voltage signals. The ATO module can be used in wide ranges in unipolar and bipolar mode.

Connector types:

- The default and optionally available connector types are indicated for each module in the table below. See Chapter 20.2 for details about each type.

MODULE TYPE	ATO+/0002	ATO+/0004
CHANNEL NUMBER	2	4
OUTPUT MODE	2 wire output	2 wire output
MAXIMUM LOAD ($R_{\text{CABLE}} + R_{\text{RECEIVER}}$)	500 Ω	500 Ω
OUTPUT RANGES	± 20 mA 0 - 20 mA 4 - 20 mA	± 20 mA 0 - 20 mA 4 - 20 mA
CONNECTOR TYPE	Default: BLA Options: T	Default: BLA Options: -

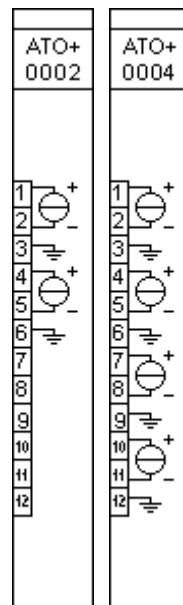


Figure 12-1 Analog output modules

1.3.14.1. ATO module wiring

The analog output module should be connected according to the following wiring diagram.

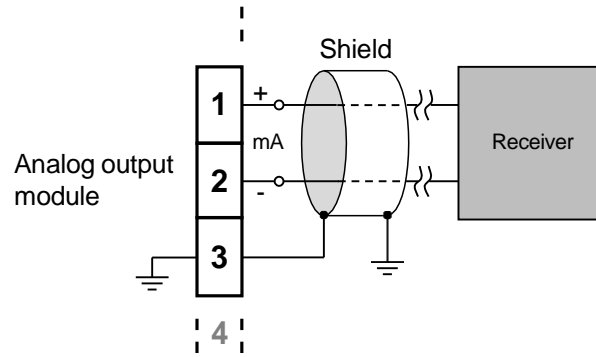
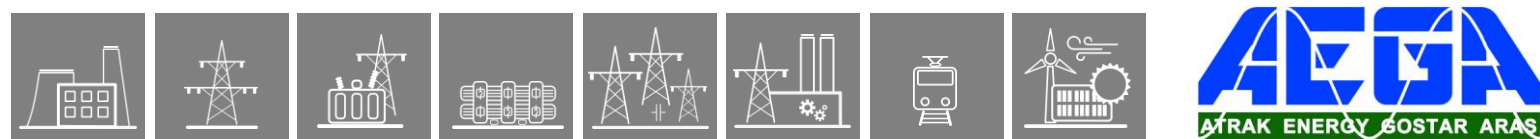


Figure 12-2 Analog output module wiring diagram



1.3.15. Sensor input module

The sensor modules receive low-level signals of current and voltage sensors (low-power instrument transformers).

Connector types:

- The default and optionally available connector types are indicated for each module in the table below. See Chapter 20.2 for details about each type.

MODULE TYPE	CVS+/0001		CVSR+/0001		VS+/0031***
CHANNEL NUMBER	4 U	4 I	4 U	4 I	4 U
NOMINAL VALUES	3.25 V	0.225 V*	1.27 V	0.150 V**	3.25 V
CONTINUOUS VOLTAGE WITHSTAND	35 V DC		35 V DC		35 V DC
SHORT TIME OVERLOAD (1 s)	40 V AC / 56 V DC		40 V AC / 56 V DC		40 V AC / 56 V DC
MAX. MEASURED VALUE ($\pm 10\%$)	1.8 U _N	50 I _N	2.1 U _N	50 I _N	1.6 U _N
ACCURACY	$\leq 0.5\%$ (0.1 U _N – 1.2 U _N)		$\leq 0.5\%$ (0.1 U _N – 1.2 U _N)		$\leq 0.5\%$ (0.1 U _N – 1.2 U _N)
FREQUENCY RANGE	DC – 1 kHz		DC – 1 kHz		DC – 1 kHz
INPUT RESISTANCE	200 k Ω $\pm 1\%$	21 k Ω $\pm 1\%$	10 M Ω $\pm 1\%$	1.1 M Ω $\pm 1\%$	200 k Ω $\pm 1\%$
INPUT CAPACITANCE	300 pF (1 kHz)	300 pF (1 kHz)	300 pF (1 kHz)	300 pF (1 kHz)	300 pF (1 kHz)
CONNECTOR TYPE	RJ45 – 8 pole, shielded connector, isolated shielding		RJ45 – 8 pole, shielded connector, grounded shielding		M8 3-pin connector Receptacle: Hirschmann ELST 3308 RV FM 8 05 Plug: Binder 768 99-3360-00-03

*Voltage proportional to current

**Voltage proportional to current change (Rogowski coil)

*****Obsolete module. These modules are not recommended for new designs!**

For more information about more available nominal values please contact our Application Team. (application@protecta.hu)

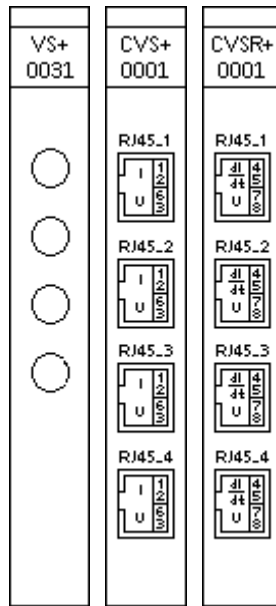


Figure 13-1 Voltage sensor modules

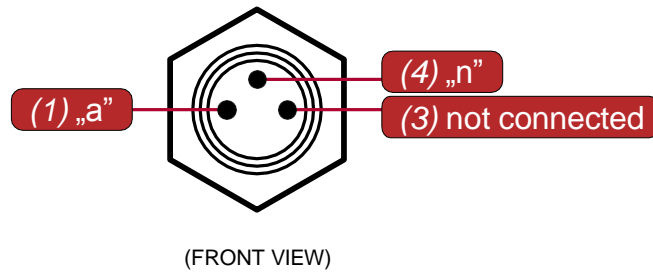
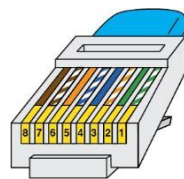


Figure 13-2 M8 connector pinout



- 1.: S1
- 2.: S2
- 3.: "a"
- 6.: "n"

Figure 13-3 CVS module connector pinout



- 4.: S1
- 5.: S2
- 8.: "n"
- 7.: "a"

Figure 13-4 CVSR module connector pinout

1.3.16. INJ module

Complex module for controlling the Petersen coil, which contains an injector function for the measurements, an enabling and a blocking input, and a fault relay indicating if there is any fault in the injection circuit.

Connector types:

- The default and optionally available connector types are indicated for each module in the table below. See Chapter 20.2 for details about each type.

MODULE TYPE	INJ+/0005	INJ+/0015*
INJECTED CURRENT	2 A	4 A
ENABLING INPUT CLAMP VOLTAGE	85 V AC	Not available function
BLOCKING INPUT CLAMP VOLTAGE	200 V AC	200 V AC
ADDITIONAL RESISTANCE FOR VOLTAGE INPUT	Not available function	265 kΩ ± 1%
CONNECTOR TYPE	Default: STVS6, BLA10 Options: -	
RECOMMENDED APPLICATION	Arc suppression coil controller	Network compensation level measurement on resonant grounded networks

*Special module

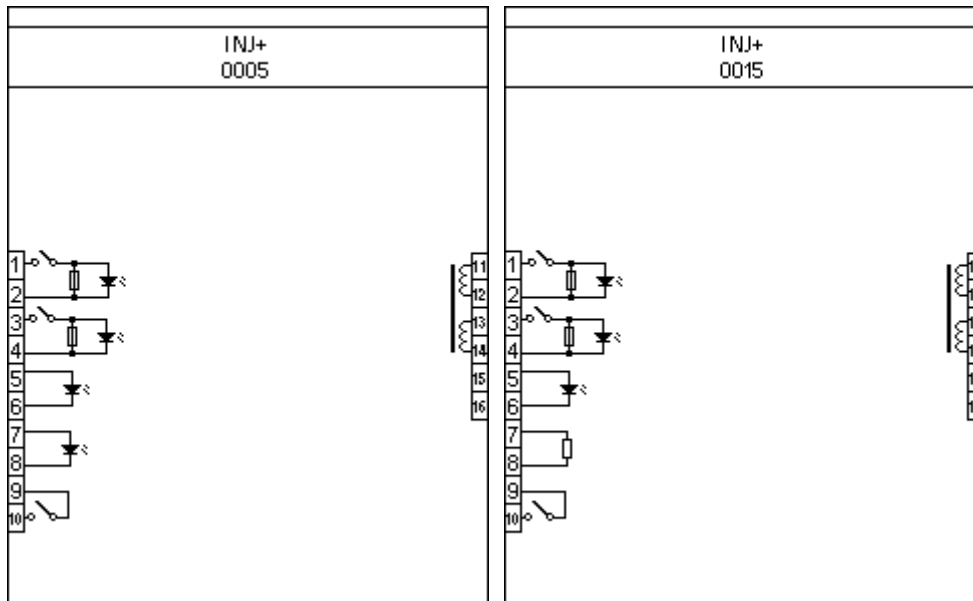


Figure 14-1 INJ modules

1.3.17. Generator protection modules

Special generator protection modules whose system measures and produces the necessary analog signals.

Connector types:

- The default and optionally available connector types are indicated for each module in the tables below. See Chapter 20.2 for details about each type.

MODULE TYPE	RAI+/01	RAI+/11	RINJ+/21
NOMINAL VOLTAGE	-	-	110 V / 220 V
INPUT VOLTAGE RANGE	-	-	88 - 264 V DC 80 - 250 V AC
OUTPUT VOLTAGE	-	-	100V DC \pm 2 %
MEASUREMENT RANGE	\pm 20 mA	\pm 20 mA	-
THERMAL WITHSTAND CONTINUOUS: 30 SEC:	15 mA 20 mA	10 mA 20 mA	20 mA
CONNECTOR TYPE	<u>Default:</u> STVS8 <u>Options:</u> -	<u>Default:</u> STVS8 <u>Options:</u> T*	<u>Default:</u> STVS8 <u>Options:</u> T*
RECOMMENDED APPLICATION	Rotor earth-fault protection of middle-grounded rotors	Rotor earth-fault protection of ungrounded (isolated) rotors	Rotor earth-fault protection of ungrounded (isolated) rotors

*By choosing this option, the connector remains the same, only the handle is changed

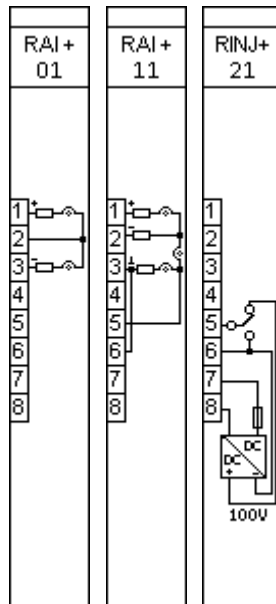


Figure 15-1 Generator protection modules

1.3.17.1. Auxiliary boxes for rotor earth fault protection

These DIN-rail mounted external boxes serve as couplings between the rotor (exciter circuit) of the generator and the corresponding RAI module of the protection device.

Note: the data about the resistances and capacitors provided here does not tell the actual time constants of the measured values, as those can be determined on-site only, when the rotor earth fault protection is being tested on the actual generator itself.

MODULE TYPE	RAI+01 BOX	RAI+11 BOX BASE	RAI+11 BOX EXTENSION*
MAXIMUM INPUT VOLTAGE	200 V, 300 V, 400 V, 500 V**	600 V	1200 V
SERIES RESISTANCE ON SIDES	10 k Ω , 15 k Ω , 20 k Ω , 25 k Ω **	35 k Ω	30 k Ω
FILTER CAPACITORS	4x10 μ F	2x1 μ F	-
CONNECTOR TYPE	Default: STVS6 Options: -	Default: STVS6 Options: -	Default: STVS6 Options: -
RECOMMENDED APPLICATION	Middle-grounded rotors	Ungrounded (isolated) rotors	Ungrounded (isolated) rotors

*This extension module can only be used together with RAI+11 BOX BASE module

**According to the chosen wiring

1.3.17.1.1. Use of auxiliary boxes

- **Ungrounded (isolated) rotors:**

If the excitation voltage is lower than 600 V, then it is enough to use the RAI+11 BOX BASE auxiliary box. If the excitation voltage is higher than 600 V, the RAI+11 BOX EXTENSION auxiliary box shall be used *additionally*, so the protection can connect to up to 1200 V excitation voltage.

- **Middle-grounded rotors**

Front drawings near the connectors on the box itself indicate the available maximum voltages. The choice from these shall be made according to the excitation voltage. Wiring shall be done according to the chosen voltage.

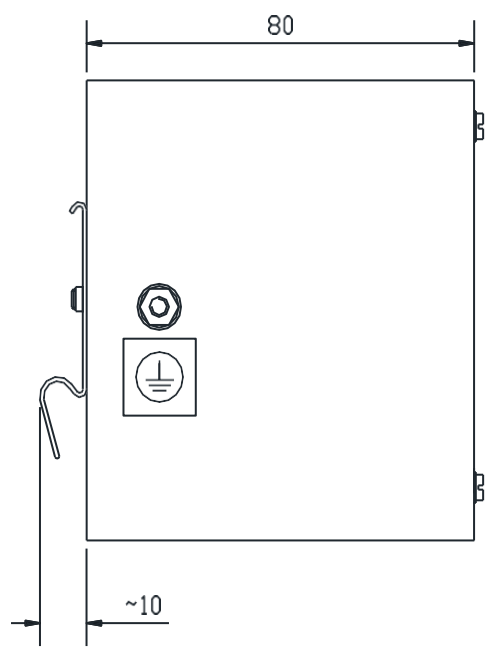
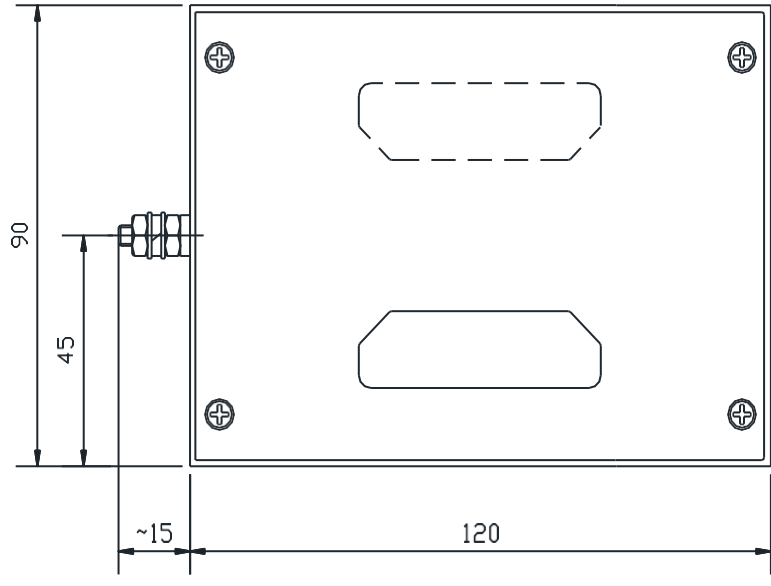


Figure 15-2 Size of the auxiliary boxes

1.3.17.2. Wiring of the rotor earth fault protection modules

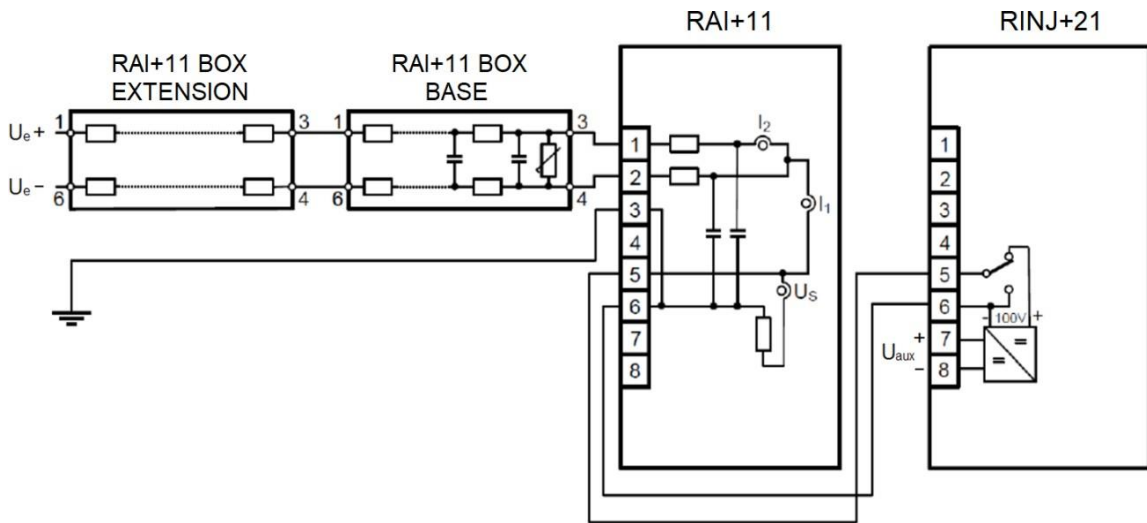


Figure 15-3 Wiring for ungrounded (isolated) rotors

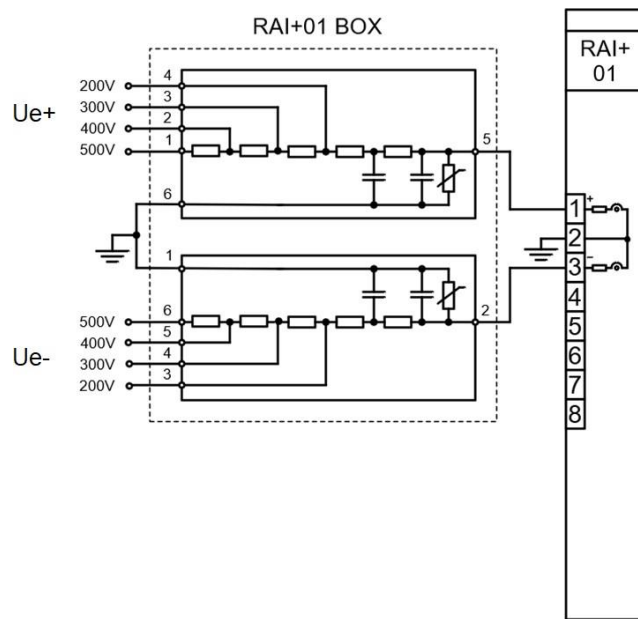


Figure 15-4 Wiring for middle-grounded rotors



1.3.18. Power supply module

The power supply module converts primary AC and/or DC voltage to required system voltages. In most applications, one power supply module is sufficient to provide the required power to the system. Redundant power supply modules extend system availability in case of the outage of any power source.

IMPORTANT

Depending on the hardware configuration, the power consumption of the devices can be different. We reserve the right to make the decision about which PS+ module must be used.

For most applications where the power consumption does not reach 20 W, a 4 HP wide PS+ module shall be installed.

Connector types:

- The default and optionally available connector types are indicated for each module in the tables below. See Chapter 20.2 for details about each type.

MODULE TYPE	PS+/4201 (4 HP wide)	PS+/2101 (4 HP wide)
RATED VOLTAGE	24 V DC / 48 V DC / 60 V DC	110 V DC / 220 V DC
INPUT VOLTAGE OPERATIVE RANGE	19.2 - 72 V DC	88 - 264 V DC 80 - 250 V AC
NOMINAL POWER	20 W	20 W
VOLTAGE DIP WITHSTAND AT 80% UN → 0% INPUT VOLTAGE CHANGE (IEC 60255-26)	50 ms	100 ms
INTERNAL FUSE	3.15A/250V	3.15A/250V
CONNECTOR TYPE	<u>Default:</u> BLA <u>Options:</u> T	<u>Default:</u> BLA <u>Options:</u> F, T



MODULE TYPE	PS+/2161*	PS+/2164**	PS+/4261*	PS+/4264**
RATED VOLTAGE	110 V DC / 220 V DC	110 V DC / 220 V DC	24 V DC / 48 V DC / 60 V DC	24 V DC / 48 V DC / 60 V DC
INPUT VOLTAGE OPERATIVE RANGE	88 - 264 V DC	88 - 264 V DC	19.2 - 72 V DC	19.2 - 72 V DC
MAX. CONTINUOUS POWER OUTPUT	60 W	60 W	60 W	60 W
VOLTAGE DIP WITHSTAND AT 80% UN → 0% INPUT VOLTAGE CHANGE (IEC 60255-26)	40 ms	40 ms	40 ms	40 ms
INTERNAL FUSE	3.15A/250V	3.15A/250V	8A/250V	8A/250V
CONNECTOR TYPE	<u>Default:</u> BLT <u>Options:</u> -	<u>Default:</u> BLT <u>Options:</u> -	<u>Default:</u> BLT <u>Options:</u> -	<u>Default:</u> BLT <u>Options:</u> -

***Can be connected in parallel.**Can be connected in parallel and supports auxiliary voltage measurement.**

MODULE TYPE	PS+/4401**	PS3F+/1001*
RATED VOLTAGE	48 V DC / 60 V DC	3x100 V AC (line voltage)
INPUT VOLTAGE OPERATIVE RANGE	38.4 - 72 V DC	80 - 120 V AC
MAX. CONTINUOUS POWER OUTPUT	30 W	20 W
VOLTAGE DIP WITHSTAND AT 80% UN → 0% INPUT VOLTAGE CHANGE (IEC 60255-26)	20 ms 30 ms at 100%Un → 0%	50 ms 100 ms at 100%Un → 0%
INTERNAL FUSE	3.15A/250V	2.5A/250V
CONNECTOR TYPE	<u>Default:</u> BLA <u>Options:</u> F, T	<u>Default:</u> BLA <u>Options:</u> -

***Special module.** At least 2 healthy phase voltages are needed for the operation of the PS3F+1001 module. LEDs on the front of the module indicate the presence of healthy phase voltages. For the correct internal signals connect the common point of the supplying 3 phase voltage to the 4th connector ("N").

****Can be connected in parallel.**

Main features:

- Fault relay contacts (NC and NO): device fault contact and also assignable to user functions. All the three relay contact points are accessible to users.
- Redundant applications (nominal power and reliability can be increased by using parallel power supplies)
- On-board self-supervisory circuits: temperature and voltage monitors
- Short-circuit-protected outputs
- Efficiency: > 70 %, power consumption = nominal power / efficiency
- Passive heatsink

- Early power failure indication signals to the CPU for the possibility of power outage, thus the CPU has enough time to save the necessary data to non-volatile memory
- Inrush current (until 0.1 s): < 10 A for all types excluding PS+4401 which has < 21 A inrush current.
- Common features for internal fuses:
 - 5 mm x 20 mm (0.20" x 0.79")
 - TT characteristics (very inverse time-lag)
 - 35 A @ 250 V AC rated breaking capacity
- Recommended external protection: miniature circuit breaker, 6 A (C char.)

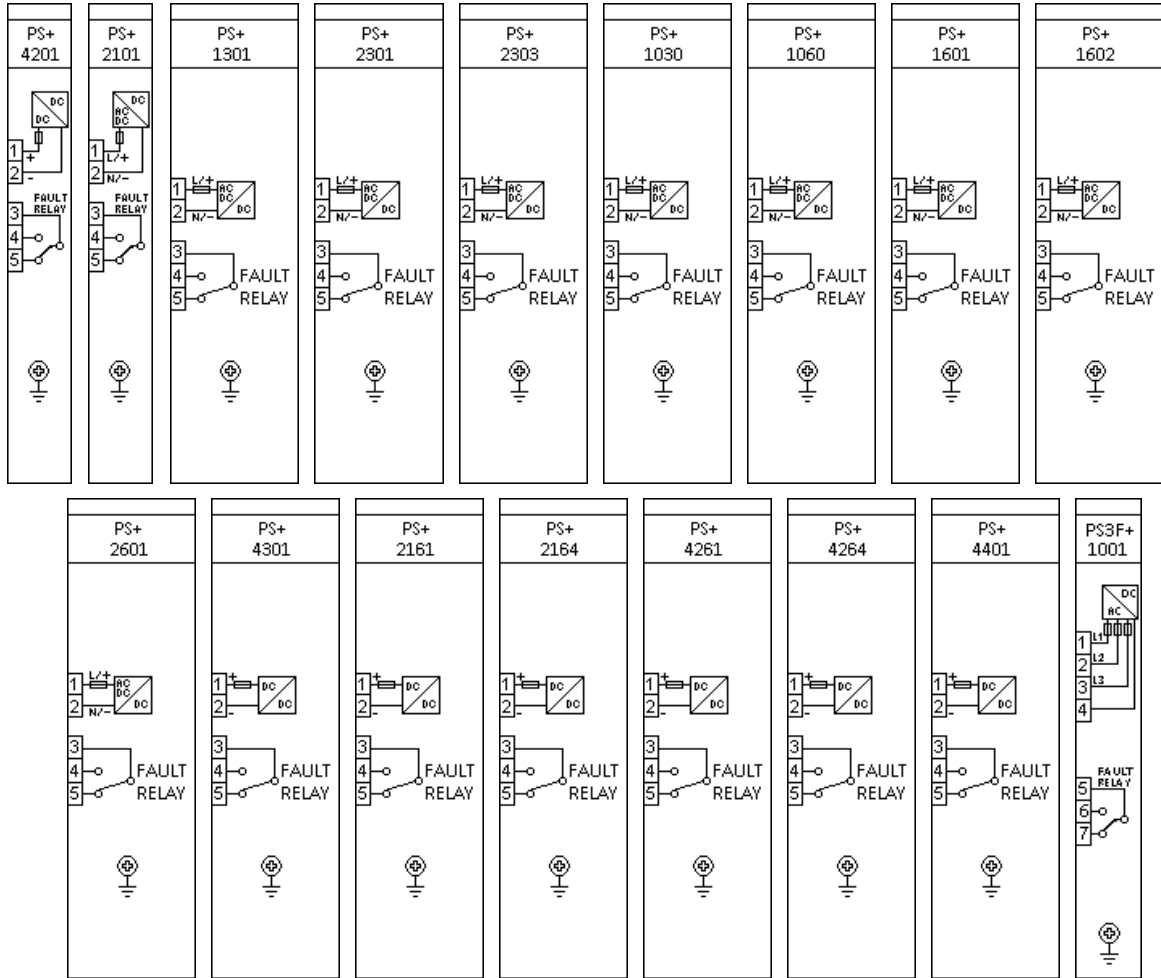


Figure 16-1 Power supply modules

1.3.19. Sampling synchronization module

The IED sampling system is synchronized via this module to an external source (IRIG-B) in PMU (Phasor Measurement Unit) applications. The PLL of the module handles the setting of the phase and frequency if valid IRIG-B signal is received. Note that the sampling signal is generated even if the IRIG-B signal is not present, however in that case, it runs independently.

MODULE TYPE	TSYNC+/0071
IRIG-B TYPE	B000 (unmodulated)
INPUT TYPE	BNC (coaxial)
SIGNAL THRESHOLD	5 VDC CMOS max. 5.5 VDC
MAX. CABLE LENGTH	50 m
CLAMP VOLTAGES	falling 1.7 VDC rising 3.1 VDC
SAMPLING ACCURACY*	< 100 ns
IRIG SYNCH. TIME	max. 1 minute
HOLDOVER TIME**	30 s
SAMPLING FREQUENCY	2 kHz @ 50 Hz 2.4 kHz @ 60 Hz
SAMPLING ACCURACY IN INDEPENDENT MODE***	< 1 ppm

*max. time difference between synchronized systems connecting to different GNSS (e.g. GPS)

**the sampling accuracy stays below the given value during this time if the IRIG-B signal is lost

***the accuracy of the 2/2.4 kHz sampling signal if an IRIG-B signal is not present

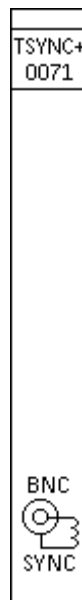


Figure 17-1 Sampling synchronization module

1.3.20. Mixed function modules

1.3.20.1. PSTP+ module

IMPORTANT

PSTP+ modules can be used only if the power consumption of the device does not reach 20 W and maximum 2 TRIP contacts are needed. If the application does not meet any of these two requirements, it is not allowed to use these cards. In this case separate PS+ (Chapter 16) and TRIP+ (Chapter 9) modules must be used.

Connector types:

- The default and optionally available connector types are indicated for each module in the tables below. See Chapter 20.2 for details about each type.

Note for the following tables:

- Thermal withstand voltage:** continuous with 60 % of the input channels are energized.

MODULE TYPE	PSTP+/2101	PSTP+/2102*	PSTP+/2131**
POWER SUPPLY CHARACTERISTICS			
RATED VOLTAGE	110 V / 220 V	110 V / 220 V	110 V / 220 V
INPUT VOLTAGE OPERATIVE RANGE	88 - 264 V DC 80 - 250 V AC	88 - 264 V DC 80 - 250 V AC	88 - 264 V DC 80 - 250 V AC
MAXIMUM CONTINUOUS POWER OUTPUT	20 W	20 W	20 W
VOLTAGE DIP DURATION AT 0% RESIDUAL VOLTAGE (IEC 60255-26)	min. 100 ms in the specified input voltage range	min. 100 ms in the specified input voltage range	min. 100 ms in the specified input voltage range
INTERNAL FUSE	3.15A/250V	3.15A/250V	3.15A/250V
CONNECTOR TYPE	Default: BLA Options: F, T	Default: BLA Options: F, T	Default: BLA Options: T
TRIPPING CHARACTERISTICS			
CHANNEL NUMBER	2	2	2
RATED VOLTAGE	110 V DC and 220 V DC or dry contacts	110 V DC and 220 V DC or dry contacts	110 V DC and 220 V DC or dry contacts
THERMAL WITHSTAND VOLTAGE	242 V DC	242 V DC	242 V DC
CONTINUOUS CARRY	8 A	8 A	8 A
MAKING CAPACITY	0.5 s, 30 A	0.5 s, 30 A	0.5 s, 30 A
BREAKING CAPACITY	L/R = 40 ms: 4 A DC	L/R = 40 ms: 4 A DC	L/R = 40 ms: 4 A DC
CONNECTOR TYPE	Default: BLA Options: F, T	Default: BLA Options: F, T	Default: BLA Options: T

*Special module that supports **auxiliary voltage measurement**. The module is calibrated to DC voltage measurement.

**Without trip circuit supervision

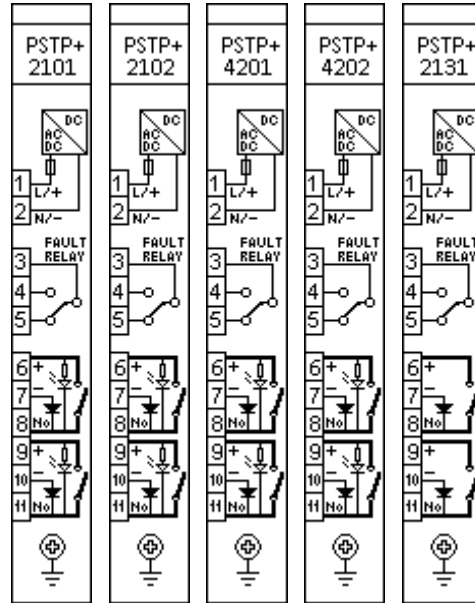


Figure 18-1 Power supply with 2 Ch. TRIP modules

1.3.20.1.1. Trip Circuit Supervision (TCS) in PSTP modules

Apart from the PSTP+/2131, all PSTP modules have TCS.

The technical data of the TCS in PSTP modules:

	MODULE TYPE	PSTP+/4201 PSTP+/4202	PSTP+/2101 PSTP+/2102
	INJECTED CURRENT AT "NO" CONTACT	1.5 mA	1.5 mA
MAXIMUM RESISTANCE OF THE TRIP COIL	3-WIRE WIRING (1 mA CURRENT)	8 kΩ (max. 8 V)	13 kΩ (max. 13 V)
	3-WIRE WIRING IN PARALLEL	4 kΩ (max. 8 V)	6.5 kΩ (max. 13 V)
	2-WIRE METHOD (1 mA MIN. CURRENT)	24 kΩ @ 24 V DC 48 kΩ @ 48 V DC 60 kΩ @ 60 V DC	110 kΩ @ 110 V DC 220 kΩ @ 220 V DC

Main features (according to IEC 60255-26):

- Maximum switching voltage: 400 V AC
- Breaking capacity: (L/R=40 ms) at 220 V DC: 0.2 A, at 110 V DC: 0.3 A
- Breaking capacity max.: 2000 VA
- Short time carrying capacity: 1 s, 35 A
- Limiting making current, max. 4 s: 15 A (df = 10 %)
- Dielectric strength between open contacts, 1 min: 1000 V_{RMS}
- Mechanical endurance: 10 × 10⁶ cycles
- Circuit closing capability: typically 10 ms, maximally 22 ms.
- Bounce time: typically 6,5 ms, maximally 10 ms.
- Minimal switching requirement: 5 V

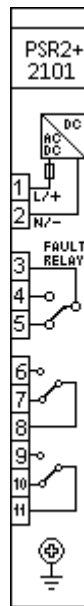
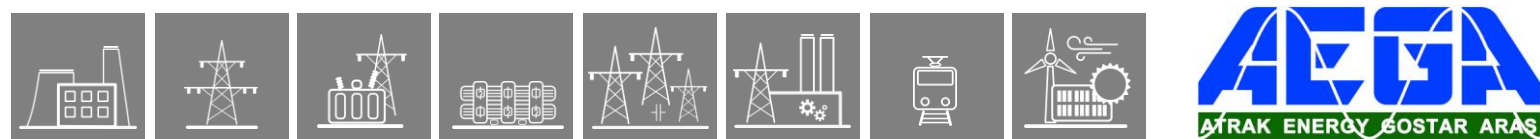


Figure 18-2 Power supply with 2 Ch. signaling modules



1.3.20.3. O6R5+ module

The O6R5+ module contains 6 binary input channels in one grounding group, and 5 relay outputs with 2 × 2 NO contacts and one CO contact.

Connector types:

- The default and optionally available connector types are indicated for each module in the tables below. See Chapter 20.2 for details about each type.

Notes for the following table:

- **Thermal withstand voltage:** continuous with 60 % of the input channels are energized.
- **Clamp voltage:** these are the guaranteed values; the actual ones might differ from those provided here (falling and rising around 0.66 U_N and 0.77 U_N , respectively)

MODULE TYPE	O6R5+/2101	O6R5+/4201
BINARY INPUT CHARACTERISTICS		
CHANNEL NUMBER	6	6
RATED VOLTAGE	110 V / 220 V user selectable on channel basis by jumpers	24 V / 48 V user selectable on channel basis by jumpers
TIME SYNCHRONIZATION	configured by EuroCAP	configured by EuroCAP
THERMAL WITHSTAND VOLTAGE	320 V	72 V
CLAMP VOLTAGE	falling 0.64 U_N rising 0.8 U_N	falling 0.64 U_N rising 0.8 U_N
COMMON GROUPS	1 × 6 common	1 × 6 common
RELAY OUTPUT CHARACTERISTICS		
RATED VOLTAGE	250 V AC/DC	250 V AC/DC
CONTINUOUS CARRY	8 A	8 A
CONTACT VERSIONS	4 NO, 1 CO	4 NO, 1 CO
GROUP ISOLATION	2 × 2 common, 1 independent	2 × 2 common, 1 independent
CONNECTOR TYPE FOR BOTH BINARY INPUT AND RELAY OUTPUT	<u>Default:</u> BLA <u>Options:</u> T	<u>Default:</u> BLA <u>Options:</u> T

Main features for binary inputs:

- Digitally filtered per channel
- Current drain:
 - max. 1.6 mA per channel at 220 V DC
 - max. 1.8 mA per channel at 110 V DC
 - max. 2 mA per channel at 48 V DC
 - max. 3 mA per channel at 24 V DC
- In such applications where the input voltage is 60 V the modules with 48 V rated voltage can be used.
- Input voltage type can be either DC or AC voltage. If AC voltage is used make sure that the type and the parameters of the binary inputs are configured properly in EuroCap tool.

Main features for signaling outputs:

- Maximum switching voltage: 400 V AC
- Breaking capacity, (L/R=40 ms) at 220 V DC: 0.1 A, at 110 V DC: 0.2 A
- Breaking capacity max.: 2000 VA
- Short time carrying capacity: 1 s, 35 A
- Limiting making current, max. 4 s: 15 A (df = 10 %)
- Initial dielectric strength between open contacts, 1 min: 1000 V_{RMS}
- Circuit closing capability: typically 10 ms, maximally 22 ms.
- Bounce time: typically 6,5 ms, maximally 10 ms.
- Mechanical endurance: 10 × 10⁶ cycles
- Circuit closing capability

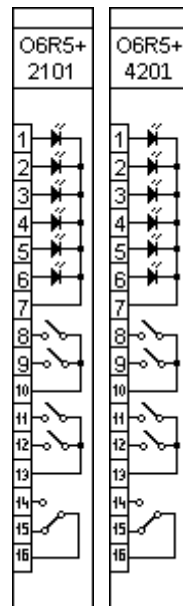


Figure 18-3 Binary input/output modules



1.3.20.4. Binary input module with time synchronization

The inputs are galvanically isolated and the module converts high-voltage signals to the voltage level and format of the internal circuits. This module is also used as an external IRIG-B synchronization (**IRIG-B000, unmodulated**), PPM or PPS input. Dedicated synchronization input is used for this purpose.

Connector types:

- The default and optionally available connector types are indicated for each module in the tables below. See Chapter 20.2 for details about each type.

Notes for the following table:

- **Thermal withstand voltage:** continuous with 60 % of the input channels are energized.
- **Clamp voltage:** these are the guaranteed values; the actual ones might differ from those provided here (falling and rising around $0.66 U_N$ and $0.77 U_N$, respectively)

MODULE TYPE	O9S+/2111	O9S+/2121	O9S+/4221
CHANNEL NUMBER	9	9	9
SYNCHRON CHANNEL TYPE AND NUMBER	1 isolated BNC connector	1 850 nm multimode fiber with ST connector	1 850 nm multimode fiber with ST connector
RATED VOLTAGE	110 V DC / 220 V DC user selectable by jumpers	110 V DC / 220 V DC user selectable by jumpers	24 V DC / 48 V DC user selectable by jumpers
THERMAL WITHSTAND VOLTAGE	320 V	320 V	72 V
WITHSTAND VOLTAGE FOR SYNC. INPUT	35 V _{PEAK}	-	-
CLAMP VOLTAGE	falling $0.64 U_N$ rising $0.8 U_N$	falling $0.64 U_N$ rising $0.8 U_N$	falling $0.64 U_N$ rising $0.8 U_N$
COMMON GROUPS	9 (3 × 3 common)	9 (3 × 3 common)	9 (3 × 3 common)
CONNECTOR TYPE	<u>Default:</u> BLA <u>Options:</u> T	<u>Default:</u> BLA <u>Options:</u> F, T	<u>Default:</u> - <u>Options:</u> F, T

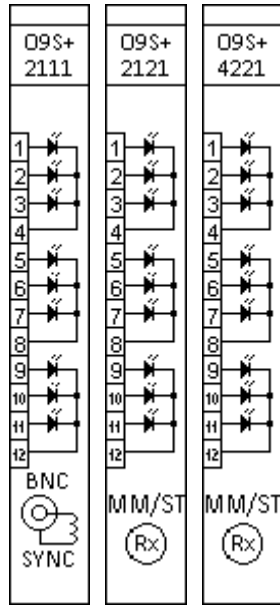


Figure 18-4 Binary input modules with time synchronization

1.3.20.5. Externally driven trip module

The R4MC+01 is a special TRIP module, which can be operated from the connector side. It also has two diode inputs with cathodes which are connected and led to the connector side.

Connector types:

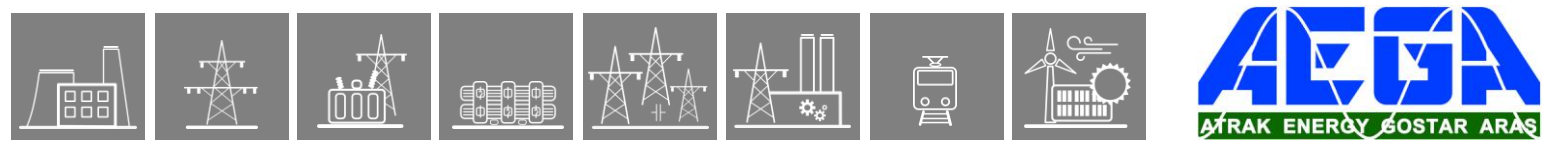
- The default and optionally available connector types are indicated for each module in the tables below. See Chapter 20.2 for details about each type.

Module type	R4MC+/01*
CHANNEL NUMBER	2
RATED VOLTAGE	110 V DC
THERMAL WITHSTAND VOLTAGE	132 V DC
CONTINUOUS CARRY	8 A
MAKING CAPACITY	0.5 s, 30 A
BREAKING CAPACITY	L/R = 40 ms: 4 A DC
DIODE PROPERTIES	1 A, 1000 V DC
CONNECTOR TYPE	<u>Default:</u> BLA <u>Options:</u> F

*Special module



Figure 18-5 Externally driven TRIP module



1.3.21. General data

- Storage temperature: - 40 °C ... + 70 °C
- Operation temperature: - 20 °C ... + 55 °C
- Humidity: 10 % ... 93 %
- Altitude: up to 2000 m
- Atmospheric pressure: 86 ... 106 kPa



1.3.21.1. Standard conformance

- Electrostatic discharge immunity (ESD), IEC-EN 60255-26:2013, Level 4
 - Test voltages: 15 kV air discharge, 8 kV contact discharge
- Radiated, radio-frequency, electromagnetic field immunity, IEC-EN 60255-26:2013 Level 3
 - Test field strength: 10 V/m
- Electrical fast transient/burst immunity (EFT/B), IEC-EN 60255-26:2013, Level 4
 - Test voltage: 4 kV
- Surge immunity test, IEC-EN 60255-26:2013
 - Test voltages: 4 kV line-to-earth, 2 kV line-to-line
- Immunity to conducted disturbances, induced by radio-frequency fields, IEC-EN 60255-26:2013, Level 3
 - Test voltage: 10 V
- Damped oscillatory wave immunity test, IEC-EN 60255-26:2013
 - Test frequency: 1 MHz
 - Test voltage: 2.5 kV in common mode, 1 kV in differential mode
- Voltage dips, short interruptions and voltage variations immunity, IEC-EN 60255-26:2013
 - Voltage dips: 40 % (200 ms), 70 % (500 ms), 80 % (5000 ms)
- Ripple on d.c. input power port immunity, IEC-EN 60255-26:2013
 - Level 4, 15 % of rated d.c. value
- Power frequency magnetic field immunity test, IEC-EN 60255-26:2013, Level 5
 - Test field strength: 100 A/m continuous, 1000 A/m for 3 s
- Power frequency immunity test on the binary inputs, IEC-EN 60255-26:2013, Class A
 - Test voltages: 300 V in common mode, 150 V in differential mode
- Insulation tests, IEC-EN 60255-27:2013
 - Impulse voltage test
 - Test levels: 5 kV (1 kV for transducer and temperature measuring inputs)
 - Dielectric test
 - Test levels: 2 kV AC 50 Hz (0.705 kV DC for transducer inputs)
 - Insulation resistance
 - Insulation resistance > 15 GΩ
- Radiated emission, IEC-EN 60255-26:2013

Limits:

 - 30 MHz to 230 MHz: 50 dB(μV/m) quasi peak, 3 m
 - 230 MHz to 1 000 MHz: 57 dB(μV/m) quasi peak, 3 m
 - 1 GHz to 3 GHz: 76 dB(μV/m) peak, 3 m
 - 3 GHz to 6 GHz: 80 dB(μV/m) peak, 3 m
- Conducted emission, IEC-EN 60255-26:2013

Limits:

 - 0,15 MHz to 0,50 MHz: 79 dB(μV) quasi peak, 66 dB(μV) average
 - 0,5 MHz - 30 MHz: 73 dB(μV) quasi peak, 60 dB(μV) average
- Vibration, shock, bump and seismic tests on measuring relays and protection equipment
 - Vibration tests (sinusoidal), Class I, IEC 60255-21-1:1988
 - Shock and bump tests, Class I, IEC 60255-21-2:1988
 - Seismic tests, Class I, IEC 60255-21-3:1993



1.3.22. Mechanical data

1.3.22.1. General mechanical data

- Construction: chromate aluminum surface with built-in EMC accessories
 - If the power consumption of a 84 HP or 42 HP device does not exceed 30 W (84 HP) or 14 W (42 HP), the construction will be built with solid top and bottom cover panels.
 - If the power consumption exceeds 30 W (84 HP) or 14 W (42 HP), the construction will be built with (honeycomb) perforated top and bottom cover panels.
- EMC rack protects against electromagnetic environmental influences and protects the environment from radiation from the interior
- IP protection:
 - 24 HP panel instrument case: IP4x; optionally IP54 (front)
 - 84 HP and 42 HP (including double) rack: IP4x from front side, IP2x from rear side; optionally IP54 (front)
- Size:
 - 19" (84 HP), 3 U, single rack
 - ½ 19" (42 HP), 3 U, single rack
 - ½ 19" (42 HP), 6 U, double rack
 - 24 HP, panel instrument case
- Weight:
 - 84 HP: max. 8 kg
 - 42 HP, 3 U: max. 4.5 kg
 - 42 HP, 6 U: max. 8 kg
 - 24 HP: max. 3 kg

1.3.22.2. Connectors

Optionally, certain modules can be equipped with different terminals for different connectors. The available choices are listed among each module's technical data with their *short ID* (see the first column of the table below).

The type of the used terminal is indicated on the module's label with its *short ID* (see the following example). The actual type of the connector is chosen according to the number of the available pins of the module.

Example: the *VT+/2211* module may have four types of connectors. In its description (Chapter 6), these are indicated with their ID:

- The default terminal is indicated with nothing attached (*VT+/2211*), only its name (BLA) is mentioned. Since it has 8 pins, the type is BLA 8/180
- The flanged terminal's *short ID* is **F**, so the module's label will be "*VT+/2211F*", if it is equipped with this terminal (BLA 8B/180)
- Top-screw terminal: **T**, the label becomes "*VT+/2211T*" (BLT 5.08HC/08/180F)
- Ring-lug terminal: **R**, so the module's label shall be "*VT+/2211R*"

CONNECTOR NAME (SHORT ID)	CONNECTOR TYPES	STRIP LENGTH [MM]	CONDUCTOR AREA [MM ²]	CONDUCTOR DIAMETER [MM]	TIGHTENING TORQUE [Nm]	MINIMUM BEND RADIUS*
BLA (-)	Weidmüller BLA 2/180, BLA 3/180, BLA 4/180, BLA 6/180, BLA 8/180, BLA 10/180, BLA 12/180, BLA 13/180, BLA 16/180	7	0.2 – 1.5 solid: 0.2 – 2.5	0.5 – 1.4 solid: 0.5 – 1.8	0.4 – 0.5	3 × OD**
BL 3.5 (-)	Weidmüller BL 3.5/05/180 BL 3.5/09/180	6	0.2 – 1.5	0.5 – 1.4	0.2 – 0.25	3 × OD**
FLANGED (F)	Weidmüller BLA 2B/180, BLA 3B/180, BLA 4B/180, BLA 6B/180, BLA 8B/180, BLA 10B/180, BLA 12B/180, BLA 16B/180	7	0.2 – 1.5 solid: 0.2 – 2.5	0.5 – 1.4 solid: 0.5 – 1.8	0.4 – 0.5	3 × OD**
TOP-SCREW (T)	Weidmüller BLT 5.08HC/06/180F, BLT 5.08HC/08/180F, BLT 5.08HC/12/180F, BLT 5.08HC/16/180F	13	0.2 – 1.5 solid: 0.2 – 2.5	0.5 – 1.4 solid: 0.5 – 1.8	0.4 – 0.5	3 × OD**
RING-LUG (R)	TE Connectivity BC6-Q308-08	-	0.33 – 3.31	0.65 – 2.05	0.79	3 × OD**

* Bend radius is measured along the inside curve of the wire or wire bundles.

** OD is the outer diameter of the wire or cable, including insulation.



CONNECTOR NAME (SHORT ID)	CONNECTOR TYPES	STRIP LENGTH [MM]	CONDUCTOR AREA [MM ²]	CONDUCTOR DIAMETER [MM]	TIGHTENING TORQUE [Nm]	MINIMUM BEND RADIUS*
STVS (-)	Weidmüller STVS 6 SB, STVS 8 SB	9	0.5 – 4	0.8 – 2.3	0.5 – 0.6	3 × OD**
B2L 3.5	Weidmüller B2L 3.5	7	0.2 – 1	0.5 – 1.1	tension clamp connection	3 × OD**
ST/FC/LC	Bayonet/Screw/Snap Fiber Optic	-	-	-	-	30 mm
PE FASTON TERMINAL	TE Connectivity 6.3x0.8	7	min. 4	min. 2.3	-	3 × OD**

* Bend radius is measured along the inside curve of the wire or wire bundles.

** OD is the outer diameter of the wire or cable, including insulation.

The tightening torque of the screw for protective earth connection and the wall mounting must be approx. 5 Nm.

The tightening torque of the screw for fastening the STVS connector must be approx. 1 Nm.

The minimum distance between an EP+ device and its wire channel must be at least 3 cm.

The minimum distance between two EP+ devices must be at least 10 cm.

During the installation make sure that the shortest possible length for PE (Protective Earth) cable routing is applied.

1.3.23. Mounting methods

- Flush mounting
 - 84 HP single rack
 - 42 HP single rack
 - 42 HP double rack
 - 24 HP panel instrument case
 - Remote HMI
- Rack mounting
 - 84 HP single rack
 - 42 HP single rack
 - Remote HMI
- Semi-flush mounting
 - 84 HP single rack
 - 42 HP single rack
 - 24 HP panel instrument case
 - Remote HMI
- Wall mounting (with terminals)
 - 84 HP single rack
 - 42 HP single rack
- Din rail mounting
 - 24 HP panel instrument case
- IP54 rated mounting
 - 84 HP single rack
 - 42 HP single rack
 - 24 HP panel instrument case (original frame with additional gasket)
- Fold-down mounting (with optional terminals)
 - 84 HP single rack
 - 42 HP single rack
- No mounting
 - 84 HP single rack
 - 42 HP single rack

MOUNTING METHOD	84 HP SINGLE RACK	42 HP SINGLE RACK	42 HP DOUBLE RACK	24 HP PANEL INSTRUMENT CASE	REMOTE HMI
FLUSH MOUNTING	X	X	X	X	X
RACK MOUNTING	X	X			X
SEMI-FLUSH MOUNTING	X	X		X	X
WALL MOUNTING (WITH TERMINALS)	X	X			
DIN RAIL MOUNTING				X	
IP54 RATED MOUNTING	X	X		X*	
FOLD-DOWN MOUNTING	X	X			

*additional gasket inserted into the original front panel frame



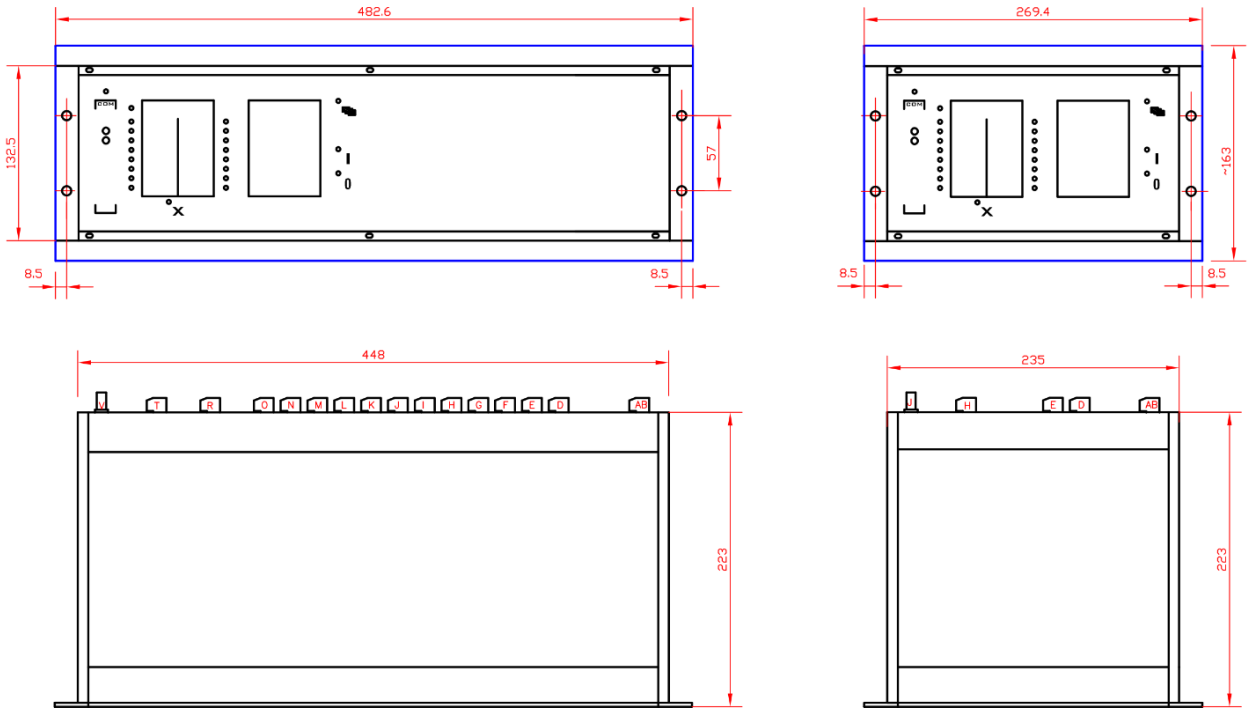
It is recommended to leave at least 80 mm free space for the wiring at the back of the IED in case of Flush mounting, Rack mounting, and Semi-flush mounting.

1.3.23.1. Flush mounting

Flush mounting can be used for all size of racks (84 HP, 42 HP, double 42 HP) including the 24 HP panel instrument case and the remote HMI devices. When this type of mounting alternative is used the 84 HP, 42 HP, double 42 HP and remote HMI devices have got a cover profile fit on and the 24 HP devices have got a mounting frame fit on.

The dimensions of the cut-outs for the 84 HP and 42 HP devices are also applicable for the same sized remote HMI devices.

1.3.23.1.1. Flush mounting of 84 HP and 42 HP single rack



PANEL CUT-OUT

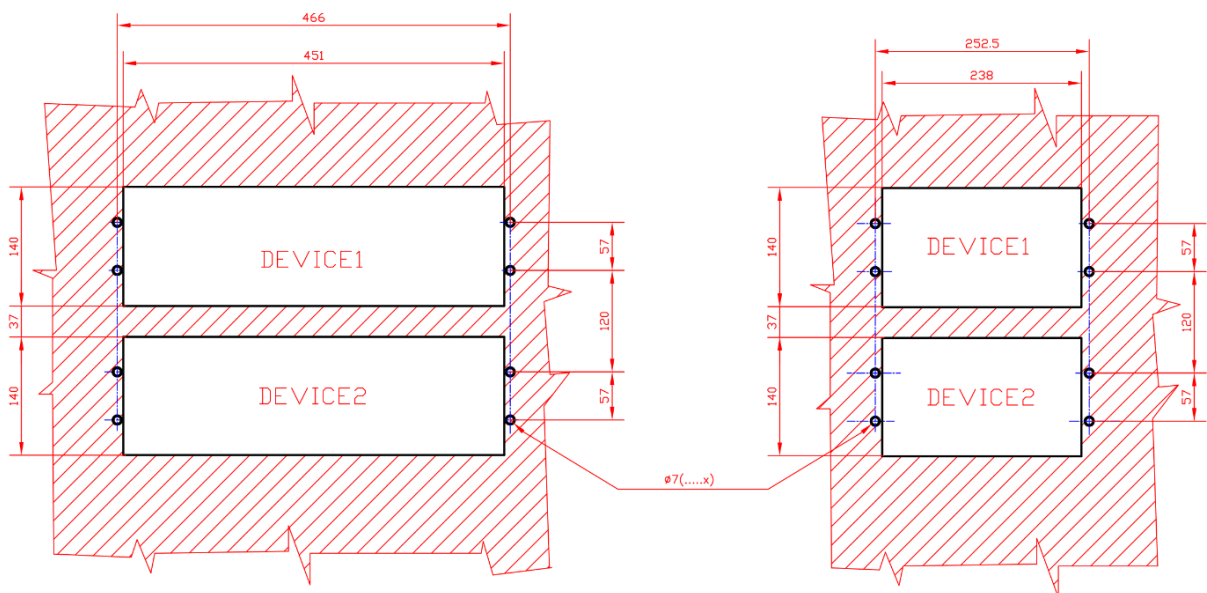


Figure 21-1 Dimensions for flush mounting of 84 HP and 42 HP single rack

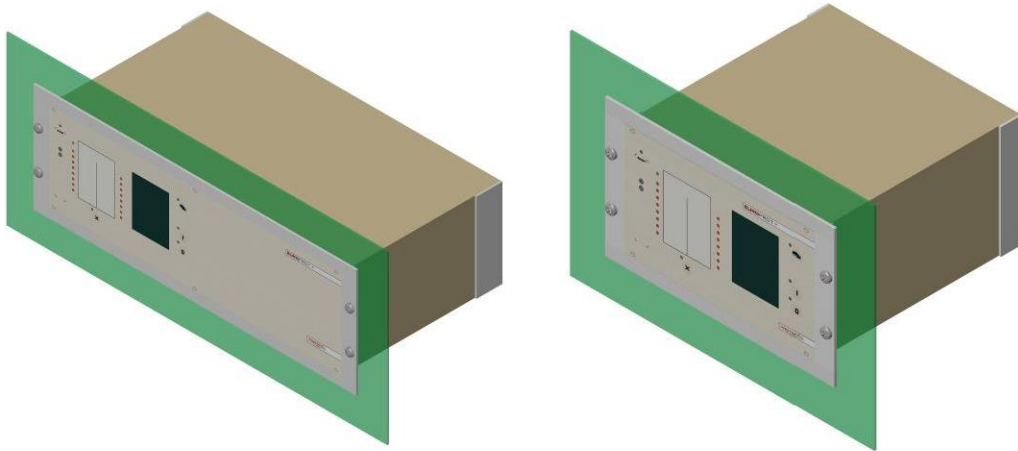


Figure 21-2 3D illustration for flush mounting of 84 HP and 42 HP devices

1.3.23.1.2. Flush mounting of 42 HP double rack

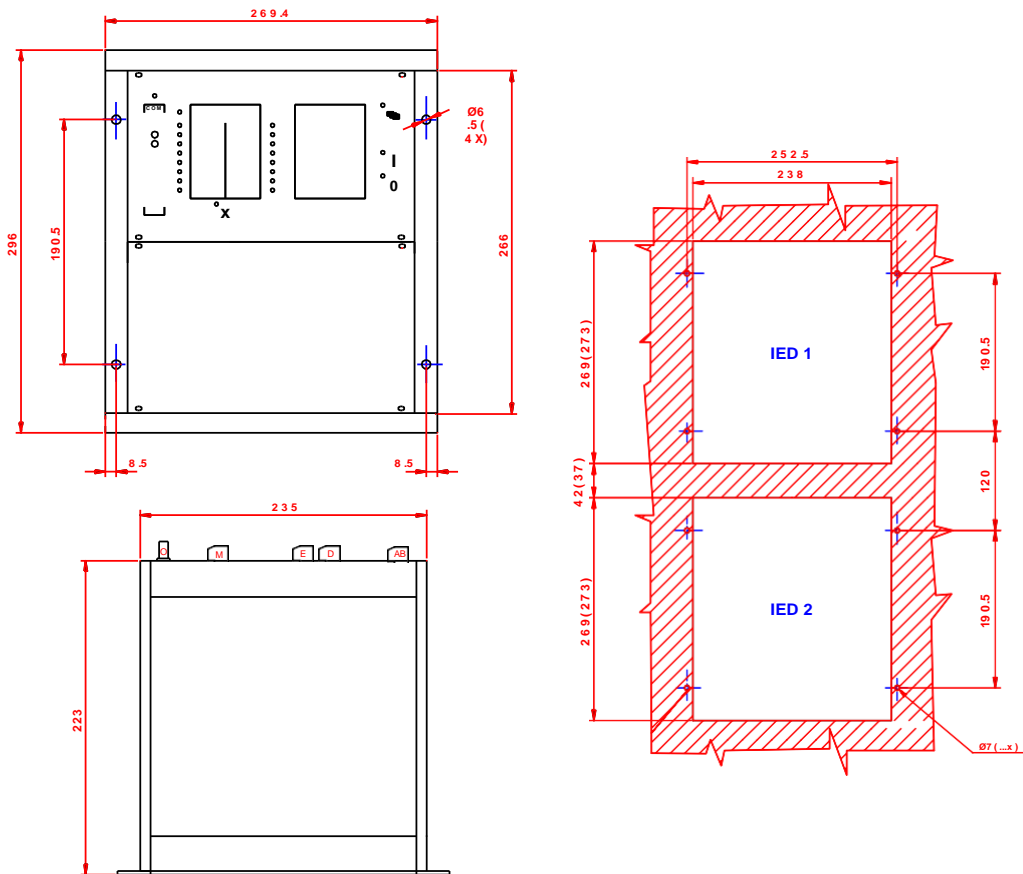


Figure 21-3 Dimensions for flush mounting of 42 HP double rack



Figure 21-4 42 HP wide cover profile

1.3.23.1.3. Flush mounting of 24 HP panel instrument case

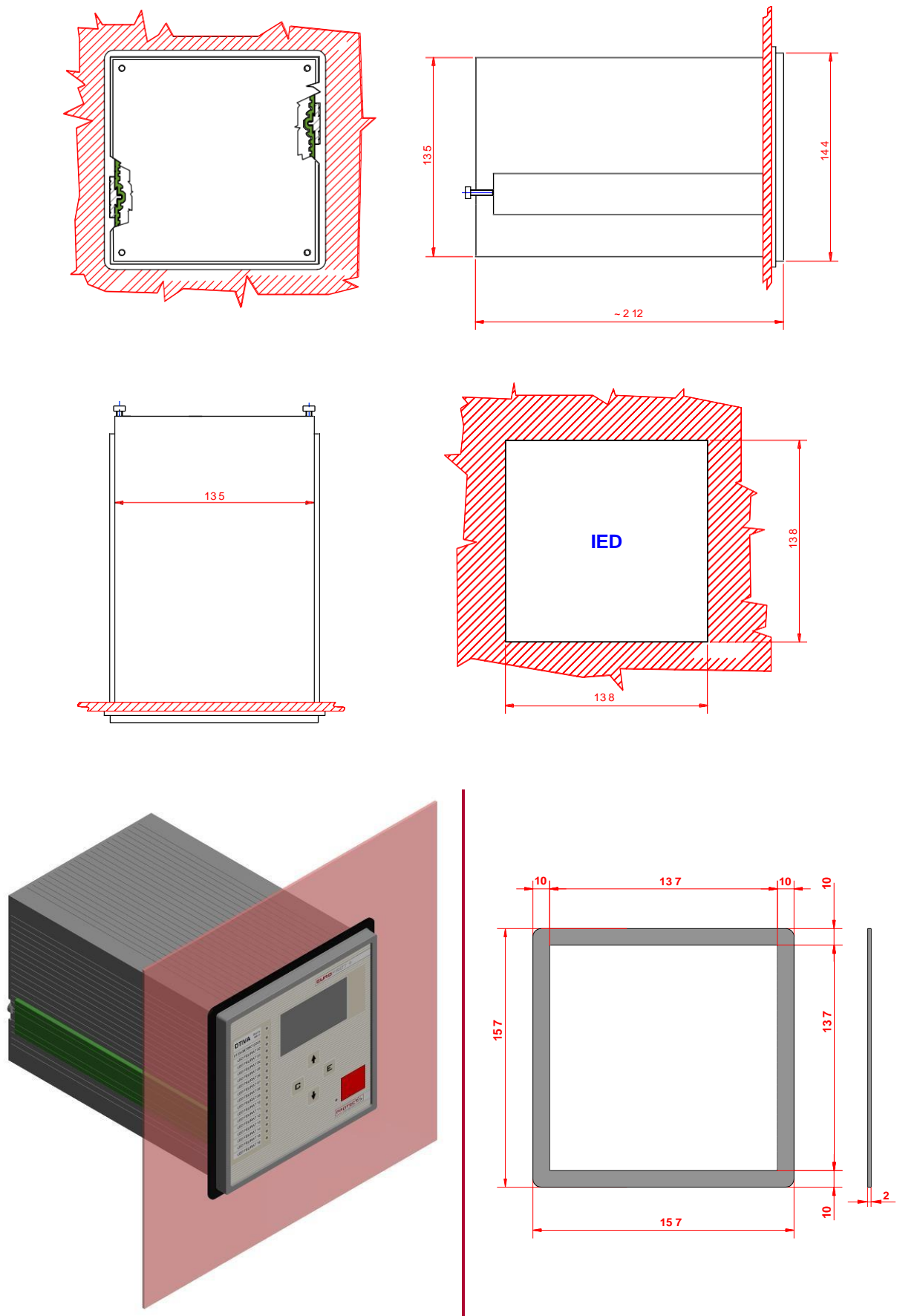


Figure 21-5 Dimensions for flush mounting of 24 HP panel instrument case with 3D illustration

1.3.23.2. Rack mounting

When rack mounting is used, the devices do not have a cover profile fit on, so it is possible to mount them in a 19" rack.

1.3.23.2.1. Rack mounting of 84 HP and 42 HP single rack

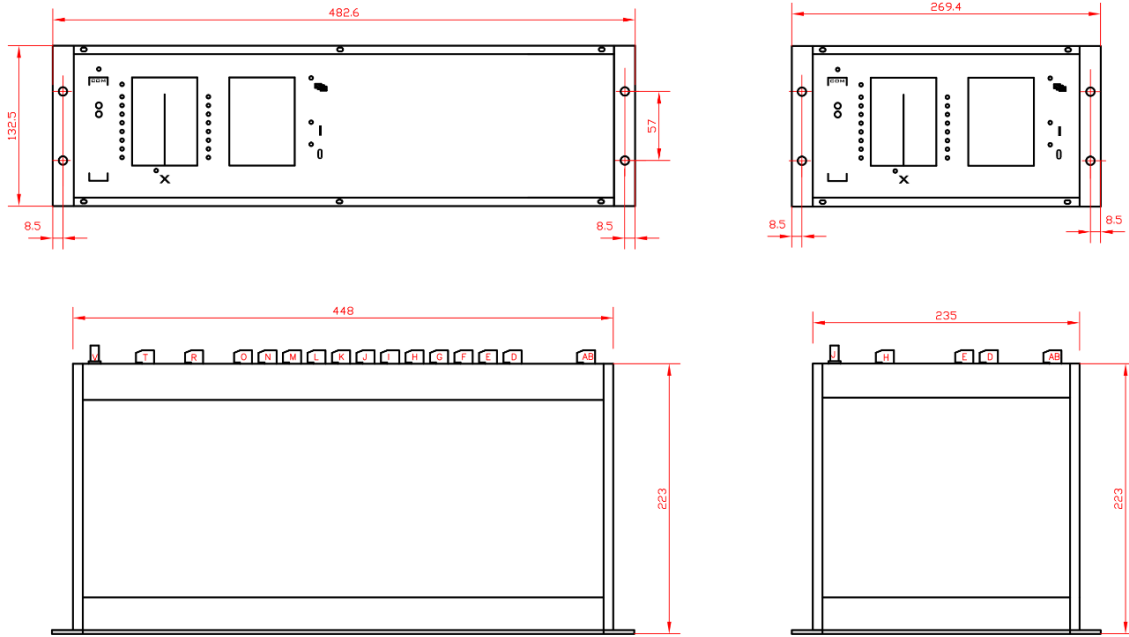


Figure 21-6 Dimensions for rack mounting of 84 HP and 42 HP single rack

Note that rack mounting type devices can also be mounted in a cut-out (e.g. on a switchgear door). It is possible to mount them from the front or from the back of the cut-out. The dimensions for rack mounting cut-outs are in the figure below. Dimensions in brackets are applicable in case of mounting from the back.

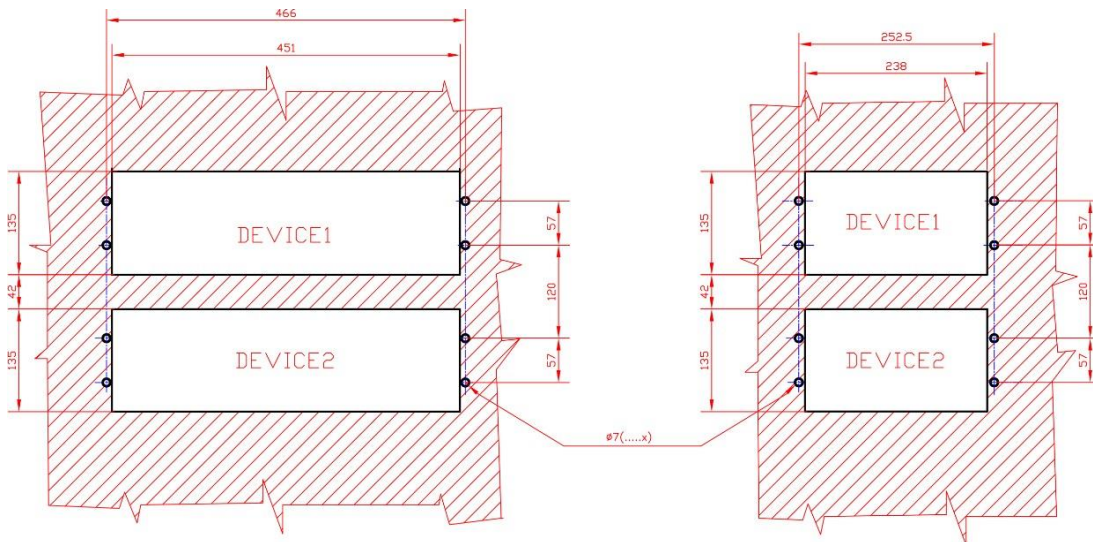
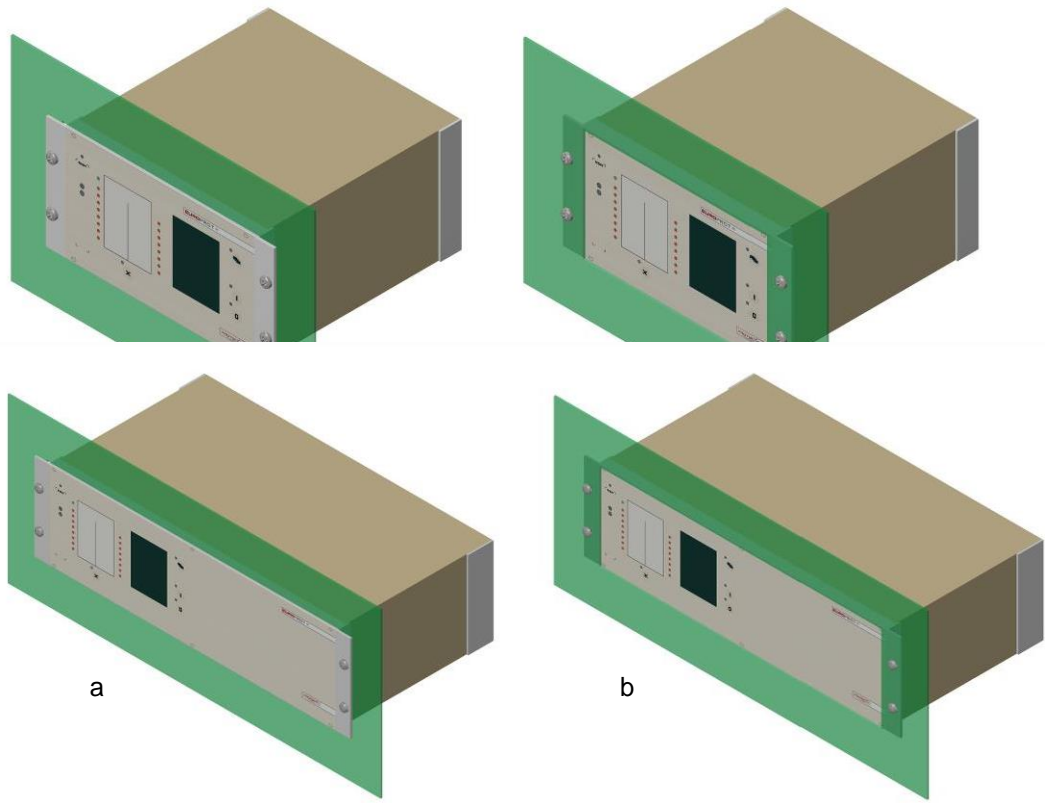


Figure 21-7 Dimensions of rack mounting cut-outs



*Figure 21-9 3D illustration for rack mounting of 84 HP device
(a - from the front; b - from the back)*

1.3.23.3. Semi-flush mounting

Semi-flush mounting can be used for 84 HP and 42 HP single racks, for 24 HP panel instrument cases and for remote HMI devices. The purpose of this type of mounting alternative is to reduce the depth of the devices in the switchgear/rack if there is not enough space in that direction. To achieve this, a special mounting collar must be fit on the rack type devices. The default color of the mounting collar is grey (RAL 7035).

The dimensions of the special mounting collars and the cut-outs for the 84 HP and 42 HP devices are also applicable for the same sized remote HMI devices.

1.3.23.3.1. Semi-flush mounting of 84 HP single rack

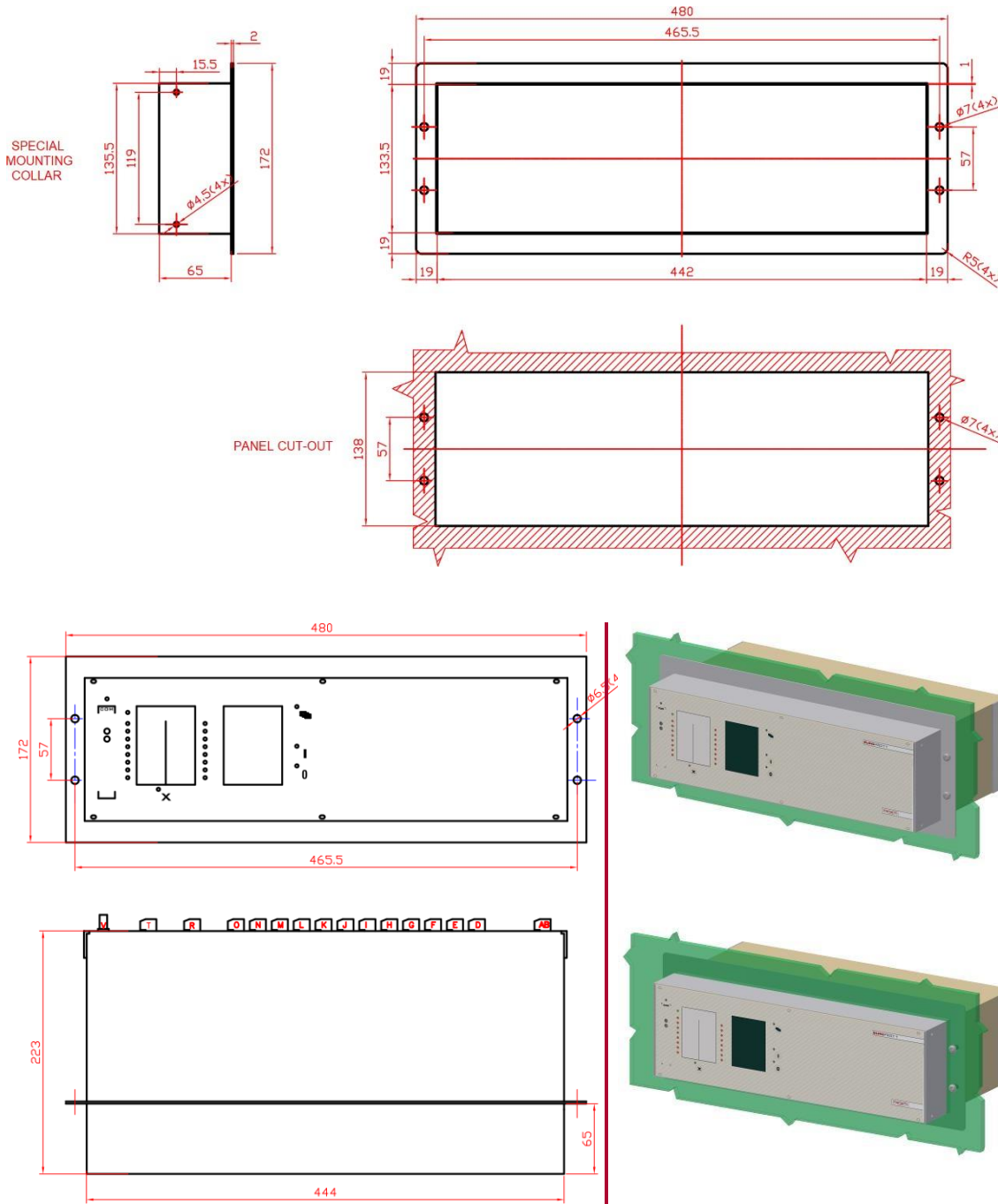


Figure 21-11 Dimensions for semi-flush mounting of 84 HP single rack with 3D illustration

1.3.23.3.2. Semi-flush mounting of 42 HP single rack

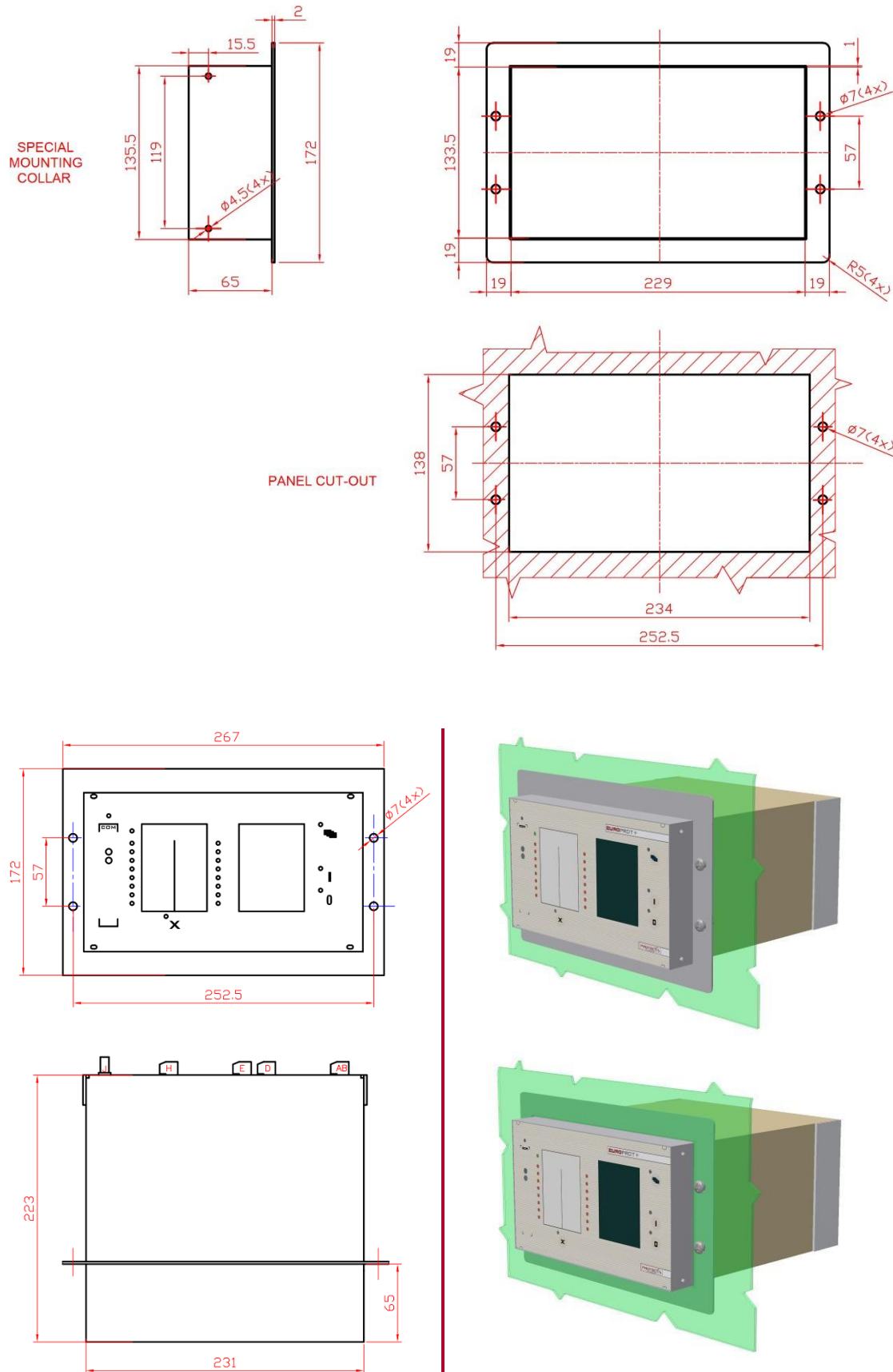
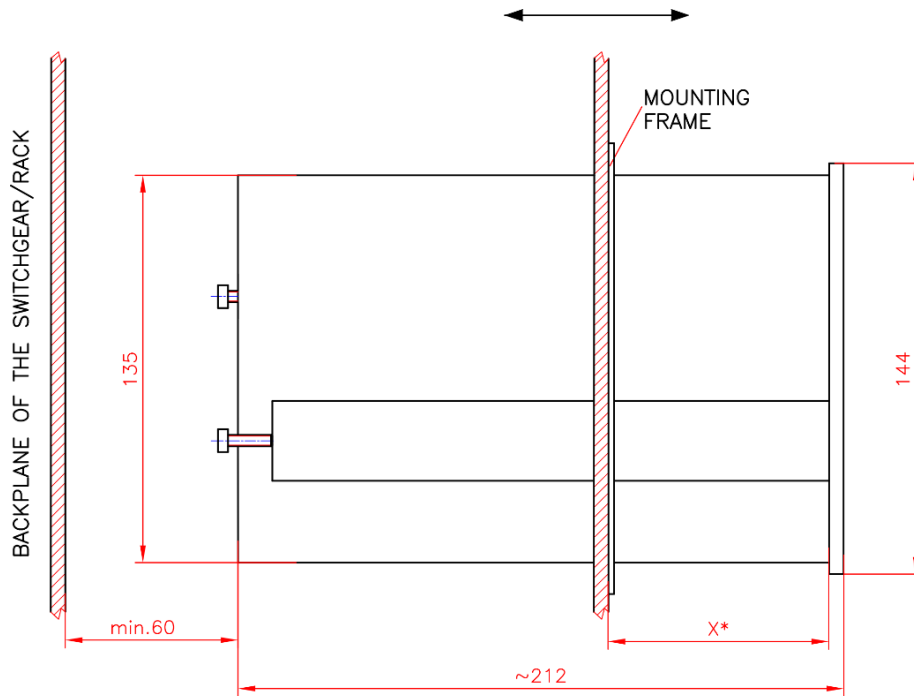


Figure 21-12 Dimensions for semi-flush mounting of 42 HP single rack with 3D illustration

1.3.23.3.3. Semi-flush mounting of 24 HP panel instrument case

The dimensions of the panel cut-out for this type of mounting method are the same as in case of flush mounting (138 mm x 138 mm). For semi flush mounting, it is enough to cut in two the fixing elements (with green colour in the 3D illustration below) and to make the assembly as shown in the pictures below.

Note that the IP54 front panel option cannot be utilized with this type of mounting.



*X: depending on the position of the cutting, the frame can be placed freely

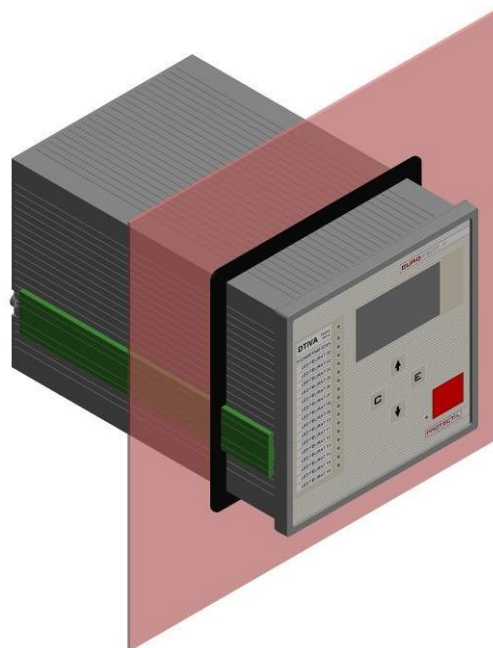


Figure 21-13 Dimensions for semi-flush mounting of 24 HP panel instrument case with 3D illustration

1.3.23.4. Wall mounting of 42 HP and 84 HP devices

Depending on the amount of the terminal contacts, it is possible to use both upper and lower terminals.

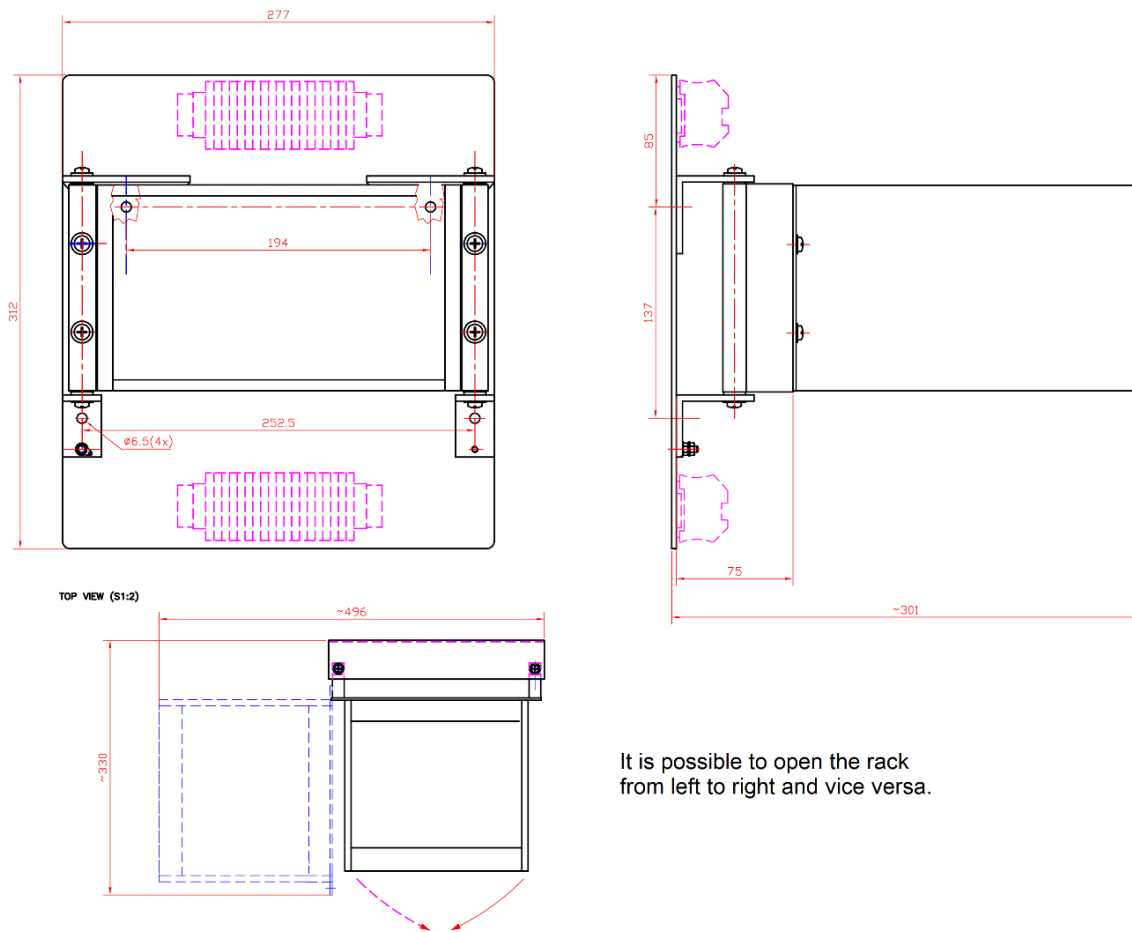


Figure 21-14 Dimensions for wall mounting of 42 HP devices (upper and lower terminals)

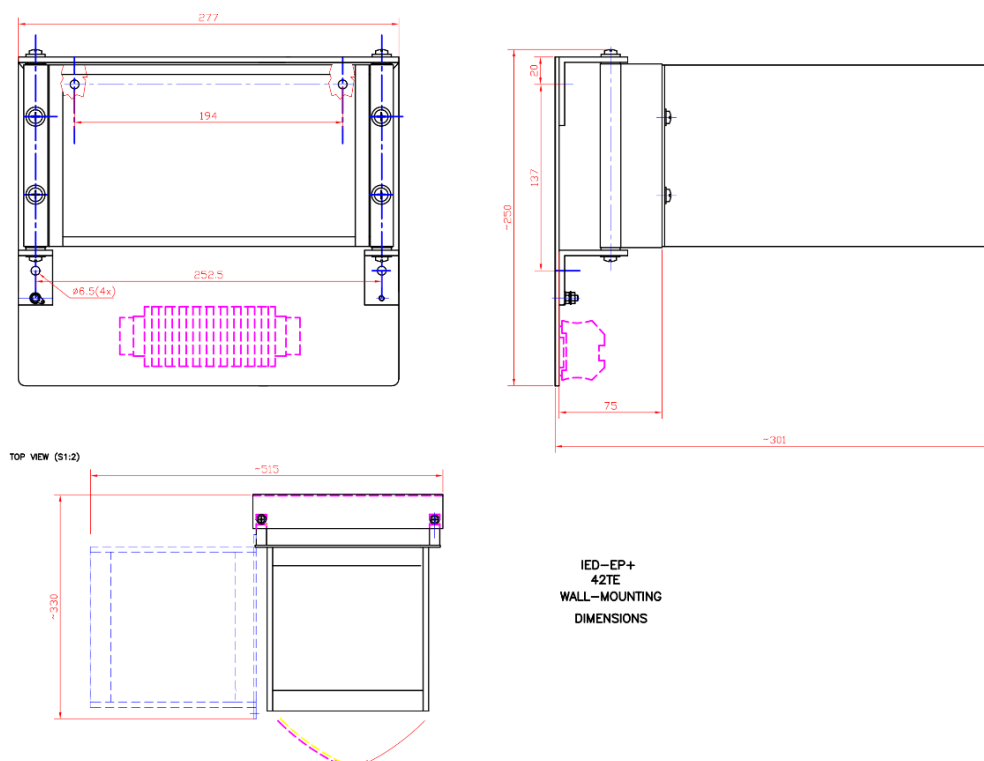


Figure 21-15 Dimensions for wall mounting of 42 HP devices (lower terminal only)

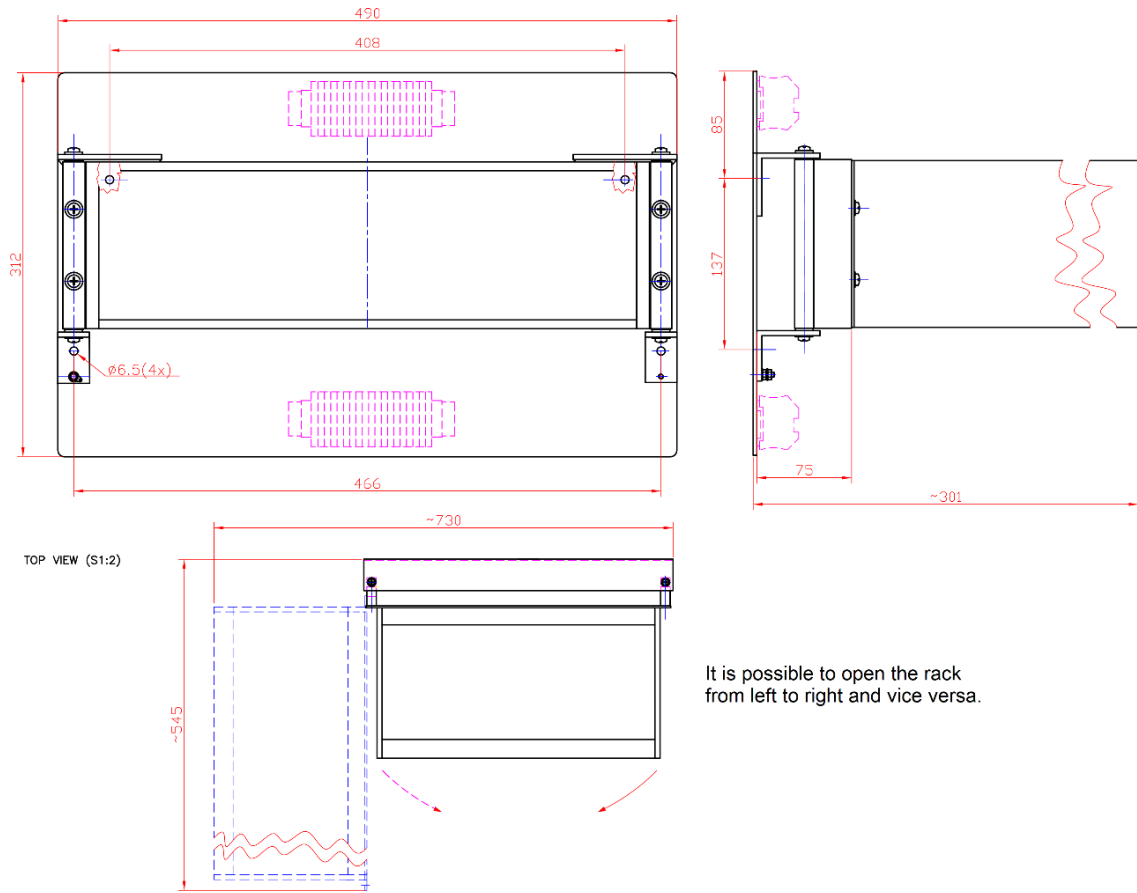


Figure 21-16 Dimensions for wall mounting of 84 HP devices (upper and lower terminals)

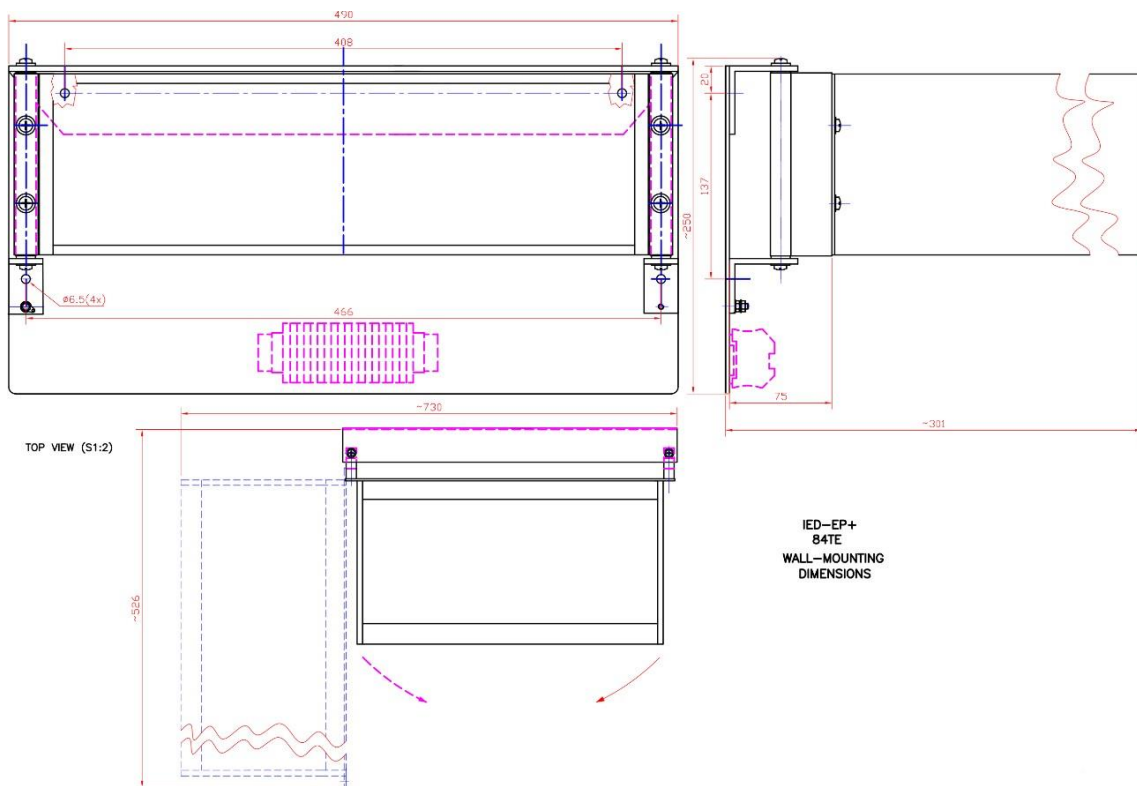


Figure 21-17 Dimensions for wall mounting of 84 HP devices (lower terminals only)

1.3.23.5. Din rail mounting of 24 HP panel instrument case

Note that the IP54 front panel option cannot be utilized with this type of mounting.

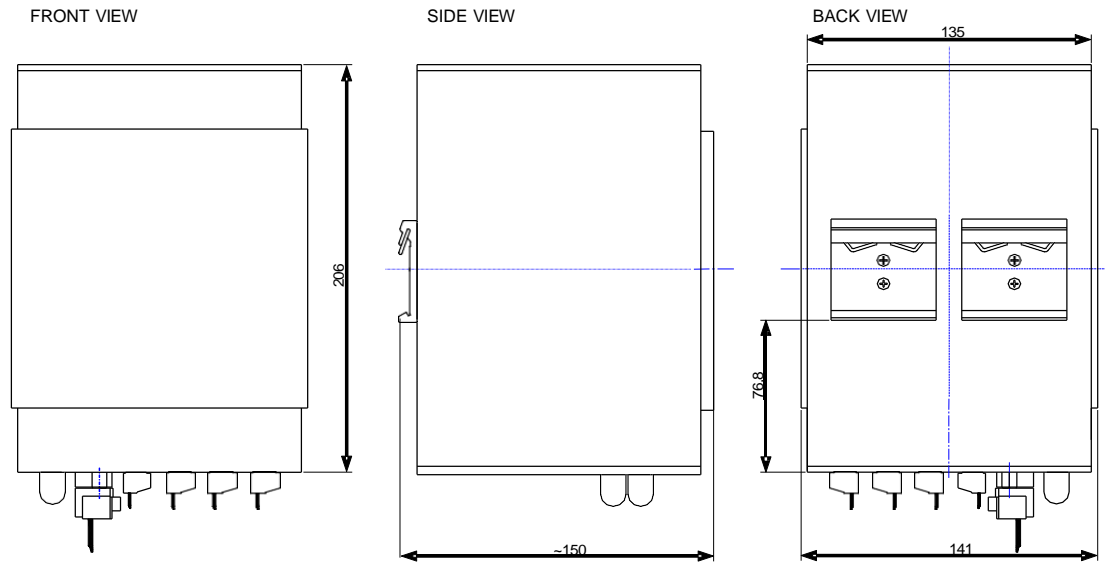


Figure 21-18 Dimensions for din rail mounting of 24 HP panel instrument case

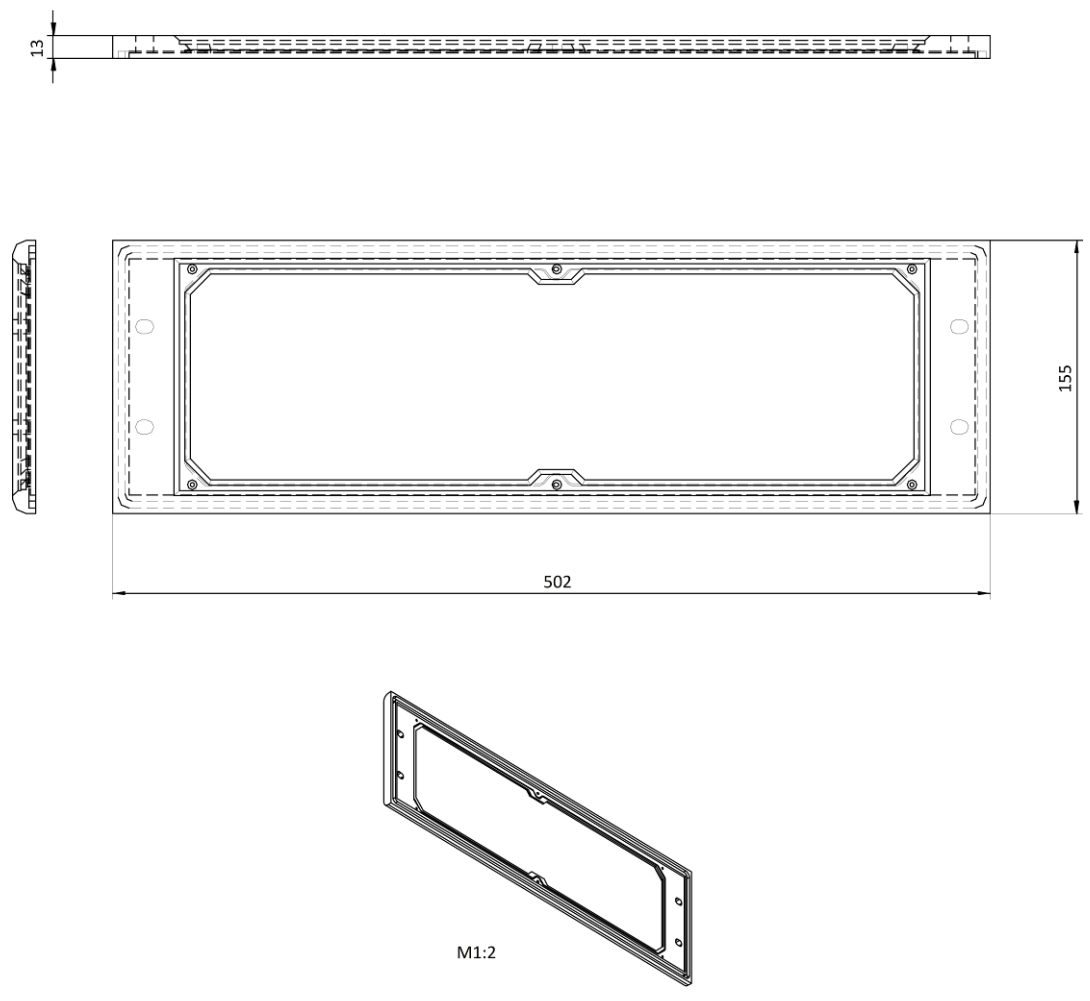


Figure 21-21: 84 HP IP frame dimensions

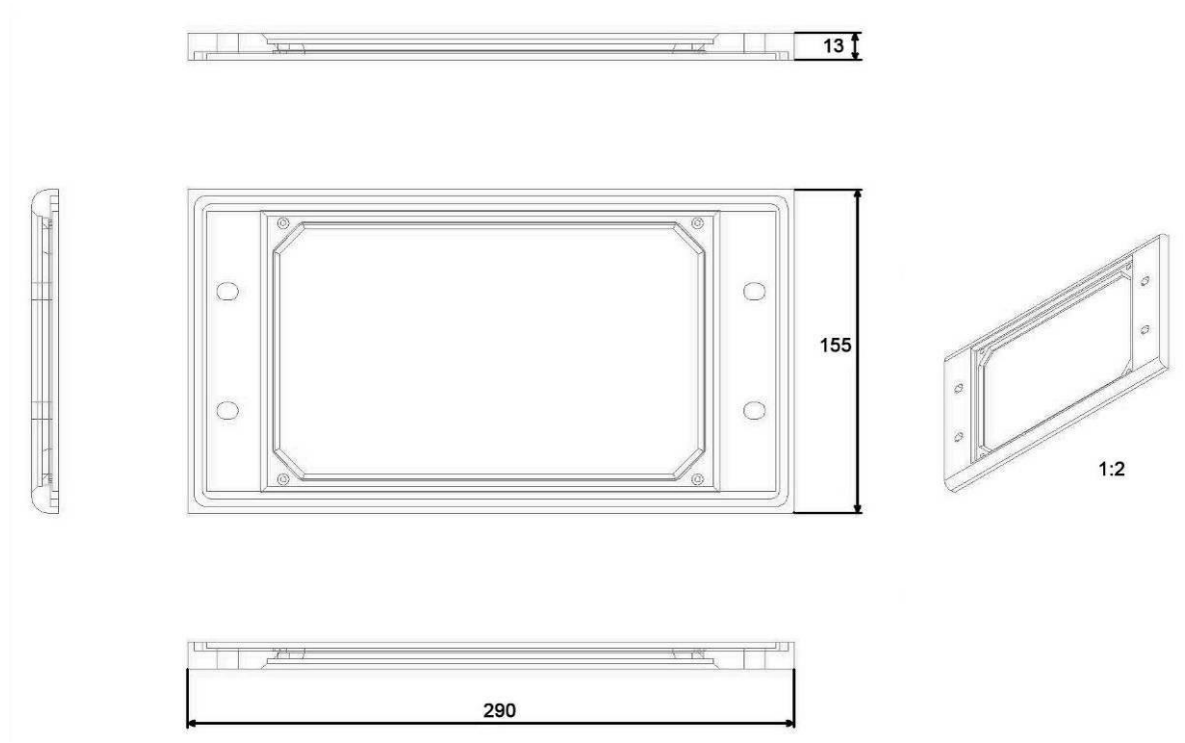


Figure 21-22 42 HP IP frame dimensions

1.3.23.7. Fold-down mounting

1.3.23.7.1. Fold-down mounting without terminals

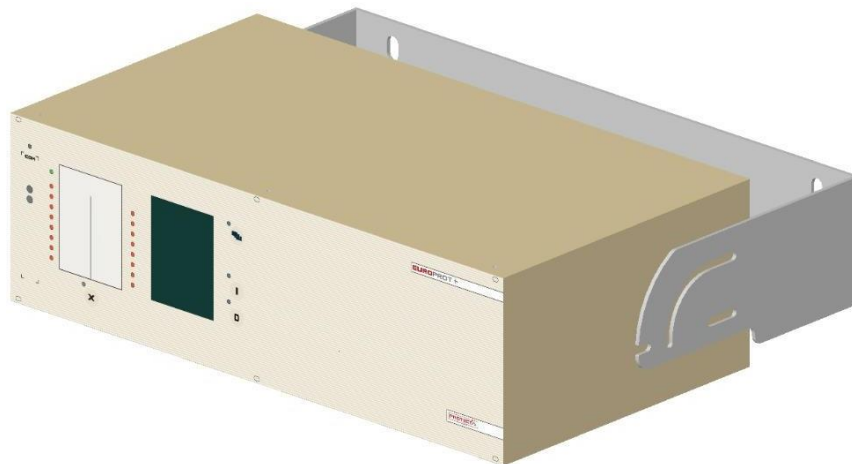
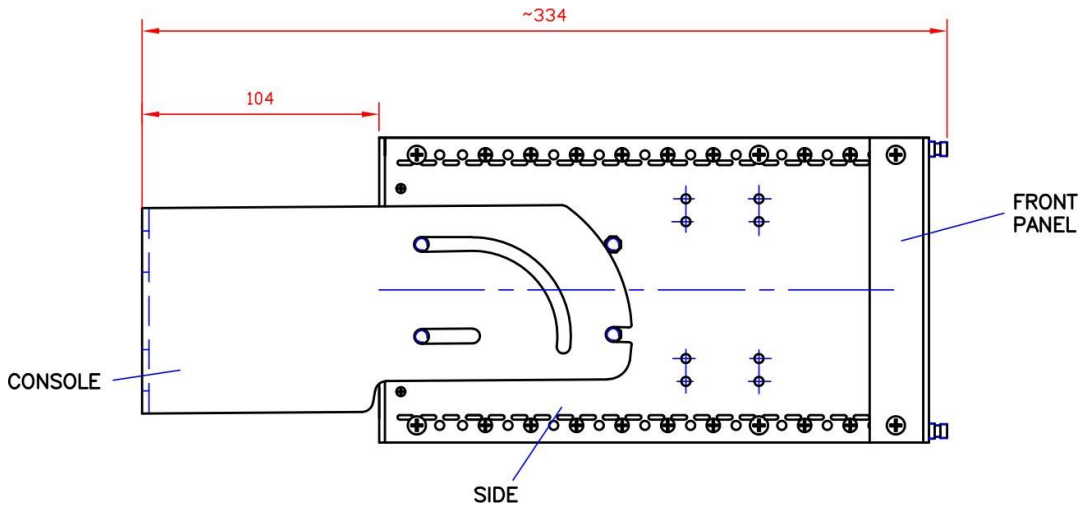
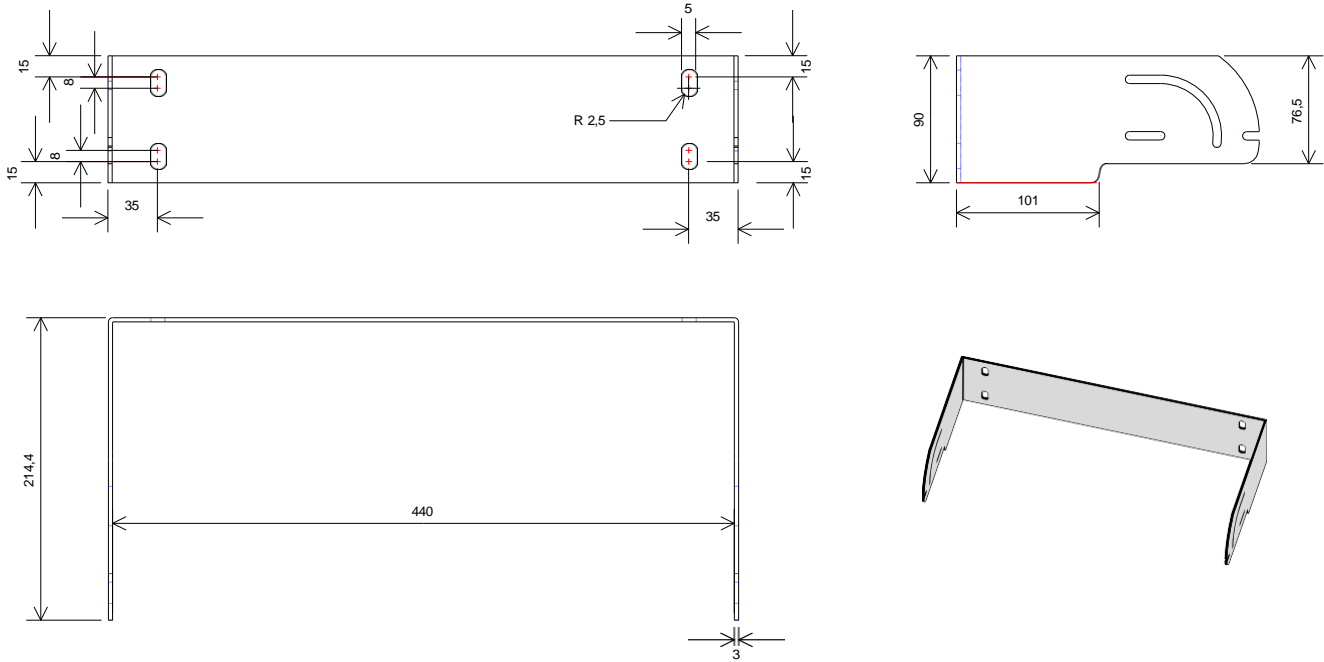


Figure 21-23 84 HP fold-down mounting

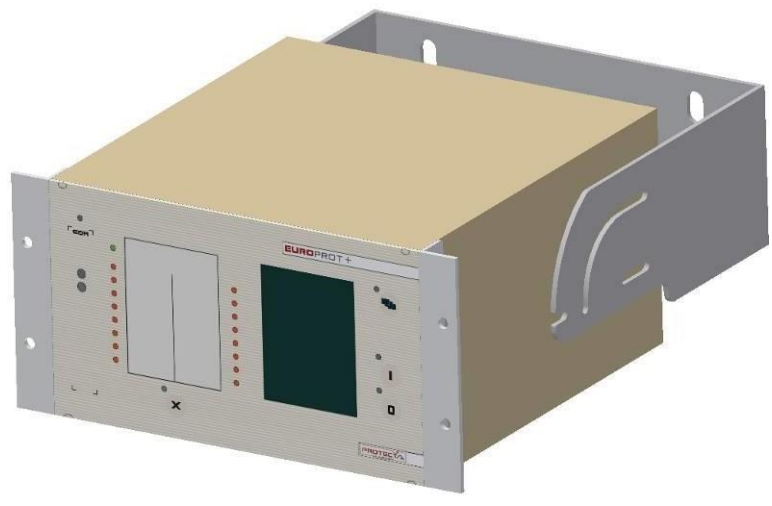
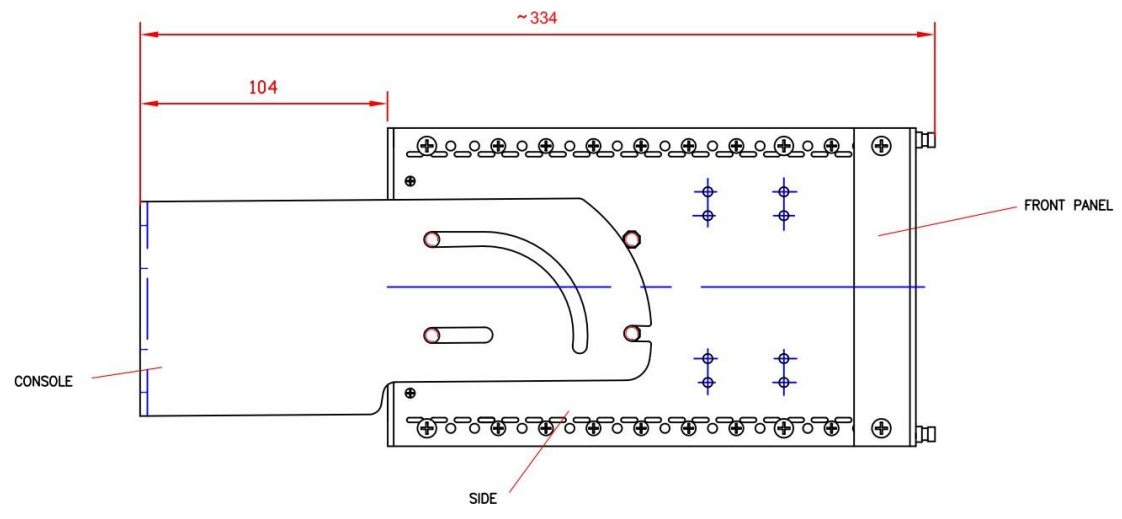
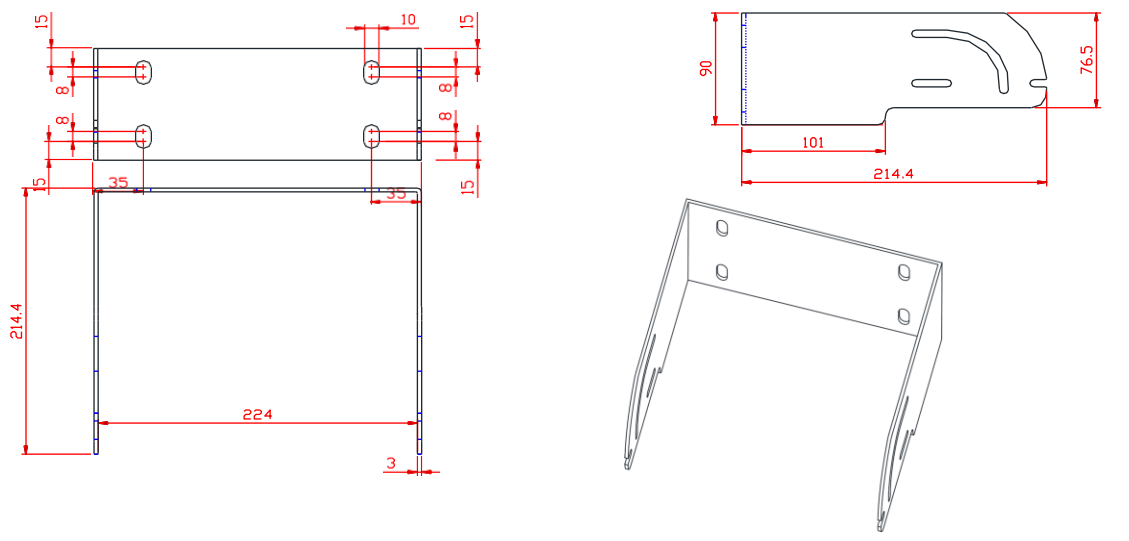


Figure 21-24 42 HP fold-down mounting

1.3.23.7.2. Fold-down mounting with terminals

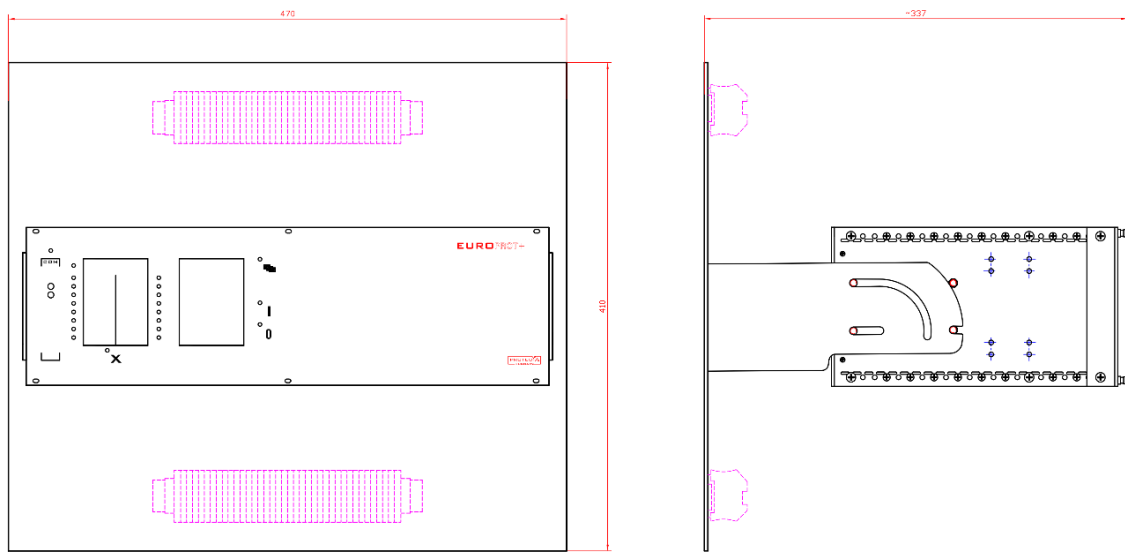


Figure 21-25 Fold-down mounting with terminals for 84HP devices

*fastening points are customized

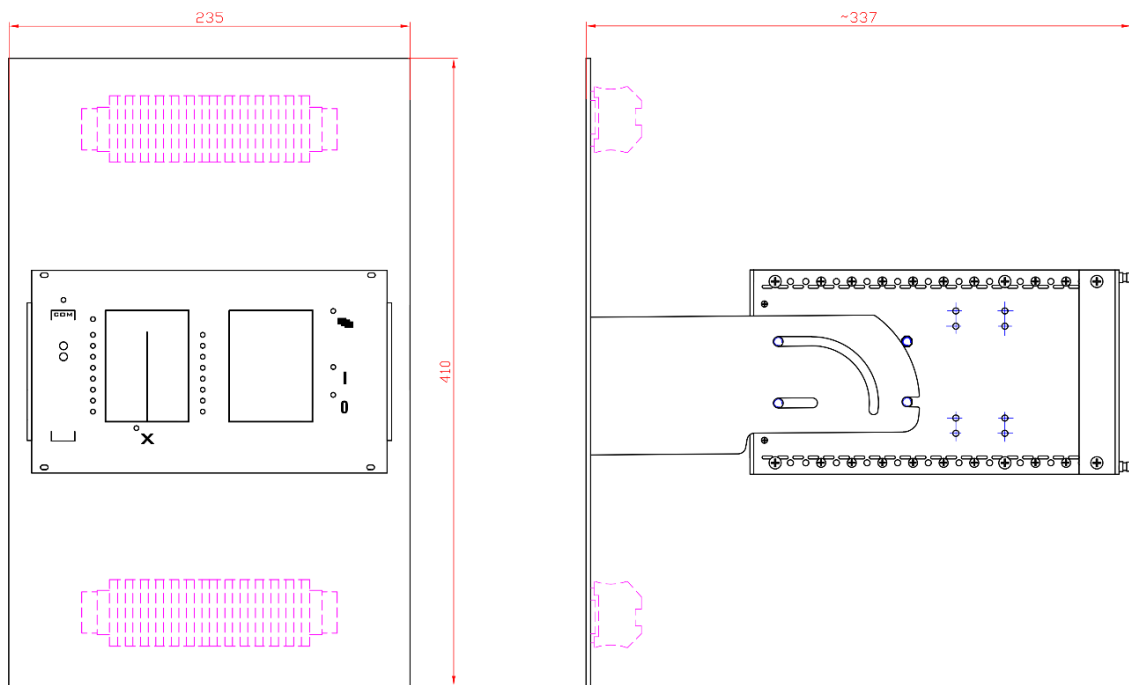


Figure 21-26 Fold-down mounting with terminals for 42HP devices



1.3.23.8. No mounting

“No mounting” means that the 84 HP and 42 HP devices do not have any mounting accessories on them.

This mounting method is only applicable if the device is for demonstration application.

For more information about this topic please contact our Application Team.
(application@protecta.hu)

IMPORTANT
 The dimensions of the cut-outs applicable for the remote HMI are depending on which previously mentioned mounting method is used (flush mounting, semi-flush mounting or rack mounting).

1.3.23.9. Remote HMI devices

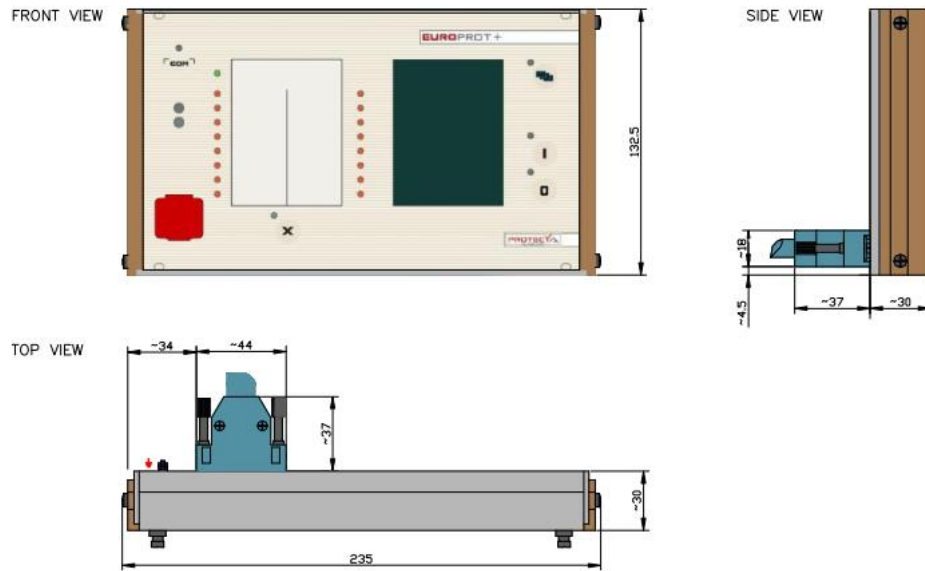


Figure 21-27 Dimensions for 42 HP wide remote HMI



Figure 21-28 Dimensions for 84 HP wide remote HMI

HMI+/2404	Smart Line S24 special selection modules.	2014-10-06
HMI+/2504	Smart Line S24 special selection modules.	2014-10-06
COM+/8882	Available only for special configurations.	2014-10-06
CT+/1111	Available only for special configurations.	2014-10-06
CT+/2500	Available only for special configurations.	2014-10-06
CT+/5153	Available only for special configurations.	2014-10-06
VT+/2212	Available only for special configurations.	2014-10-06
R8+/01	Available only for special configurations.	2014-10-06
R8+/A1	Available only for special configurations.	2014-10-06
R8+/C0	Available only for special configurations.	2014-10-06
R8+/FF	Available only for special configurations.	2014-10-06
R12+/4400	Available only for special configurations.	2014-10-06
R16+/0101	Available only for special configurations.	2014-10-06
R16+/0001	Available only for special configurations.	2014-10-06
R16+/A001	Available only for special configurations.	2014-10-06
PS+/4401	Available only for special configurations.	2014-10-06
CT+/2500	Obsolete module. Not recommended for new designs. Replacement: CT+1500.	2015-02-13
PSTP+/2102	Available only for special configurations.	2015-06-23
PSTP+/4202	Available only for special configurations.	2015-06-23
CT+/5111	Available only for special configurations.	2015-12-08
CT+/0101	Available only for special configurations. DEFL earth fault protection only.	2018-03-19
INJ+/0015	Available only for special configurations.	2018-03-19
CT+/5155	Available only for special configurations.	2018-03-26
VT+/2246	Available only for special configurations.	2018-03-26
AIC+/0201	Obsolete module. Not recommended for new designs.	2018-03-26
CT+/5111	Obsolete module. Not recommended for new designs.	2018-03-27
VS+/0031	Obsolete module. Not recommended for new designs.	2018-05-25

R1T+/0001	Available only for special configurations. DMD.	2018-10-05
CT+/5253	Available only for special configurations.	2018-10-05
42 HP housing	The length of the 42 HP box has been reduced from 242 mm to 223 mm. For more information about the previous size of the 42 HP box please see the Figure 22-1.	2018-12-18
AIC+/0200	Obsolete module. Not recommended for new designs.	2019-04-08
PS+/1030	Available only for special configurations.	2020-05-07
PS+/1060	Available only for special configurations.	2020-05-07
HMI+/5001	Obsolete module. Not recommended for new designs.	2020-06-04
HMI+/5002	Obsolete module. Not recommended for new designs.	2020-06-04
HMI+/3502 (for 42HP)	Obsolete module. Not recommended for new designs.	2020-06-04
CT+/1515	Available only for special configurations.	2020-06-04
CT+/5115	Available only for special configurations.	2020-06-04
CT+/5116	Available only for special configurations.	2020-06-04
CT+/5154	Available only for special configurations.	2020-06-04
PSF+/1001	Available only for special configurations.	2020-06-04
RTD+/0200	Available only for special configurations.	2020-06-04
RTD+/1200	Available only for special configurations.	2020-06-04
R4MC+/01	Available only for special configurations.	2020-06-04
PS+/4301	Obsolete module. Not recommended for new designs.	2020-06-04
84 HP housing	The depth of the 84 HP box has been reduced from 242 mm to 223 mm. For more information about the previous size of the 84 HP box, see the Figure 22-1.	2021-04-01
HMI+/3501	Obsolete module. Not recommended for new designs.	2021-04-20
HMI+/3502	Obsolete module. Not recommended for new designs.	2021-04-20
HMI+/5701	Obsolete module. Not recommended for new designs.	2021-04-20
HMI+/5702	Obsolete module. Not recommended for new designs.	2021-04-20
COM+/1202	Obsolete module. Not recommended for new designs.	2021-04-20
COM+/1324	Obsolete module. Not recommended for new designs.	2021-04-29
VT+/2212	Obsolete module. Not recommended for new designs.	2021-05-06
CT+/5154	Obsolete module. Not recommended for new designs.	2021-05-06
O16+/2401	Obsolete module. Not recommended for new designs.	2022-03-22
O16+/4801	Obsolete module. Not recommended for new designs.	2022-03-22



O16+/1101	Obsolete module. Not recommended for new designs.	2022-03-22
O16+/2201	Obsolete module. Not recommended for new designs.	2022-03-22

1.3.24.1. Previous 42HP and 84HP device housings

As of 2021. Q2, not only the 42HP, but the 84HP devices are shipped with shorter racks as well. Note that this is the only difference between the new and old housings. The new racks are shorter by 19 mm from the front, thus their depth is 223 mm instead of 242 mm.

The mounting methods described in Chapter 21 are valid for the previous racks as well, keeping in mind that the depth of the device is 19 mm bigger than that of the drawings. As an example, see the previous drawing of the flush mounting for 42HP and 84HP devices in Figure 22-1. As a comparison, the new, shorter rack is also drawn in light blue.

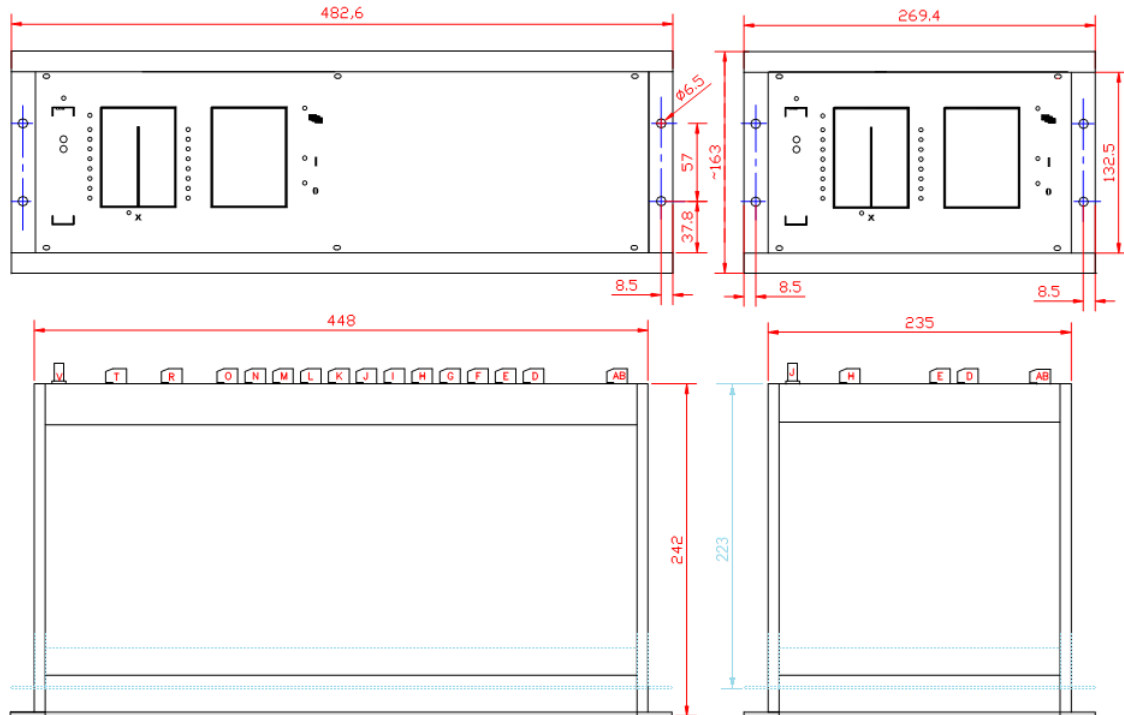


Figure 22-1 Dimensions for flush mounting of the previous 84HP and 42HP single rack, including the new (shorter) rack dimensions as well.

1.3.25. Remote I/O (RIO) server description

1.3.25.1. Introduction

Remote I/O (RIO) server is an IED, which provides remote binary inputs and outputs far from an EuroProt+ protection device.



Figure 1-1 Remote I/O device



Figure 1-2 Front view and rear view with fastening for mounting rail

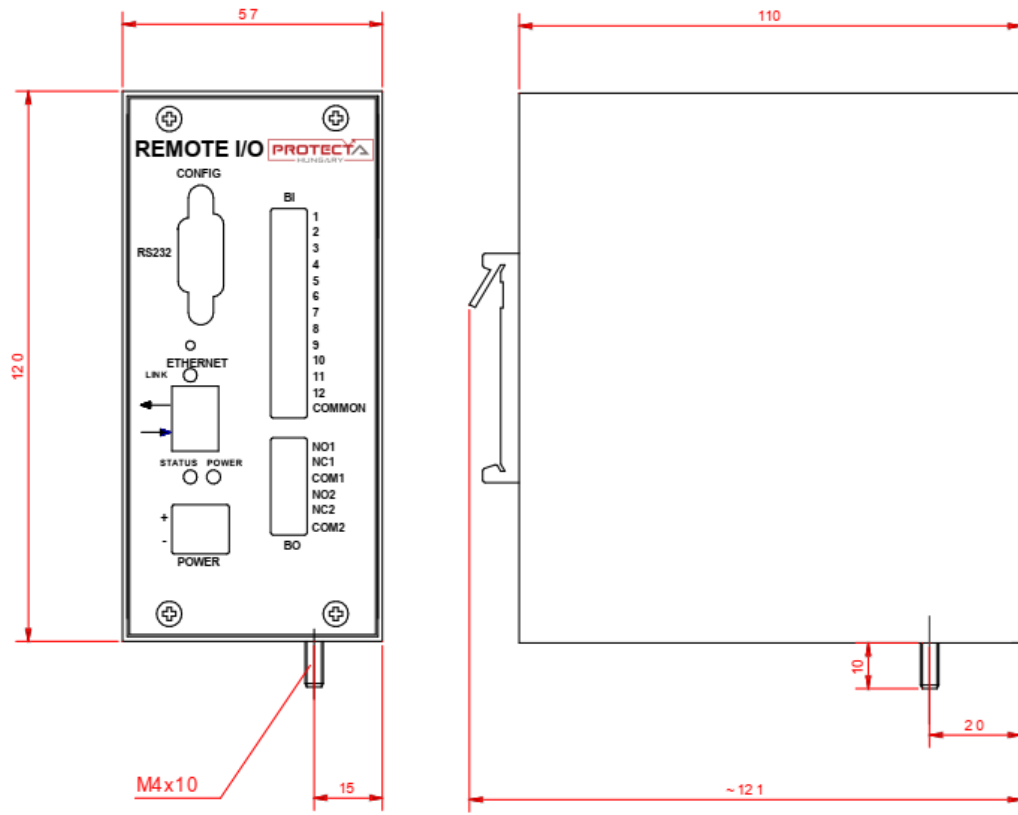


Figure 1-3 Remote I/O dimensions

1.3.25.2. Application

1.3.25.2.1. Connectors, LEDs

The connectors of the device are illustrated in the following figure.

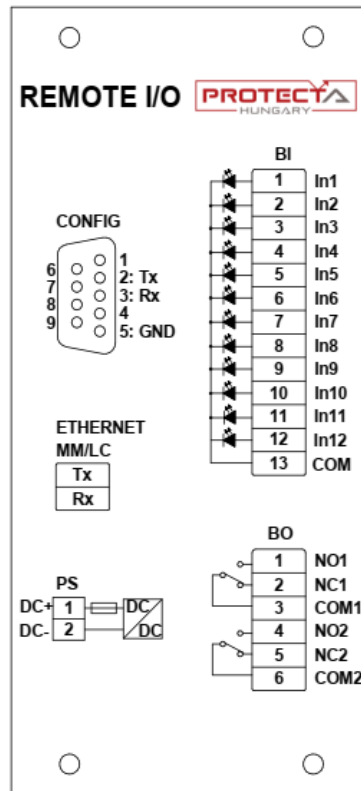


Figure 2-1 Connectors of the device

The RIO server has three LED indicators:

- **LINK**: located at the Ethernet connector; it shows active communication (green color)
- **POWER**: located above the power connector; it lights up if the device is operating (green color)
- **STATUS**: located also above the power connector. The behavior and color of this LED shows different situations:
 - Blinking **red**: there are no clients connected
 - Blinking alternatively **red-green**: the server has one client connected
 - Blinking **green**: two or more clients are connected

1.3.25.2.2. Wiring, usage

The device communicates with the EP+ device using the MODBUS/TCP protocol, via either of the COM+/1202, COM+/1324, COM+/1335, COM+/6603 or COM+/6663 modules.

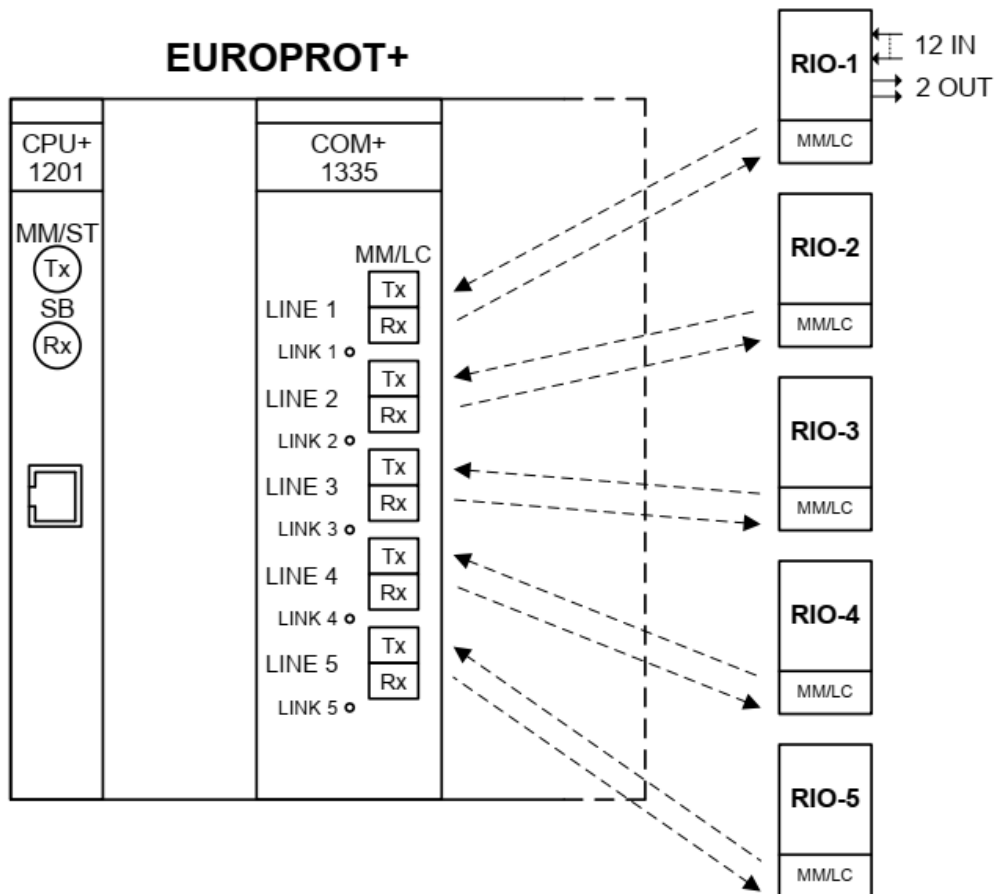


Figure 2-2 Wiring of the Remote I/O-s

The RIO inputs and outputs appear among the other binary inputs and outputs of the EuroProt+ device, and they can be utilized the same way.

1.3.25.3. Sub-modules

The RIO server consists of two mixed function modules:

- SCPU/PS: combination of a CPU and power supply module
- SO12/R2: binary I/O module with 12 inputs and 2 relay outputs

1.3.25.3.1. SCPU/PS sub-module

The SCPU/PS module contains all the control, communication and the power supply functions of the device.

1.3.25.3.1.1. CPU

Table 3-1 Technical data of the RIO CPU

CPU TYPE	ETHERNET INTERFACE	SERVICE PORT
SCPU+0011	MM/LC 1300 nm, 50/62,5/125 µm connector, 100Base-FX	RS232*

*The service port labeled "CONFIG" is only for factory usage

1.3.25.3.1.2. Power supply, external MCB

Table 3-2 Technical data of the RIO power supply

PS TYPE	INPUT VOLTAGE	NOMINAL POWER	INPUT VOLTAGE INTERRUPTION TIME	INRUSH CURRENT (< 0.1 s)	CONNECTOR TYPE
PS+1101	65-180 V DC	9 W	min. 140 ms @ 110 V DC input voltage	< 10 A	Weidmüller BLA 2/180
PS+2301	176 – 264 V DC 160 – 250 V AC	9 W	min. 50 ms @ 230 V AC input voltage	< 10 A	Weidmüller BLA 2/180

The power supply must be protected by an **external midjet circuit breaker**. Note that it is not part of the RIO device:

- Characteristics: **6A C**

1.3.25.3.2. SO12/R2 sub-module

The SO12/R2 module contains 12 binary inputs in one grounding group, and 2 relay outputs with dry contacts.

1.3.25.3.2.1. Binary inputs

Main features:

- Digitally filtered per channel
- Current drain approx.: 2 mA per channel

Table 3-3 Technical data of the binary inputs

BI TYPE	CHANNEL NUMBER	TIME SYNC.	RATED VOLTAGE	THERMAL WITHSTAND VOLTAGE	CLAMP VOLTAGE	CONNECTOR TYPE
SO12+4801	12	-	48 V	72 V	falling 0.71 U _N rising 0.76 U _N	Weidmüller BL 3.5/13/180
SO12+1101	12	-	110 V	250 V	falling 0.7 U _N rising 0.73 U _N	Weidmüller BL 3.5/13/180

Thermal withstand voltage: continuous with 60 % of the input channels energized.

1.3.25.3.2.2. Binary outputs

Main features:

- Breaking capacity, (L/R = 40 ms) at 220 V DC: 0.2 A
- Breaking capacity, (L/R = 40 ms) at 110 V DC: 0.3 A

Table 3-4 Technical data of the relay outputs

BO TYPE	RATED VOLTAGE	CONTINUOUS CARRY	CONTACT VERSIONS	GROUP ISOLATION	CONNECTOR TYPE
R2+0001	250 V AC/DC	6 A	CO	2 independent	Weidmüller BL 3.5/6/180



1.3.25.4. General data

- Storage temperature: - 40 °C ... + 70 °C
- Operation temperature: - 20 °C ... + 55 °C
- Humidity: 10 % ... 93 %
- Altitude: up to 2000 m
- Atmospheric pressure: 86 ... 106 kPa

1.3.25.4.1. Standard conformance

- Electrostatic discharge immunity (ESD), IEC-EN 60255-26:2013, Level 4
 - Test voltages: 15 kV air discharge, 8 kV contact discharge
- Radiated, radio-frequency, electromagnetic field immunity, IEC-EN 60255-26:2013 Level 3
 - Test field strength: 10 V/m
- Electrical fast transient/burst immunity (EFT/B), IEC-EN 60255-26:2013, Level 4
 - Test voltage: 4 kV
- Surge immunity test, IEC-EN 60255-26:2013
 - Test voltages: 2 kV line-to-earth, 1 kV line-to-line
- Immunity to conducted disturbances, induced by radio-frequency fields, IEC-EN 60255-26:2013, Level 3
 - Test voltage: 10 V
- Damped oscillatory wave immunity test, IEC-EN 60255-26:2013
 - Test frequency: 1 MHz
 - Test voltage: 2.5 kV in common mode, 1 kV in differential mode
- Voltage dips, short interruptions and voltage variations immunity, IEC-EN 60255-26:2013
 - Voltage dips: 40 % (200 ms), 70 % (500 ms), 80 % (5000 ms)
- Ripple on d.c. input power port immunity, IEC-EN 60255-26:2013
 - Level 4, 15 % of rated d.c. value
- Power frequency magnetic field immunity test, IEC-EN 60255-26:2013, Level 5
 - Test field strength: 100 A/m continuous, 1000 A/m for 3 s
- Power frequency immunity test on the binary inputs, IEC-EN 60255-26:2013, Class A
 - Test voltages: 300 V in common mode, 150 V in differential mode
- Insulation tests, IEC-EN 60255-27:2013
 - Impulse voltage test
 - Test levels: 5 kV (1 kV for transducer and temperature measuring inputs)
 - Dielectric test
 - Test levels: 2 kV AC 50 Hz (0.705 kV DC for transducer inputs)
 - Insulation resistance
 - Insulation resistance > 15 GΩ
- Radiated emission, IEC-EN 60255-26:2013
 Limits:
 - 30 MHz to 230 MHz: 50 dB(μV/m) quasi peak, 3 m
 - 230 MHz to 1 000 MHz: 57 dB(μV/m) quasi peak, 3 m
 - 1 GHz to 3 GHz: 76 dB(μV/m) peak, 3 m
 - 3 GHz to 6 GHz: 80 dB(μV/m) peak, 3 m
- Conducted emission, IEC-EN 60255-26:2013
 Limits:
 - 0,15 MHz to 0,50 MHz: 79 dB(μV) quasi peak, 66 dB(μV) average
 - 0,5 MHz - 30 MHz: 73 dB(μV) quasi peak, 60 dB(μV) average
- Vibration, shock, bump and seismic tests on measuring relays and protection equipment
 - Vibration tests (sinusoidal), Class I, IEC 60255-21-1:1988
 - Shock and bump tests, Class I, IEC 60255-21-2:1988
 - Seismic tests, Class I, IEC 60255-21-3:1993

1.3.25.5. Mechanical data

1.3.25.5.1. General mechanical data

- Construction
 - Painted steel surface
- IP protection:
 - IP2x
- Size:
 - See Figure 1-3 for the device dimensions
- Weight:
 - 0.7 kg

1.3.25.5.2. Connectors

Table 5-1 Connectors on the RIO

CONNECTOR NAME	CONNECTOR TYPE	STRIP LENGTH [MM]	CONDUCTOR AREA [MM ²]	CONDUCTOR DIAMETER [MM]	TIGHTENING TORQUE [Nm]	MINIMUM BEND RADIUS*
BLA	Weidmüller BLA 2/180	7	0.2 – 1.5 solid: 0.2 – 2.5	0.5 – 1.4 solid: 0.5 – 1.8	0.4 – 0.5	3 × OD**
BL 3.5	Weidmüller BL 3.5/6/180 BL 3.5/13/180	6	0.2 – 1.5	0.5 – 1.4	0.2 – 0.25	3 × OD**
PE FASTON TERMINAL	TE Connectivity 6.3x0.8	7	min. 4	min. 2.3	-	3 × OD**

* Bend radius is measured along the inside curve of the wire or wire bundles.

** OD is the outer diameter of the wire or cable, including insulation.

The tightening torque of the screw for protective earth connection must be approx. 5 Nm.

During the installation, make sure that the shortest possible length for PE (Protective Earth) cable.

The minimum distance between the device and its wire channel must be at least 3 cm.

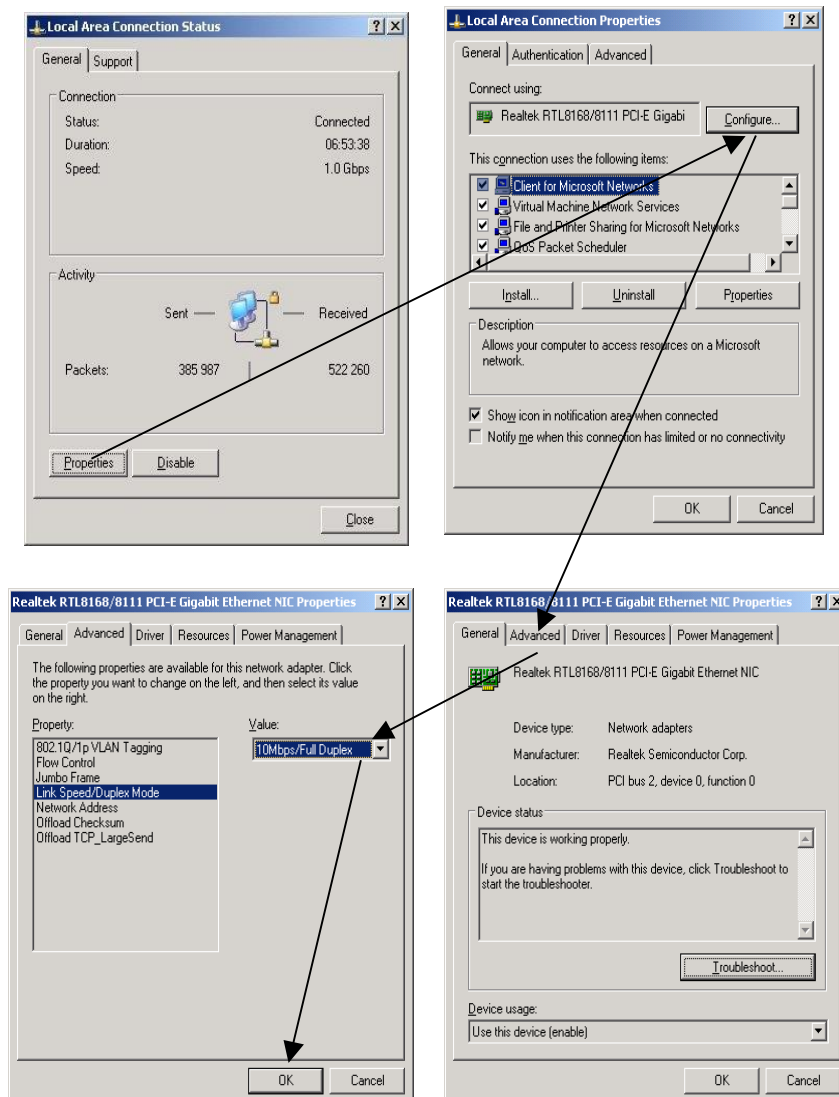
1.3.26. Technical notes on EOB interoperability

1.3.26.1. Description

We experienced some interoperability issues regarding front panel communication with EP+ devices. The link establishment procedure of the ethernet communication become unstable with certain type of NICs (Network Interface Card) of network devices. Network devices with 10/100Base-T speed support has no limitation but devices with 1000Base-T (called gigabit) may cause this link establishment failure. In this case the operating system periodically signals that interface is connected, then disconnected, then connected etc.

1.3.26.2. EOB Troubleshooting

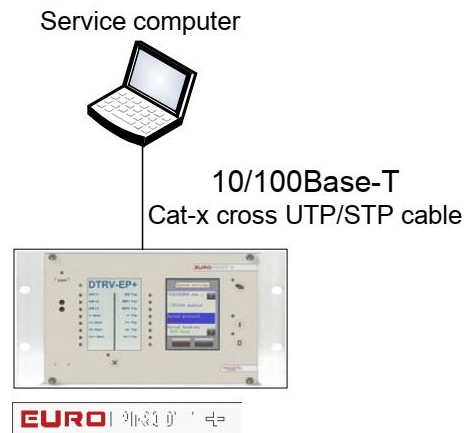
- force NIC speed and mode to 10Base-T Full-duplex (setting method may depend on Your PC hardware configuration) on Your PC. Local Area Network settings can be found at:
 - WindowsXP: Control Panel/Network Connections/Local Area Connection
 - Windows 7: Control Panel\All Control Panel Items\Network and Sharing Center



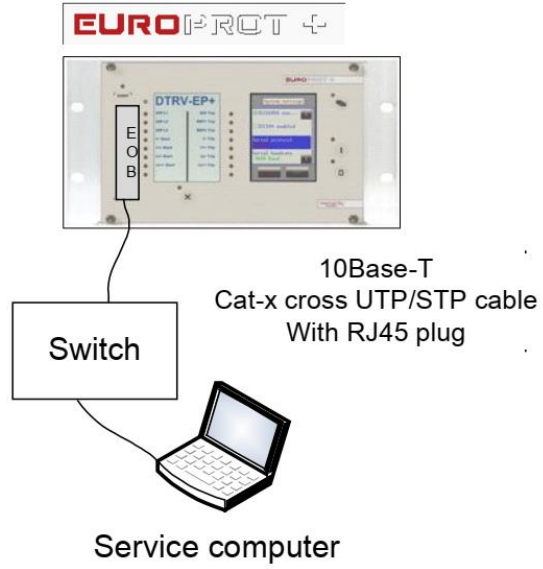
1.3.26.3. Workaround

- using station bus interface connector at the front panel of the CPU card
 - if the device equipped with 100Base-Fx station bus interface then You can connect Your computer via a third-party media converter unit
 - if the device equipped with 10/100Base-Tx station bus interface (RJ45) then connect Your computer directly to the EP+ via a crossed CATx cable

Service computer



- using EOB at the HMI:
 - in case of unstable link with Your PC apply a third-party external 10/100Base-T switch with one port connected via EOB to the EP+ and other port connected to Your PC via a CATx cable.



1.3.26.4. Further details

For getting started guide and IP configuration download: http://www.protecta.hu/epp-prelim/QuickStart/Quick_Start_Guide_V1.0.pdf

1.3.27. EP+ Installation manual

USED SYMBOLS

Symbols on devices:



Test voltage: 2 kV



Protective conductor terminal



Do not dispose of this device

Symbols in this document:



Caution, risk of electric shock



Caution, hot surface



Caution, refer to the documentation



Do not dispose of this device



1.3.27.1. Introduction

This manual is intended to provide instruction for proper device installation, which includes mechanical mounting and electrical wiring. Furthermore, the information provided here will strongly support commissioning, maintenance, and deinstallation work as well. This document's targeted user groups are skilled electrical professionals executing installation works and commissioning with EuroProt+ devices.

Given that the EuroProt+ product family has a modular design, the instructions provided here can cover all configurations. Therefore, this manual shall be used in conjunction with the "EuroProt+ Hardware description" document, which includes essential information about all hardware components of the product.

1.3.27.2. Equipment handling

1.3.27.2.1. Unpacking

Inspect the package for transport damages. Carefully remove the packing material without applying excessive force.

1.3.27.2.2. Visual inspection

Identify the product by reading the order code. This can be found on the device nameplate located mostly on the right side of the device in the top right corner and shall be identical to your order.

Picture 2-2 Device nameplate



The protection device may have loose items packed in a different box based on the configuration. Check, that these items are also included in the shipment.

Visually inspect all unpacked items for damages, water ingress, or any sign of external impact. If you discover any transport damage, please notify Protecta Ltd. first and do not start any further work on the equipment.

1.3.27.2.3. Storage

If temporary storage is required before installation, please store the device in its original packing in a dry and clean place. The required environmental conditions can be found in the “General data” section of the “EuroProt+ Hardware description” document.

1.3.27.3. Mounting

1.3.27.3.1. Tools for mounting

The tools and screws necessary for mounting depend on the method of the mounting, see the “Mounting methods” section of the “EuroProt+ Hardware description” document.

Assuming the panel or cubicle is ready for installation of the device, screwdrivers matching the screws used, pliers, wrenches, etc. are necessary. For safety aspects, mechanical protective gloves shall be used to avoid injuries.

1.3.27.3.2. Environmental conditions

Make sure, that the mounting location fulfils environment requirements stated in the “General data” section of the “EuroProt+ Hardware description” document. The IP protection class of the device shall fit the surrounding environment at the place of installation. It is also important to have space around the device to support conventional cooling (See 3.3).

1.3.27.3.3. Mounting location

Before mounting the device make sure, that suitable space is available in the location of installation. Cutouts shall fit the device rack dimensions and it is recommended to leave 80mm free space behind the IED for the wiring.

The minimum distance between an EP+ device and its wire channel must be at least 3 cm. The minimum distance between two EP+ devices must be at least 10 cm.

1.3.27.3.4. Mounting the device

The EuroProt+ product line utilizes different rack sizes and depending on that different mounting methods. An overview of the rack sizes with dimensions and mounting methods can be found in the “Mounting methods” section of the “EuroProt+ Hardware description” document.

During the installation make sure that the shortest possible length for PE (Protective Earth) cable routing is applied.

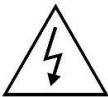
1.3.27.3.5. Safety aspects

1.3.27.3.5.1. Earth connections

1.3.27.3.5.1.1. Protective earth

The device shall be connected to the station earth system with a minimum of 2,5 mm² cross-section solid or stranded wire. A 6,3 mm (1/4 inch) female flat connector (according to IEC 61210) shall be used crimped to the earthing wire. During the installation make sure that the shortest possible length for PE (Protective Earth) cable routing is applied.

The earth connection of the device is situated at all kinds of Power supply modules. In the case of more Power supply modules, all of them shall be earthed.



The protective earth connections should not be removed when the equipment is energized.

Picture 3-5-1-1 Earth connection point of the device at the Power supply module



1.3.27.3.5.1.2. Stranded wires

Soft soldering of stranded wires is not allowed due to the cold flow of the solder material.

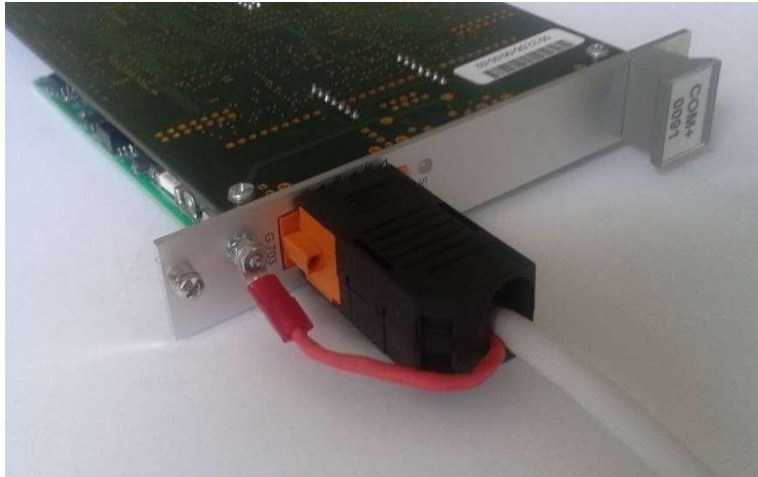


Loose strands of stranded wires can cause fire risk or electric shock. Insulated crimp terminals shall be used.

1.3.27.3.5.1.3. Cable screen connection

The screen of the telecommunication cables connected directly to the device shall be terminated to the earthing connection point of the corresponding module.

Picture 3-5-1-3 An example of the cable screen connection



1.3.27.3.5.1.4. CT and VT circuits

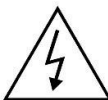


The CT and VT circuits to be connected to the device shall be connected to the station earth system.

1.3.27.3.5.2. Connections of the device

Before connecting the wires, make sure that all voltage levels correspond to the device ratings. It is particularly important by the power supply, trip and binary input, CT and VT module

Use only the connectors provided to the device or identical ones.



The CT connectors shall be fixed with screws provided. During the operation of the device, the CT connectors can be disconnected only after the CT circuits having short-circuited.

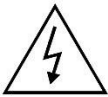
1.3.27.3.5.3. Optical ports



Take adequate measures to protect your eyes and do not view directly into optical ports.

The fiber optics cables are vulnerable. Sharp bending can damage them. The minimum bending radius can be between 15 cm and 25 cm approximately, depending on the type and the material of the cable. For details see the datasheets of the fiber optics cables to be installed. The fiber shall not be twisted or bent. When connecting or disconnecting the cable always hold the connector, not the cable.

1.3.27.3.5.4. Removing and changing modules



Before removing and changing modules first the power supply voltage of the device shall be disconnected. Then all the energizing quantities connected to each module of the device shall be disconnected. Before removing the connectors of the CT modules, the CT circuits shall be short-circuited and disconnected.

The protective earth connection can be disconnected last if it is necessary (e.g. when removing a Power supply module).



The devices contain components that are sensitive to electrostatic discharges. ESD wrist strap shall be worn during any operations with modules.



Some of the modules can operate at high internal temperatures. Remove these modules carefully to avoid any burn injury. Take care of the possible high temperature at each module.



The modules have got sharp edges. Remove them carefully to avoid injury.

After changing a module, it shall be fixed with the screws provided with a torque of 0,5 Nm. Use Philips 2 screwdriver.

1.3.27.4. Wiring

1.3.27.4.1. Tools for connecting

Screwdrivers for the connectors: blade 0,6/3,5 mm, 0,4/2,5 mm.

Cutter, stripper, crimper tools to prepare the connecting end of the wires.

1.3.27.4.2. Connectors

The “Connectors” section of the “EuroProt+ Hardware description” provides information about the required conductor dimensions and connecting methods. The “Connectors” table shall be used together with the other sections describing the different modules.

1.3.27.5. Deinstallation and Repair

1.3.27.5.1. Deinstallation



Before removing the device make sure, that all incoming power supply and control voltages are switched off. The earth connection of the device shall be disconnected last.

1.3.27.5.2. Repair



Thanks to its modular design, many hardware problems can be fixed by replacing single modules. By executing this procedure note, that the printed board’s surface may get hot during normal operation.



In addition, attention shall be paid to the sharp edges of the modules to avoid minor injuries on the hand.

1.3.27.5.3. Disposal



Removed IEDs shall be handed over to a local electronic waste handler for proper disposal and recycling.

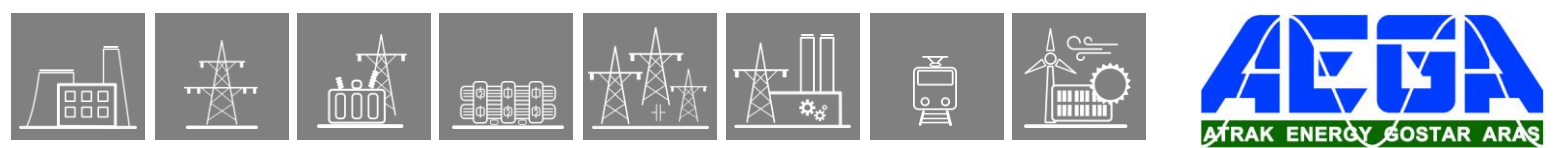
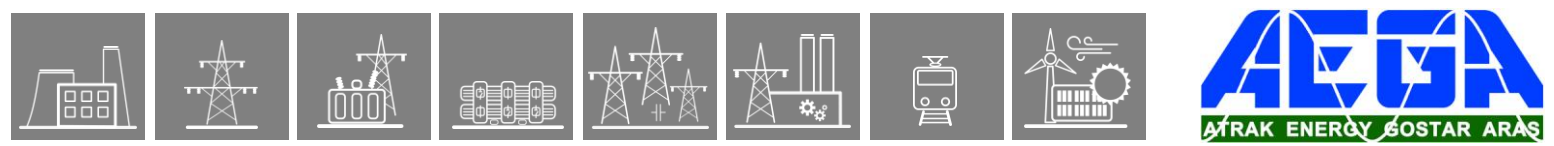


Table 5-3 Disposal of the components and parts

IED	PARTS	MATERIAL	METHOD OF DISPOSAL
Enclosure	Metal sheets, fastening elements	Aluminum, steel	Separation and recycling
Modules	Metallic parts, fastening elements	Aluminum, steel	Separation and recycling
	Mounted PC boards	Plastic, various electronic elements	Separation and recycling
	Connectors	Plastic, various metals	Separation and recycling
	Transformers, coils	Iron, copper, plastic, paper	Separation and recycling
	Relays	Iron, copper, plastic, other metals	Separation and recycling
Package	Box	Cardboard	Recycling
Attachments	Manuals, certificates	Paper	Recycling



2. Function and I/O listing

The functions listed in [Table 2-1](#) on the next page are the ones that are present most commonly in the configurations, thus they can be considered as factory default arrangements. The hardware information corresponds to the maximum available number of digital I/O, and the default number of analog inputs.

For short descriptions for each function please refer to [Chapter 3](#). Detailed information is available in their respective stand-alone descriptions on the Protecta website after logging in.

*The 'INST.' column contains the numbers of the pre-configured function blocks in the factory configuration. These numbers may be different in order to meet the user's requirements.

Distributed feeder protection, control & automation																
FUNCTIONALITY	HARDWARE	FAMILY			EuroProt+											
		TYPE			DTIVA											
		CONFIGURATION	E1	E2	E3	E4	E5	E6	E7	E8	E9	E10				
		CT inputs	4	4	4	4	4	4	4	4	4	4	4	4		
		VT inputs		4	4	4	4	4	4	4	4	4	4	4		
		Digital inputs (max)	136	128	128	128	128	128	128	128	136	136	128	128		
		Signaling relay outputs (max)	60	60	60	60	60	60	60	60	60	60	60	60		
		Fast Trip outputs (max)	12	12	12	12	12	12	12	12	12	12	12	12		
FUNCTIONALITY	Protection	Function name	IEC	ANSI	*INST.	E1	E2	E3	E4	E5	E6	E7	E8	E9	E10	
		Distance protection MV	Z <, FL	21	1					✓		✓				
		Teleprotection		85	1							✓				
		Switch onto fault preparation function			1			✓	✓		✓					
		Overexcitation	V/Hz	24	1							✓				
		Synchrocheck	SYNC	25	1			✓	✓		✓		✓			
		Definite time undervoltage protection	U <, U <<	27	2		✓	✓	✓	✓	✓	✓	✓	✓	Op.	
		Positive sequence undervoltage protection	U1 <	27D	1							✓				
		Directional overpower	P >	32	1		✓	✓	✓		✓			✓		
		Directional underpower	P <	37	1		✓	✓	✓		✓			✓		
		Loss of load (undercurrent) protection	I <	37	1							✓			✓	
		Negative sequence overcurrent protection	I2 >	46	1	✓	✓	✓	✓	✓	✓	✓			✓	
		Negative sequence overvoltage protection	U2 >	47	1		✓	✓	✓		✓	✓			✓	
		Motor startup supervision	I ² start	48	1							✓				
		Thermal protection line	T >	49	1	✓	✓	✓	✓	✓	✓				✓	
		Thermal protection motor	T >	49	1							✓				
		Three-phase instantaneous overcurrent protection	I >>>	50	1	✓	✓	✓	✓	✓	✓	✓			✓	
		Residual instantaneous overcurrent protection	Io >>>	50N	1	✓	✓	✓	✓	✓	✓	✓			✓	
		Breaker failure protection	CBFP	50BF	1	✓	✓	✓	✓	✓	✓	✓		✓	✓	
		Three-phase time overcurrent protection	I >, I >>	51	2	✓	✓	✓	✓	✓	Op.	✓		✓	✓	
		Residual time overcurrent protection	Io >, Io >>	51N	2	✓	✓	✓	✓	✓	Op.	✓		✓	✓	
		Definite time overvoltage protection	U >, U >>	59	2		✓	✓	✓	✓	✓	✓	✓	✓	Op.	
		Residual overvoltage protection	Uo >, Uo >>	59N	2		✓	✓	✓	✓	✓	✓	✓	✓	Op.	
		Starts per hour	I ² t	66	1							✓				
		Three-phase directional overcurrent protection	I Dir >, I Dir >>	67	2			✓	✓	✓	✓					
		Residual directional overcurrent protection	Io Dir >, Io Dir >>	67N	2		✓	✓	✓	✓	✓					
		Inrush detection and blocking	I2h >	68	1	✓	✓	✓	✓	✓	✓	✓				
		Out-of-step	ΔZ/Δt	78	1				✓		✓					
		Auto-reclose MV	0 - > 1	79	1	✓	✓	✓	✓	✓	✓					
		Overfrequency protection	f >, f >>	81O	2			✓	✓		✓		✓	✓		
		Underfrequency protection	f <, f <<	81U	2			✓	✓		✓		✓	✓		
		Rate of change of frequency protection	df/dt	81R	1			✓	✓		✓		✓	✓		
		Vector jump	ΔφU >		1									✓		
		Line differential	3IdL >	87L	1					✓	✓					
		Motor differential	3IdM >	87M	1							✓				
		Restricted earth fault	REF	87N	1					Op.*						
		Transformer differential	3IdT >	87T	1					Op.*						
		Trip Logic		94	1	✓	✓	✓	✓	✓	✓	✓	✓	✓	✓	
		Lockout Trip Logic		86	1	Op.	Op.	Op.	Op.	Op.	Op.	Op.	Op.	Op.	Op.	
		Busbar sub-unit				Op.	Op.	Op.								
		Bay control				✓	✓	✓	✓	✓	✓	✓	✓	✓	✓	
		Circuit breaker wear				✓	✓	✓	✓	✓	✓	✓	✓	✓	✓	
		Circuit breaker control				✓	✓	✓	✓	✓	✓	✓	✓	✓	✓	
		Disconnecter control				✓	✓	✓	✓	✓	✓	✓	✓	✓	✓	
		Ethernet Links				Op.	Op.	Op.	Op.	Op.	Op.	Op.	Op.	Op.	Op.	
		Trip Circuit Supervision		74TC		✓	✓	✓	✓	✓	✓	✓	✓	✓	✓	
		Fuse failure (VTS)		60	1				✓	✓	✓	✓	✓	✓	Op.	
		Current unbalance protection		60	1	✓	✓	✓	✓	✓	✓	✓		✓	✓	
		Measuring	Current input						✓	✓	✓	✓	✓		Op.	
		Voltage input				✓	✓	✓	✓	✓	✓	✓	✓	✓	✓	
		Line measurement				✓	✓	✓	✓	✓	✓	✓	✓	✓	✓	

Table 2-1 Basic functionality and I/O

3. Software configuration

3.1. Protection functions

The E3-Feeder configuration measures three phase currents, the zero sequence current component and additionally three phase voltages and the busbar voltage. These measurements allow, in addition to the current- and voltage-based functions, directionality extension of the configured phase and residual overcurrent function and also directional overpower or underpower functions. It is intended to protect overhead line or cable networks. The choice of the functions is extended with the automatic reclosing function and synchro- check. The configuration is designed to meet the requirements of a medium voltage field unit. Based on the voltage measurement also the frequency is evaluated to realize frequency- based protection functions.

The configured protection functions are listed in the Table below.

Protection functions	IEC	ANSI	E3-Feeder
Three-phase instantaneous overcurrent protection	$I >>>$	50	X
Three-phase time overcurrent protection	$I >, I >>$	51	X
Three-phase directional overcurrent protection	$I \text{ Dir } > >, I \text{ Dir } >>$	67	X
Residual instantaneous overcurrent protection	$I_0 >>>$	50N	X
Residual time overcurrent protection	$I_0 >, I_0 >>$	51N	X
Residual directional overcurrent protection	$I_0 \text{ Dir } > >, I_0 \text{ Dir } >>$	67N	X
Inrush detection and blocking	$I_{2h} >$	68	X
Negative sequence overcurrent protection	$I_2 >$	46	X
Thermal protection	$T >$	49	X
Definite time overvoltage protection	$U >, U >>$	59	X
Definite time undervoltage protection	$U <, U <<$	27	X
Residual overvoltage protection	$U_0 >, U_0 >>$	59N	X
Negative sequence overvoltage protection	$U_2 >$	47	X
Overfrequency protection	$f >, f >>$	81O	X
Underfrequency protection	$f <, f <<$	81U	X
Rate of change of frequency protection	df/dt	81R	X
Synchrocheck	SYNC	25	X
Auto-reclose	$0 - > 1$	79	X
Current unbalance protection		60	X
Breaker failure protection	CBFP	50BF	X
Directional overpower	$P >$	32	X
Directional underpower	$P <$	32	X
Busbar sub-unit			Op.

Table 1 The protection functions of the E3-Feeder configuration

The configured functions are drawn symbolically in the Figure below.

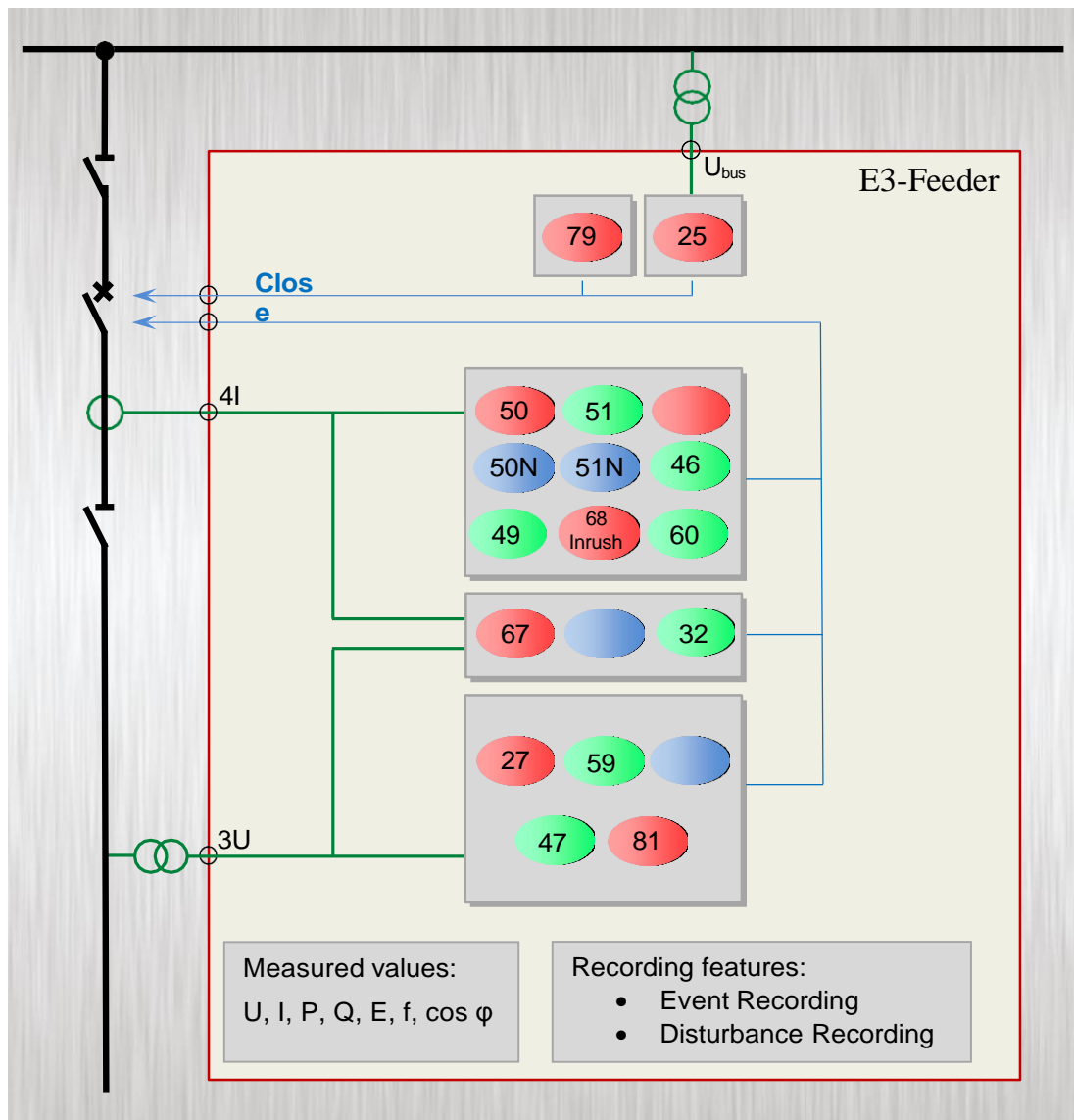
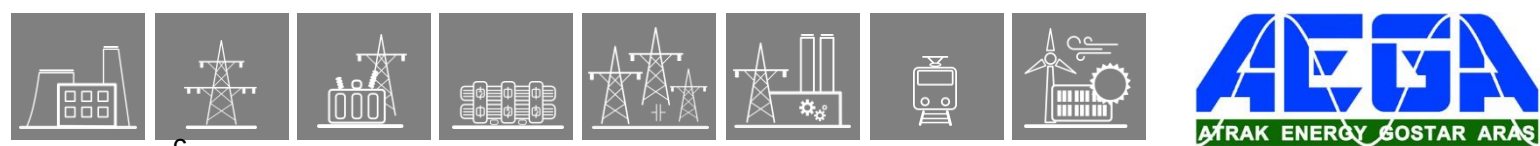


Figure 1 Implemented protection functions



C

3.1.1. Synchro check / synchro switch function

3.1.1.1. Application

Several problems can occur in the electric power system if the circuit breaker closes and connects two systems operating asynchronously. The high current surge can cause damage in the interconnecting elements, the accelerating forces can overstress the shafts of rotating machines or the actions taken by the protective system can result in the unwanted separation of parts of the electric power system.

To prevent such problems, this function checks whether the systems to be interconnected are operating synchronously. If yes, then the close command is transmitted to the circuit breaker. In case of asynchronous operation, the close command is delayed to wait for the appropriate vector position of the voltage vectors on both sides of the circuit breaker. If the conditions for safe closing cannot be fulfilled within an expected time, then closing is declined.

The conditions for safe closing are as follows:

- The difference of the voltage magnitudes is below the declared limit,
- The difference of the frequencies is below the declared limit and
- The angle difference between the voltages on both sides of the circuit breaker is within the declared limit.

3.1.1.2. Mode of operation

The function processes both automatic reclosing and manual close commands.

The limits for automatic reclosing and manual close commands can be set independently of each other.

The function compares the voltage of the line and the voltage of one of the bar sections (Bus1 or Bus2). The bus selection is made automatically based on a binary input signal defined by the user applying the graphic equation editor.

As to voltages: any phase-to-ground or phase-to-phase voltage can be selected.

The function processes the signals of the voltage transformer supervision function and enables the close command only in case of plausible voltages.

There are three modes of operation:

- Energizing check:
 - Dead bus, live line,
 - Live bus, dead line,
 - Any Energizing Case (including Dead bus, dead line).
- Synchro check (Live line, live bus)
- Synchro switch (Live line, live bus)

If the conditions for “Energizing check” or “Synchro check” are fulfilled, then the function generates the release command, and in case of a manual or automatic close request, the close command is generated.

If the conditions for energizing and synchronous operation are not met when the close request is received, then synchronous switching is attempted within the set time-out. In this case, the rotating vectors must fulfill the conditions for safe switching within the declared waiting time: at the moment the contacts of the circuit breaker are closed, the voltage vectors must match each other with appropriate accuracy. For this mode of operation, the expected operating time of the circuit breaker must be set as a parameter value, to generate the close command in advance taking the relative vector rotation into consideration.

The started checking procedure can be interrupted by a cancel command defined by the user in the graphic equation editor.

In “bypass” operation mode, the function generates the release signals and simply transmits the close command.

3.1.1.3. Structure of the synchro check/synchro switch function

The synchro check/synchro switch function contains two kinds of software blocks (See Figure 1-1):

- SYN25_Com is a common block for manual switching and automatic switching
- SYN25_EVA is an evaluation block, duplicated for manual switching and for automatic switching

These software blocks are explained in detail below.

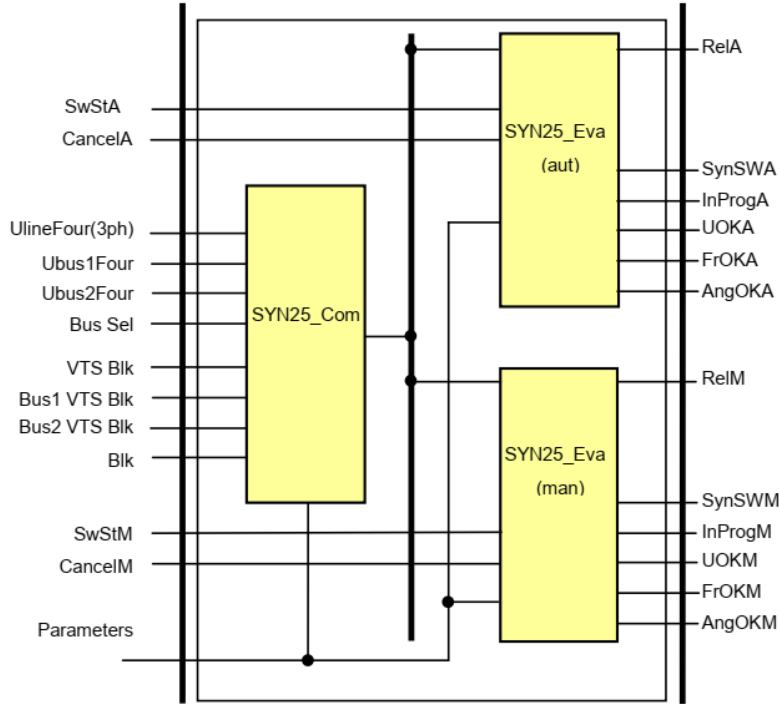
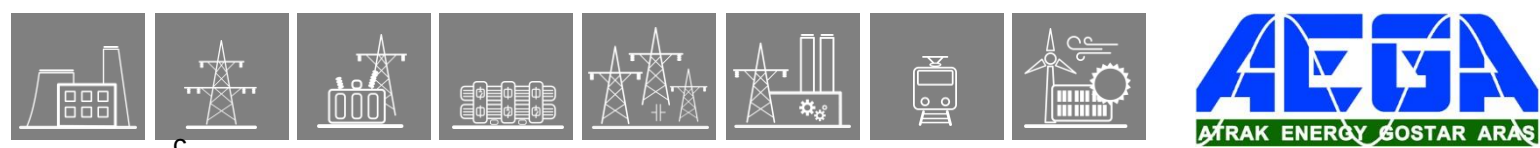


Figure 1-1 Structure of the synchro check/synchro switch function

Analog input signals

The function processes the result of three Fourier calculation blocks. These modules process the following voltages of the line and those of two bus sections.

- **UlineFour(3ph)** the Fourier components of the three phase voltages. The module selects one phase or one line-to-line voltage based on this set to be matched to the bus voltages.
- **Ubus1Four** and **Ubus2Four** the Fourier components characteristic for the bus sections. These can be a phase voltages of the same phase as it is selected from UlineFour(3ph) or matching line-to-line voltages. The selection is made by the parameter value of SYN25_VoltSel_EPar_ (Voltage select) (see Table 1-4). Between the two bus sections, a binary input signal controls the selection SYN25_BusSel_GrO_ (Bus select).



C

Binary input status signals

The synchro check / synchro switch function has binary input signals. **The conditions are defined by the user, applying the graphic equation editor.**

The **binary input status signals** of the synchro check / synchro switch function are listed in Table 1-1.

Binary status signal	Title	Explanation
SYN25_BlK_GrO_	Block	Blocking signal of the function
SYN25_BusSel_GrO_	Bus select	If this signal is logic TRUE, then the voltage of Bus2 is selected for evaluation
SYN25_VTSBlk_GrO_	VTS Block	Blocking signal of the voltage transformer supervision function evaluating the line voltage
SYN25_Bus1VTSBlk_GrO_	VTS Bus1 Block	Blocking signal of the voltage transformer supervision function evaluating the Bus1 voltage
SYN25_Bus2VTSBlk_GrO_	VTS Bus2 Block	Blocking signal of the voltage transformer supervision function evaluating the Bus2 voltage
SYN25_SwStA_GrO_	SySwitch Auto	Switching request signal initiated by the automatic reclosing function
SYN25_CancelA_GrO_	Cancel Auto	Signal to interrupt (cancel) the automatic switching procedure
SYN25_SwStM_GrO_	SySwitch Manual	Switching request signal initiated by manual closing
SYN25_CancelM_GrO_	Cancel Manual	Signal to interrupt (cancel) the manual switching procedure

Table 1-1 The binary input status signals of the synchro check / synchro switch function

The function is disabled if

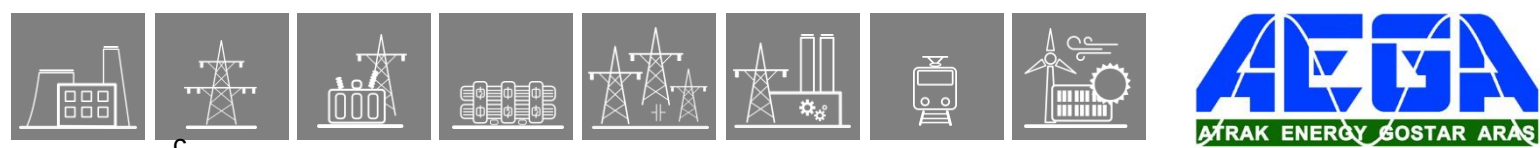
- The binary input SYN25_BlK_GrO_ (Block) signal is TRUE
- The voltage transformer supervision circuit for the line voltage blocks the operation SYN25_VTSBlk_GrO_ (VTS Block)
- The voltage transformer supervision circuit for the selected bus section blocks the operation SYN25_Bus1VTSBlk_GrO_ (VTS Bus1 Block) or SYN25_Bus2VTSBlk_GrO_ (VTS Bus2 Block)
- Parameter settings disable the operation (see details below)

The function can be started by the following binary input signals:

- SYN25_SwStA_GrO_ (SySwitch Auto) automatic starting
- starting SYN25_SwStM_GrO_ (SySwitch Manual) manual starting

If the function is in operation, then the process can be stopped (canceled) by the following binary input signals:

- SYN25_CancelA_GrO_ (Cancel Auto) canceling the automatic operation.
- operation SYN25_CancelM_GrO_ (Cancel Manual) canceling the manual operation.



C

The **binary output status signals** of the synchro check / synchro switch function are listed in Table 1-2.

Binary status signal	Title	Explanation
SYN25_RelA_Grl_	Release Auto	Releasing the close command initiated by the automatic reclosing function
SYN25_InProgA_Grl_	SynInProgr Auto	Switching procedure is in progress, initiated by the automatic reclosing function
SYN25_SynSWA_Grl_ *	Syn Cmd Auto *	Switching command initiated by the automatic reclosing function *
SYN25_UOKA_Grl_	Udiff OK Auto	The voltage difference is appropriate for automatic closing command
SYN25_FrOKA_Grl_	FreqDiff OK Auto	The frequency difference is appropriate for automatic closing command, evaluated for synchro-check **
SYN25_AngOKA_Grl_	Angle OK Auto	The angle difference is appropriate for automatic closing command
SYN25_RelM_Grl_	Release Man	Releasing the close command, initiated by manual closing request
SYN25_InProgM_Grl_	SynInProgr Man	Switching procedure is in progress, initiated by the manual closing command
SYN25_SynSWM_Grl_ *	Syn Cmd Man *	Switching command initiated by the manual closing command *
SYN25_UOKM_Grl_	Udiff OK Man	The voltage difference is appropriate for manual closing command
SYN25_FrOKM_Grl_	FreqDiff OK Man	The frequency difference is appropriate for manual closing command, evaluated for synchro-check **
SYN25_AngOKM_Grl_	Angle OK Man	The angle difference is appropriate for manual closing command
SYN25_SynSW_Grl_ *	Syn Cmd *	Switching command, OR connection of manual and automatic closing*

* This command can be assigned directly to an output contact (defined in the "L1 contact" menu of the EuroCap configuration software), it is not published for logic signal processing, using the graphic editor

** The frequency is evaluated using the weighted sum of the three phase voltages

Table 1-2 The binary output status signals of the synchro check / synchro switch function

3.1.1.3.1. The common software block

In this paragraph the operation of the software block SYN25_Com of the Figure 1-1 is described. This block selects the appropriate voltages for processing and calculates the voltage difference, the frequency difference and the phase angle difference between the selected voltages. The magnitude of the selected voltages is passed for further evaluation, too. The structure of this software block is shown on Figure 1-2.

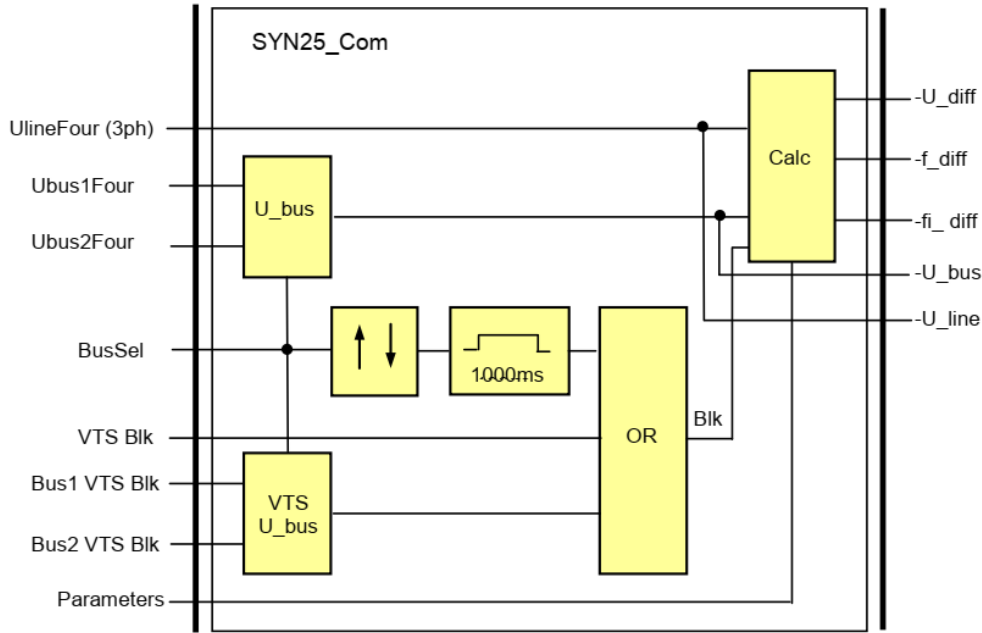


Figure 1-2 Structure of the common software block

Analog input signals

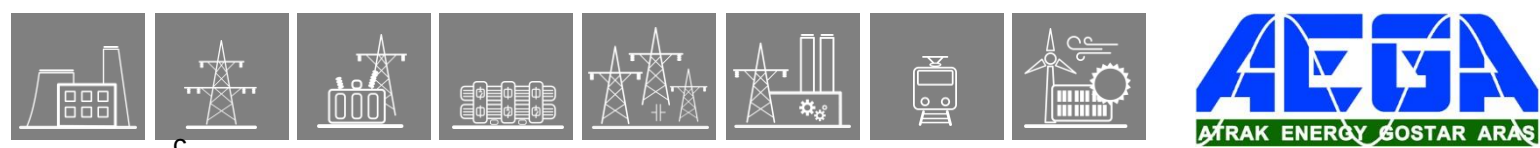
The function processes the result of three Fourier calculation blocks. These modules process the following voltages of the line and those of two bus sections.

- **UlineFour(3ph)** the Fourier components of the three phase voltages. The module selects one phase or one line-to-line voltage based on this set to be matched to the bus voltages.
- **Ubus1Four** and **Ubus2Four** the Fourier components characteristic for the bus sections. These can be a phase voltages of the same phase as it is selected from UlineFour(3ph) or matching line-to-line voltages. The selection is made by the parameter value of SYN25_VoltSel_EPar_ (Voltage select) (see Table 1-4). Between the two bus sections, a binary input signal controls the selection SYN25_BusSel_GrO_ (Bus select).

Binary input status signals

The synchro check / synchro switch function has binary input signals. **The conditions are defined by the user, applying the graphic equation editor.**

The **binary input status signals** of the synchro check / synchro switch function are listed in Table 1-3.



C

Binary status signal	Title	Explanation
SYN25_BusSel_GrO_	Bus select	If this signal is logic TRUE, then the voltage of Bus2 is selected for evaluation
SYN25_VTSBlk_GrO_	VTS Block	Blocking signal of the voltage transformer supervision function evaluating the line voltage
SYN25_Bus1VTSBlk_GrO_	VTS Bus1 Block	Blocking signal of the voltage transformer supervision function evaluating the Bus1 voltage
SYN25_Bus2VTSBlk_GrO_	VTS Bus2 Block	Blocking signal of the voltage transformer supervision function evaluating the Bus2 voltage
SYN25_Blk_GrO_	Block	Blocking signal of the function

Table 1-3 The binary input status signals of the common software block

The calculated or selected output values are:

- U_diff the magnitude difference between the selected voltages
- f_diff the frequency difference between the selected voltages
- fi_diff the phase angle difference between the selected voltages
- U_line the magnitude of the selected line voltage
- U_bus the magnitude of the voltage of the appropriate bus section

These values are further processed by the evaluation software blocks (See Figure 1-1).

The function is disabled if

- The binary input SYN25_Blk_GrO_ (Block) signal is TRUE
- The voltage transformer supervision circuit for the line voltage blocks the operation SYN25_VTSBlk_GrO_ (VTS Block)
- The voltage transformer supervision circuit for the selected bus section blocks the operation SYN25_Bus1VTSBlk_GrO_ (VTS Bus1 Block) or SYN25_Bus2VTSBlk_GrO_ (VTS Bus2 Block)
- Parameter settings disable the operation (see details below)

If the active bus section changes, then the function is dynamically blocked for 1000 ms; no release signal or switching command is generated.

This software block has no **binary output status signals**.

The processed line voltage is selected based on the preset parameter SYN25_VoltSel_EPar_ (Voltage select). The choice is: L1-N,L2-N,L3-N,L1-L2,L2-L3,L3-L1. The parameter value must match the input voltages received from the bus sections.

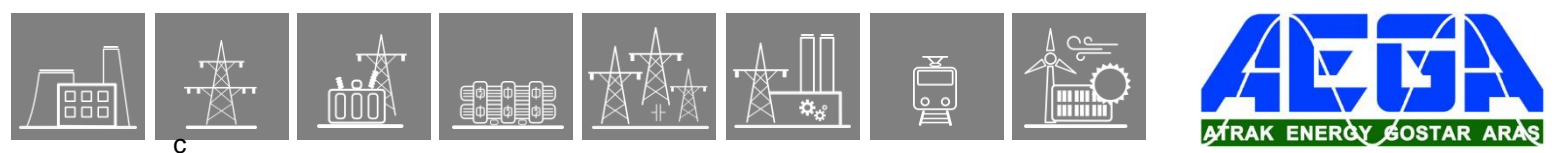
The active bus section is selected by the input signal SYN25_BusSel_GrO_ (Bus select). If this signal is logic TRUE, then the voltage of Bus2 is selected for evaluation.

The parameter of this software block is shown in Table 1-4 below:

Enumerated parameter

Parameter name	Title	Selection range	Default
Selection of the processed voltage			
SYN25_VoltSel_EPar_	Voltage Select	L1-N,L2-N,L3-N,L1-L2,L2-L3,L3-L1	L1-N

Table 1-4 The enumerated parameter of the common software block



C

3.1.1.3.2. The evaluation software block

The operation of the software block SYN25_Eva of Figure 1-1 is described in this paragraph. This software block is applied separately for automatic and manual commands. This separation allows the application to use different parameter values for the two modes of operation.

The structure of the evaluation software block is shown in Figure 1-3.

Analog input signals

The function processes the results of the common block (See Paragraph 1.3.1).

The analog input values are:

- U_diff the magnitude difference between the selected voltages
- f_diff the frequency difference between the selected voltages
- fi_diff the phase angle difference between the selected voltages
- U_line the magnitude of the selected line voltage
- U_bus the magnitude of the voltage of the appropriate bus section

Binary input status signals

The evaluation software block has binary input status signals. **The conditions are defined by the user, applying the graphic equation editor.**

The **binary input status signals** of the evaluation software block are listed in Table 1-5

Binary status signal	Title	Explanation
SYN25_SwStA_GrO_	SySwitch Auto	Switching request signal initiated by the automatic reclosing function
SYN25_CancelA_GrO_	Cancel Auto	Signal to interrupt (cancel) the automatic switching procedure
SYN25_SwStM_GrO_	SySwitch Manual	Switching request signal initiated by manual closing
SYN25_CancelM_GrO_	Cancel Manual	Signal to interrupt (cancel) the manual switching procedure

Table 1-5 The binary input signal of the evaluation software block

The **binary output status signals** of the evaluation software block are shown in Table 1-6 for automatic starting and in Table 1-7 for manual starting.

C

Binary status signal	Title	Explanation
SYN25_RelA_Grl_	Release Auto	Releasing the close command initiated by the automatic reclosing function
SYN25_InProgA_Grl_	SynInProgr Auto	Switching procedure is in progress, initiated by the automatic reclosing function
SYN25_UOKA_Grl_	Udiff OK Auto	The voltage difference is appropriate for automatic closing command
SYN25_FrOKA_Grl_	FreqDiff OK Auto	The frequency difference is appropriate for automatic closing command, evaluated for synchro-check **
SYN25_AngOKA_Grl_	Angle OK Auto	The angle difference is appropriate for automatic closing command
SYN25_SynSWA_Grl_ *	Syn Cmd Auto *	Switching command initiated by the automatic reclosing function *

▪ This command can be assigned directly to an output contact; it is not published for logic signal processing, using the graphic editor

** The frequency is evaluated using the weighted sum of the three phase voltages

Table 1-6 The binary output status signals of the evaluation software block for automatic starting

Binary status signal	Title	Explanation
SYN25_RelM_Grl_	Release Man	Releasing the close command, initiated by manual closing request
SYN25_InProgM_Grl_	SynInProgr Man	Switching procedure is in progress, initiated by the manual closing command
SYN25_UOKM_Grl_	Udiff OK Man	The voltage difference is appropriate for manual closing command
SYN25_FrOKM_Grl_	FreqDiff OK Man	The frequency difference is appropriate for manual closing command, evaluated for synchro-check **
SYN25_AngOKM_Grl_	Angle OK Man	The angle difference is appropriate for manual closing command
SYN25_SynSWM_Grl_ *	Syn Cmd Man *	Switching command initiated by the manual closing command *

▪ This command can be assigned directly to an output contact; it is not published for logic signal processing, using the graphic editor

** The frequency is evaluated using the weighted sum of the three phase voltages

Table 1-7 The binary output status signals of the evaluation software block for manual starting

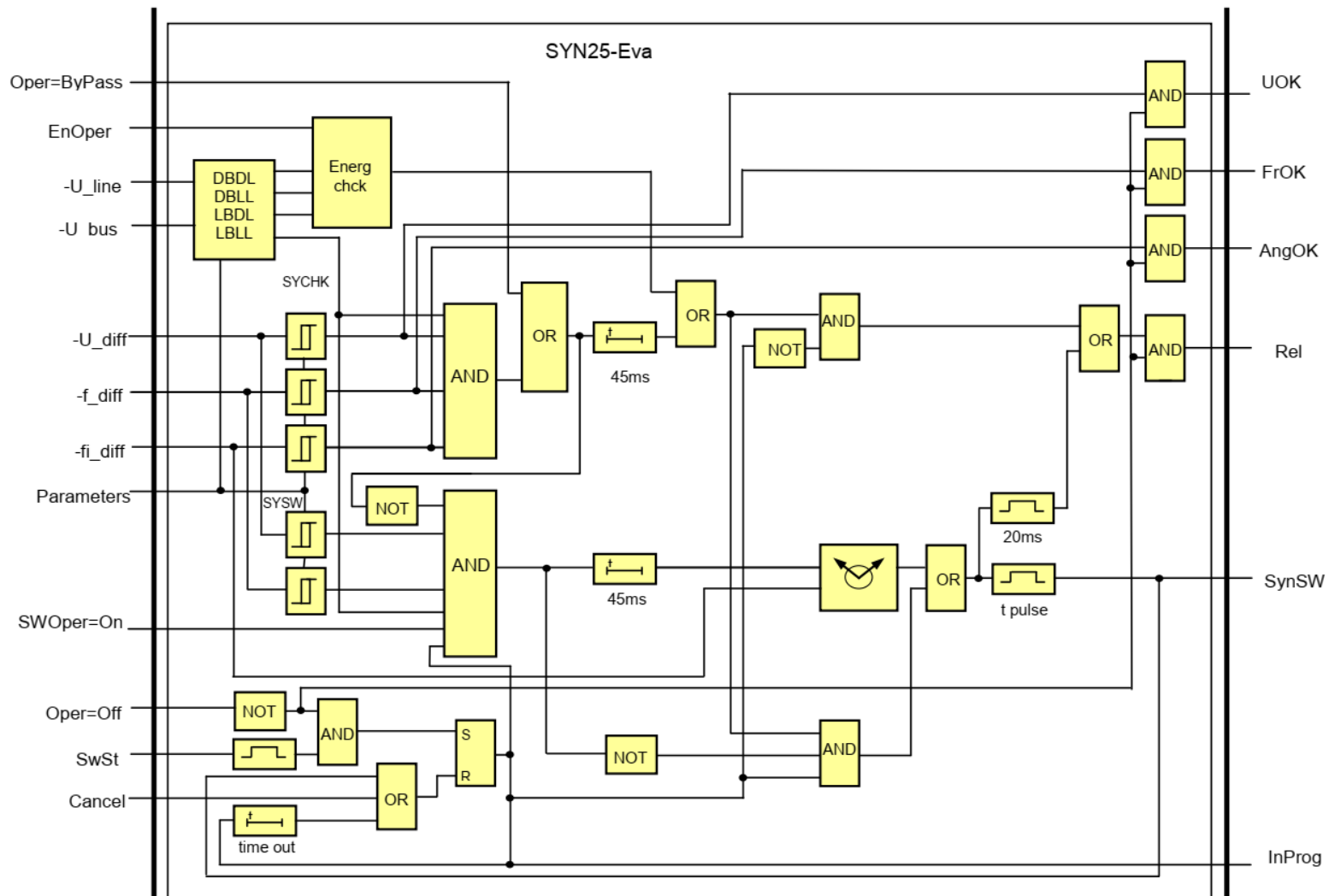
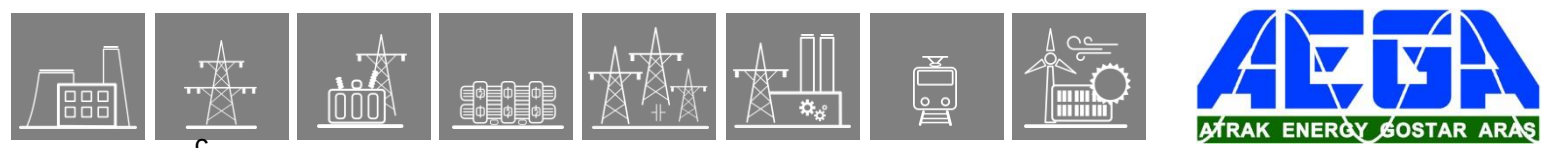


Figure 1-3 Structure of the evaluation software block



C

Explanation of the operation

This evaluation software block is used for two purposes: for the automatic reclosing command (the signal names have the suffix "A") and for the manual close request (the signal names have the suffix "M").

As the first step, based on the selected line voltage and bus voltage, the state of the required switching is decided (Dead bus-Dead line, Dead bus-Live line, Live bus-Dead line or Live bus-Live line). The parameters for decision are SYN25_LiveU_IPar_ (U Live) and SYN25_DealU_IPar_ (U Dead). The enumerated parameters SYN25_EnOperA_EPar_ / SYN25_EnOperM_EPar_ (Energizing Auto/Manual) enable the operation individually. The choice is: (Off, DeadBus LiveLine, LiveBus DeadLine, Any energ case). In simple energizing modes, no further checking is needed.

This mode selection is bypassed if the parameter SYN25_OperA_EPar_ SYN25_OperM_EPar_ (Operation Auto/Manual) is set to "ByPass". In this case the command is transmitted without any further checking.

First, the function tries switching with synchro check (SYCHK on the Figure 1-3). This is possible if:

- the voltage difference is within the defined limits (parameters SYN25_ChkUdA_IPar_ / SYN25_ChkUdM_IPar_ (Udiff SynChk Auto/Manual))
- the frequency difference is within the defined limits (parameters SYN25_ChkFrDA_FPar_ / SYN25_ChkFrDM_FPar_ (FrDiff SynChk Auto)) and
- the phase angle difference is within the defined limits (parameters SYN25_MaxPhDiffA_IPar_ / SYN25_MaxPhDiffM_IPar_ (MaxPhaseDiff Auto/Manual)).

These conditions are signaled on dedicated binary outputs:

- SYN25_UOKM_GrI_ / SYN25_UOKA_GrI_ if the voltage magnitudes are OK
- SYN25_FrOKM_GrI_ / SYN25_FrOKA_GrI_ if the frequency difference is OK
- SYN25_AngOKM_GrI_ / SYN25_AngOKA_GrI_ if the angle difference is OK

If the conditions are fulfilled for at least 45 ms, then the function generates a release output signal SYN25_ReIM_GrI_ / SYN25_ReIA_GrI_ (Release Auto/Manual).

If the conditions for synchro check operation are not fulfilled and a close request is received as the input signal SYN25_SwStA_GrO_ / SYN25_SwStM_GrO_ (SySwitch Auto/Manual), then synchro switching is attempted. (SYSW in Figure 1-3). This is possible if:

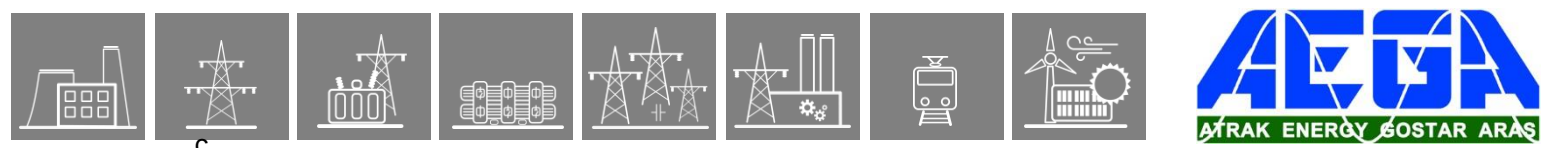
- the voltage difference is within the defined limits (parameters SYN25_SwUdA_IPar_ / SYN25_SwUdM_IPar_ (Udiff SynSW Auto /Manual))
- the frequency difference is within the defined limits (parameters SYN25_SwFrDA_FPar_ / SYN25_SwFrDM_FPar_ (FrDiff SynSW Auto)).

These parameters are independent of those for the synchro check function.

If the conditions for synchro check are not fulfilled and the conditions for synchro switch are OK, then the relative rotation of the voltage vectors is monitored. The command is generated before the synchronous position, taking the breaker closing time into consideration SYN25_CBTrav_TPar_ (Breaker Time). The pulse duration is defined by the parameter SYN25_SwPu_TPar_ (Close Pulse).

In case of slow rotation and if the vectors are for a long time near-opposite vector positions, the waiting time is limited by the preset parameter SYN25_MaxSw_TPar_ (Max.Switch Time).

The progress is indicated by the output status signal SYN25_InProgM_GrI_ / SYN25_InProgM_GrI_ (SynInProgr Auto/Manual).



C

The started command can be canceled using the input signal SYN25_CancelA_GrO_/ SYN25_CancelM_GrO_ (Cancel Auto/Manual).

Enumerated parameters for automatic switching

Parameter name	Title	Selection range	Default
Operation mode for automatic switching			
SYN25_OperA_EPar_	Operation Auto	Off, On, ByPass	On
Enabling/disabling automatic switching			
SYN25_SwOperA_EPar_	SynSwitch Auto	Off,On	On
Energizing mode for automatic switching			
SYN25_EnOperA_EPar_	Energizing Auto	Off, DeadBus LiveLine, LiveBus DeadLine, Any energ case	DeadBus LiveLine

Table 1-8 The enumerated parameters of the evaluation software block for automatic switching

Enumerated parameters for manual switching

Parameter name	Title	Selection range	Default
Operation mode for manual switching			
SYN25_OperM_EPar_	Operation Man	Off, On, ByPass	On
Enabling/disabling manual switching			
SYN25_SwOperM_EPar_	SynSwitch Man	Off,On	On
Energizing mode for manual switching			
SYN25_EnOperM_EPar_	Energizing Man	Off,DeadBus LiveLine, LiveBus DeadLine, Any energ case	DeadBus LiveLine

Tables 1-9 The enumerated parameters of the evaluation software block for manual switching

Integer parameters

Parameter name	Title	Unit	Min	Max	Step	Default
Voltage limit for "live line" detection						
SYN25_LiveU_IPar_	U Live	%	60	110	1	70
Voltage limit for "dead line" detection						
SYN25_DeadU_IPar_	U Dead	%	10	60	1	30

Table 1-10 Integer parameters of the evaluation software block

Parameter name	Title	Unit	Min	Max	Step	Default
Voltage difference for automatic synchro checking mode						
SYN25_ChkUdA_IPar_	Udiff SynChk Auto	%	5	30	1	10
Voltage difference for automatic synchro switching mode						
SYN25_SwUdA_IPar_	Udiff SynSW Auto	%	5	30	1	10
Phase difference for automatic switching						
SYN25_MaxPhDiffA_IPar_	MaxPhaseDiff Auto	deg	5	80	1	20

Table 1-11 Integer parameters of the evaluation software block for automatic switching

3.1.1.4.3. Summary of the generated output signals

The **binary output status signals** of the synchro check / synchro switch function are listed in Table 1-21.

Binary status signal	Title	Explanation
SYN25_RelA_Grl_	Release Auto	Releasing the close command initiated by the automatic reclosing function
SYN25_InProgA_Grl_	SynInProgr Auto	Switching procedure is in progress, initiated by the automatic reclosing function
SYN25_UOKA_Grl_	Udiff OK Auto	The voltage difference is appropriate for automatic closing command
SYN25_FrOKA_Grl_	FreqDiff OK Auto	The frequency difference is appropriate for automatic closing command, evaluated for synchro-check **
SYN25_AngOKA_Grl_	Angle OK Auto	The angle difference is appropriate for automatic closing command
SYN25_RelM_Grl_	Release Man	Releasing the close command, initiated by manual closing request
SYN25_InProgM_Grl_	SynInProgr Man	Switching procedure is in progress, initiated by the manual closing command
SYN25_UOKM_Grl_	Udiff OK Man	The voltage difference is appropriate for manual closing command
SYN25_FrOKM_Grl_	FreqDiff OK Man	The frequency difference is appropriate for manual closing command, evaluated for synchro-check **
SYN25_AngOKM_Grl_	Angle OK Man	The angle difference is appropriate for manual closing command

** *The frequency is evaluated using the weighted sum of the three phase voltages*

Table 1-21 *The binary output status signals of the synchro check / synchro switch function*

3.1.1.4.4. Summary of the input signals

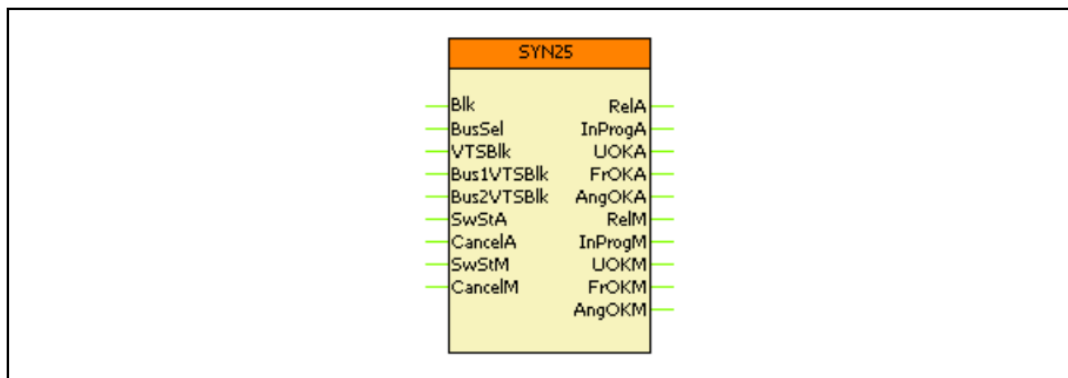
Binary input status signals

The synchro check / synchro switch function has binary input status signals. **The conditions are defined by the user, applying the graphic equation editor.**

The **binary input status signals** of the synchro check / synchro switch function are listed in Table 1-22.

Binary status signal	Title	Explanation
SYN25_BusSel_GrO_	Bus select	If this signal is logic TRUE, then the voltage of Bus2 is selected for evaluation
SYN25_VTSBlk_GrO_	VTS Block	Blocking signal of the voltage transformer supervision function evaluating the line voltage
SYN25_Bus1VTSBlk_GrO_	VTS Bus1 Block	Blocking signal of the voltage transformer supervision function evaluating the Bus1 voltage
SYN25_Bus2VTSBlk_GrO_	VTS Bus2 Block	Blocking signal of the voltage transformer supervision function evaluating the Bus2 voltage
SYN25_SwStA_GrO_	SySwitch Auto	Switching request signal initiated by the automatic reclosing function
SYN25_CancelA_GrO_	Cancel Auto	Signal to interrupt (cancel) the automatic switching procedure
SYN25_Blk_GrO_	Block	Blocking signal of the function
SYN25_SwStM_GrO_	SySwitch Manual	Switching request signal initiated by manual closing
SYN25_CancelM_GrO_	Cancel Manual	Signal to interrupt (cancel) the manual switching procedure

Table 1-22 The binary input signal of the synchro check / synchro switch function



The symbol of the function block in the graphic editor

The names of the input and output signals are parts of the “Binary status signal” names listed in Table 1-21 and Table 1-22.

3.1.2.5. The Fourier calculation (Fourier)

These modules calculate the basic Fourier components of the phase voltages individually. They are not part of the TUV27 function; they belong to the preparatory phase.

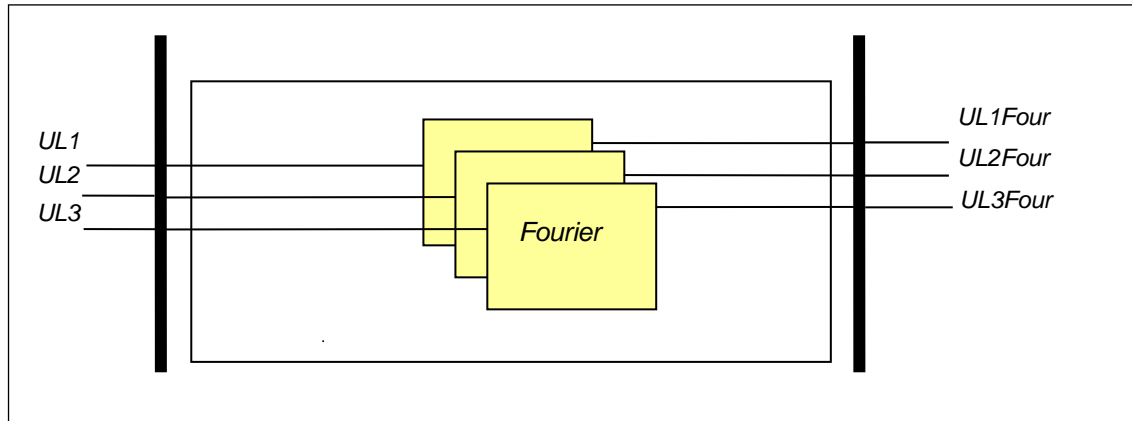


Figure 1-3 Schema of the Fourier calculation

The **inputs** are the sampled values of the three phase voltages (UL1, UL2, UL3)

The **outputs** are the basic Fourier components of the analyzed voltages (UL1Four, UL2Four, UL3Four).

The phase-to-phase voltages (if used) are also calculated here.

3.1.2.6. The definite time characteristics (Characteristics)

This module decides the stating of the function based on the Fourier components of the phase voltages and it counts the time delay. The time delay is defined by the parameter setting, if the voltages are below the setting value.

The **inputs** are the basic Fourier components of the phase (or the calculated phase-to-phase) voltages (UL1Four, UL2Four, UL3Four) and parameters.

The **outputs** are the status signals of the three phases individually. These indicate the started state and the generated trip command if the time delay determined by the setting is expired.

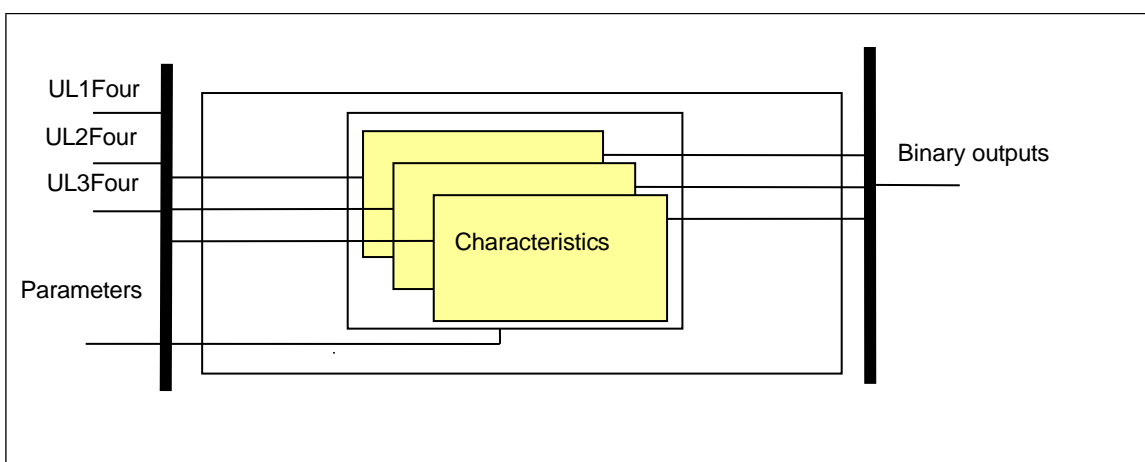


Figure 1-4 Schema of the definite time characteristic calculation

Enumerated parameter

Parameter name	Title	Selection range	Default
Enabling or disabling the undervoltage protection function			
TUV27_Oper_EPar_	Operation	Off, 1 out of 3, 2 out of 3, All	Off

Table 1-1 The enumerated parameter of the undervoltage protection function

Integer parameters

Parameter name	Title	Unit	Min	Max	Step	Default
Starting voltage level setting. If the measured voltage is below the setting value, the function generates a start signal.						
TUV27_StVol_IPar_	Start Voltage	%	30	130	1	90
Blocking voltage level setting. If the measured voltage is below the setting value, the function blocks the start signal.						
TUV27_BlkVol_IPar_	Block Voltage	%	0	20	1	10

Table 1-2 Integer parameters of the undervoltage protection function

Floating point parameter

Parameter name	Title	Unit	Min	Max	Step	Default
Starting voltage level setting. If the measured voltage is below the setting value, the function generates a start signal.						
TUV27_ResetRatio_FPar_	Reset Ratio	%	1	10	1	5

Table 1-3 Floating point parameter of the undervoltage protection function

Boolean parameter

Parameter name	Title	Default	Explanation
TUV27_StOnly_BPar_	Start Signal Only	0	Selection if starting and trip signal or starting signal only is to be generated. Set 0 for trip command generation.

Table 1-4 The Boolean parameter of the undervoltage protection function

Timer parameter

Parameter name	Title	Unit	Min	Max	Step	Default
Time delay of the undervoltage protection function.						
TUV27_Delay_TPar_	Time Delay	ms	50	60000	1	100

Table 1-5 Timer parameter of the undervoltage protection function

The **binary output status signals** of the three-phase definite time undervoltage protection function are listed in *Table 1-6*.

Binary output signals	Signal title	Explanation
TUV27_StL1_Grl_	StL1	Starting of the function in phase L1*
TUV27_TrL1_Grl_	TrL1**	Trip command of the function in phase L1*
TUV27_StL2_Grl_	StL2	Starting of the function in phase L2*
TUV27_TrL2_Grl_	TrL2**	Trip command of the function in phase L2*
TUV27_StL3_Grl_	StL3	Starting of the function in phase L3*
TUV27_TrL3_Grl_	TrL3**	Trip command of the function in phase L3*

*In case of phase-to-phase voltages, these are changed to L12, L23, L31 respectively.

**The trip signals are not published for the phases individually

Table 1-6 The binary output status signals of the definite time undervoltage protection function

3.1.2.7. The decision logic (Decision logic)

The decision logic module combines the status signals, binary and enumerated parameters to generate the trip command of the function.

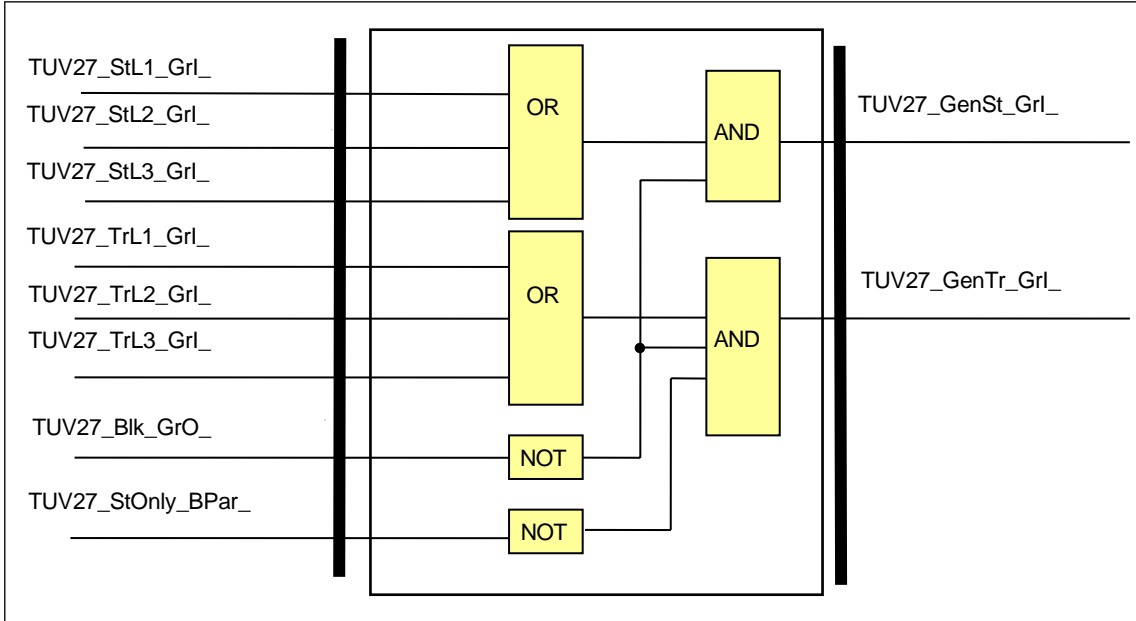


Figure 1-5 The logic scheme of the definite time undervoltage protection function

Binary input signals	Signal title	Explanation
TUV27_StL1_Grl_	StL1	Starting of the function in phase L1*
TUV27_TrL1_Grl_	TrL1**	Trip command of the function in phase L1*
TUV27_StL2_Grl_	StL2	Starting of the function in phase L2*
TUV27_TrL2_Grl_	TrL2**	Trip command of the function in phase L2*
TUV27_StL3_Grl_	StL3	Starting of the function in phase L3*
TUV27_TrL3_Grl_	TrL3**	Trip command of the function in phase L3*

*In case of phase-to-phase voltages, these are changed to L12, L23, L31 respectively.

**The trip signals are not published for the phases individually

Table 1-7 The binary input signals of the definite time undervoltage protection function

Boolean parameter

Parameter name	Title	Default
Enabling start signal only:		
TUV27_StOnly_BPar_	Start Signal Only	FALSE

Table 1-8 The Boolean parameter of the definite time undervoltage protection function

Binary status signals

The undervoltage protection function has a binary input signal, which serves the purpose of disabling the function. The conditions of disabling are defined by the user, applying the graphic equation editor.

Binary input status signal	Signal title	Explanation
TUV27_BlK_GrO_	Blk	Output status of a graphic equation defined by the user to disable the definite time undervoltage protection function.

Table 1-9 The binary input status signal of the definite time undervoltage protection function

Binary output status signal	Signal title	Explanation
TUV27_GenSt_Grl_	GenSt	General starting of the function
TUV27_GenTr_Grl_	GenTr	General trip command of the function

Table 1-10 The binary output status signals of the definite time undervoltage protection function

3.1.2.8. Technical summary

3.1.2.8.1. Technical data

Function	Value	Accuracy
Pick-up starting accuracy		< ± 0,5 %
Blocking voltage		< ± 1,5 %
Reset time		
U> → Un	50 ms	
U> → 0	40 ms	
Operate time accuracy		< ± 20 ms
Minimum operate time	50 ms	

Table 1-11 Technical data of the undervoltage protection function

3.1.2.8.1.1. The parameters

The parameters are summarized in Chapters 3.1.2.5 and 3.1.2.6

3.1.2.8.2. Binary output status signals

The **binary output status signals** of undervoltage protection function are listed in [Table 1-12](#)

Binary output status signal	Title	Explanation
TUV27_StL1_Grl_	StL1	Start in phase L1*
TUV27_StL2_Grl_	StL2	Start in phase L2*
TUV27_StL3_Grl_	StL3	Start in phase L3*
TUV27_GenSt_Grl_	GenSt	General start signal
TUV27_GenTr_Grl_	GenTr	General trip command

*In case of phase-to-phase voltages, these are changed to L12, L23, L31 respectively.

Table 1-12 The binary output status signals of the undervoltage protection function

3.1.2.8.3. Binary input status signals

Binary input signals

The undervoltage protection function has a binary input signal, which serves the purpose of disabling the function. **The conditions of disabling are defined by the user, applying the graphic equation editor.**

Binary status signal	Title	Explanation
TUV27_BlK_GrO_	Blk	Blocking of the undervoltage protection function

Table 1-13 The binary input signal of undervoltage protection function

3.1.2.8.4. The function block

The function block of undervoltage protection function is shown in [Figure 1-6](#). This block shows all binary input and output status signals that are applicable in the graphic equation editor.

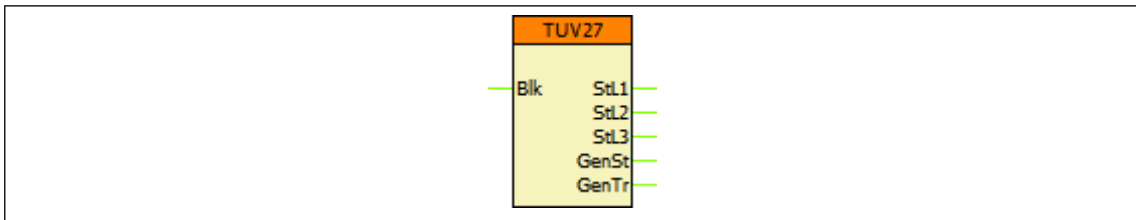


Figure 1-6 The function block of undervoltage protection function

3.1.3. Directional over-power protection function

3.1.3.1. Application

The directional over-power protection function can be applied to protect any elements of the electric power system mainly generators if the active and/or reactive power has to be limited.

3.1.3.2. Mode of operation

The inputs of the function are the Fourier basic harmonic components of the three phase currents and those of the three phase voltages.

Based on the measured voltages and currents, the block calculates the three-phase active and reactive power (point S in Figure 1-1) and compares the P-Q coordinates with the defined characteristics on the power plane. The characteristic is defined as a line laying on the point S_s and perpendicular to the direction of S_s . The S_s point is defined by the “Start power” magnitude and the “Direction angle”. The over-power function operates if the angle of the S- S_s vector related to the directional line is below 90 degrees and above -90 degrees.

At operation, the “Start power” value is decreased by a hysteresis value.

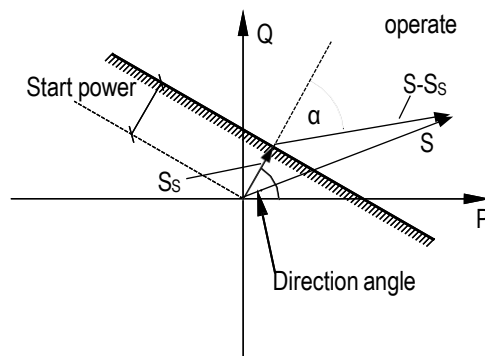


Figure 1-1 The directional over-power decision

3.1.3.3. Structure of the directional over-power protection algorithm

Figure 1-2 shows the structure of the directional over-power protection (DOP32) algorithm.

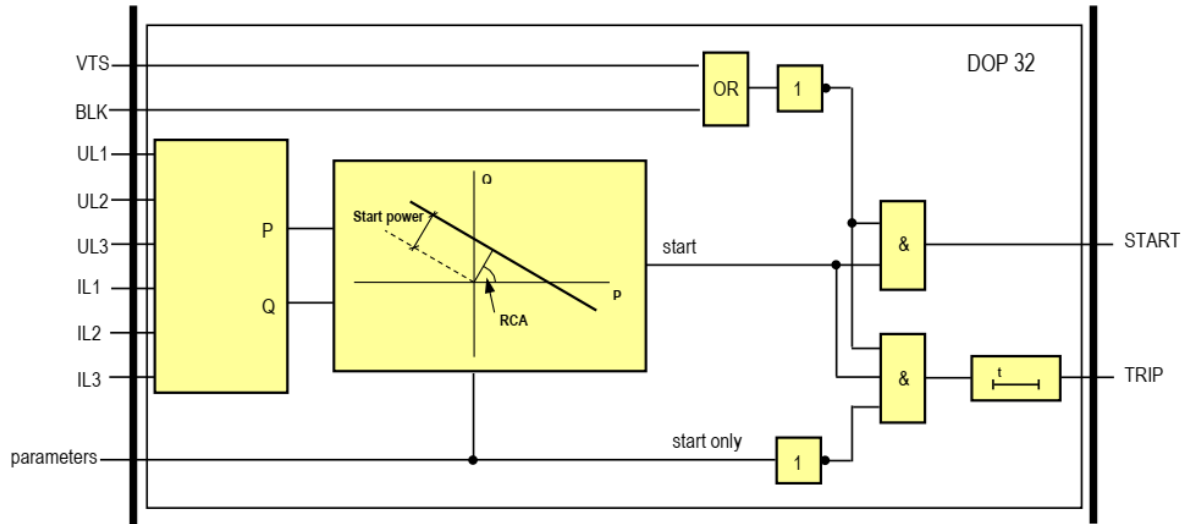


Figure 1-2 Structure of the directional over-power protection algorithm

The **inputs** are

- the RMS value of the fundamental Fourier component of the three phase currents (IL1, IL2, IL3),
- the RMS value of the fundamental Fourier component of the three phase voltages (UL1, UL2, UL3),
- parameters, status signals

The function can be enabled or disabled (Blk). The status signal of the VTS (voltage transformer supervision) function can also disable the directional operation.

The **outputs** are

- the binary output status signals.

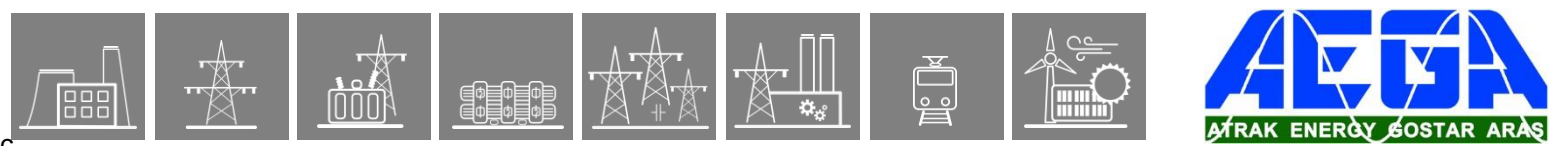
The **software modules** of the directional over-power protection function are described in the following chapter.

3.1.3.3.1. P-Q calculation

Based on the RMS values of the fundamental Fourier component of the three phase currents and of the three phase voltages, this module calculates the three-phase active and reactive power values.

The **input signals** are the RMS values of the fundamental Fourier components of the three phase currents and three phase voltages.

The **internal output signals** are the calculated three-phase active and reactive power values.



3.1.3.3.2. Directional decision

This module decides if, on the power plane, the calculated complex power is farther from the origin than the corresponding point of the characteristic line. The operation of this function is explained in Figure 1-1.

The **internal input signals** are the calculated active and reactive power values.

The **internal output signal** is the start signal of the function.

3.1.3.3.3. The decision logic

This part of the function block combines status signals to make a decision to start. Additionally to the directional decision, for the operation, the function must not be blocked by the general “Block” signal, and may not be blocked by the signal “Block for VTS” of the voltage transformer supervision function.

If the parameter setting requires also a trip signal (Start Signal Only = 0), then the measurement of the definite time delay is started. The expiry of this timer results in a trip command.

3.1.3.4. Directional over-power protection function overview

The function block of the directional over-power protection function is shown on the figure below. This block shows all binary input and output status signals that are applicable in the graphic equation editor.

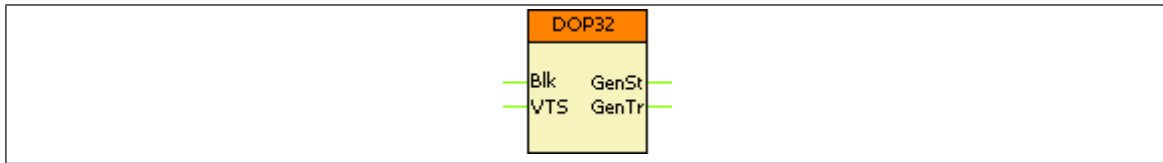


Figure 2-1 The function block of the directional over-power protection function

3.1.3.5. Settings

3.1.3.5.1. Parameters

Table 2-1 Parameters of the over-power protection function

TITLE	DIM	RANGE	STEP	DEFAULT	EXPLANATION
Operation	-	Off, On	-	Off	Enabling the function
Start Signal Only	-	FALSE, TRUE	-	FALSE	Selection: start signal only or both start signal and trip command
Direction Angle	deg	-179 – 180	1	0	Angle which belongs to Start power
Start Power	%	1.0 – 200.0	0.1	10.0	Start power of the function
Time Delay	msec	200 – 60000	1	200	Definite time delay of the trip command

3.1.3.6. Function I/O

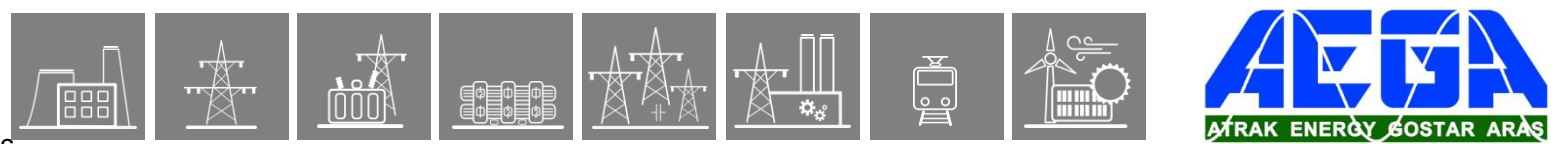
This section describes briefly the analogue and digital inputs and outputs of the function block.

3.1.3.6.1. Binary output signals (graphed input statuses)

The binary output status signals of the over-power protection function can be found in the following table. **Parts** written in **bold** are seen on the function block in the logic editor.

Table 2-2 The binary output status signals of the directional over-power protection function

BINARY STATUS SIGNAL	TITLE	EXPLANATION
DOP32_ GenSt _Grl_	General Start	General start signal of the function
DOP32_ GenTr _Grl_	General Trip	Trip command of the function



3.1.3.6.2. Binary input signals (graphed output statuses)

The directional over-power protection function has binary input status signals. **The conditions are defined by the user, applying the graphic equation editor.**

Table 2-3 The binary input status signals of the directional over-power protection function

BINARY STATUS SIGNAL	TITLE	EXPLANATION
DOP32_VTS_GrO_	Block from VTS	Blocking signal from the voltage transformer supervision function
DOP32_Blk_GrO_	Block	General blocking signal

3.1.3.6.3. On-line data

Visible values on the on-line data page:

Table 2-4 On-line data of the directional over-power protection function

SIGNAL TITLE	DIMENSION	EXPLANATION
General Start	-	General start of the function
General Trip	-	General trip command of the function

3.1.3.6.4. Events

The following events are generated in the event list, as well as sent to SCADA according to the configuration.

Table 2-5 Events of the directional over-power protection function

EVENT	VALUE	EXPLANATION
General Start	off, on	General start of the function
General Trip	off, on	General trip command of the function

3.1.3.7. Technical data

Table 2-6 Technical data of the directional over-power protection function

FUNCTION	VALUE	ACCURACY
P, Q measurement	$I > 10\% I_n^*$	< 5%
P, Q measurement with CT1500	$I > 5\% I_n^*$	< 5%
Direction angle	$-179 - + 180^\circ^*$	< 5%
	* = Angle btw. U&I: $-70^\circ - +70^\circ$	
Reset ratio	0,95	
Reset time	< 100 ms	
Operating time	< 125 ms	
Time delay	0.2 – 60 s	1% or ± 25 ms

3.1.3.7.1. Notes for testing

Normally in the EuroProt+ devices the trip contacts are assigned to the Trip Logic function block, and not to the protection function blocks. Because of this, the testing personnel must make sure that the Trip Logic is switched on ('Operation' parameter is set to other than 'Off') before starting the testing, otherwise there will be no physical trip on the relay.

The function is based on the power measurement of the Line Measurement function block. This must be taken into consideration when the device has a separate CT for measurements, because with it, the over-power protection function will use that CT as well.

3.1.4. Directional under-power protection function

3.1.4.1. Application

The directional under-power protection function can be applied mainly to protect any elements of the electric power system, mainly generators, if the active and/or reactive power has to be limited in respect of the allowed minimum power.

3.1.4.2. Mode of operation

The inputs of the function are the Fourier basic harmonic components of the three phase currents and those of the three phase voltages.

Based on the measured voltages and currents, the block calculates the three-phase active and reactive power (point S in Figure 1-1) and compares the P-Q coordinates with the defined characteristics on the power plane. The characteristic is defined as a line laying on the point S_s and perpendicular to the direction of S_s . The S_s point is defined by the "Start power" magnitude and the "Direction angle". The under-power function operates if the angle of the S- S_s vector related to the directional line is above 90 degrees or below -90 degrees, i.e. if the point S is on the "Operate" side of the P-Q plane.

At operation, the "Start power" value is increased by a hysteresis value.

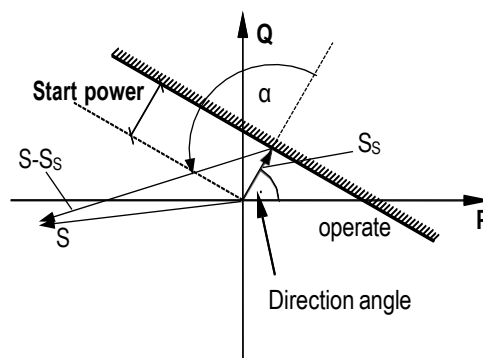


Figure 1-1 The directional under-power decision

3.1.4.3. Structure of the directional under-power protection algorithm

Figure 1-2 shows the structure of the directional under-power protection (DUP32) algorithm.

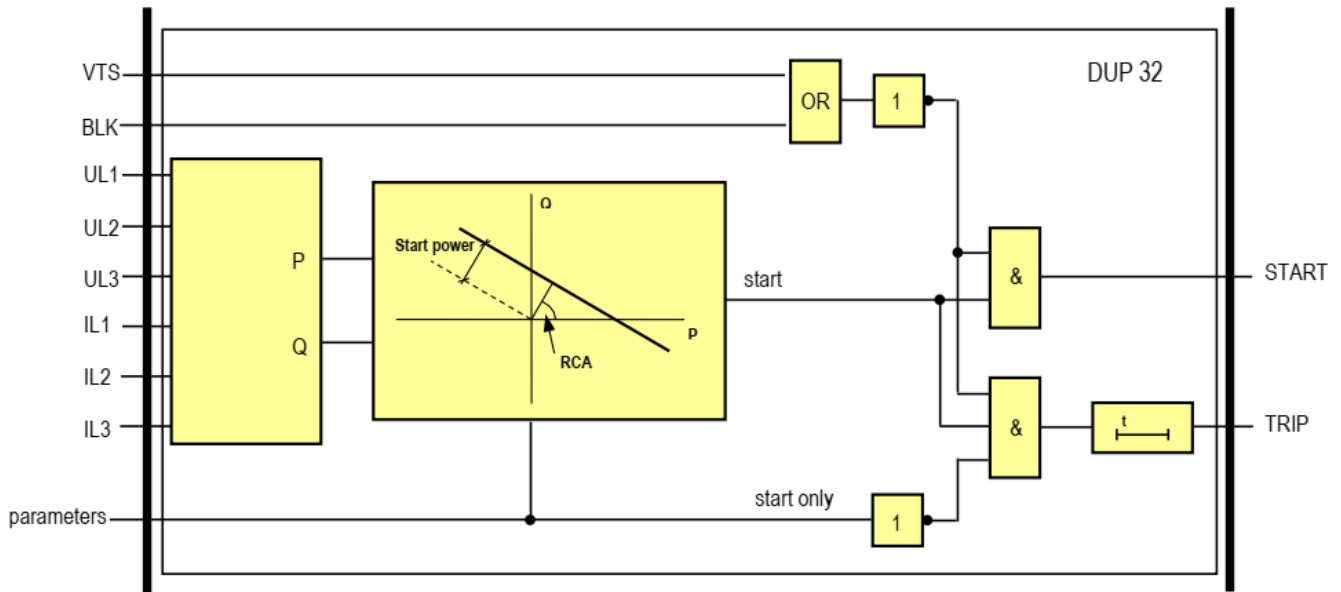


Figure 1-2 Structure of the directional under-power protection algorithm

The **inputs** are

- the RMS value of the fundamental Fourier component of the three phase currents (IL1, IL2, IL3),
- the RMS value of the fundamental Fourier component of the three phase voltages (UL1, UL2, UL3),
- parameters,
- status signals.

The function can be enabled or disabled (BLK input signal). The status signal of the VTS (voltage transformer supervision) function can also disable the directional operation.

The **outputs** are

- the binary output status signals.

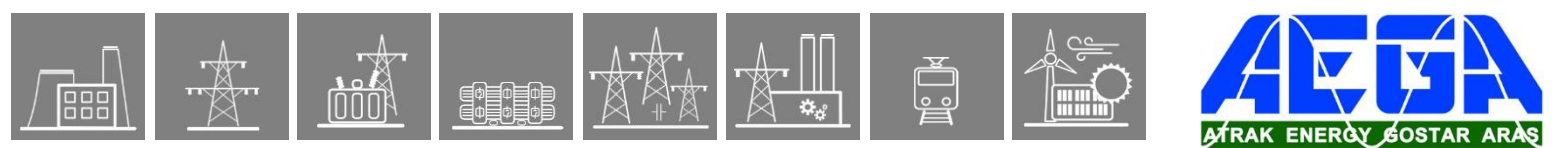
The **software modules** of the directional under-power protection function are described in the following chapters.

3.1.4.3.1. P-Q calculation

Based on the RMS values of the fundamental Fourier component of the three phase currents and of the three phase voltages, this module calculates the three-phase active and reactive power values.

The **input signals** are the RMS values of the fundamental Fourier components of the three phase currents and three phase voltages.

The **internal output signals** are the calculated three-phase active and reactive power values.



3.1.4.3.2. Directional decision

This module decides if, on the power plane, the calculated complex power is closer to the origin than the corresponding point of the characteristic line, i.e. if the point S is on the “Operate” side of the P-Q plane. The operation of this function is explained in Figure 1-1.

The **internal input signals** are the calculated active and reactive power values.

The **internal output signal** is the start signal of the function.

3.1.4.3.3. The decision logic

This part of the function block combines status signals to make a decision to start. Additionally to the directional decision, for the operation, the function must not be blocked by the general “Block” signal, and may not be blocked by the signal “Block for VTS” of the voltage transformer supervision function.

If the parameter setting requires also a trip signal (Start Signal Only = 0), then the measurement of the definite time delay is started. The expiry of this timer results in a trip command.

3.1.4.4. Directional under-power protection function overview

The function block of the directional under-power protection function is shown on the figure below. This block shows all binary input and output status signals that are applicable in the graphic equation editor.

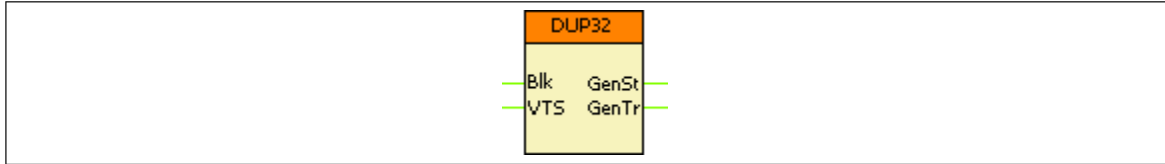


Figure 2-1 The function block of the directional under-power protection function

3.1.4.4.1. Settings

3.1.4.4.1.1. Parameters

Table 2-1 Parameters of the under-power protection function

TITLE	DIM	RANGE	STEP	DEFAULT	EXPLANATION
Operation	-	Off, On	-	Off	Enabling the function
Start Signal Only	-	FALSE, TRUE	-	FALSE	Selection: start signal only or both start signal and trip command
Direction Angle	deg	-179 – 180	1	0	Angle which belongs to Start power
Start Power	%	1.0 – 200.0	0.1	10.0	Start power of the function
Time Delay	msec	200 – 60000	1	200	Definite time delay of the trip command

3.1.4.4.2. Function I/O

This section describes briefly the analogue and digital inputs and outputs of the function block.

3.1.4.4.2.1. Binary output signals (graphed input statuses)

The binary output status signals of the under-power protection function can be found in the following table. **Parts** written in **bold** are seen on the function block in the logic editor.

Table 2-2 The binary output status signals of the directional under-power protection function

BINARY STATUS SIGNAL	TITLE	EXPLANATION
DUP32_ GenSt _Grl_	General Start	General start signal of the function
DUP32_ GenTr _Grl_	General Trip	Trip command of the function

3.1.4.4.3. Technical data

Table 2-6 Technical data of the directional under-power protection function

FUNCTION	VALUE	ACCURACY
P,Q measurement	$I > 10\% I_n^*$	< 5%
P,Q meas with CT1500	$I > 5\% I_n^*$	< 5%
Direction angle	$-179 - + 180^\circ^*$	< 5%
	* = Angle btw. U&I: $-70^\circ - +70^\circ$	
Reset ratio	1.05	
Reset time	< 100 ms	
Operating time	< 125 ms	
Time delay	0.2 – 60 s	1% or ± 25 ms

3.1.4.4.3.1. Notes for testing

Normally in the EuroProt+ devices the trip contacts are assigned to the Trip Logic function block, and not to the protection function blocks. Because of this, the testing personnel must make sure that the Trip Logic is switched on ('Operation' parameter is set to other than 'Off') before starting the testing, otherwise there will be no physical trip on the relay.

The function is based on the power measurement of the Line Measurement function block. This must be taken into consideration when the device has a separate CT for measurements, because with it, the under-power protection function will use that CT as well.

3.1.5.1.2. Standard dependent time characteristics

Operating characteristics:

$$t(G) = TMS \left[\frac{k}{\left(\frac{G}{G_s}\right)^\alpha - 1} + c \right] \text{ when } G > G_s$$

where
 t(G)(seconds) theoretical operate time with constant value of G,
 k, c constants characterizing the selected curve (in seconds),
 α constant characterizing the selected curve (no dimension),
 G measured value of the characteristic quantity, Fourier base harmonic of the negative sequence current (INFour),
 G_s preset value of the characteristic quantity (TOC46_StCurr_IPar_, Start current),
 TMS preset time multiplier (no dimension).

	IEC ref		k _r	c	α
1	A	IEC Inv	0,14	0	0,02
2	B	IEC VeryInv	13,5	0	1
3	C	IEC ExtInv	80	0	2
4		IEC LongInv	120	0	1
5		ANSI Inv	0,0086	0,0185	0,02
6	D	ANSI ModInv	0,0515	0,1140	0,02
7	E	ANSI VeryInv	19,61	0,491	2
8	F	ANSI ExtInv	28,2	0,1217	2
9		ANSI LongInv	0,086	0,185	0,02
10		ANSI LongVeryInv	28,55	0,712	2
11		ANSI LongExtInv	64,07	0,250	2

Table 1-1 The constants of the standard dependent time characteristics

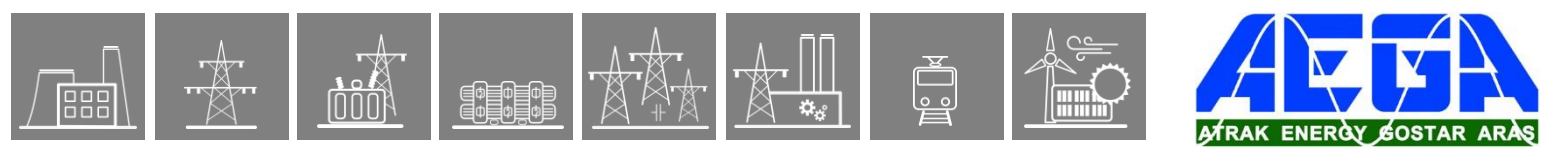
The end of the effective range of the dependent time characteristics (G_D) is:

$$G_D = 20 * G_s$$

Above this value the theoretical operating time is definite:

$$t(G) = TMS \left[\frac{k}{\left(\frac{G_D}{G_s}\right)^\alpha - 1} + c \right] \text{ when } G > G_D = 20 * G_s$$

The inverse characteristic is valid above G_T = 1,1 * G_s. Above this value the function is guaranteed to operate.



Resetting characteristics:

$$t_r(G) = TMS \left[\frac{k_r}{1 - \left(\frac{G}{G_s}\right)^\alpha} \right] \text{ when } G < G_s$$

where
 $t_r(G)$ (seconds) theoretical reset time with constant value of G,
 k_r constants characterizing the selected curve (in seconds),
 α constant characterizing the selected curve (no dimension),
 G measured value of the characteristic quantity, Fourier base harmonic of the phase current,
 G_s preset starting value of the characteristic quantity (TOC51_StCurr_IPar_, Start current),
 TMS preset time multiplier (no dimension).

	IEC ref		k_r	α
1	A	IEC Inv	Resetting after fix time delay, according to preset parameter	
2	B	IEC VeryInv		
3	C	IEC ExtInv	TOC46_Reset_TPar_	
4		IEC LongInv	"Reset delay"	
5		ANSI Inv	0,46	2
6	D	ANSI ModInv	4,85	2
7	E	ANSI VeryInv	21,6	2
8	F	ANSI ExtInv	29,1	2
9		ANSI LongInv	4,6	2
10		ANSI LongVeryInv	13,46	2
11		ANSI LongExtInv	30	2

Table 1-2 The resetting constants of the standard dependent time characteristics

The inverse type characteristics are also combined with a minimum time delay, the value of which is set by user parameter TOC46_MinDel_TPar_ (Min. Time Delay).

3.1.5.2. Structure of the negative sequence overcurrent protection algorithm

Fig.1-1 shows the structure of the negative sequence overcurrent protection (TOC46) algorithm.

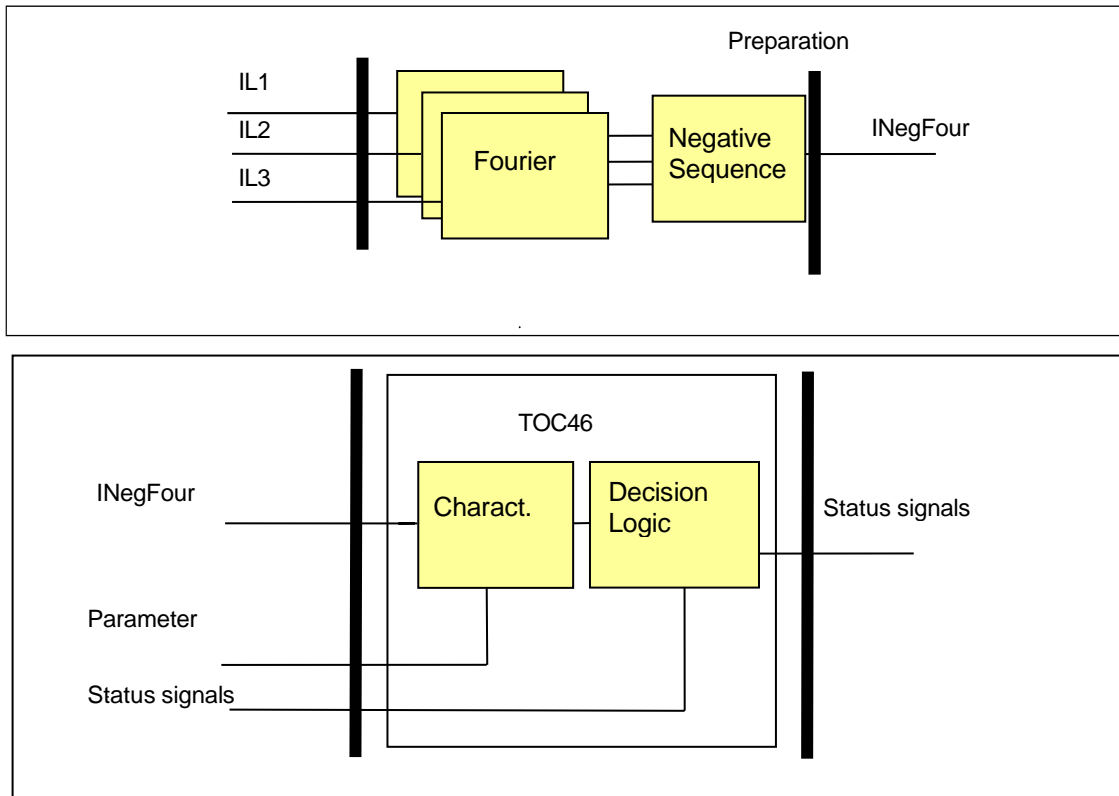


Figure 1-1 Structure of the negative sequence overcurrent protection algorithm

For the preparation (not part of the TOC46 function):

The **inputs** are

- the sampled values of the three phase currents (IL1, IL2, IL3),

The **output** is

- the RMS value of the fundamental Fourier components of the negative sequence component of the phase currents.

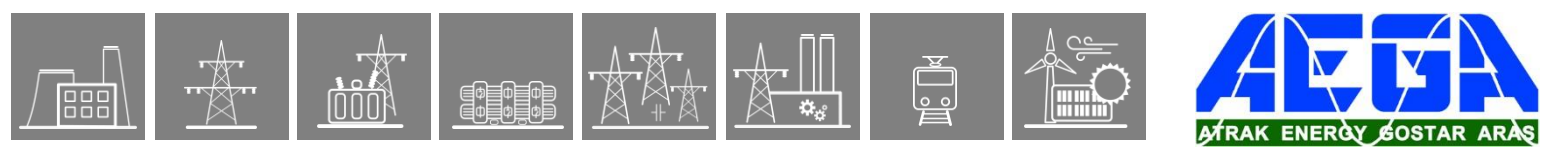
For the TOC46 function:

The **inputs** are

- the RMS value of the fundamental Fourier component of the negative sequence component of the phase currents,
- parameters,
- status signals.

The **outputs** are

- the binary output status signals.



The **software modules** applied in the negative sequence overcurrent protection function are:

Fourier calculations

These modules calculate the basic Fourier current components of the phase currents.

Negative sequence

This module calculates the basic Fourier current components of the negative sequence current, based on the Fourier components of the phase currents.

Characteristics

This module calculates the required time delay based on the Fourier components of the negative sequence current.

Decision logic

The decision logic module combines the status signals to generate the trip command of the function.

The following description explains the details of the individual components.

3.1.5.3. The Fourier calculation (Fourier)

These modules calculate the basic Fourier current components of the phase currents individually. These modules belong to the preparatory phase.

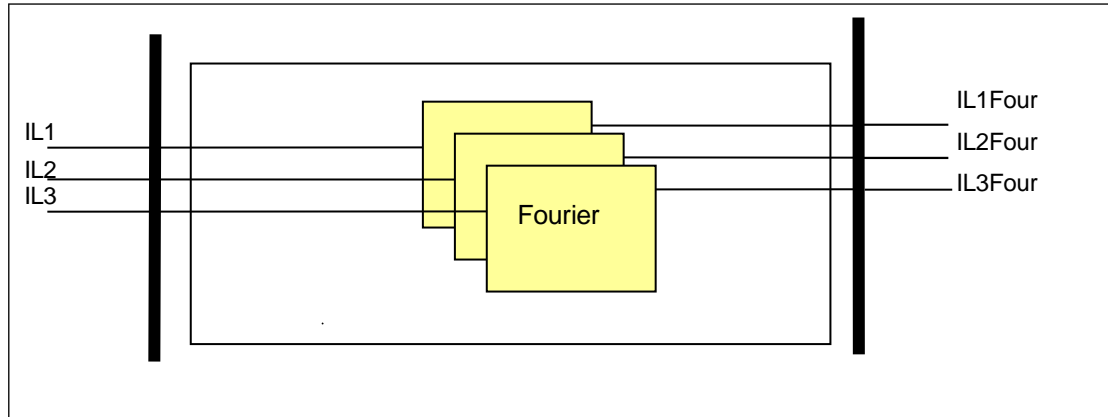
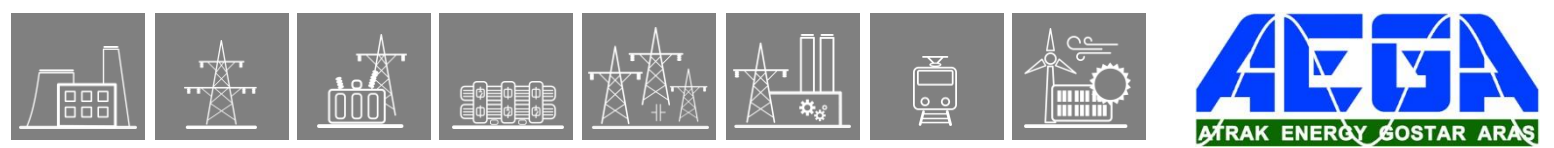


Figure 1-2 Schema of the Fourier calculation

The **inputs** are the sampled values of:
The three phase currents of the primary side (IL1, IL2, IL3)

The **outputs** are the basic Fourier components of the analyzed currents (IL1Four, IL2Four, IL3Four).



3.1.5.4. The negative phase sequence calculation (Negative sequence)

This module calculates the negative phase sequence components based on the Fourier components of the phase currents. This module belongs to the preparatory phase.

The **inputs** are the basic Fourier components of the phase currents (IL1Four, IL2Four, IL3Four).

The **output** is the basic Fourier component of the negative sequence current component (INegFour).

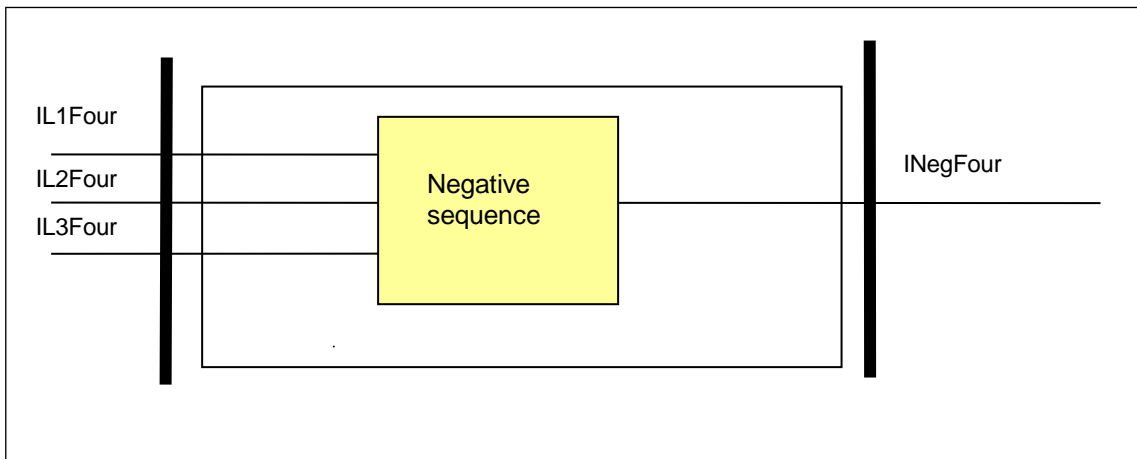


Figure 1-3 Schema of the negative sequence component calculation

3.1.5.5. The definite time and the inverse type characteristics (Characteristics)

This module calculates the required time delay based on the Fourier components of the negative sequence current. The formulas applied are described in Chapter 1.1.

The **input** is the basic Fourier component of the negative sequence current (INegFour) and parameters.

The **outputs** are the internal status signals of the function. These indicate the started state and the generated trip command if the time delay determined by the characteristics expired.

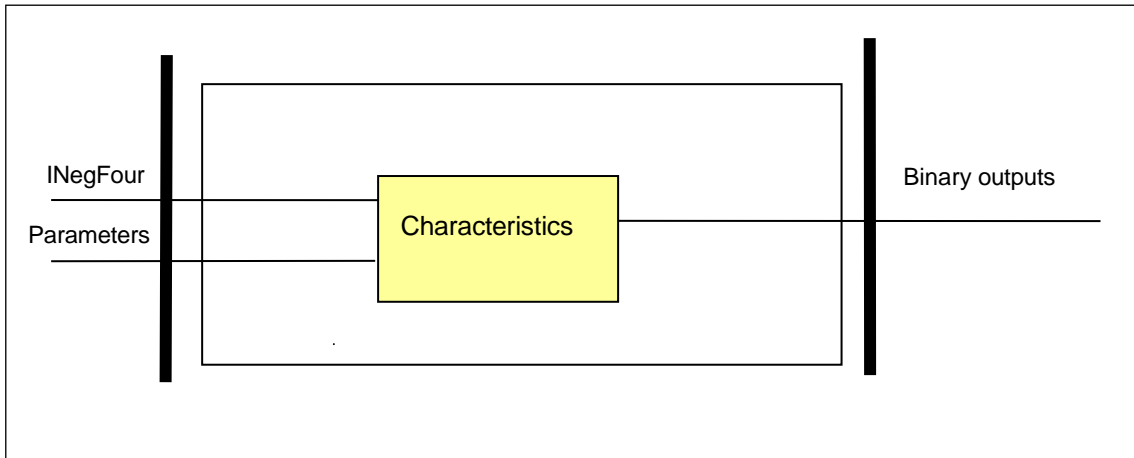


Figure 1-4 Schema of the characteristic calculation

Enumerated parameter

Parameter name	Title	Selection range	Default
Parameter for type selection			
TOC46_Oper_EPar_	Operation	Off, DefinitTime, IEC Inv, IEC VeryInv, IEC ExtInv, IEC LongInv, ANSI Inv, ANSI ModInv, ANSI VeryInv, ANSI ExtInv, ANSI LongInv, ANSI LongVeryInv, ANSI LongExtInv	Off

Table 1-3 The enumerated parameters of the negative sequence overcurrent protection function

Integer parameter

Parameter name	Title	Unit	Min	Max	Step	Default
Starting current parameter:						
TOC46_StCurr_IPar_	Start Current	%	10	1000	1	50

Table 1-4 The integer parameters of the negative sequence overcurrent protection function

Float parameter

Parameter name	Title	Unit	Min	Max	Step	Default
Time multiplier of the inverse characteristics (OC module)						
TOC46_Multip_FPar_	Time Multiplier		0.05	15	0.01	1.0

**Valid for inverse type characteristics*

Table 1-5 The Float parameter of the negative sequence overcurrent protection

Timer parameters

Parameter name	Title	Unit	Min	Max	Step	Default
Minimal time delay for the inverse characteristics:						
TOC46_MinDel_TPar_	Min Time Delay*	msec	40	60000	1	100
Definite time delay:						
TOC46_DefDel_TPar_	Definite Time Delay**	msec	40	60000	1	100
Reset time delay for the inverse characteristics:						
TOC46_Reset_TPar_	Reset Time*	msec	60	60000	1	100

**Valid for inverse type characteristics*

***Valid for definite type characteristics only*

Table 1-6 The timer parameters of the characteristics calculation module

The **binary output status signals** of the of the characteristics calculation module are listed in Table 1-7.

Binary output signals	Signal title	Explanation
TOC46_St_Grl_	Start Neg	Starting of the function
TOC46_Tr_Grl_	Trip Neg	Trip command of the function

Table 1-7 The binary output status signals of the characteristics calculation module

3.1.5.6. The decision logic (Decision logic)

The decision logic module combines the binary status signals to generate the trip command of the function.

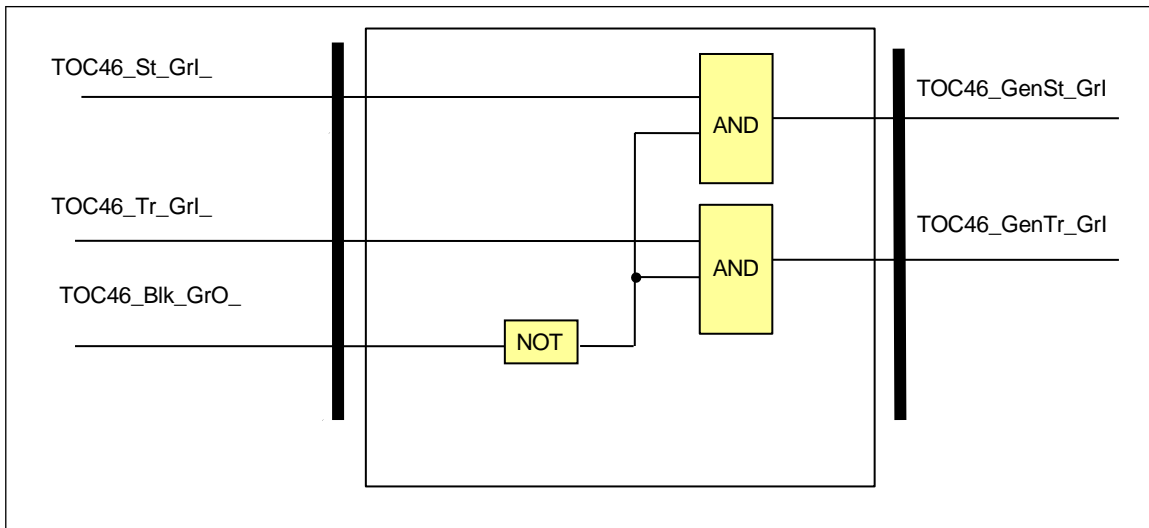


Figure 1-5 The logic scheme of the negative sequence overcurrent protection function

Binary status signals	Signal title	Explanation
TOC46_St_Grl_	Start	Starting of the function
TOC46_Tr_Grl_	Trip	Trip command of the function

Table 1-8 The binary status signals of the decision logic

Binary input status signal

The negative sequence overcurrent protection function has a binary input signal, which serves the purpose of disabling the function. **The conditions of disabling are defined by the user, applying the graphic equation editor.**

Binary input status signal	Explanation
TOC46_BlK_GrO_	Output status of a graphic equation defined by the user to disable the negative sequence overcurrent protection function.

Table 1-9 The binary input signal of the negative sequence overcurrent protection function

Binary output signals	Signal title	Explanation
TOC46_GenSt_Grl_	General Start	General starting of the function
TOC46_GenTr_Grl_	General Trip	General trip command of the function

Table 1-10 The binary output status signals of the negative sequence overcurrent protection function

3.1.5.7. Technical summary

3.1.5.7.1. Technical data

Function	Value	Accuracy
Operating accuracy	$10 \leq G_s [\%] \leq 200$	< 2 %
Operate time accuracy		$\pm 5\%$ or ± 15 ms, whichever is greater
Reset ratio	0,95	
Reset time * Dependent time charact. Definite time charact.	approx. 60 ms	<2 % or ± 35 ms, whichever is greater
Transient overreach		< 2 %
Pickup time at $2 \cdot G_s$	<40 ms	
Overshot time Dependent time charact. Definite time charact.	25 ms 45 ms	
Influence of time varying value of the input current (IEC 60255-151)		< 4 %

Measured with signal contacts

Table 1-11 Technical data of the negative sequence overcurrent protection function

3.1.5.7.2. The parameters

The parameters are summarized in Chapter 3.1.1.5.

3.1.5.7.3. Binary output status signals

The **binary output status signals** of the negative sequence overcurrent protection function are listed in Table 1-12.

Binary output signals	Signal title	Explanation
TOC46_GenSt_Grl_	General Start	General starting of the function
TOC46_GenTr_Grl_	General Trip	General trip command of the function

Table 1-12 The binary output status signals of the negative sequence overcurrent protection function

3.1.5.7.4. The binary input status signals

Binary input signals

The negative sequence overcurrent protection function has a binary input signal, which serves the purpose of disabling the function. **The conditions of disabling are defined by the user, applying the graphic equation editor.**

Binary input signal	Explanation
TOC46_Blkc_GrO_	Output status of a graphic equation defined by the user to disable the negative sequence overcurrent protection function.

Table 1-13 The binary input signal of the negative sequence overcurrent protection function

3.1.5.7.5. The function block

The function block of the negative sequence overcurrent protection function is shown in Figure 1-6. This block shows all binary input and output status signals that are applicable in the graphic equation editor.

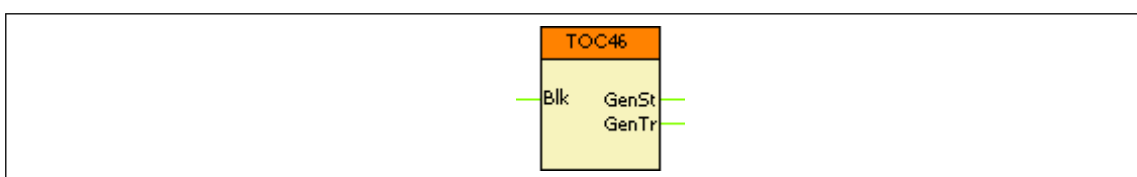
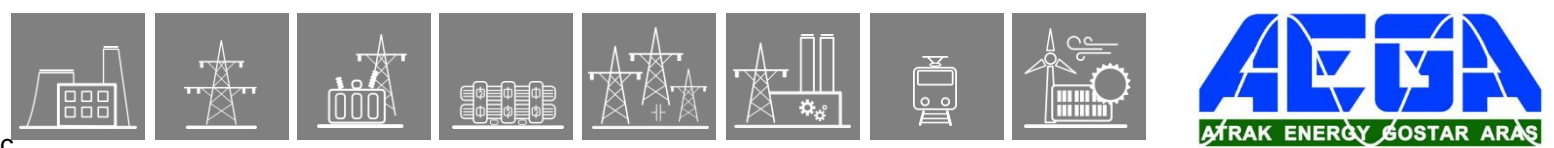


Figure 1-6 The function block of the negative sequence overcurrent protection function



The **software modules** of the broken conductor function:

Fourier calculations

These modules calculate the RMS values of the basic Fourier current components of the phase currents individually (not part of the PBC46 function).

Positive and negative sequence

This module calculates the basic Fourier current components of the positive and negative sequence currents, based on the Fourier components of the phase currents (not part of the PBC46 function).

Analogue signal processing

This module processes the positive and negative phase sequence current components to prepare the signals for the decision.

Decision logic

The decision logic module combines the status signals to generate the starting signal and the trip command of the function.

The following description explains the details of the individual components.

3.1.6.1.3. The Fourier calculation (Fourier)

These modules calculate the RMS values of the fundamental Fourier components of the phase currents individually. They are not part of the PBC46 function; they belong to the preparatory phase.

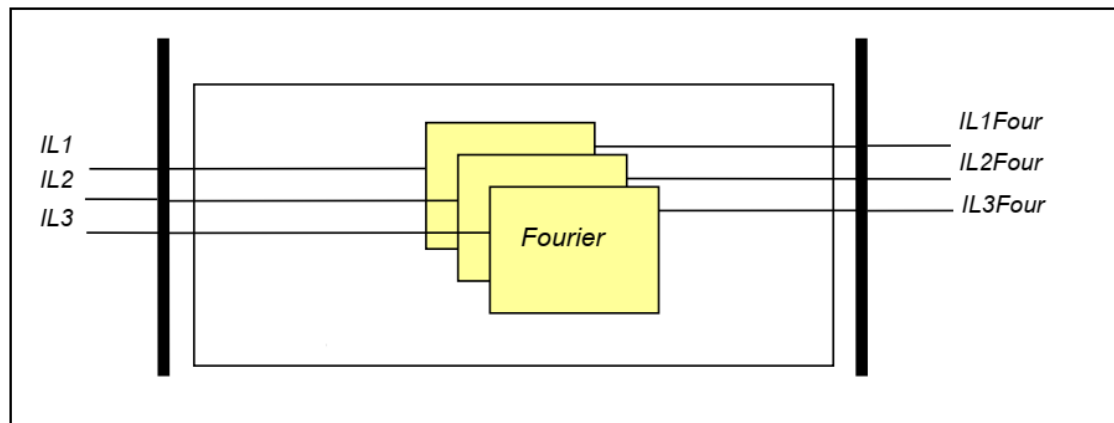


Figure 1-2 Principal scheme of the Fourier calculation

The **inputs** are the sampled values of the three phase currents (IL1, IL2, IL3)

The **outputs** are the RMS values of the fundamental Fourier components of the phase currents (IL1Four, IL2Four, IL3Four).

3.1.6.1.4. The positive and negative phase sequence calculation (Positive and negative sequence)

This module calculates the positive and negative phase sequence components based on the Fourier components of the phase currents. This module belongs to the preparatory phase.

The **inputs** are the basic Fourier components of the phase currents (IL1Four, IL2Four, IL3Four).

The **outputs** are the basic Fourier components of the positive (IPosFour) and negative sequence current component (INegFour).

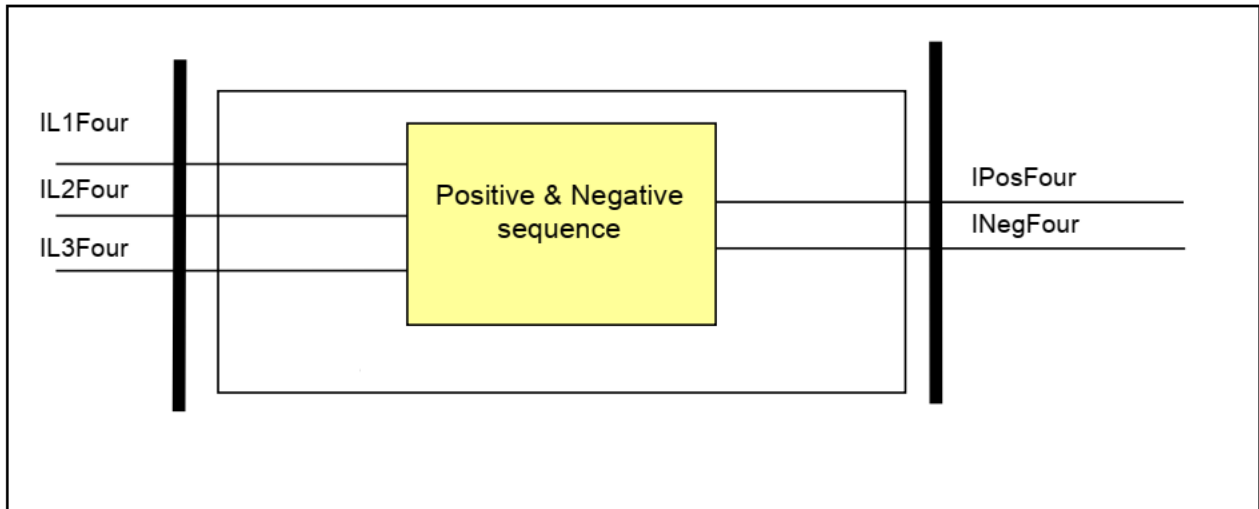


Figure 1-3 Schema of the sequence component calculation

3.1.6.1.5. The Analogue signal processing

This module processes the Fourier components of the phase currents to prepare the signals for the decision.

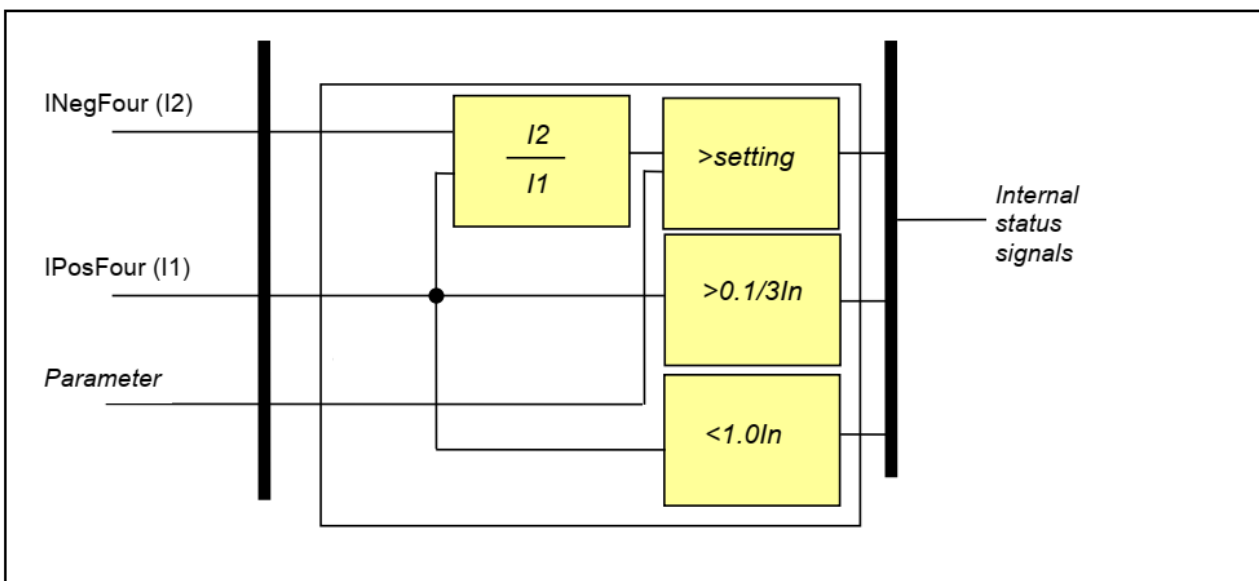
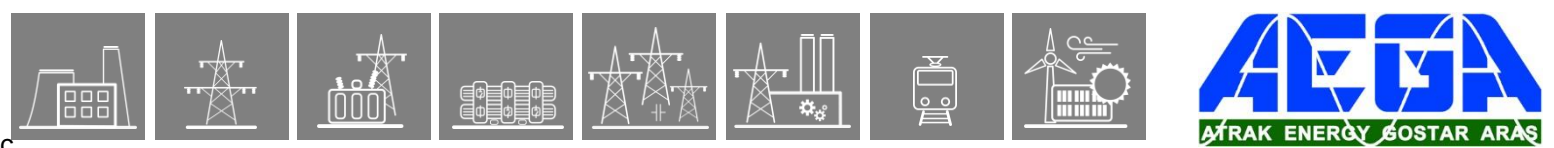


Figure 1-4 Principal scheme of the analogue signal processing



The **inputs** are the basic Fourier component of the positive (IPosFour) and negative sequence currents (INegFour) and parameters.

The **outputs** are internal binary signals:

- $I2/I1 >$ the ratio of negative sequence current (I2) to positive sequence current (I1) as a percentage is above the limit defined by the preset parameter PBC46_StCurr_IPar_ (Start current);
- $I1 > 0.1/3I_n$ the positive phase sequence current (I1) value of the fundamental Fourier components of the phase currents is sufficient for evaluation;
- $I1 < 1.0I_n$ the positive phase sequence current (I1) value of the fundamental Fourier components of the phase currents is sufficient for evaluation.

3.1.6.1.6. The decision logic (Decision logic)

The decision logic module combines the status signals, binary and enumerated parameters to generate the trip command of the function.

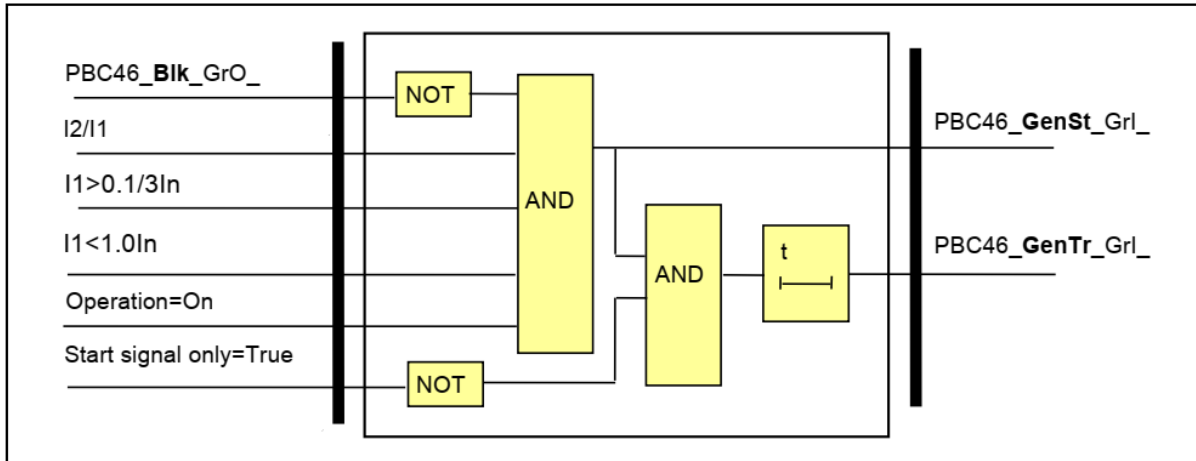


Figure 1-5 The logic scheme of the broken conductor function

The **inputs** are internal binary signals:

- $I2/I1 >$ the ratio of positive phase sequence current (I1) to negative phase sequence current (I2) as a percentage is above the limit defined by the preset parameter "Start current";
- $I1 > 0.1/3I_n$ the positive phase sequence current (I1) value of the fundamental Fourier components of the phase currents is sufficient for evaluation;
- $I1 < 1.0I_n$ the positive phase sequence current (I1) value of the fundamental Fourier components of the phase currents is sufficient for evaluation.

3.1.6.2. Broken conductor protection function overview

The graphic appearance of the function block of the broken conductor protection function is shown below. The block shows all binary input and output status signals which are applicable in the graphic equation editor.

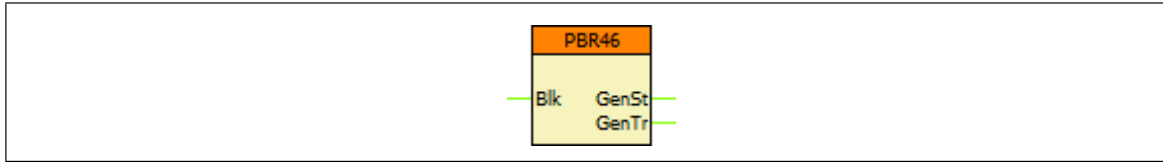


Figure 2-1 Graphic appearance of the function block of the broken conductor protection function

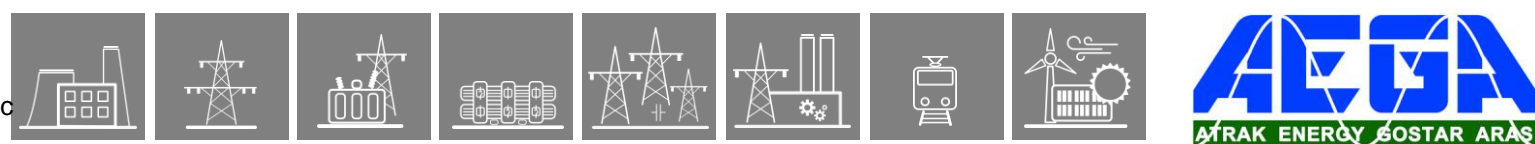
3.1.6.3. Settings

3.1.6.3.1. Parameters

The available parameters are listed below in order of their appearance in the *parameters* menu. If the setting range of a parameter should be extended, contact Protecta Support.

Table 2-1 Parameters of the broken conductor protection function

TITLE	DIM	RANGE	STEP	DEFAULT	EXPLANATION
Operation	-	Off, On	-	Off	Enabling the function
Start Signal Only	-	FALSE, TRUE	-	FALSE	When checked, the function provides start signal, but no trip signal.
Start Current	%	10 – 90	1	50	I2/I1 ratio setting
Time Delay	msec	100 – 60000	1	1000	Time delay (including the algorithm time, see Chapter 2.4 for more explanation)



3.1.6.5. Technical data

Table 2-6 Technical data of the broken conductor protection function

FUNCTION	VALUE	ACCURACY
Pick-up starting accuracy		< 2 %
Reset ratio	0,95	
Min. operate time	70 ms	

3.1.6.6. Notes for testing

Normally in the EuroProt+ devices the trip contacts are assigned to the Trip Logic function block, and not to the protection function blocks. Because of this, the testing personnel must make sure that the Trip Logic is switched on ('Operation' parameter is set to other than 'Off') before starting the tests, otherwise there will be no physical trip on the relay.

Note that the time delay parameter incorporates the algorithm time as well, so the time delay **does not mean the time difference between the appearance of the start and trip signals** of the function. In other words: it is not the delay between the detection of the fault and the trip that follows it. This should be taken into consideration when checking the disturbance records.

Instead the time delay parameter defines the elapsed time from the appearance of the faulty state to the trip. Because of this, while testing, the delay measurement should start *from the moment of the fault injection* until the trip signal.

3.1.7. Negative sequence definite time overvoltage protection function

3.1.7.1. Application

The definite time negative sequence overvoltage protection function measures three voltages and calculates the negative sequence component. If the negative sequence component is above the level defined by parameter setting, then a start signal is generated.

3.1.7.2. Mode of operation

The function generates a start signal. The general start signal is generated if the negative sequence voltage component is above the level defined by parameter setting value.

The function generates a trip command only if the time delay has expired and the parameter selection requires a trip command as well.

The function can be disabled by parameter setting or by an external signal, edited by the graphic logic editor.

3.1.7.3. Operating characteristics

$$t(G) = t_{OP} \text{ when } G > G_s$$

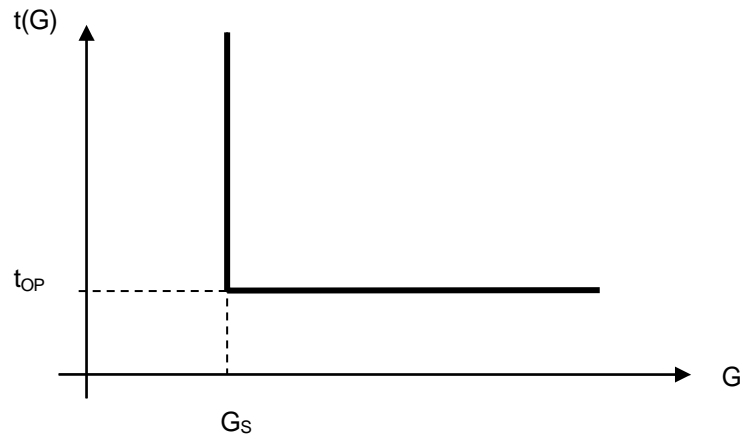


Figure 1-1 Negative sequence overvoltage definite time characteristic

Where

- t_{OP} (seconds) theoretical operating time if G > G_s, fix, according to the parameter setting,
- G measured value of the characteristic quantity, Fourier base harmonic of the negative sequence voltage component,
- G_s setting value of the characteristic quantity.

3.1.7.4. Structure of the negative sequence definite time overvoltage protection algorithm

Fig.1-2 shows the structure of the negative sequence definite time overvoltage protection (TOV47) algorithm.

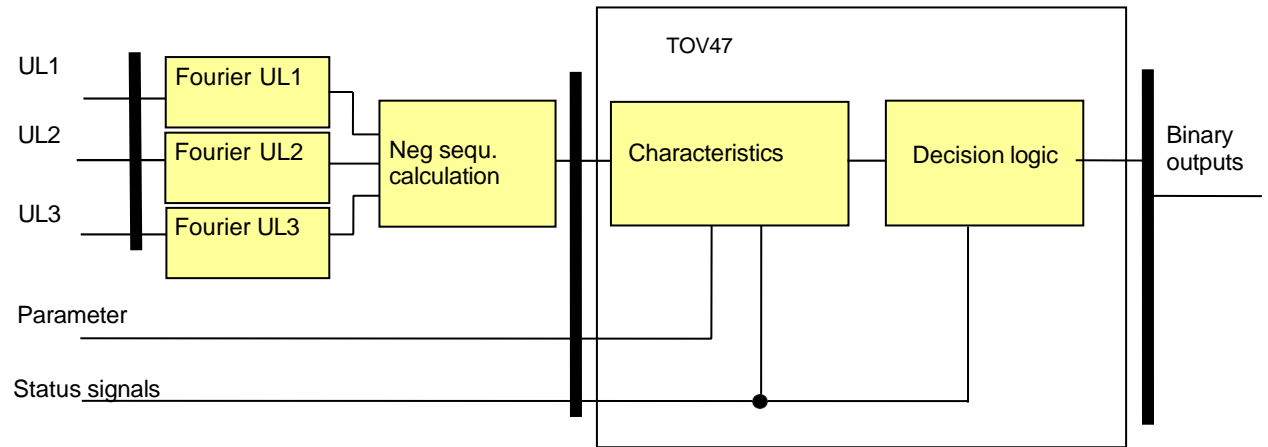


Figure 1-2 Structure of the negative sequence definite time overvoltage protection algorithm

The **inputs** are

- the RMS value of the negative sequence fundamental Fourier component, calculated using the sampled three phase voltages,
- parameters,
- status signals.

The **outputs** are

- the binary output status signals.

The **software modules** of the definite time overvoltage protection function:

Fourier calculations

These modules calculate the basic Fourier components of the phase voltages individually (not part of the TOV47 function).

Neg sequ. calculation

This module calculates the negative sequence basic Fourier component (not part of the TOV47 function).

Characteristics

This module calculates the required time delay based on the Fourier components of the negative sequence voltage component.

Decision logic

The decision logic module combines the status signals to generate the trip command of the function.

The following description explains the details of the individual components.

C

3.1.7.5. The Fourier calculation (Fourier)

These modules calculate the basic Fourier components of the phase voltages individually. They are not part of the TOV47 function; they belong to the preparatory phase.

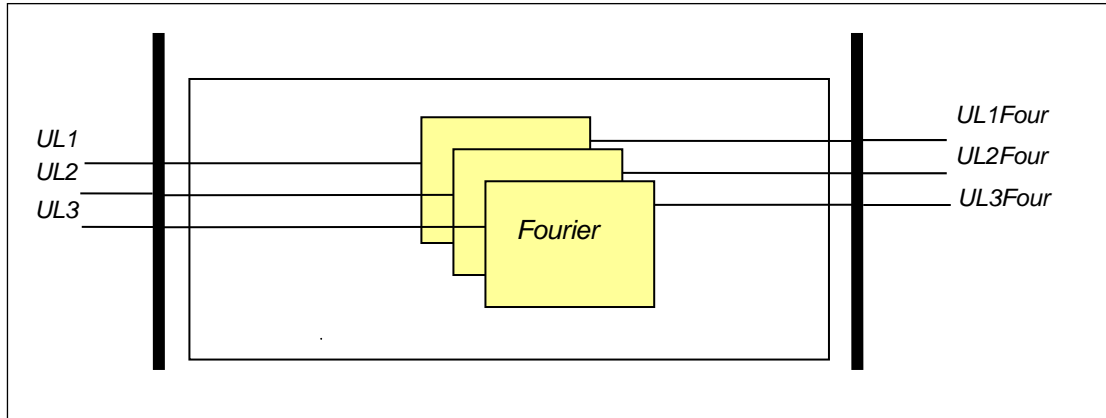


Figure 1-3 Schema of the Fourier calculation

The **inputs** are the sampled values of the three phase voltages (UL1, UL2, UL3)

The **outputs** are the RMS values of the basic Fourier components of the analyzed voltages (UL1Four, UL2Four, UL3Four).

3.1.7.6. The negative sequence component calculation (Neg sequ. Calculation)

This module calculates the negative sequent basic Fourier component. This is not part of the TOV47 function; it belongs to the preparatory phase.

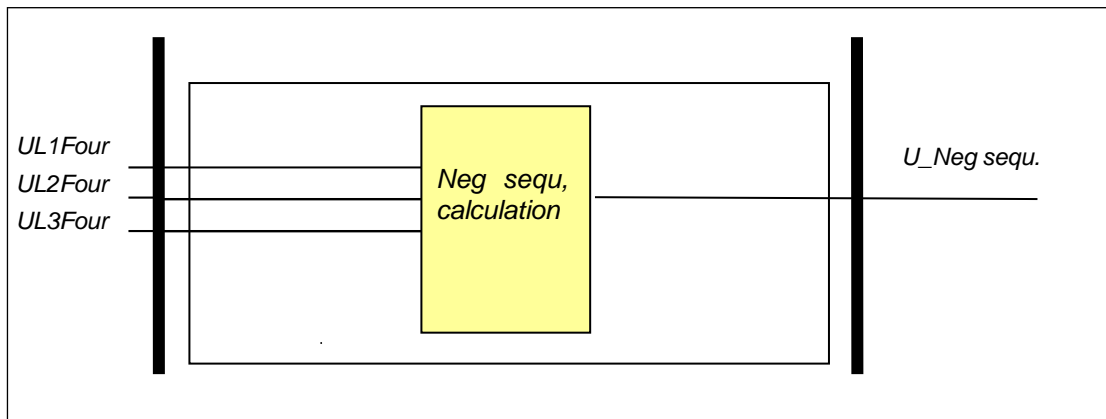


Figure 1-4 Schema of the negative sequence component calculation

The **inputs** are the RMS values of the basic Fourier components of the analyzed voltages (UL1Four, UL2Four, UL3Four).

The **output** is the RMS value of the negative sequence basic Fourier component voltage (U_Neg sequ.).

C

3.1.7.7. The definite time characteristics (Characteristics)

This module decides the stating of the function based on the negative sequence Fourier component voltage and it counts the time delay. The time delay is defined by the parameter setting, if the voltage is above the threshold value.

The **inputs** are the RMS value of the negative sequence basic Fourier component (U_neg sequ.) and parameters.

The internal **outputs** are the status signals. These indicate the started state and the generated trip command if the time delay determined by the setting is expired.

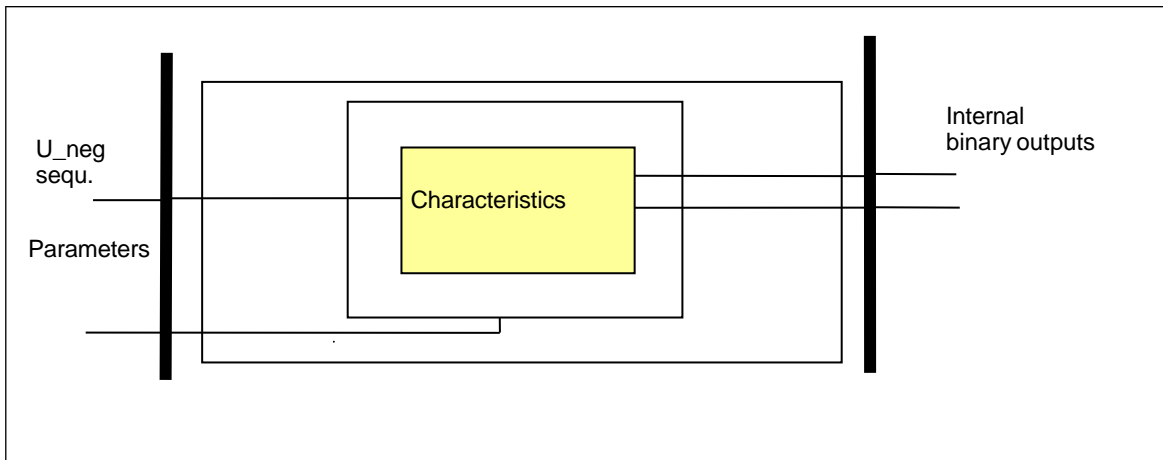


Figure 1-5 Schema of the definite time characteristic calculation

Integer parameter

Parameter name	Title	Unit	Min	Max	Step	Default
Voltage level setting. If the voltage is above the setting value, the function generates a start signal.						
TOV47_StVol_IPar_	Start Voltage	%	2	40	1	30

Table 1-1 Integer parameters of the negative sequence overvoltage protection function

Timer parameter

Parameter name	Title	Unit	Min	Max	Step	Default
Time delay of the overvoltage protection function.						
TOV47_Delay_TPar_	Time Delay	ms	50	60000	1	100
-						

Table 1-2 The timer parameter of the negative sequence overvoltage protection function

The internal **binary output status signals** of the three-phase definite time overvoltage protection function are listed in [Table 1-3](#) below.

Binary output signals	Signal title	Explanation
Start	Start	Starting of the function
Trip	Trip	Trip command of the function

Table 1-3 The internal binary output status signals of the negative sequence definite time overvoltage protection function

3.1.7.8. The decision logic (Decision logic)

The decision logic module combines the internal status signals, Boolean and binary parameters to generate the trip command of the function.

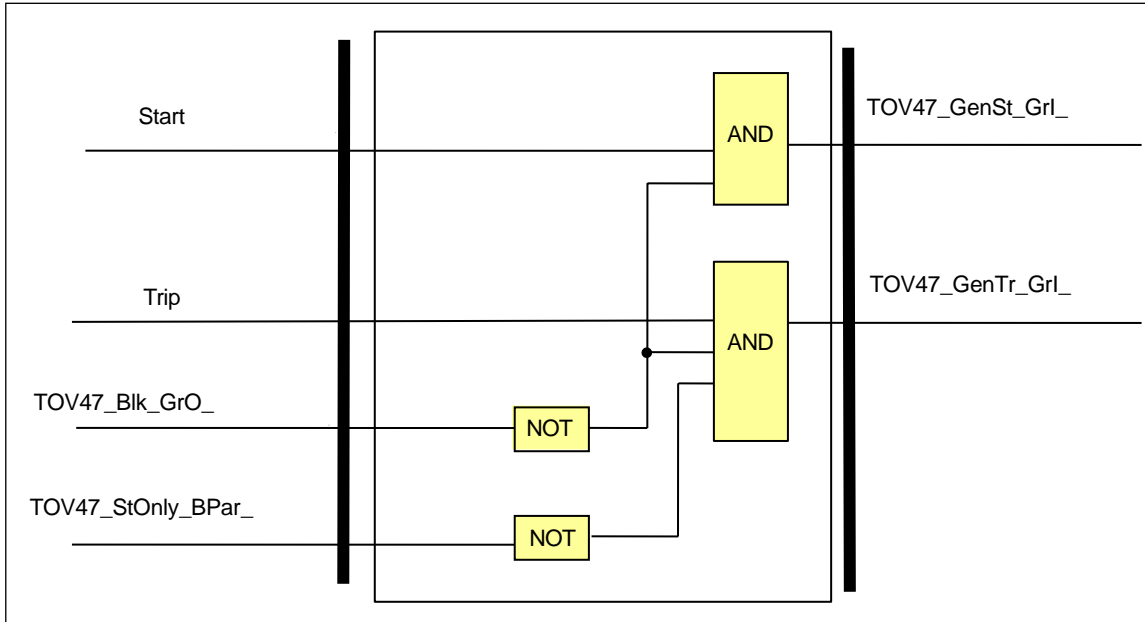


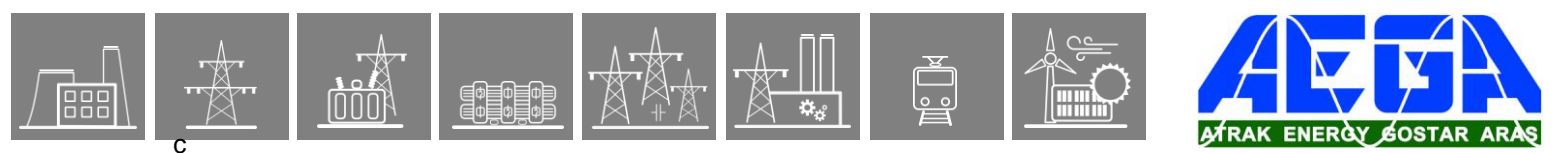
Figure 1-6 The decision logic scheme of the negative sequence definite time overvoltage protection function

Boolean parameter

Parameter name	Title	Default
Enabling start signal only:		
TOV47_StOnly_BPar_	Start Signal Only	FALSE

Table 1-4 The Boolean parameter of the negative sequence definite time overvoltage protection function

The negative sequence overvoltage protection function has a binary input signal, which serves the purpose of disabling the function. **The conditions of disabling are defined by the user, applying the graphic equation editor.**



C

Binary input status signal

Binary status signal	Explanation
TOV47_Blk_GrO_	Output status of a graphic editor defined by the user to disable the negative sequence definite time overvoltage protection function.

Table 1-5 The binary input signal of the negative sequence definite time overvoltage protection function

Binary output status signals

Binary status signal	Title	Explanation
TOV47_GenSt_GrI_	General Start	General start signal
TOV47_GenTr_GrI_	General Trip	General trip command

Table 1-6 The binary output status signals of the negative sequence definite time overvoltage protection function

3.1.7.9. Technical summary

3.1.7.9.1. Technical data

Function	Value	Accuracy
Pick-up starting accuracy		< ± 0,5 %
Blocking voltage		< ± 1,5 %
Reset time U> → Un U> → 0	60 ms 50 ms	
Operate time accuracy		< ± 20 ms
Drop-off ratio		± 0.5 %
Minimum operate time	50 ms	

Table 1-7 Technical data of the negative sequence definite time overvoltage protection function

3.1.7.9.2. The parameters

The parameters are summarized in Chapter 1.7 [Table 1-1](#), [Table 1-2](#), and in Chapter 1.8 [Table 1-4](#).

3.1.7.9.3.

3.1.7.9.4. The status signals

The status signals are summarized in Chapter 1.8 [Table 1-5](#) and [Table 1-6](#).

3.1.7.9.5. The function block

The function block of the overvoltage protection function is shown in [Figure 1-7](#). This block shows all binary input and output status signals that are applicable in the graphic logic editor.

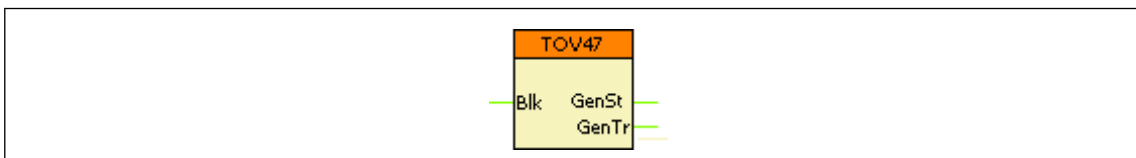
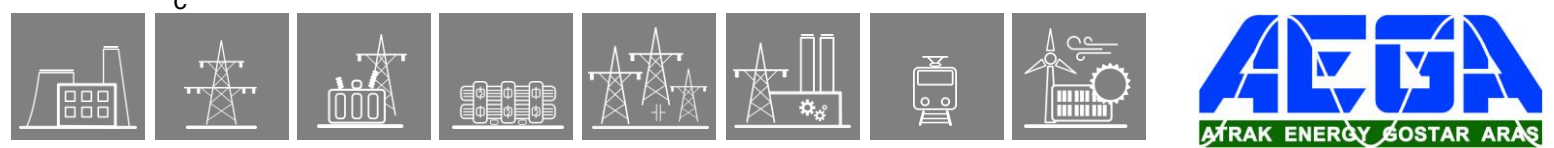


Figure 1-7 The function block of the negative sequence definite time overvoltage protection function



3.1.8. Line thermal protection function

Basically, line thermal protection measures the three sampled phase currents. RMS values are calculated and the temperature calculation is based on the highest RMS value of the phase currents.

The temperature calculation is based on the step-by-step solution of the thermal differential equation. This method yields “overtemperature”, meaning the temperature above the ambient temperature (of the environment). Accordingly, the temperature of the protected object is the sum of the calculated “overtemperature” and the ambient temperature.

The ambient temperature can be measured using e.g. a temperature probe generating electric analog signals proportional to the temperature. In the absence of such measurement, the temperature of the environment can be set using the dedicated parameter TTR49L_Amb_IPar_ (Ambient Temperature). The selection between parameter value and direct measurement is made by setting the binary parameter TTR49L_Sens_BPar_ (Temperature sensor). (Special HW input module is required.)

If the calculated temperature (calculated “overtemperature”+ambient temperature) is above the threshold values, status signals are generated:

TTR49L_Alm_IPar_ (Alarm temperature) TTR49L_Trip_IPar_ (Trip temperature)
 TTR49L_Unl_IPar_ (Unlock temperature)

For correct setting, the following values must be measured and set as parameters:

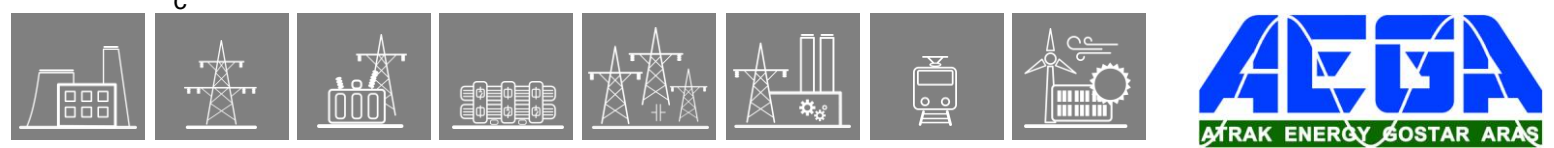
TTR49L_Inom_IPar_ (Rated load current: continuous current applied for the measurement)
 TTR49L_Max_IPar_ (Rated temperature: the steady state temperature at rated load current)
 TTR49L_Ref_IPar_ (Base Temperature: the temperature of the environment during the measurement of the rated values)
 TTR49L_pT_IPar_ (time constant: measured heating/cooling time constant of the exponential temperature function)

When energizing the protection device, the algorithm permits the definition of the starting temperature as the initial value of the calculated temperature:

TTR49L_Str_IPar_ (Startup Temp.: Initial temperature above the temperature of the environment as compared to the rated temperature above the base temperature)

The problem of metal elements (the protected line) exposed to the sun is that they are overheated as compared to the „ambient” temperature even without a heating current; furthermore, they are cooled mostly by the wind and the heat transfer coefficient is highly dependent on the effects of the wind. As the overhead lines are located in different geographical environments along the tens of kilometers of the route, the effects of the sun and the wind cannot be considered in detail. The best approximation is to measure the temperature of a piece of overhead line without current but exposed to the same environmental conditions as the protected line itself.

The application of thermal protection of the overhead line is a better solution than a simple overcurrent-based protection because thermal protection “remembers” the preceding load states of the line and the setting of the thermal protection does not need so a high security margin between the permitted current and the permitted continuous thermal current of the line. In a broad range of load states and in a broad range of ambient temperatures this



3.1.8.1.2. The temperature-time function for constant current

The solution of the thermal differential equation for constant current is the temperature as the function of time. (The mathematical derivation of this equation is described in a separate document.)

$$\Theta(t) = \frac{I^2 R}{hA} \left(1 - e^{-\frac{t}{T}} \right) + \Theta_0 e^{-\frac{t}{T}} \quad (2)$$

Remember that the calculation of the measurable temperature is as follows:

Temperature(t) = $\Theta(t)$ + Temp_ambient

where

Temp_ambient is the ambient temperature.

In that separate document it is proven that some more easily measurable parameters can be introduced instead of the aforementioned ones. Thus, the general form of equation (2) is:

$$H(t) = \frac{\Theta(t)}{\Theta_n} = \frac{I^2}{I_n^2} \left(1 - e^{-\frac{t}{T}} \right) + \frac{\Theta_0}{\Theta_n} e^{-\frac{t}{T}} \quad (3)$$

where:

$H(t)$ is the „thermal level“ of the heated object, **this is the temperature as a percentage of the Θ_n reference temperature.** (This is a dimensionless quantity but it can also be expressed in a percentage form.)

Θ_0 is the starting temperature above the temperature of the environment

Θ_n is the reference temperature above the temperature of the environment, which can be measured in steady state, in case of a continuous I_n reference current.

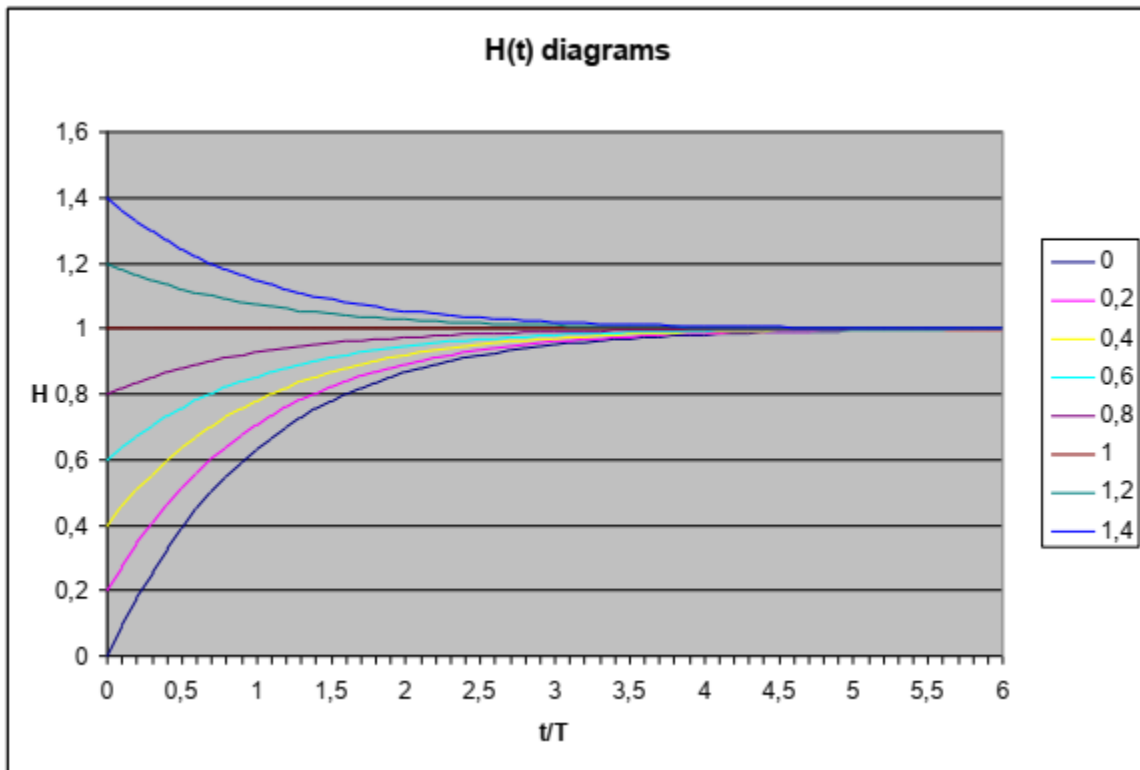
I_n is the reference current (can be considered as the nominal current of the heated object). If it flows continuously, then the reference temperature can be measured in steady state.

3.1.8.1.3. Formulas for checking the thermal protection functions

Equation (3) offers a general formula to check the operation of the thermal protection using constant current.

The changes of temperature over time, (above the temperature of the environment), described by equation (3), are plotted in the diagram below. Parameter is the starting

temperature related to the reference temperature $\frac{\Theta_o}{\Theta_n}$



For further tests, the time needed to reach a specific temperature value can be calculated based on equation (3). The derived formula with relative quantities is:

$$\frac{t}{T} = \ln \left(\frac{\frac{\Theta_s - \Theta_o}{\Theta_n - \Theta_n}}{\frac{\Theta_s - \Theta_{set}}{\Theta_n - \Theta_n}} \right) \quad (4)$$

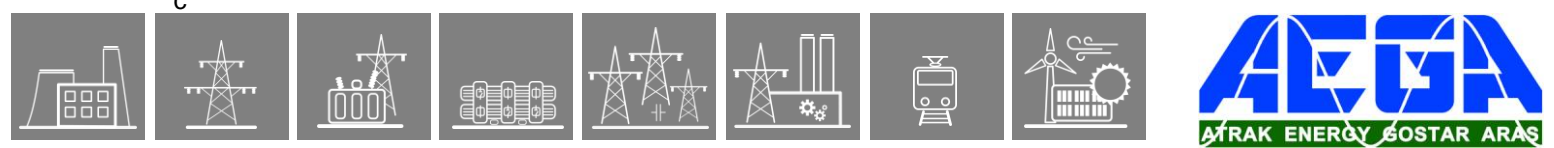
where:

$\Theta_s = \frac{I^2 \Theta_n}{I_n^2}$ is the steady state temperature in case of continuous I current,

Θ_{set} is the momentary temperature above the ambient temperature; the time to reach this is to be calculated,

Θ_o is the starting „overtemperature”,

Θ_n is the reference temperature above the temperature of the environment, which can be measured in steady state, in case of a continuous I_n reference current.



3.1.8.1.4. Numerical solution of the thermal differential equation

The formulas (2-5) above refer to a constant current and can be used to test the thermal protection. In reality, the RMS value of the current changes over time; consequently, differential equation (1) must be solved using a numerical method. The separate document explains the steps to obtain the calculation formula:

$$H_k = \frac{\Theta_k}{\Theta_n} = \left(1 - \frac{\Delta t}{T}\right) \frac{\Theta_{k-1}}{\Theta_n} + \frac{\Delta t}{T} \frac{I^2}{I_n^2} \quad (6)$$

where:

- Θ_k is the temperature (above the temperature of the environment) at the k-th calculation step;
- Θ_{k-1} is the temperature (above the temperature of the environment) one calculation step before.

(The line thermal protection is calculating the temperature based on the formula (6) above, the user of the thermal protection does not need to apply it.)

3.1.8.2. Structure of the line thermal protection

Fig.1-1 shows the structure of the line thermal protection (TTR49L) algorithm.

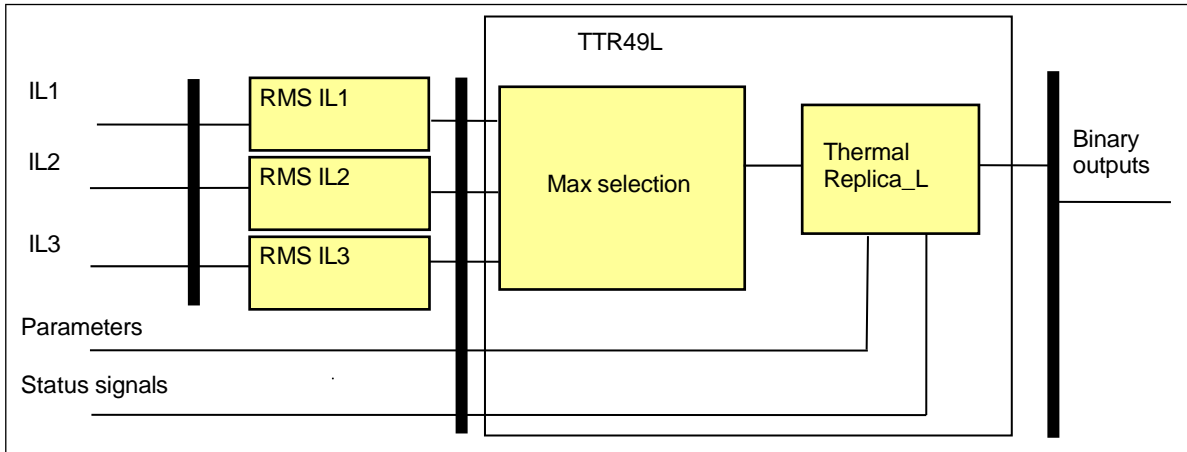


Figure 1-1 Structure of the line thermal protection algorithm

The **inputs** are the RMS values of three primary phase currents, parameters, status signals.

The **outputs** are the binary output status signals.

The **software modules** of the line thermal protection function:

RMS calculations

These modules calculate the RMS values of the phase currents individually. The sampling frequency of the calculations is 1 kHz; therefore, theoretically, the frequency components below 500Hz are considered correctly in the RMS values. This module is not part of the thermal function; it belongs to the preparatory phase.

Max selection

This module selects the maximal value of the RMS phase currents.

Thermal replica

This module solves the first order thermal differential equation using a simple step-by-step method and compares the calculated temperature to the values set by parameters.

The following description explains the details of the individual components.

3.1.8.3. RMS calculation (RMS)

These modules calculate the true RMS values of the phase currents individually. The sampling frequency of the calculations is 1 kHz; therefore, theoretically, the frequency components below 500Hz are considered correctly in the RMS values. This module is not part of the thermal function; it belongs to the preparatory phase.

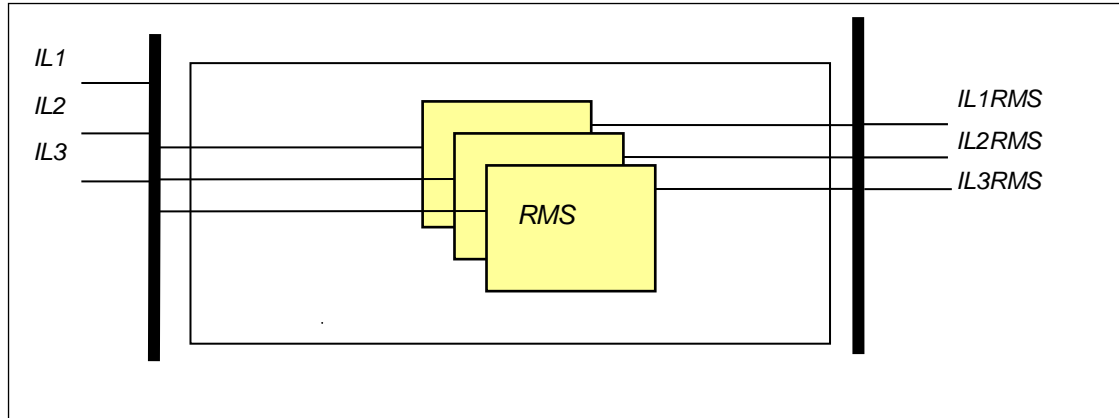


Figure 1-2 Principal scheme of the current RMS calculation

The **inputs** are the sampled values of the three phase currents (IL1, IL2, IL3)

The **outputs** are the RMS values of the analyzed currents (IL1RMS, IL2RMS, IL3RMS).

3.1.8.4. The maximum selection (Max selection)

This module selects the maximum of the three RMS values.

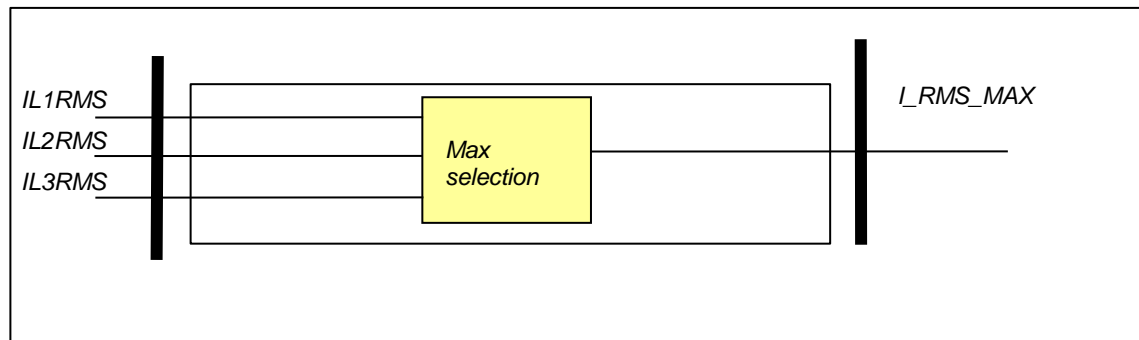
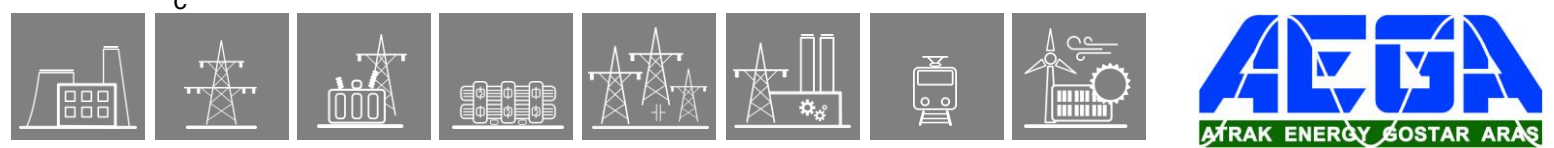


Figure 1-3 Principal scheme of the maximum selection

The **inputs** are the RMS values of the analyzed currents (IL1RMS, IL2RMS, IL3RMS). The

output is the selected maximum of the three RMS values.



3.1.8.5. The temperature calculation and decision (Thermal replic)

This module solves the first order thermal differential equation using a simple step-by-step method and compares the calculated temperature to the values set by parameters.

The **inputs** are

- The selected maximum of the three RMS values of the phase currents,
- The value proportional to the ambient temperature (this signal is optional, defined at parameter setting),
- Binary input status signals,

Parameters.

The **outputs** are the status signals. These indicate the generated trip command if the temperature is above the preset current value.

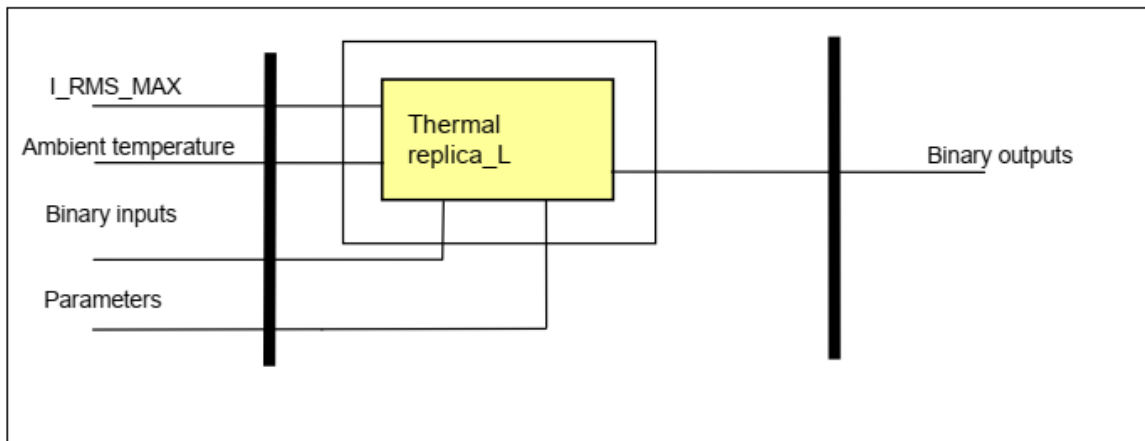


Figure 1-4 Principal scheme of the thermal replica calculation

Enumerated parameter

Parameter name	Title	Selection range	Default
Parameter for mode of operation			
TTR49L_Oper_EPar_	Operation	Off, Pulsed, Locked	Pulsed

Table 1-1 The enumerated parameters of the line thermal protection function

The meaning of the enumerated values is as follows:

- Off The function is switched off; no output status signals are generated;
- Pulsed The function generates a trip pulse if the calculated temperature exceeds the trip value
- Locked The function generates a trip signal if the calculated temperature exceeds the trip value. It resets only if the temperature cools below the "Unlock temperature".

Integer parameters

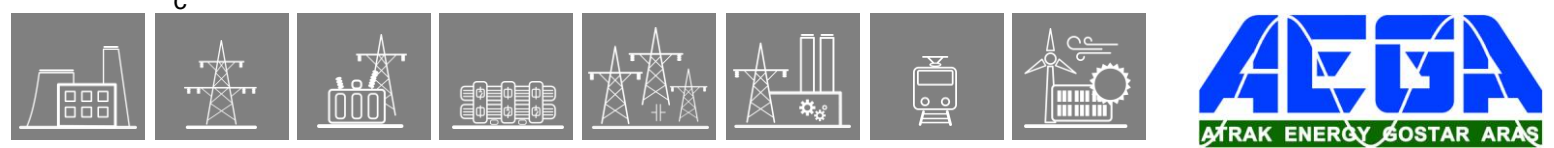
Parameter name	Title	Unit	Min	Max	Step	Default
Alarm Temperature						
TTR49L_Alm_IPar_	Alarm Temperature	deg	60	200	1	80
Trip Temperature						
TTR49L_Trip_IPar_	Trip Temperature	deg	60	200	1	100
Rated Temperature						
TTR49L_Max_IPar_	Rated Temperature	deg	60	200	1	100
Base Temperature						
TTR49L_Ref_IPar_	Base Temperature	deg	0	40	1	25
Unlock Temperature						
TTR49L_Unl_IPar_	Unlock Temperature	deg	20	200	1	60
Ambient Temperature						
TTR49L_Amb_IPar_	Ambient Temperature	deg	0	40	1	25
Startup Term.						
TTR49L_Str_IPar	Startup Term	%	0	60	1	0
Rated Load Current						
TTR49L_Inom_IPar_	Rated Load Current	%	20	150	1	100
Time constant						
TTR49L_pT_IPar_	Time Constant	min	1	999	1	10

Table 1-2 The integer parameters of the line thermal protection function

Boolean parameter

Boolean parameter	Signal title	Selection range	Default
Parameter for ambient temperature sensor application (Special HW input module is required)			
TTR49L_Sens_BPar_	Temperature Sensor	No, Yes	No

Table 1-3 The Boolean parameter of the line thermal protection function



The **binary output status signals** of the line thermal protection function are shown in [Table 1-4](#).

Binary output signals	Signal title	Explanation
TTR49L_Alm_Grl_	Alarm	Alarm signal of the line thermal protection function
TTR49L_GenTr_Grl_	General Trip	General trip signal of the line thermal protection function
TTR49L_Lock_Grl_	Reclose locked	Line reclose blocking signal of the line thermal protection function

Table 1-4 The binary output status signals of the line thermal protection function

Binary input status signals

The line thermal protection function has two binary input status signals. One of them serves to disable the function; the other one resets the accumulated heat. Resetting serves test purposes only, if the heating calculation needs to start at a clearly defined temperature. Using this signal, the testing engineer need not wait until the cooling reaches the required starting temperature of the subsequent heating test.

Both binary input status signals are defined by the user, applying the graphic equation editor.

The binary input status signals of the line thermal protection function are shown in [Table 1-5](#).

Binary input status signals	Title	Explanation
TTR49L_BlK_GrO_	Block	Output status of a graphic equation defined by the user to disable the line thermal protection function.
TTR49L_Reset_GrO_	Reset	Output status of a graphic equation defined by the user to reset the accumulated heat and set the temperature to the defined value for the subsequent heating test procedure.

Table 1-5 The binary input signals of the line thermal protection function

On-line measured value

On-line measured value	Explanation
TTR49L_Temp_OLM_	The calculated temperature.

Table 1-6 The on-line measured value of the line thermal protection function

3.1.8.6. Technical summary

3.1.8.6.1. Technical data

Function	Accuracy
Operate time at $I > 1.2 \cdot I_{trip}$	$< 3\%$ or $< + 20\text{ ms}$

Table 1-7 Technical data of the line thermal protection function

3.1.8.6.2. The parameters

The parameters are summarized in Chapter 1.5.

3.1.8.6.3. The binary input status signals

The line thermal replica protection function has a binary input signal that serves the purpose of disabling the function. **The conditions of disabling are defined by the user, applying the graphic equation editor.**

The other binary input signal serves the purpose of resetting the stored temperature (supports testing the function). **The conditions of resetting the temperature are defined by the user, applying the graphic equation editor.**

Binary input signal	Explanation
TTR49L_Blk_GrO_	Output status of a graphic equation defined by the user to disable the line thermal protection function.
TTR49L_Reset_GrO_	Output status of a graphic equation defined by the user to reset the accumulated heat and set the temperature to the defined value for the subsequent heating test procedure.

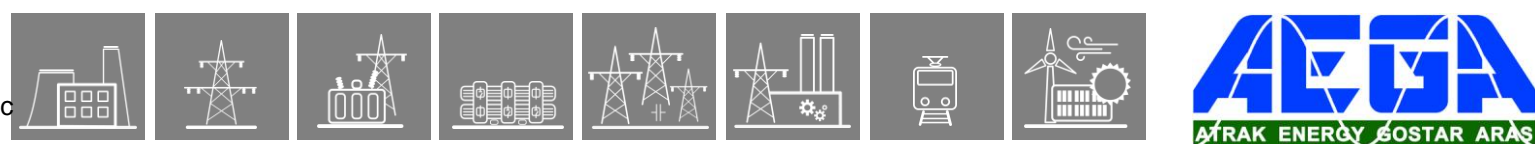
Table 1-8 The binary input signal of the line thermal protection function

3.1.8.6.4. Binary output status signals

The **binary output status signals** of the restricted earth-fault protection function are listed in Table 1-9.

Binary output signals	Signal title	Explanation
TTR49L_Alm_GrI_	Alarm	Alarm signal of the line thermal protection function
TTR49L_GenTr_GrI_	General Trip	General trip signal of the line thermal protection function
TTR49L_Lock_GrI_	Reclose locked	Line reclose blocking signal of the line thermal protection function

Table 1-9 The binary output status signals of the line thermal protection function



3.1.8.6.5. The function block

The function block of the line thermal_protection function is shown in [Figure 1-5](#). This block shows all binary input and output status signals that are applicable in the graphic equation editor.

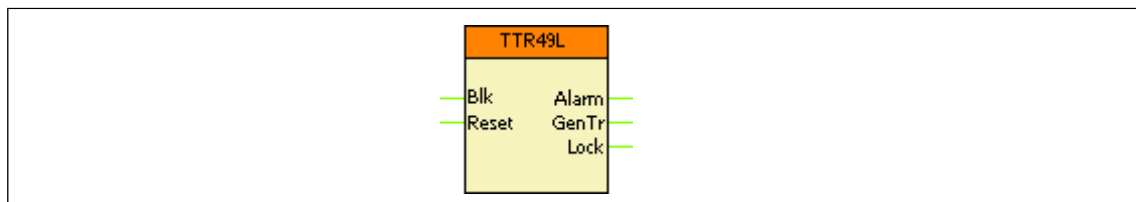
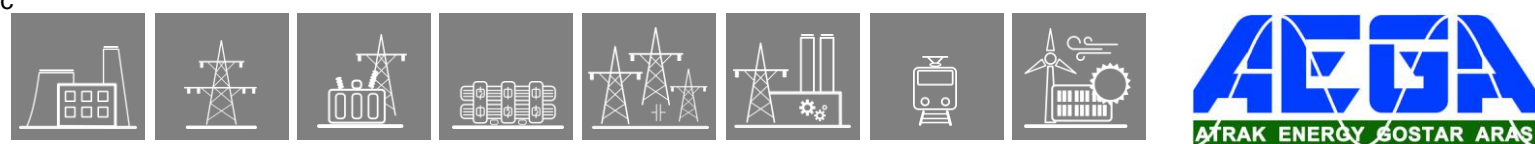


Figure 1-5 The function block of the line thermal protection function



3.1.9. Three-phase instantaneous Overcurrent Protection

3.1.9.1. Application

The instantaneous overcurrent protection function operates according to instantaneous characteristics, using the three sampled phase currents. The setting value is a parameter, and it can be doubled by graphic programming of the dedicated input binary signal.

The basic calculation can be based on peak value selection or on Fourier basic harmonic calculation, according to the parameter setting. When Fourier calculation is selected then the accuracy of the operation is high, the operation time however is above one period of the network frequency. If the operation is based on peak values, then fast sub-cycle operation can be expected, but the transient overreach can be high.

3.1.9.1.1. Operating Characteristics

$$t(I) = t_{OP} \text{ when } I > I_S$$

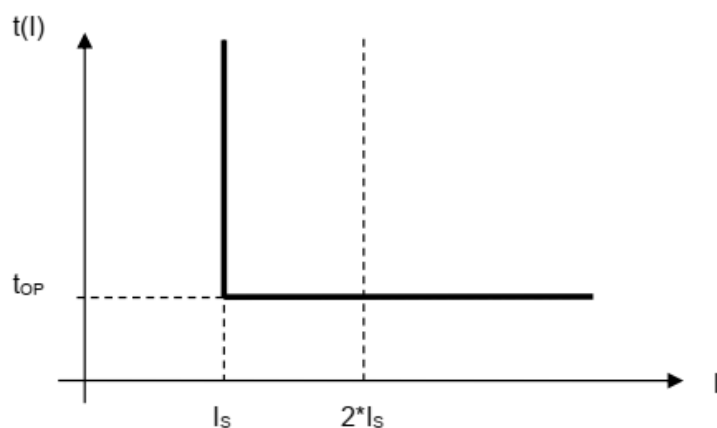


Figure 1-1 Overcurrent independent time characteristic

where:

- t_{OP} (sec.) theoretical operating time if $I > I_{GS}$ (without additional time delay),
- I measured value of the characteristic quantity, peak values or Fourier base harmonic of the phase currents,
- I_S setting value of the characteristic quantity (*Start current*)

3.1.9.1.2. Structure of the Protection Algorithm

Figure 1-2 shows the structure of the instantaneous overcurrent protection (IOC50) algorithm.

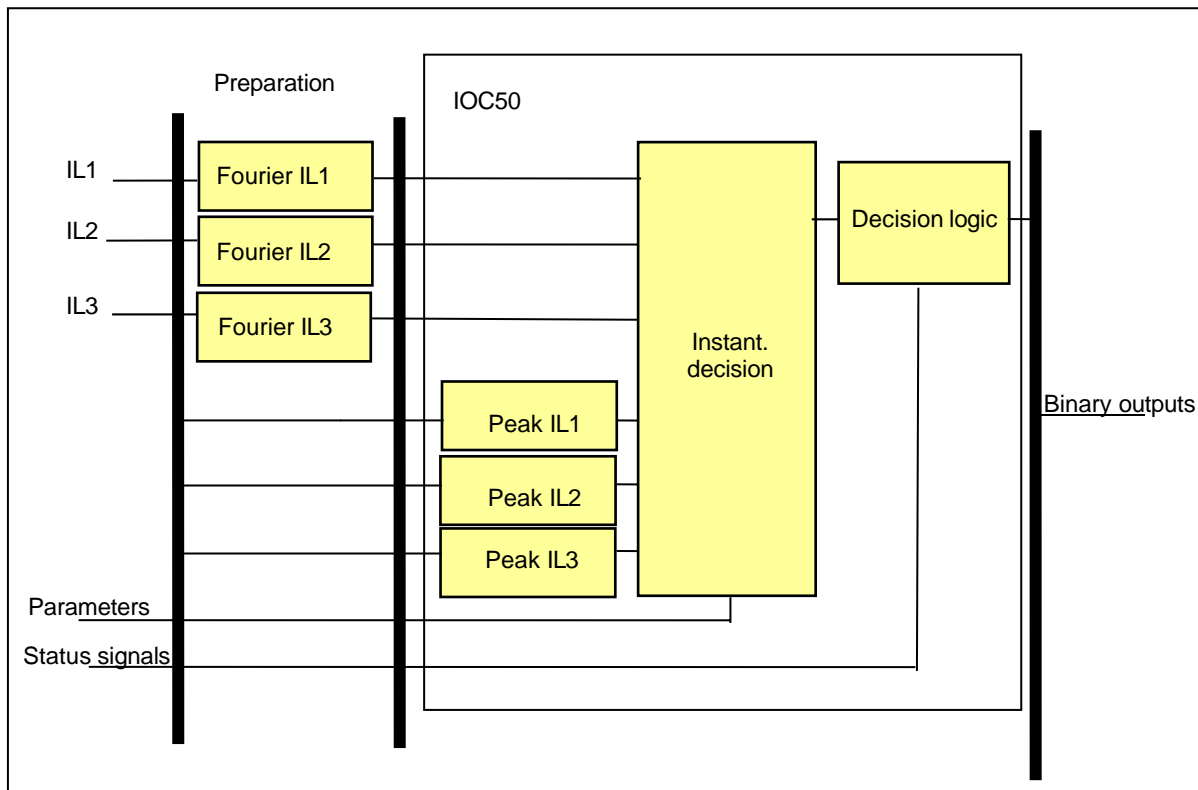


Figure 1-2 Structure of the instantaneous overcurrent protection algorithm

The **inputs** are

- the sampled values of three phase currents,
- the RMS values of the fundamental Fourier component of three phase currents,
- parameters,
- status signals.

The **outputs** are

- the binary output status signals.

The **software modules** of the three-phase instantaneous overcurrent protection function are:

Fourier calculations

These modules calculate the RMS values of the fundamental Fourier component of three phase currents individually (not part of the IOC50 function).

Peak selection

These modules select the peak values of the phase currents individually.

Instantaneous decision

This module compares the peak value or the Fourier basic harmonic components of the phase currents with the setting value.

Decision logic

The decision logic modules generate the trip command of the function.

3.1.9.1.3. The Fourier Calculation (Fourier)

The following description explains the details of the individual components.

These modules calculate the RMS values of the fundamental Fourier component of the three phase currents individually. They are not part of the IOC50 function; they belong to the preparatory phase.

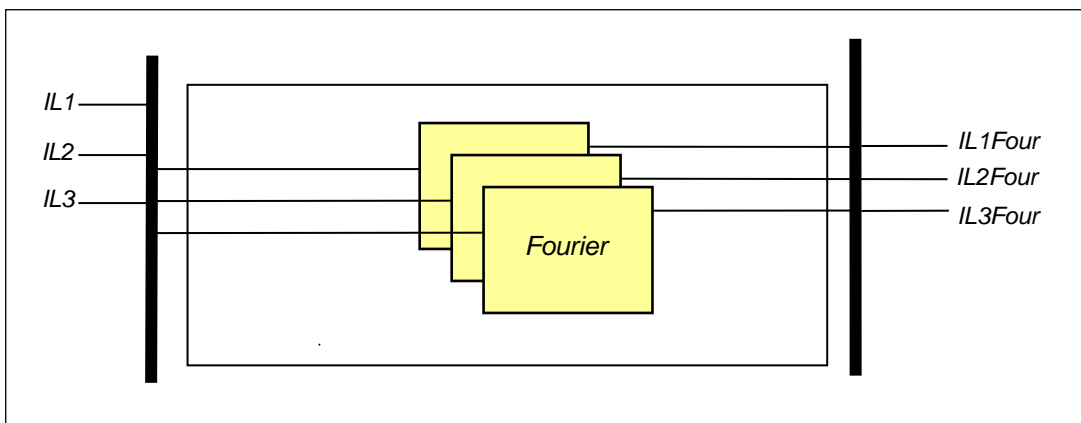


Figure 1-3 Principal scheme of the Fourier calculation

The **inputs** are the sampled values of the three phase currents (IL1, IL2, IL3).

The **outputs** are the RMS values of the fundamental Fourier component of three phase currents (IL1Four, IL2Four, IL3Four).

3.1.9.1.4. The Peak Selection (Peak selection)

These modules select the peak values of the phase currents individually.

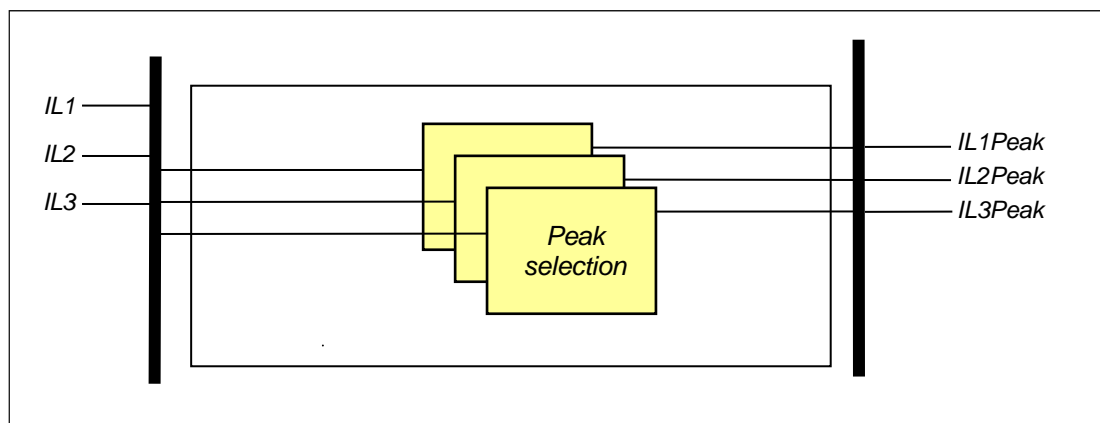


Figure 1-4 Principal scheme of the peak selection

The **inputs** are the sampled values of the three phase currents (IL1, IL2, IL3).

The **outputs** are the peak values of the analyzed currents (IL1Peak, IL2 Peak, IL3 Peak).

3.1.9.1.5. The Instantaneous Decision (Instantaneous decision)

This module generates trip commands for the phases without additional time delay based on the Fourier components of the phase currents or based on the peak values, if the detected values are above the current setting value.

The **inputs** are the RMS values of the fundamental Fourier component of three phase currents (IL1Four, IL2Four, IL3Four), the peak values (IL1Peak, IL2 Peak, IL3 Peak), parameters and status signals.

The **outputs** are the status signals of the three phases individually. These indicate the generated trip commands if the currents are above the current setting value.

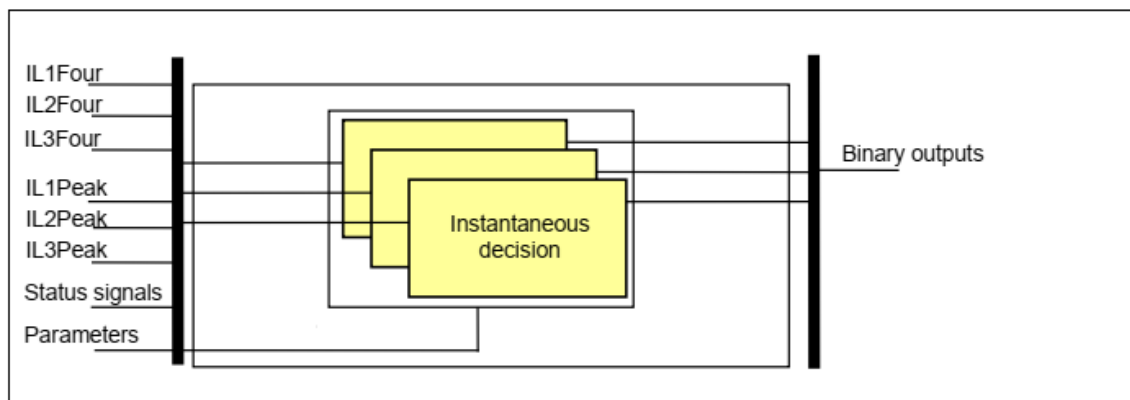
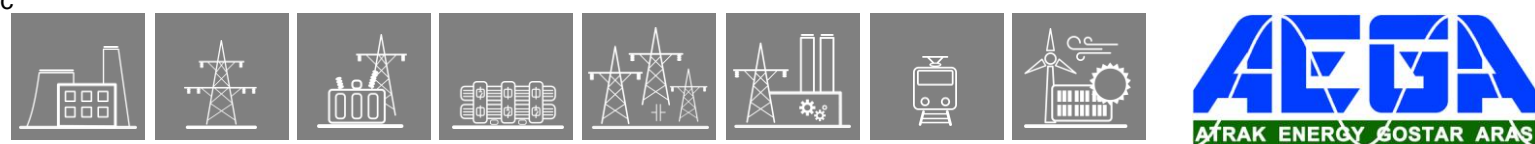


Figure 1-5 Principal scheme of the instantaneous characteristic calculation



Enumerated parameters

Table 1-1 The enumerated parameters of the instantaneous OC protection function

TITLE	DIM	RANGE	STEP	DEFAULT	EXPLANATION
Operation	-	Off, Peak value, Fundamental value	-	Off	Parameter for enabling the function and selection type.

Integer parameters

Table 1-2 The integer parameter of the instantaneous OC protection function

TITLE	DIM	RANGE	STEP	DEFAULT	EXPLANATION
Start Current	%	20 – 3000	1	200	Start setting of the function. If the current exceeds this value, the function picks up and trips after the minimum operation time of the relay (t_{OP}).

Binary status signals

The decision block of the instantaneous overcurrent protection function has binary input signals, which serve the purpose of blocking the function and doubling the setting value of the function. **The conditions are defined by the user, applying the graphic equation editor.**

Table 1-3 The binary input signals for the decision block of the IOC protection function

BINARY STATUS SIGNAL	SIGNAL TITLE	EXPLANATION
IOC50_Blk_GrO_	Block	Input for disabling the function
IOC50_Double_GrO_	Double	Input used to double the value of the parameter "Start Current".

The **binary output status signals** of the three-phase instantaneous overcurrent protection function are listed in [Table 1-4](#) below.

Table 1-4 The binary output status signals of the IOC protection function

BINARY OUTPUT SIGNAL	SIGNAL TITLE	EXPLANATION
IOC50_TrL1_GrI_	Trip L1	Trip command of the function in phase L1
IOC50_TrL2_GrI_	Trip L2	Trip command of the function in phase L2
IOC50_TrL3_GrI_	Trip L3	Trip command of the function in phase L3

3.1.9.1.6. The Decision Logic (Decision logic)

The decision logic module combines the status signals to generate the general trip command of the function.

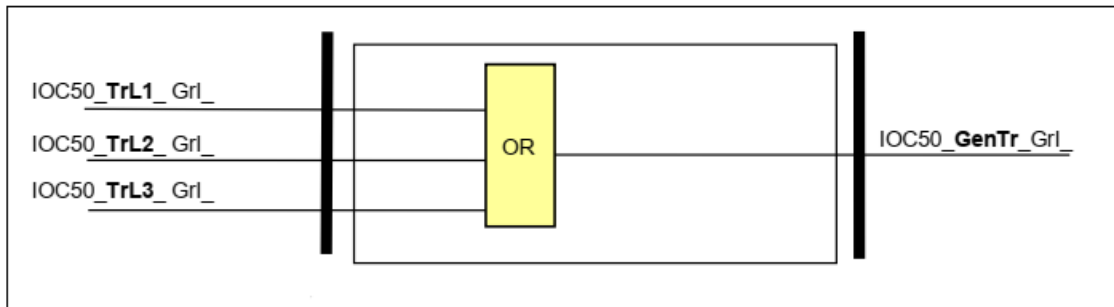


Figure 1-6 The logic scheme of the instantaneous overcurrent protection function

Table 1-5 The binary input status signals of the decision logic

BINARY INPUT SIGNAL	SIGNAL TITLE	EXPLANATION
IOC50_TrL1_Grl_	Trip L1	Trip command of the function in phase L1
IOC50_TrL2_Grl_	Trip L2	Trip command of the function in phase L2
IOC50_TrL3_Grl_	Trip L3	Trip command of the function in phase L3

Table 1-6 The binary output status signal of the decision logic

BINARY OUTPUT SIGNAL	SIGNAL TITLE	EXPLANATION
IOC50_GenTr_Grl_	General Trip	General trip command of the function

3.1.9.2. 3-Phase Instantaneous OC Function Overview

The graphic appearance of the 3-phase instantaneous overcurrent protection function block is shown in Figure 2-1. This block shows all binary input and output status signals that are applicable in the graphic equation editor.

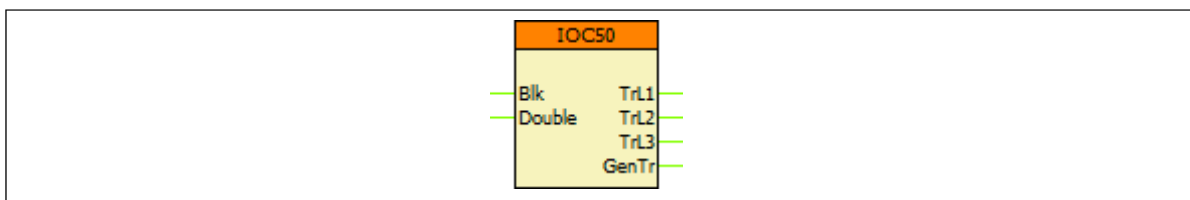


Figure 2-1 The function block of the 3-phase instantaneous overcurrent protection

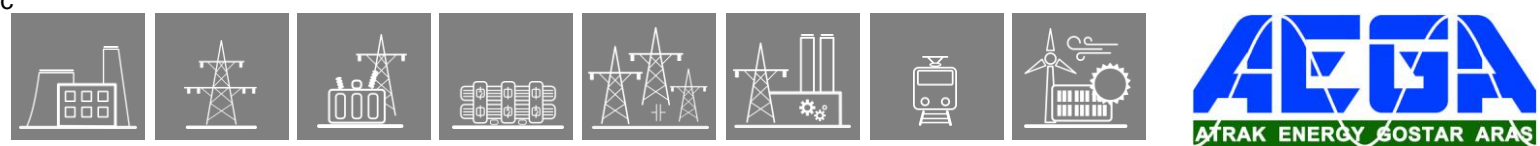
3.1.9.2.1. Settings

3.1.9.2.1.1. Parameters

The available parameters are listed below in order of their appearance in the *parameters* menu. If the setting range of a parameter should be extended, contact Protecta Support.

Table 2-1 Parameters of the 3-phase instantaneous overcurrent protection function

TITLE	DIM	RANGE	STEP	DEFAULT	EXPLANATION
Operation	-	Off, Peak value, Fundamental value	-	Off	Parameter for enabling the function and selection type.
Start Current	%	20 – 3000	1	200	Start setting of the function. If the current exceeds this value, the function picks up and trips after the minimum operation time of the relay (t_{OP}).



3.1.9.2.2. Function I/O

This section briefly describes the analogue and digital inputs and outputs of the function block.

3.1.9.2.2.1. Analogue inputs

The analogue inputs are the RMS values of the fundamental Fourier component of the three phase currents.

3.1.9.2.2.2. Binary input signals (graphed output statuses)

The conditions of the binary inputs are defined by the user, applying the graphic equation editor (*Logic Editor*). Parts written in **bold** are seen on the left side of the function block in the Logic editor.

Table 2-2 The binary input signals of the 3ph IOC function

BINARY INPUT SIGNAL	SIGNAL TITLE	EXPLANATION
IOC50_ Blk _GrO_	Block	Input for disabling the function
IOC50_ Double _GrO_	Double	Input used to double the value of the parameter "Start Current".

3.1.9.2.2.3. Binary output signals (graphed input statuses)

These signals can be used in EuroCAP to assign to LED, user LCD object etc. Parts written in **bold** are seen on the right side of the function block in the *Logic Editor*.

Table 2-3 The binary output signals of the 3ph IOC function

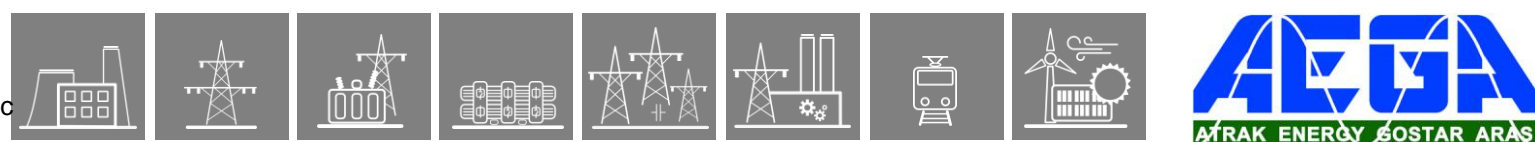
BINARY OUTPUT SIGNAL	SIGNAL TITLE	EXPLANATION
IOC50_ TrL1 _GrI_	Trip L1	Trip command of the function in phase L1
IOC50_ TrL2 _GrI_	Trip L2	Trip command of the function in phase L2
IOC50_ TrL3 _GrI_	Trip L3	Trip command of the function in phase L3
IOC50_ GenTr _GrI_	General Trip	Trip command of the function in at least one of the three phases

3.1.9.2.2.4. Online data

The following values are visible in the *online data* page.

Table 2-4 Online data of the 3ph IOC function

SIGNAL TITLE	DIMENSION	EXPLANATION
Trip L1	-	Trip command of the function in phase L1
Trip L2	-	Trip command of the function in phase L2
Trip L3	-	Trip command of the function in phase L3
General Trip	-	Trip command of the function in at least one of the three phases



3.1.9.2.2.5. Events

The following events are generated in the event list, as well as sent to the SCADA according to the configuration.

Table 2-5 Generatable events of the 3ph IOC function

EVENT	VALUE	EXPLANATION
Trip L1	off, on	Trip command of the function in phase L1
Trip L2	off, on	Trip command of the function in phase L2
Trip L3	off, on	Trip command of the function in phase L3
General Trip	off, on	Trip command of the function in at least one of the three phases

3.1.9.2.3. Technical Data

Table 2-6 Technical data of the 3-phase IOC protection function

FUNCTION	VALUE	ACCURACY
<i>Using peak value calculation</i>		
Operating characteristic	Instantaneous	< 6%
Reset ratio	0.85	
Operate time at 2*Is	< 15 ms	
Reset time*	< 40 ms	
Transient overreach	90%	
<i>Using Fourier fundamental harmonic calculation</i>		
Operating characteristic	Instantaneous	< 2%
Reset ratio	0.85	
Operate time at 2*Is	< 25 ms	
Reset time*	< 60 ms	
Transient overreach	15%	

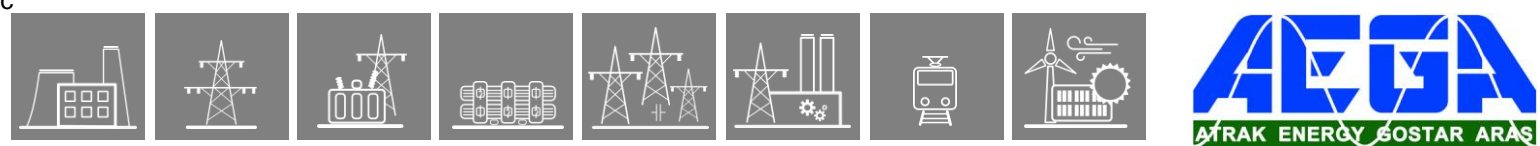
* Measured with signal contacts

3.1.9.2.4. Notes for Testing

Normally in the EuroProt+ devices the trip contacts are assigned to the Trip Logic function block, and not to the protection function blocks. Because of this, the testing personnel must make sure that the Trip Logic is switched on ('Operation' parameter is set to other than 'Off') before starting the tests, otherwise there will be no physical trip on the relay.

Being an instantaneous function, its connection to the Trip Logic function is done in the Fast Equations (by default) and not in the Logic Editor (usually, there are comments inserted in the Logic Editor if such connections exist). This can be checked in EuroCAP.

The analogue sources can be changed by the user (i.e. if there are multiple CT modules in a device, it might be possible to assign the measurements of either CT module to the function's inputs). This can be checked in the function block properties in EuroCAP.



3.1.10. Residual Instantaneous Overcurrent Protection

3.1.10.1. Application

The residual instantaneous overcurrent protection function operates according to instantaneous characteristics, using the residual current ($I_N=3I_0$). The setting value is a parameter, and it can be doubled by a binary input signal defined by the user, applying the graphic programming.

The basic calculation can be based on peak value selection or on the RMS values of the fundamental Fourier component of the residual current, according to the parameter setting. When Fourier calculation is selected then the accuracy of the operation is high, the operation time, however, is above one period of the network frequency. If the operation is based on peak values, then fast sub-cycle operation can be expected, but the transient overreach can be high.

3.1.10.1.1. Operating Characteristics

$$t(I) = t_{OP} \text{ when } I > I_S$$

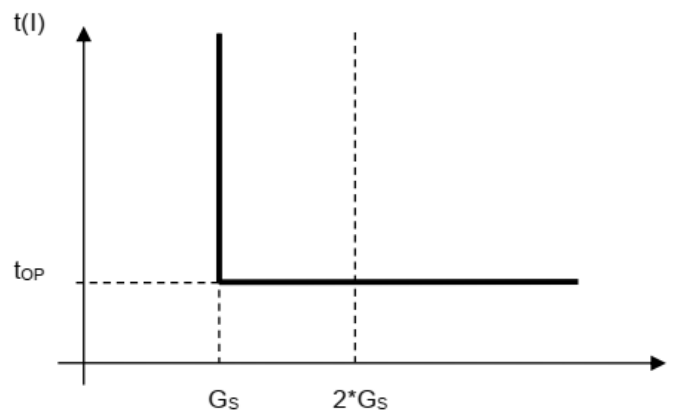
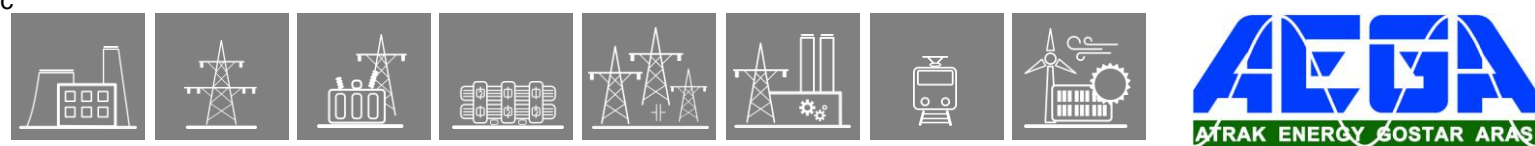


Figure 1-1 Overcurrent independent time characteristic

where:

- t_{OP} (sec.) theoretical operating time if $G > G_S$ (without additional time delay),
- G measured value of the characteristic quantity, peak values or Fourier base harmonic of the phase currents,
- G_S setting value of the characteristic quantity (*Start current*)



3.1.10.1.5. The Instantaneous Decision (Instantaneous decision)

This module generates an internal trip command without additional time delay based on the Fourier components of the residual current, or based on the peak values if the detected values are above the current setting value.

The **inputs** are the basic Fourier components of the residual current (INFour), the peak values (INPeak), parameters and status signals.

The **outputs** are the status signals. These indicate the generated internal trip command if the current is above the current setting value.

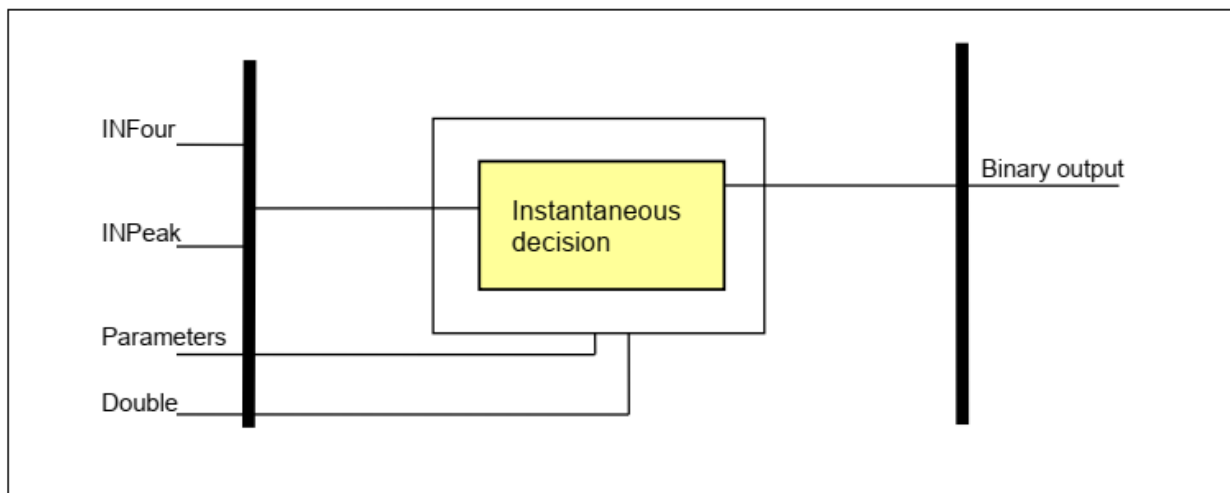
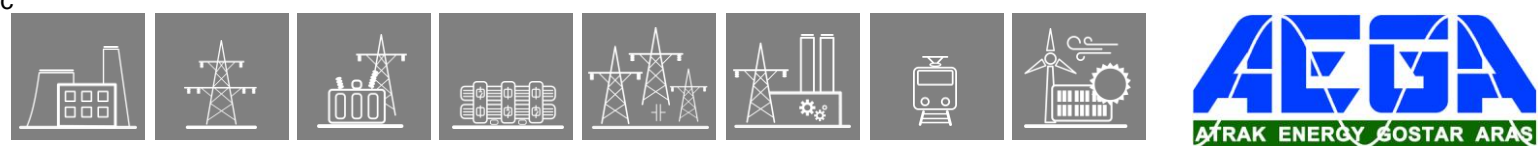


Figure 1-5 Principal scheme of the residual instantaneous characteristic calculation



Enumerated parameters

Table 1-1 The enumerated parameters of the residual IOC protection function

TITLE	DIM	RANGE	STEP	DEFAULT	EXPLANATION
Operation	-	Off, Peak value, Fundamental value	-	Off	Parameter for enabling the function and selection type.

Integer parameters

Table 1-2 The integer parameters of the residual IOC protection function

TITLE	DIM	RANGE	STEP	DEFAULT	EXPLANATION
Start Current	%	20 – 3000*	1	200	Setting value of the function.

Binary status signals

The decision block of the residual instantaneous overcurrent protection function has a binary input signal, which serves the purpose of doubling the setting value of the function. **The conditions are defined by the user, applying the graphic equation editor.**

Table 1-3 The binary input signals for the decision block of the residual IOC protection function

BINARY STATUS SIGNAL	SIGNAL TITLE	EXPLANATION
IOC50N_Double_GrO_	Double	Input used to double the value of the parameter "Start Current".

The **binary output status signal** of the residual instantaneous overcurrent protection function is shown in Table 1-4.

Table 1-4 The binary output status signal of the residual IOC protection function

BINARY OUTPUT SIGNAL	SIGNAL TITLE	EXPLANATION
IOC50N_TrN_	Trip N _i	Internal trip command of the function

3.1.10.1.6. The Decision Logic (Decision logic)

The decision logic module combines the status signal binary and the binary parameter to generate the general trip command of the function.

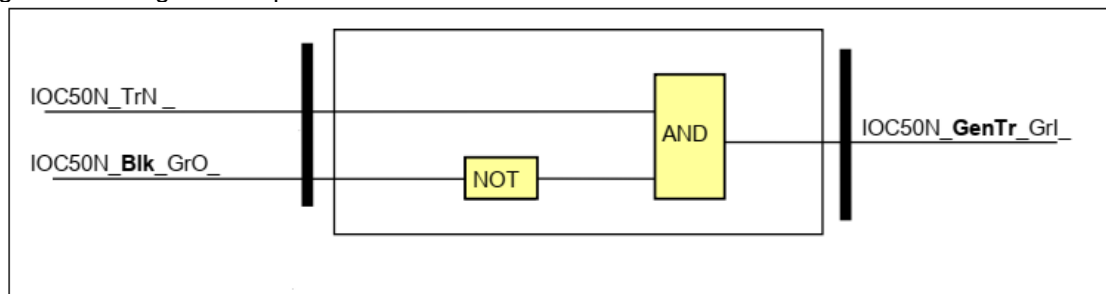


Figure 1-6 The logic scheme of the residual IOC protection function

Table 1-5 The binary input status signal of the residual IOC protection function

BINARY INPUT SIGNAL	SIGNAL TITLE	EXPLANATION
IOC50N_TrN_	Trip N	Internal trip command of the function

Binary status signal

The residual instantaneous overcurrent protection function has a binary input signal, which serves the purpose of disabling the function. **The conditions of disabling are defined by the user, applying the graphic equation editor.**

Table 1-6 The binary input signal of the residual IOC protection function

BINARY STATUS SIGNAL	SIGNAL TITLE	EXPLANATION
IOC50N_Blk_GrO_	Block	Input for disabling the function

Table 1-7 The binary output status signal of the decision logic

BINARY OUTPUT SIGNAL	SIGNAL TITLE	EXPLANATION
IOC50N_GenTr_GrI_	General Trip	General trip command of the function

3.1.10.2. Residual Instantaneous OC Function Overview

The graphic appearance of the residual instantaneous overcurrent protection function block is shown in [Figure 2-1](#). This block shows all binary input and output status signals that are applicable in the graphic equation editor.

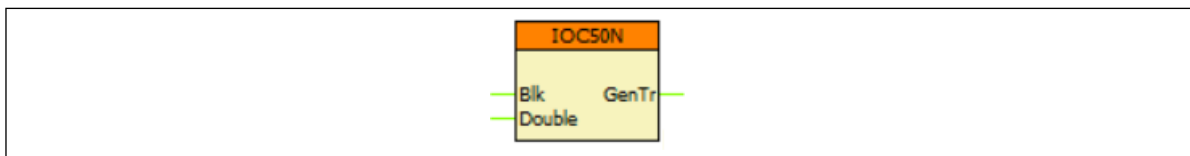


Figure 2-1 The function block of the residual instantaneous overcurrent protection

3.1.10.2.1. Settings

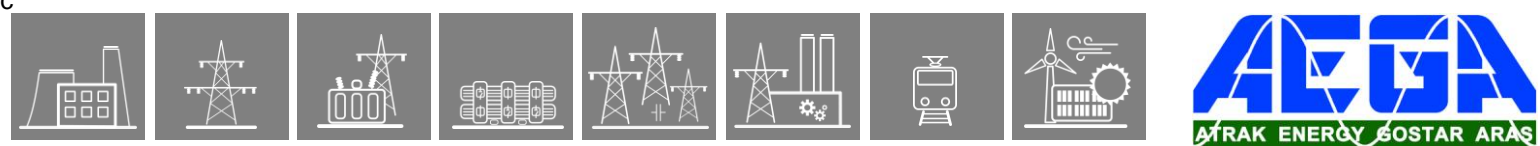
3.1.10.2.1.1. Parameters

The available parameters are listed below in order of their appearance in the *parameters* menu. If the setting range of a parameter should be extended, contact Protecta Support.

Table 2-1 Parameters of the residual instantaneous overcurrent protection function

TITLE	DIM	RANGE	STEP	DEFAULT	EXPLANATION
Operation	-	Off, Peak value, Fundamental value	-	Off	Parameter for enabling the function and selection type.
Start Current	%	10 – 1000*	1	200	Start value of the function, if the current exceeds this value, the function picks up and trips after the minimum operation time of the relay (t_{OP}).

*extendable to 3000 when using CT+/5151 module



3.1.10.2.2. Function I/O

This section briefly describes the analogue and digital inputs and outputs of the function block.

3.1.10.2.2.1. Analogue inputs

The analogue inputs are the sampled values of the residual current.

3.1.10.2.2.2. Binary input signals (graphed output statuses)

The conditions of the binary inputs are defined by the user, applying the graphic equation editor (*Logic Editor*). Parts written in **bold** are seen on the left side of the function block in the Logic editor.

Table 2-2 The binary input signals of the residual IOC function

BINARY INPUT SIGNAL	SIGNAL TITLE	EXPLANATION
IOC50N_ Blk _GrO_	Block	Input for disabling the function
IOC50N_ Double _GrO_	Double	Input used to double the value of the parameter "Start Current".

3.1.10.2.2.3. Binary output signals (graphed input statuses)

These signals can be used in EuroCAP to assign to LED, user LCD object etc. Parts written in **bold** are seen on the right side of the function block in the *Logic Editor*.

Table 2-3 The binary output signals of the residual IOC function

BINARY OUTPUT SIGNAL	SIGNAL TITLE	EXPLANATION
IOC50N_ GenTr _GrI_	General Trip	General trip command of the function

3.1.10.2.2.4. Online data

The following values are visible in the *online data* page.

Table 2-4 Online data of the residual IOC function

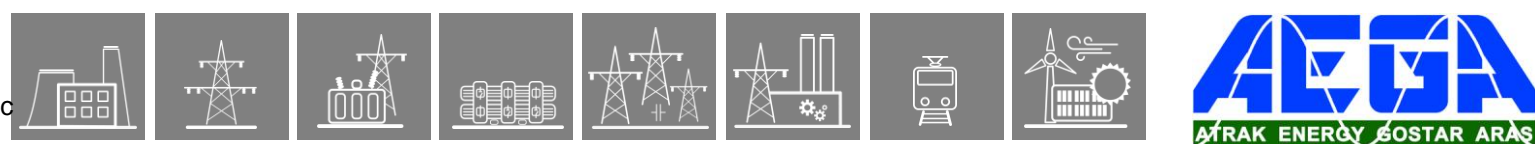
SIGNAL TITLE	DIMENSION	EXPLANATION
General Trip	-	General trip command of the function

3.1.10.2.2.5. Events

The following events are generated in the event list, as well as sent to the SCADA according to the configuration.

Table 2-5 Generatable events of the residual IOC function

EVENT	VALUE	EXPLANATION
General Trip	off, on	General trip command of the function



3.1.10.2.3. Technical Data

Table 2-6 Technical data of the residual IOC protection function

FUNCTION	VALUE	ACCURACY
<i>Using peak value calculation</i>		
Operating characteristic ($I > 0.1I_n$)	Instantaneous	< 6%
Reset ratio	0.85	
Operate time at $2 \cdot I_s$	< 15 ms	
Reset time*	< 40 ms	
Transient overreach	85%	
<i>Using Fourier fundamental harmonic calculation</i>		
Operating characteristic ($I > 0.1I_n$)	Instantaneous	< 3%
Reset ratio	0.85	
Operate time at $2 \cdot I_s$	< 25 ms	
Reset time*	< 60 ms	
Transient overreach	15%	

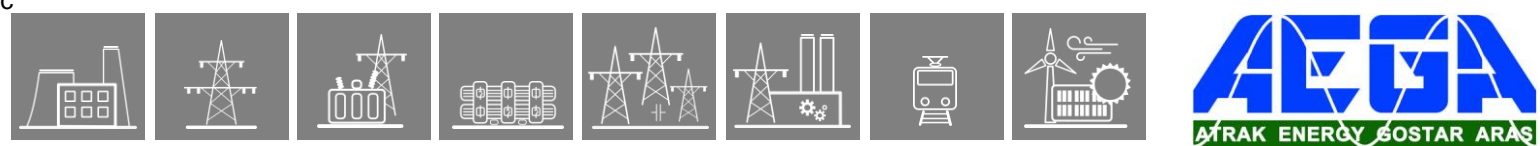
* Measured with signal contacts

3.1.10.2.4. Notes for Testing

Normally in the EuroProt+ devices the trip contacts are assigned to the Trip Logic function block, and not to the protection function blocks. Because of this, the testing personnel must make sure that the Trip Logic is switched on ('Operation' parameter is set to other than 'Off') before starting the tests, otherwise there will be no physical trip on the relay.

Being an instantaneous function, its connection to the Trip Logic function is done in the Fast Equations (by default) and not in the Logic Editor (usually, there are comments inserted in the Logic Editor if such connections exist). This can be checked in EuroCAP.

As the analogue sources can be changed by the user, it is possible to assign calculated or measured residual current to the input of the function block. This can be checked in the function block properties in EuroCAP.



3.1.11. Breaker failure protection

3.1.11.1. Application

After a protection function generates a trip command, it is expected that the circuit breaker opens and the fault current drops below the pre-defined normal level.

If not, then an additional trip command must be generated for all backup circuit breakers to clear the fault. At the same time, if required, a repeated trip command can be generated to the circuit breaker(s) which are expected to open.

The breaker failure protection function can be applied to perform this task.

In EuroProt+ product family two versions of breaker failure protection function can be applied:

“BRF50” – Breaker Failure:

This version of the breaker failure protection can be applied to perform the task to give command to the backup circuit breakers. It can be applied if only common-phase handling is sufficient, and phase selectivity is not required.

BRF50SP

“BRF50SP” - Single-pole Breaker Failure:

If repeated trip command (retrip) is needed besides the backup trip, this version of breaker failure protection function must be used.

Both versions of breaker failure protection function receive the trip requirements of the protective functions implemented in the device and combines the binary signals and parameters to the outputs of the device.

3.1.11.1.1. Mode of operation

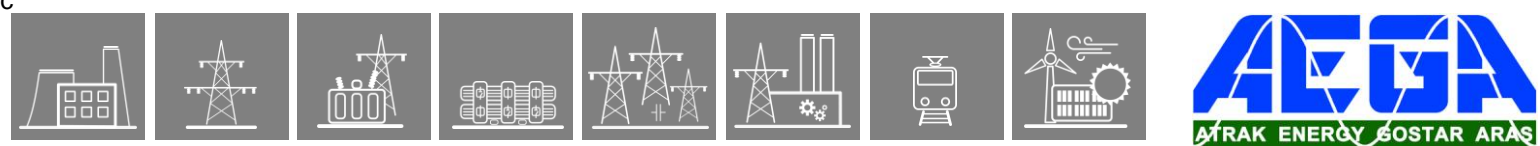
The starting signal of the breaker failure protection function is usually the trip command of any other protection function. The user has the task to define these starting signals using the graphic equation editor as the “General Start” (BRF50_GenSt_GrO_), or if the operation of the individual phases is needed, then the start signals for the phases individually.

The phase start signals are: “Start L1” (BRF50_StL1_GrO_), “Start L2” (BRF50_StL2_GrO_) and “Start L3” (BRF50_StL3_GrO_).

Dedicated timers start at the rising edge of the start signals, one for the backup trip command and one for the repeated trip command, separately for operation in the individual phases. During the running time of the timers the function optionally monitors the currents, the closed state of the circuit breakers or both, according to the user’s choice. The selection is made using the enumerated parameter “Operation”:

- If this parameter setting is “Current”, the current limit values “Start Ph Current” and “Start Res Current” must be set correctly. The binary input indicating the status of the circuit breaker has no meaning.
- If this parameter setting is “Contact”, the current limit values “Start current Ph” and “Start current N” have no meaning. The binary input indicating the status of the circuit breaker must be programmed correctly using the graphic equation editor.
 - By using “BRF50” variant: the input variable to be programmed is: BRF50_CBClosed_GrO_ (CB Closed),
 - By using “BRF50SP” variant: the input variables to be programmed are: BRF50_CBCIL1_GrO_ (CB closed L1), BRF50_CBCIL2_GrO_ (CB closed L2) and BRF50_CBCIL3_GrO_ (CB closed L3).
- If this parameter setting is “Current/Contact”, the current parameters and the status signal must be set correctly. The breaker failure protection function resets only if all conditions for faultless state are fulfilled.

BRF50SP



3.1.11.1.2. Operation principles

The decision logic module combines status signals, binary and enumerated parameters to generate the backup trip signal.

Binary status signals

The breaker failure protection function has binary input signals. **The conditions are defined by the user, applying the graphic equation editor.**

The **binary input status signals** of the breaker failure protection function are listed in Table 1-1.

Table 1-1 The binary input status signals of the decision logic

BINARY STATUS SIGNAL	TITLE	EXPLANATION
BRF50_ Blk _GrO_	Block	Blocking of the breaker failure protection function
BRF50_ CBClosed _GrO_	CB closed	Signal indicating the closed state of the circuit breaker
<i>BRF50SP_ CBCIL1_GrO_</i>	<i>CB closed L1</i>	<i>Signal indicating the closed state of the circuit breaker in phase L1</i>
<i>BRF50SP_ CBCIL2_GrO_</i>	<i>CB closed L2</i>	<i>Signal indicating the closed state of the circuit breaker in phase L2</i>
<i>BRF50SP_ CBCIL3_GrO_</i>	<i>CB closed L3</i>	<i>Signal indicating the closed state of the circuit breaker in phase L3</i>
BRF50_ GenSt _GrO_	General Start	General starting signal
<i>BRF50SP_ StL1_GrO_</i>	<i>Start L1</i>	<i>Starting signal in phase L1</i>
<i>BRF50SP_ StL2_GrO_</i>	<i>Start L2</i>	<i>Starting signal in phase L2</i>
<i>BRF50SP_ StL3_GrO_</i>	<i>Start L3</i>	<i>Starting signal in phase L3</i>
BRF50_ IoSt _GrO_	Start Io	Starting signal for the residual current
Internal signal:	IL1>	Current in phase L1 is above the preset parameter value
Internal signal:	IL2>	Current in phase L2 is above the preset parameter value
Internal signal:	IL3>	Current in phase L3 is above the preset parameter value
Internal signal:	Io>	Current 3Io is above the preset parameter value
Enumerated parameter	Current/Contact	The monitored condition is current, contact or both

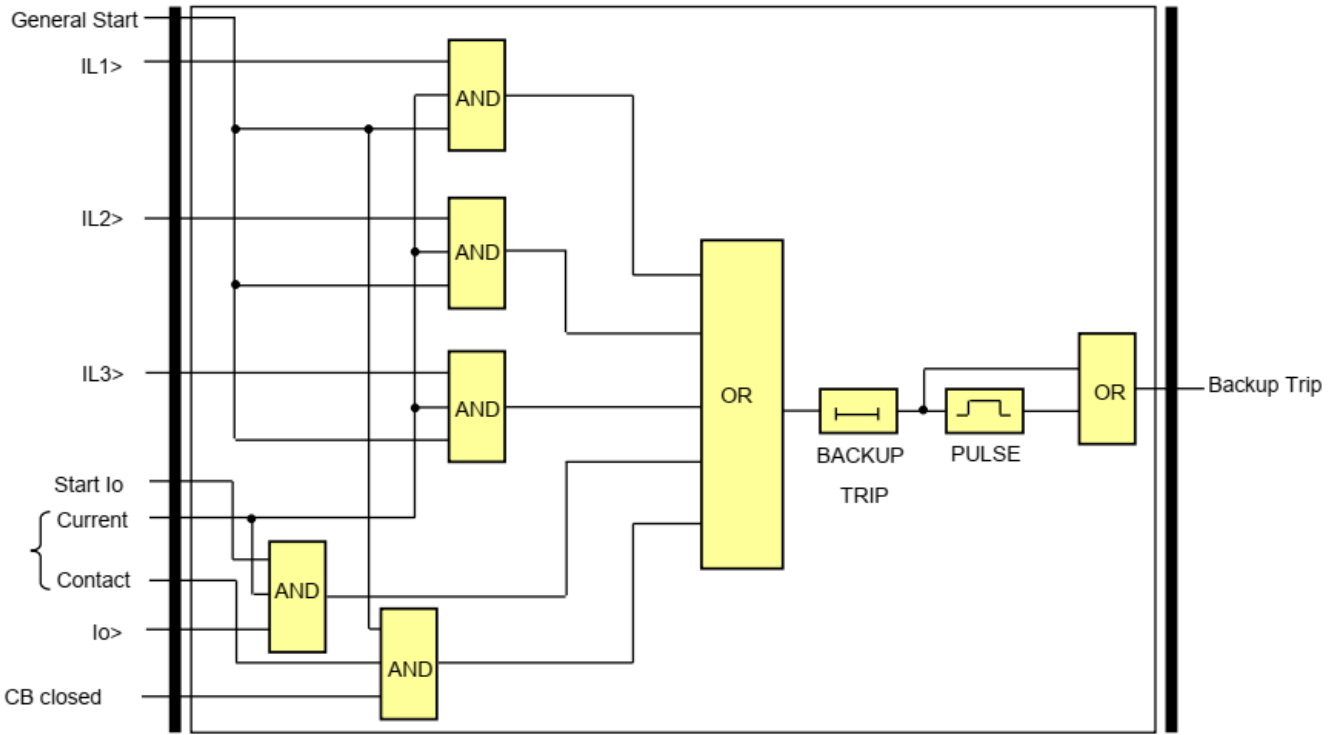


Figure 1-1 The logic scheme of the decision logic of "BRF50" variant

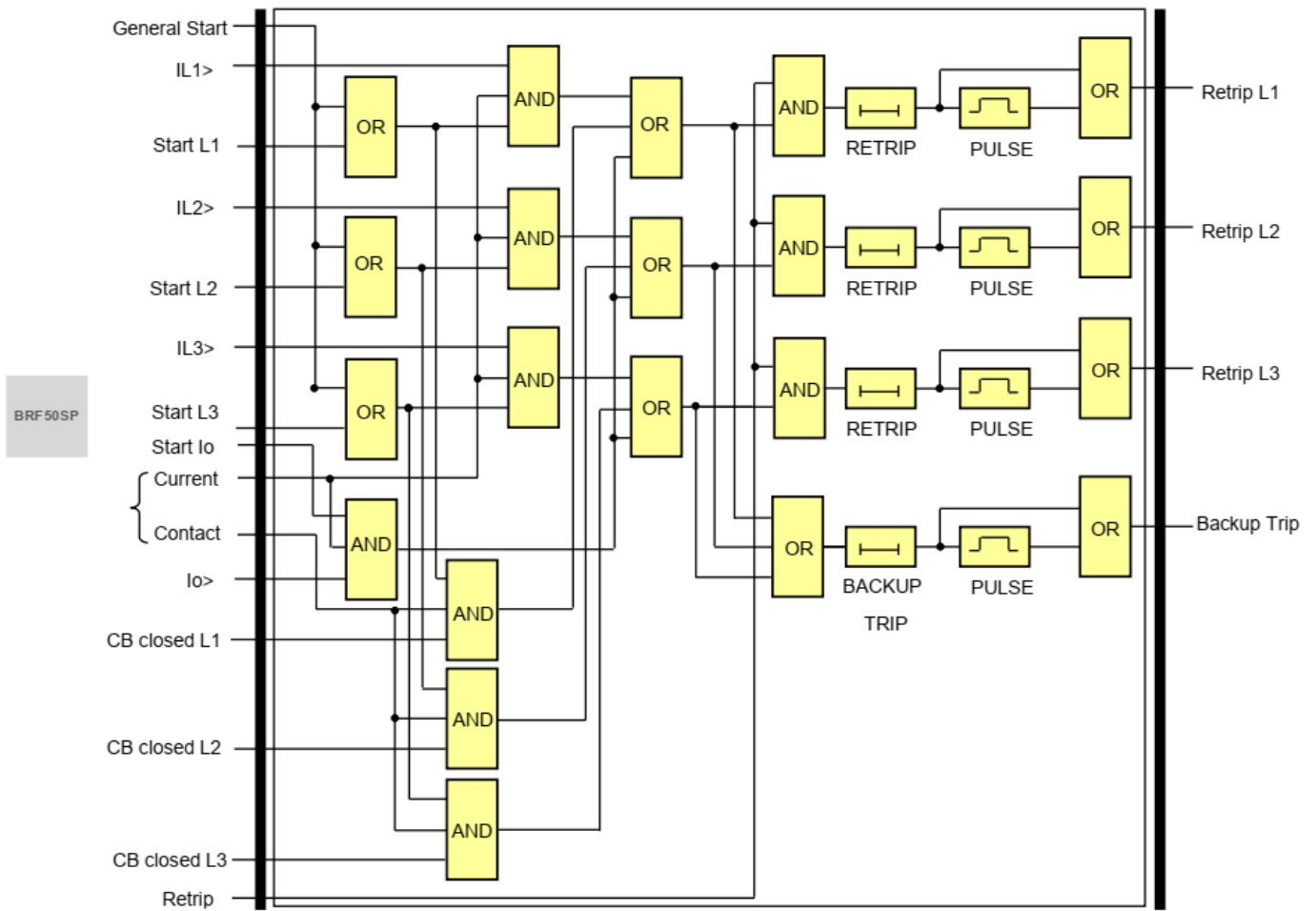
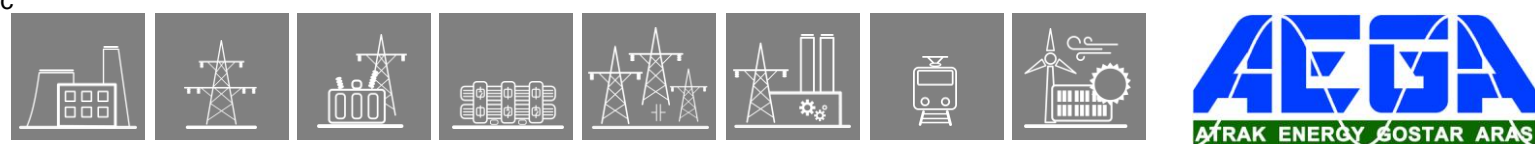


Figure 1-2 The logic scheme of the decision logic of "BRF50SP" variant



The **binary output status signals** of the breaker failure protection function is detailed in [Table 1-2](#).

Table 1-2 The binary output status signal of the decision logic

BRF50SP

BINARY STATUS SIGNAL	TITLE	EXPLANATION
BRF50_BuTr_Grl_	Backup Trip	Trip command generated for the backup circuit breakers
BRF50_TrL1_Grl_	Retrip L1	Repeated trip command in phase L1
BRF50_TrL2_Grl_	Retrip L2	Repeated trip command in phase L2
BRF50_TrL3_Grl_	Retrip L3	Repeated trip command in phase L3

3.1.11.2. Breaker failure protection function overview

The graphic appearance of the variants the breaker failure protection function blocks are shown below. The blocks show all binary input and output status signals which are applicable in the graphic equation editor.

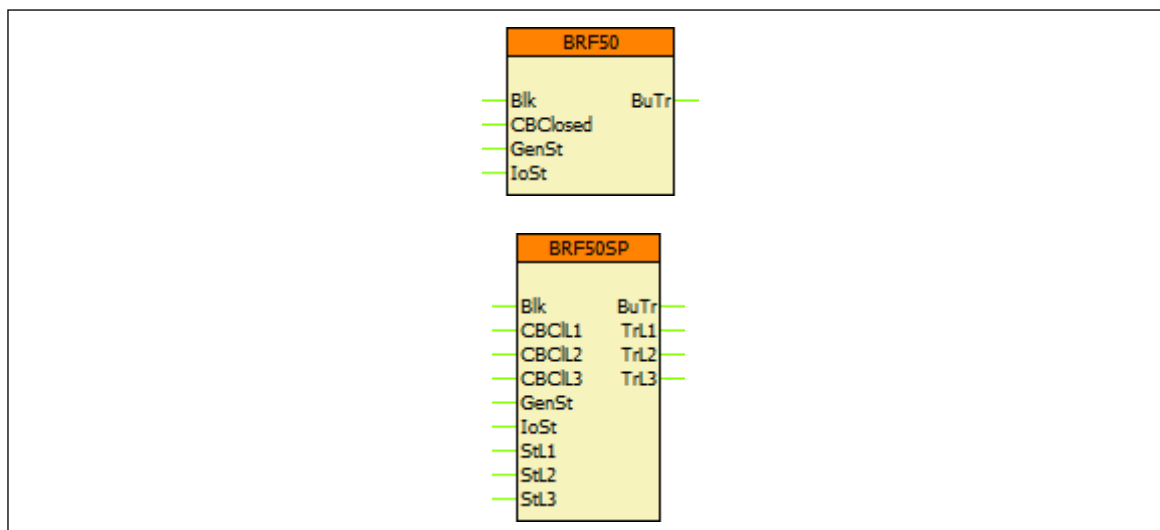


Figure 2-1 Graphic appearance of the variants of the breaker failure protection function block

3.1.11.2.1. Settings

3.1.11.2.1.1. Parameters

The available parameters are listed below in order of their appearance in the *parameters* menu. If the setting range of a parameter should be extended, contact Protecta Support.

Table 2-1 Parameters of the breaker failure protection function

	TITLE	DIM	RANGE	STEP	DEFAULT	EXPLANATION
	Operation	-	Off, Current, Contact, Current/Contact	-	Off	Enabling the function
BRF50SP	Retrip	-	Off, On	-	Off	Enabling the retrip function
	Start Ph Current	%	20 – 200	1	30	Phase current setting
	Start Res Current	%	10 – 200	1	20	Residual current setting
BRF50SP	Retrip Time Delay	msec	0 – 1000	1	100	Time delay for retrip command generation
	Backup Time Delay	msec	100 – 60000	1	1000	Time delay for trip command generation for the backup circuit breaker(s)
	Pulse Duration	msec	0 – 60000	1	100	Trip command impulse duration

3.1.11.2.2. Function I/O

This section describes briefly the analogue and digital inputs and outputs of the function block.

3.1.11.2.2.1. Analogue inputs

The function uses the sampled values of a current input. This is defined in the configuration.

3.1.11.2.2.2. Binary input signals (graphed output statuses)

The conditions of the binary inputs are defined by the user, applying the graphic equation editor (*Logic Editor*). Parts written in **bold** are seen on the left side function block in the Logic editor.

Table 2-2 The binary input signals of the breaker failure protection functions

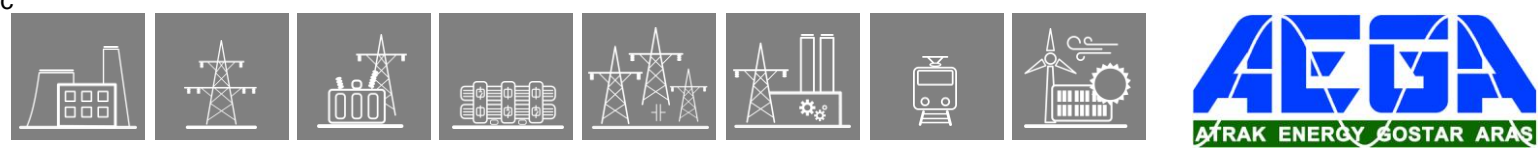
BINARY STATUS SIGNAL	TITLE	EXPLANATION
BRF50_ Bik _GrO_	Block	Blocking of the breaker failure protection function
BRF50_ CBClosed _GrO_	CB closed	Signal indicating the closed state of the circuit breaker
<i>BRF50SP_ CBCIL1_GrO_</i>	<i>CB closed L1</i>	<i>Signal indicating the closed state of the circuit breaker in phase L1</i>
<i>BRF50SP_ CBCIL2_GrO_</i>	<i>CB closed L2</i>	<i>Signal indicating the closed state of the circuit breaker in phase L2</i>
<i>BRF50SP_ CBCIL3_GrO_</i>	<i>CB closed L3</i>	<i>Signal indicating the closed state of the circuit breaker in phase L3</i>
BRF50_ GenSt _GrO_	General Start	General starting signal
<i>BRF50SP_ StL1_GrO_</i>	<i>Start L1</i>	<i>Starting signal in phase L1</i>
<i>BRF50SP_ StL2_GrO_</i>	<i>Start L2</i>	<i>Starting signal in phase L2</i>
<i>BRF50SP_ StL3_GrO_</i>	<i>Start L3</i>	<i>Starting signal in phase L3</i>
BRF50_ IoSt _GrO_	Start Io	Starting signal for the residual current

3.1.11.2.2.3. Binary output signals (graphed input statuses)

These signals can be used in EuroCAP to assign to LED, user LCD object etc. Parts written in **bold** are seen on the right side of the function block in the *Logic Editor*.

Table 2-3 The binary output signals of the breaker failure protection function

BINARY STATUS SIGNAL	TITLE	EXPLANATION
BRF50_ BuTr _Grl_	Backup Trip	Trip command generated for the backup circuit breakers
<i>BRF50_ TrL1_Grl_</i>	<i>Retrip L1</i>	<i>Repeated trip command in phase L1</i>
<i>BRF50_ TrL2_Grl_</i>	<i>Retrip L2</i>	<i>Repeated trip command in phase L2</i>
<i>BRF50_ TrL3_Grl_</i>	<i>Retrip L3</i>	<i>Repeated trip command in phase L3</i>



3.1.11.2.2.4. Online data

Visible values on the *online data* page.

Table 2-4 Online displayed data of the breaker failure protection function

	SIGNAL TITLE	DIMENSION	EXPLANATION
	Backup Trip	-	Trip command generated for the backup circuit breakers
BRF50SP	<i>Retrip L1</i>	-	<i>Repeated trip command in phase L1</i>
	<i>Retrip L2</i>	-	<i>Repeated trip command in phase L2</i>
	<i>Retrip L3</i>	-	<i>Repeated trip command in phase L3</i>

3.1.11.2.2.5. Events

The following events are generated in the event list, as well as sent to the SCADA according to the configuration.

Table 2-5 Generated events of the breaker failure protection function

BRF50SP

EVENT	VALUE	EXPLANATION
Backup Trip	off, on	Backup trip command of the function
Retrip L1	off, on	Repeated trip command in phase L1
Retrip L2	off, on	Repeated trip command in phase L2
Retrip L3	off, on	Repeated trip command in phase L3

3.1.11.2.3. Technical data

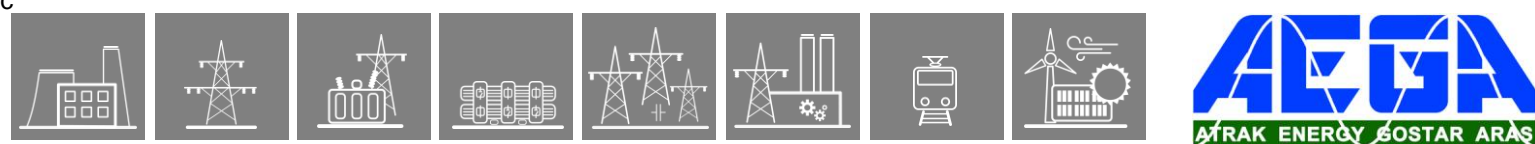
Table 2-6 Technical data of the breaker failure protection function

FUNCTION	VALUE	ACCURACY
Pick-up starting accuracy		< 2 %
Operate time accuracy		±5% or ±15 ms, whichever is greater
Retrip time	approx. 15 ms	
Reset ratio	0.9	
Current reset time	16 – 25 ms	

3.1.11.2.4. Notes for testing

Note that the time delay parameter incorporates the algorithm time as well, so the time delay **does not mean the time difference between the appearance of the start and trip signals** of the function. In other words: it is not the delay between the detection of the fault and the trip that follows it. This should be taken into consideration when checking the disturbance records.

Instead the time delay parameter defines the elapsed time from the appearance of the faulty state to the trip. Because of this, while testing, the delay measurement should start *from the moment of the fault injection* until the trip signal.



3.1.12. Three-phase time overcurrent protection

3.1.12.1. Operation principle

The overcurrent protection function realizes definite time or inverse time characteristics according to IEC or IEEE standards, based on three phase currents. The characteristics are harmonized with IEC 60255-151, Edition 1.0, 2009-08. This function can be applied as main protection for medium-voltage applications or backup or overload protection for high-voltage network elements.

3.1.12.1.1. Operating characteristics

3.1.12.1.1.1. Independent time characteristic

$$t(G) = t_{OP} \text{ when } G > G_S$$

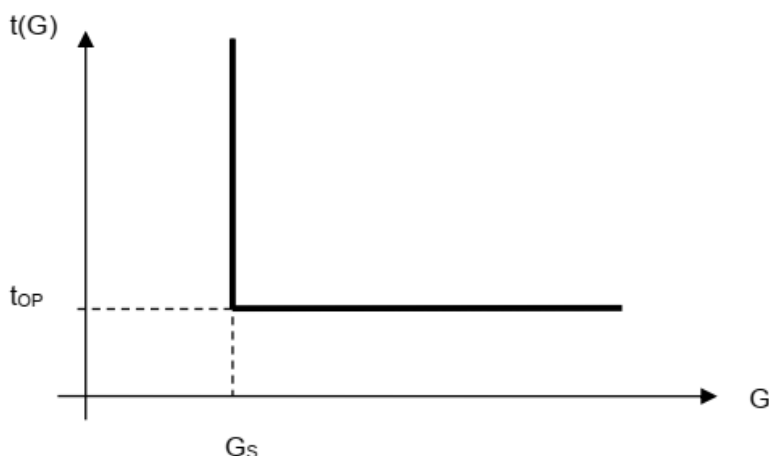


Figure 1-1 Overcurrent independent time characteristic

where

- t_{OP} (seconds) theoretical operating time if $G > G_S$, fix, according to the preset parameter,
- G measured value of the characteristic quantity, Fourier base harmonic of the phase currents,
- G_S preset value of the characteristic quantity ("Start current" parameter).

3.1.12.1.1.2. Standard dependent time characteristics

Operating characteristics:

$$t(G) = TMS \left[\frac{k}{\left(\frac{G}{G_s}\right)^\alpha - 1} + c \right] \text{ when } G > G_s$$

where

- t(G)(seconds) theoretical operate time with constant value of G,
- k, c constants characterizing the selected curve (in seconds),
- α constants characterizing the selected curve (no dimension),
- G measured value of the characteristic quantity, Fourier base harmonic of the phase currents (IL1Four, IL2Four, IL3Four),
- G_s preset value of the characteristic quantity ("Start current" parameter),
- TMS preset time multiplier (no dimension).

Table 1-1 The constants of the standard dependent time characteristics

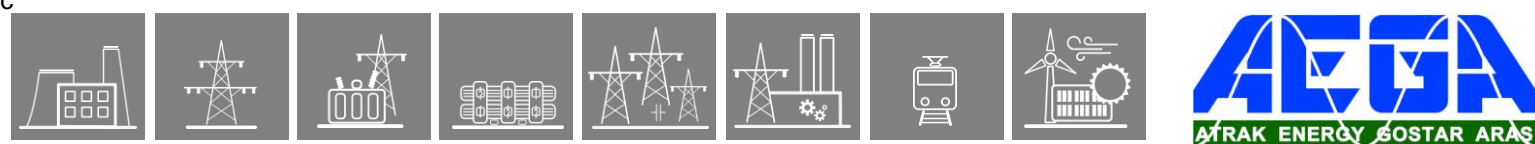
	IEC REF	TITLE	kr	c	α
1	A	IEC Inv	0,14	0	0,02
2	B	IEC VeryInv	13,5	0	1
3	C	IEC ExtInv	80	0	2
4		IEC LongInv	120	0	1
5		ANSI Inv	0,0086	0,0185	0,02
6	D	ANSI ModInv	0,0515	0,1140	0,02
7	E	ANSI VeryInv	19,61	0,491	2
8	F	ANSI ExtInv	28,2	0,1217	2
9		ANSI LongInv	0,086	0,185	0,02
10		ANSI LongVeryInv	28,55	0,712	2
11		ANSI LongExtInv	64,07	0,250	2

The end of the effective range of the dependent time characteristics (G_D) is:

$$G_D = 20 * G_s$$

Above this value the theoretical operating time is definite:

$$t(G) = TMS \left[\frac{k}{\left(\frac{G_D}{G_s}\right)^\alpha - 1} + c \right] \text{ when } G > G_D = 20 * G_s$$



Additionally, a minimum time delay can be defined by parameter “Min Time Delay”. This delay is valid if it is longer than $t(G)$, defined by the formula above.

The inverse characteristic is valid above $G_T = 1,1 * G_s$. Above this value the function is guaranteed to operate.

Resetting characteristics:

- For IEC type characteristics the resetting is after a fix time delay defined by “Reset delay”,
- for ANSI types however according to the formula below:

$$t_r(G) = TMS \left[\frac{k_r}{1 - \left(\frac{G}{G_s}\right)^\alpha} \right] \text{ when } G < G_s$$

where

- $t(G)$ (seconds) theoretical reset time with constant value of G ,
- k_r constants characterizing the selected curve (in seconds),
- α constants characterizing the selected curve (no dimension),
- G measured value of the characteristic quantity, Fourier base harmonic of the phase currents,
- G_s preset value of the characteristic quantity (“Start current” parameter),
- TMS preset time multiplier (no dimension).

Table 1-2 The resetting constants of the standard dependent time characteristics

	IEC REF	TITLE	k_r	α
1	A	IEC Inv	Resetting after fix time delay, according to preset parameter “Reset delay”	
2	B	IEC VeryInv		
3	C	IEC ExtInv		
4		IEC LongInv		
5		ANSI Inv	0,46	2
6	D	ANSI ModInv	4,85	2
7	E	ANSI VeryInv	21,6	2
8	F	ANSI ExtInv	29,1	2
9		ANSI LongInv	4,6	2
10		ANSI LongVeryInv	13,46	2
11		ANSI LongExtInv	30	2

3.1.12.1.2. Structure of the overcurrent protection algorithm

Fig.1-2 shows the structure of the overcurrent protection (TOC51) algorithm.

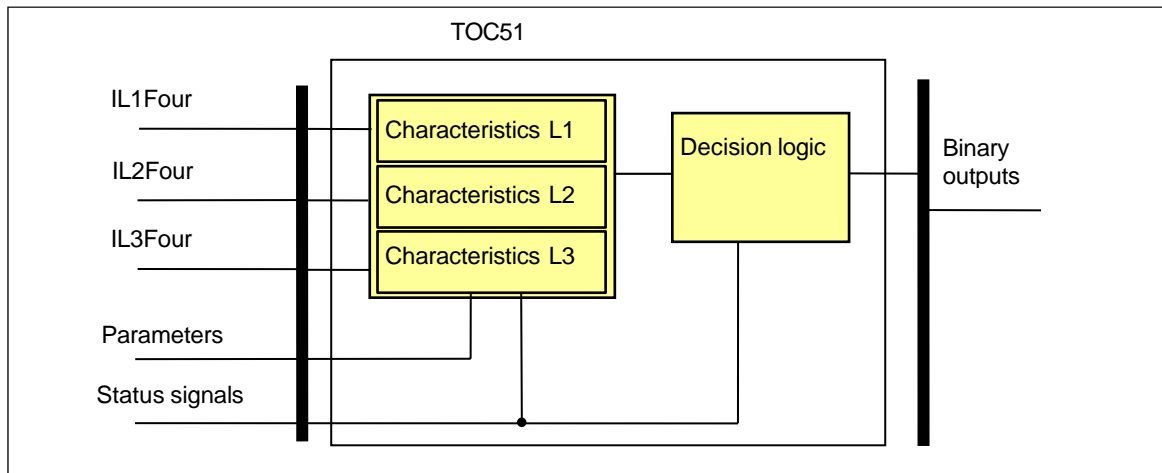


Figure 1-2 Structure of the overcurrent protection algorithm

The **inputs** are

the RMS value of the fundamental Fourier component of three phase currents, parameters, status signals.

The **outputs** are

the binary output status signals.

The **software modules** of the overcurrent protection function:

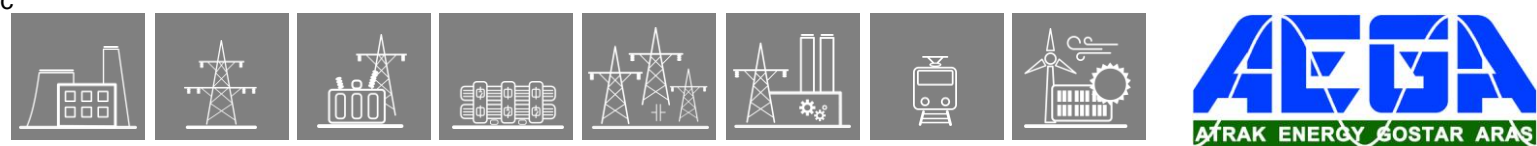
Characteristics

This module calculates the required time delay based on the Fourier components of the phase currents.

Decision logic

The decision logic module combines the status signals to generate the trip command of the function.

The following description explains the details of the individual components.



3.1.12.1.3. The definite time and the inverse type characteristics (characteristics)

This module calculates the required time delay based on the Fourier components of the phase currents. The formulas applied are described in Chapter 1.1.

The **inputs** are the RMS value of the fundamental Fourier component of the phase currents (IL1Four, IL2Four, IL3Four) and parameters.

The **outputs** are the status signals of the three phases individually. These indicate the started state and the generated trip command if the time delay determined by the characteristics expired.

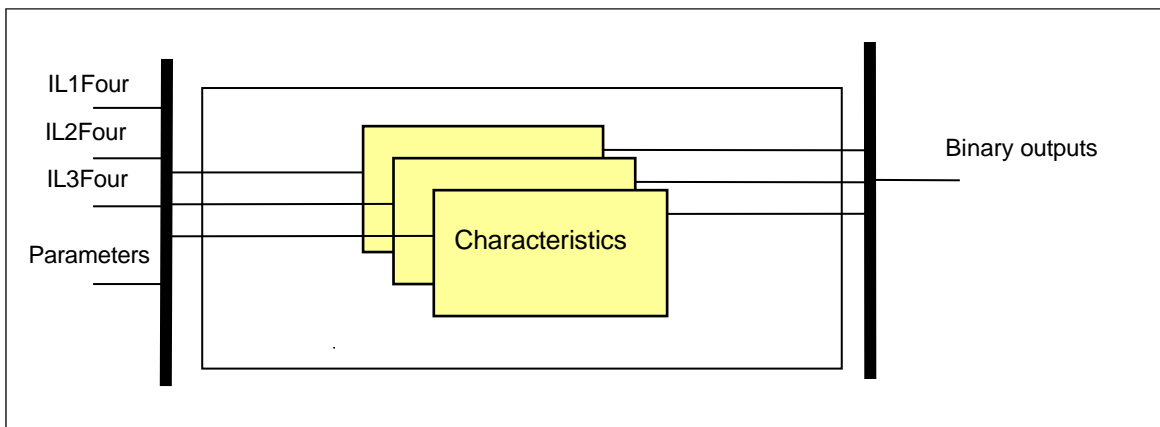


Figure 1-3 Schema of the characteristic calculation

The inverse type characteristics are also presented graphically on the following pages. These diagrams assume 100% setting value for the Start current parameter (GS), 1 for the Time multiplier (TMS) and 0 for the Min. time delay.

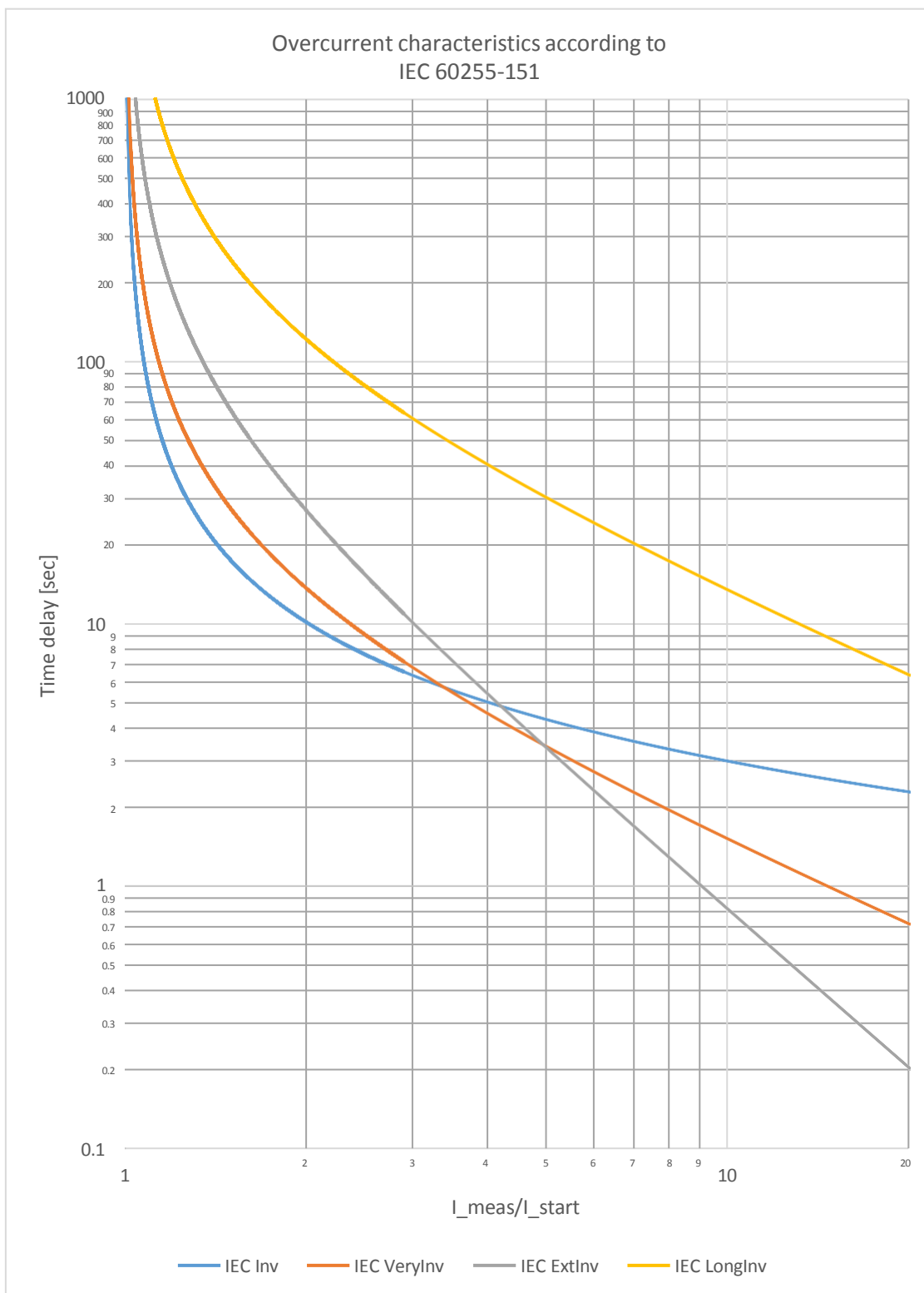


Figure 1-4 Overcurrent characteristics according to IEC 60255-151

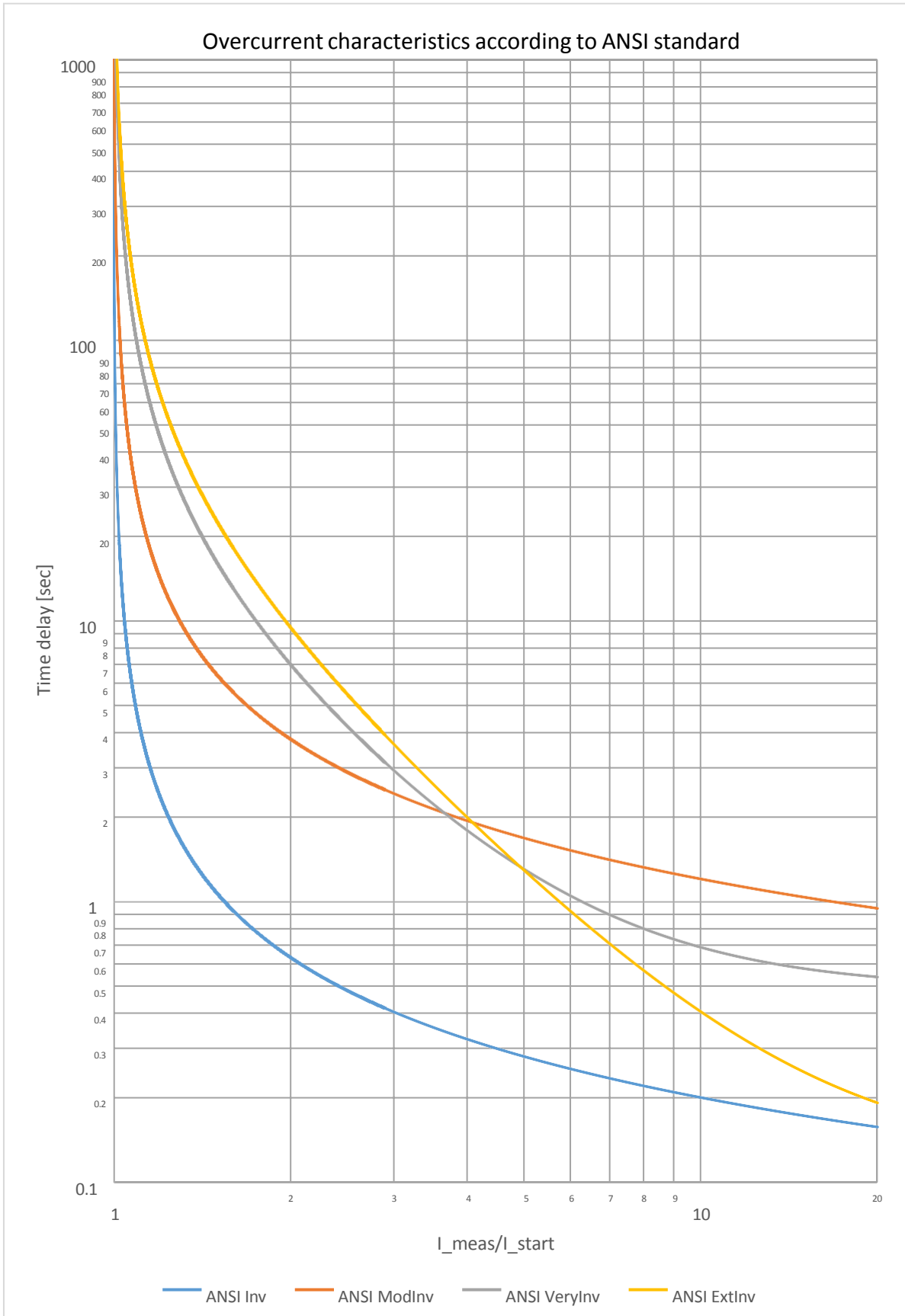


Figure 1-5 Overcurrent characteristics according to ANSI standard

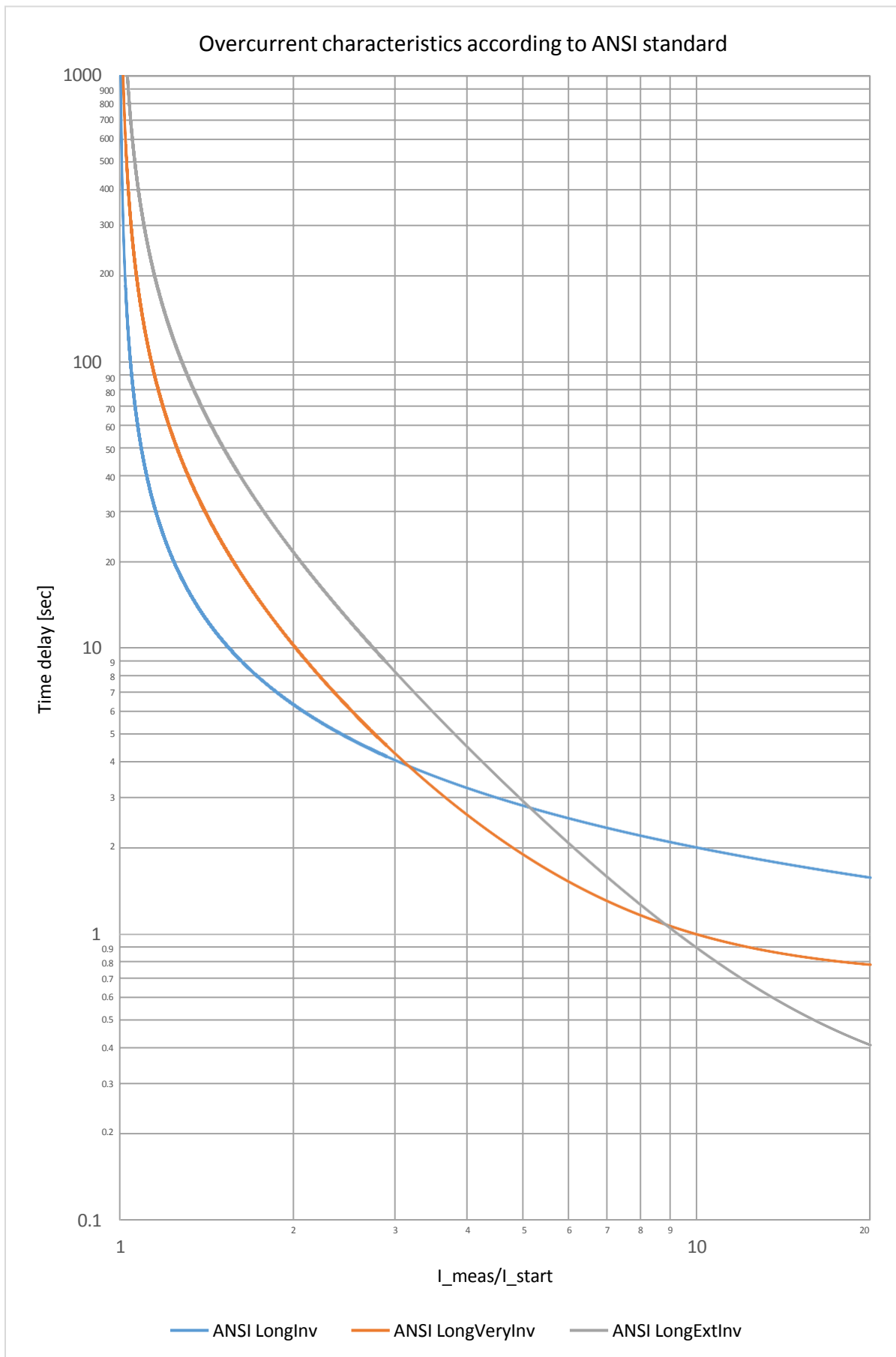


Figure 1-6 Overcurrent characteristics according to ANSI standard

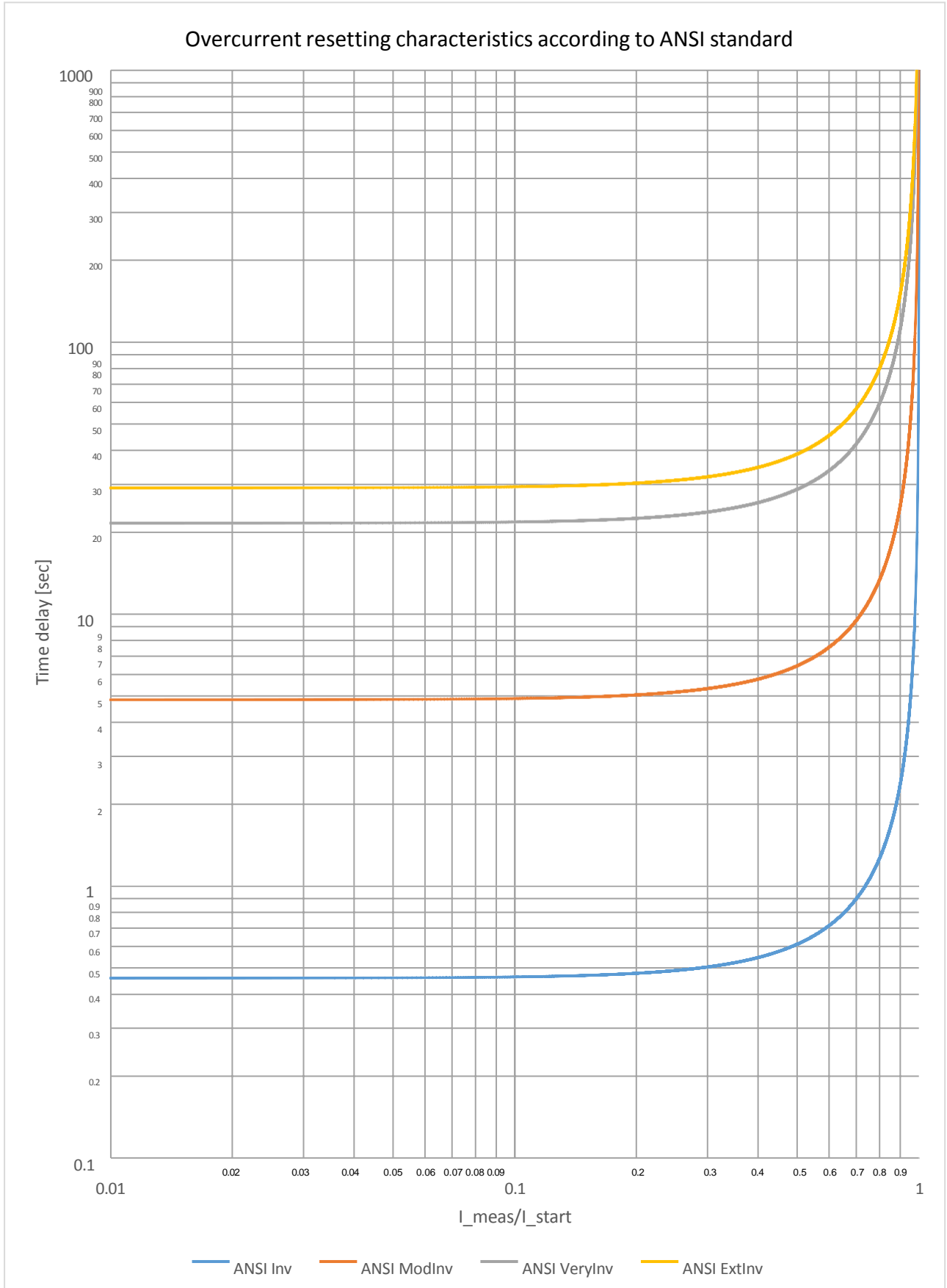


Figure 1-7 Overcurrent resetting characteristics according to ANSI standard

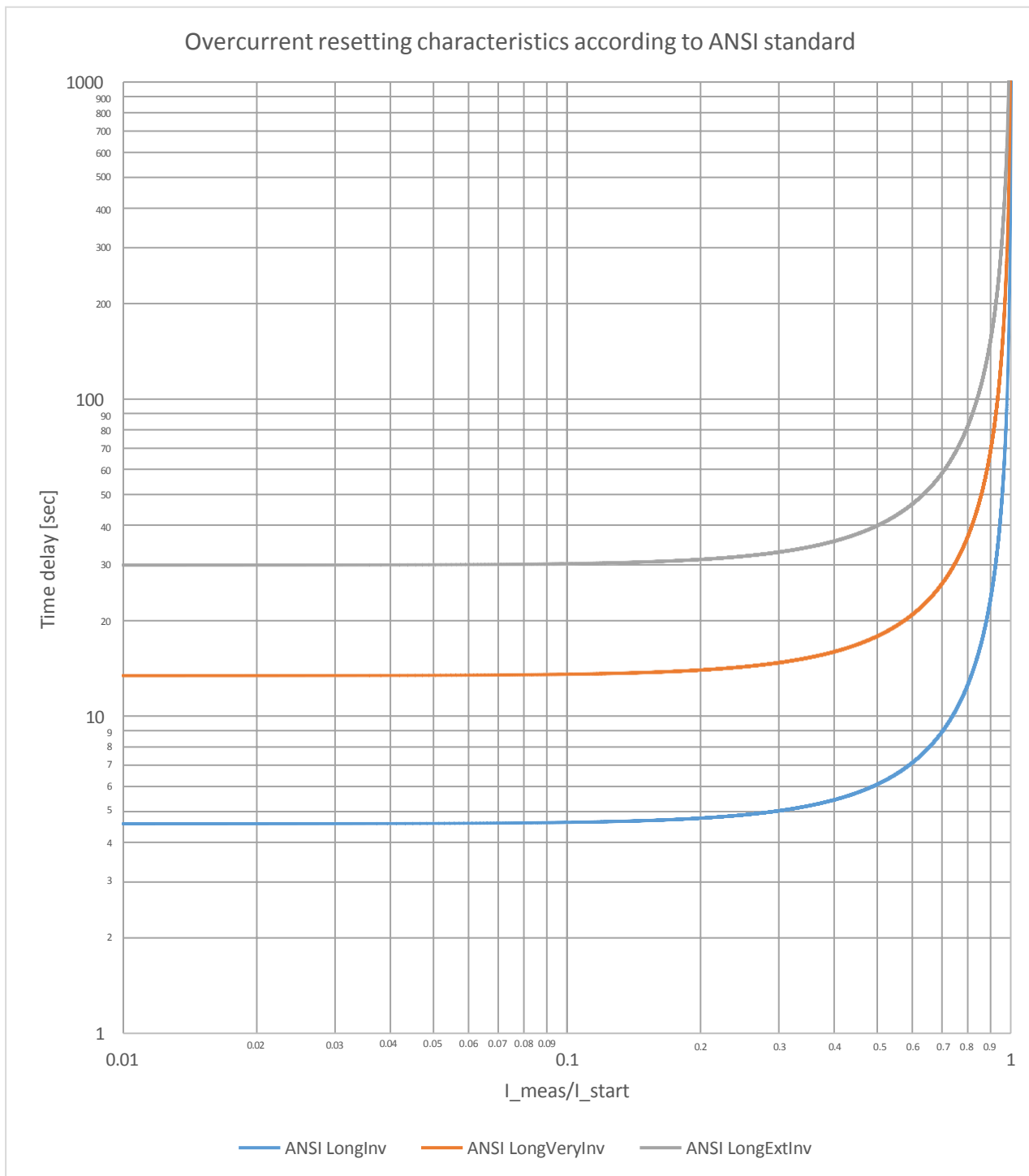


Figure 1-8 Overcurrent resetting characteristics according to ANSI standard

3.1.12.1.4. The decision logic (Decision logic)

The decision logic module combines the status signals to generate the general start signal and general trip command of the function.

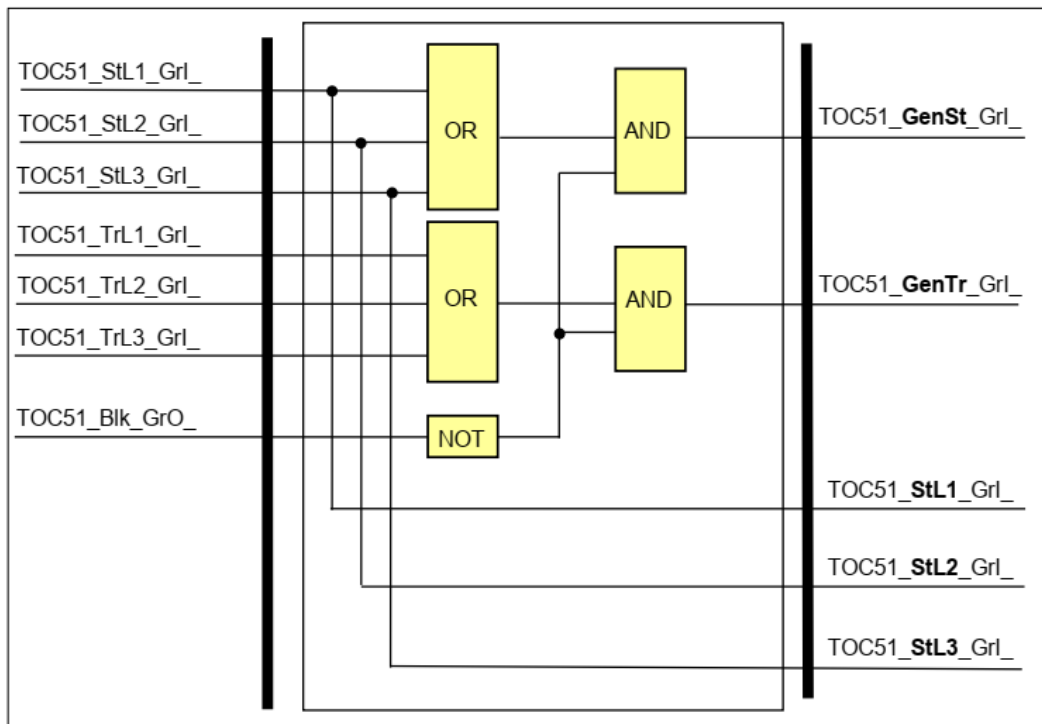
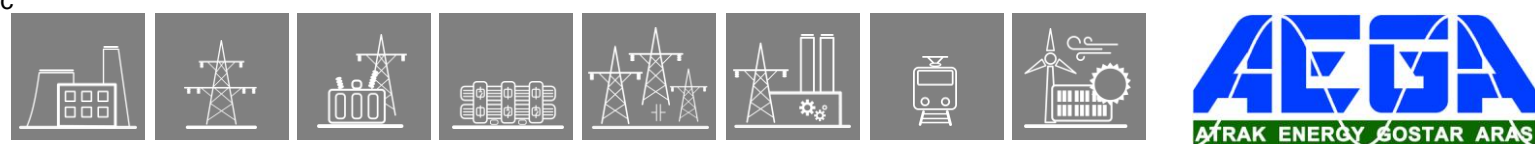


Figure 1-9 The logic scheme of the overcurrent protection function

Table 1-3 The binary input status signals of the overcurrent protection function

BINARY INPUT SIGNALS	SIGNAL TITLE	EXPLANATION
TOC51_StL1_Grl_	Start L1	Starting of the function in phase L1
TOC51_TrL1_Grl_	Trip L1	Trip command of the function in phase L1
TOC51_StL2_Grl_	Start L2	Starting of the function in phase L2
TOC51_TrL2_Grl_	Trip L2	Trip command of the function in phase L2
TOC51_StL3_Grl_	Start L3	Starting of the function in phase L3
TOC51_TrL3_Grl_	Trip L3	Trip command of the function in phase L3



Binary status signals

The overcurrent protection function has a binary input signal, which serves the purpose of disabling the function. **The conditions of disabling are defined by the user, applying the graphic equation editor.**

Table 1-4 The binary input signal of the overcurrent protection function

BINARY STATUS SIGNAL	EXPLANATION
TOC51_Blk_GrO_	Output status of a graphic equation defined by the user to disable the overcurrent protection function.

Table 1-5 The binary output status signals of the overcurrent protection function

BINARY OUTPUT SIGNALS	SIGNAL TITLE	EXPLANATION
TOC51_StL1_Grl_	Start L1	Starting of the function in phase L1
TOC51_StL2_Grl_	Start L2	Starting of the function in phase L2
TOC51_StL3_Grl_	Start L3	Starting of the function in phase L3
TOC51_GenSt_Grl_	Gen. Start	General starting of the function
TOC51_GenTr_Grl_	Gen. Trip	General trip command of the function

3.1.12.2. 3ph overcurrent protection function overview

The function block of the three-phase overcurrent protection function is shown in Figure 2-1. This block shows all binary input and output status signals that are applicable in the graphic equation editor.

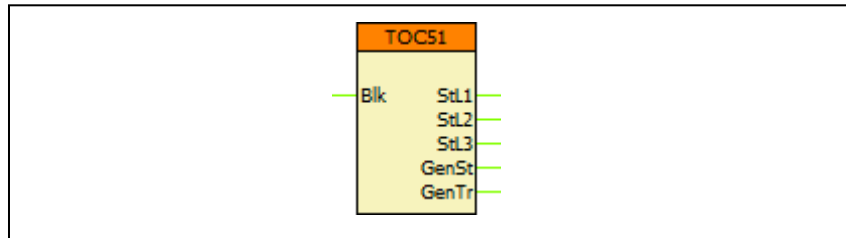


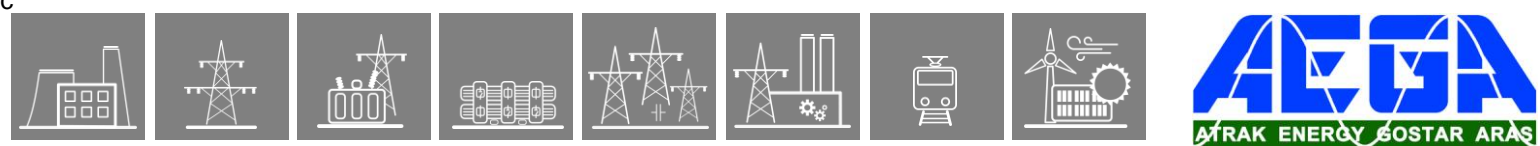
Figure 2-1 The function block of the overcurrent protection function

3.1.12.2.1. Settings

3.1.12.2.1.1. Parameters

Table 2-1 Parameters of the 3ph overcurrent protection function

TITLE	DIM	RANGE	STEP	DEFAULT	EXPLANATION
Operation	-	Off, Definite Time, IEC Inv, IEC VeryInv, IEC ExtInv, IEC LongInv, ANSI Inv, ANSI ModInv, ANSI VeryInv, ANSI ExtInv, ANSI LongInv, ANSI LongVeryInv, ANSI LongExtInv	-	Off	Enabling the function by choosing the characteristics.
Start Current	%	10 – 3000	1	200	Starting current of the function.
Time Multiplier	-	0.05 – 15.0	0.01	200	Time multiplier of the inverse characteristics (OC module)
Min Time Delay	msec	40 – 60000	1	100	Minimal time delay for the inverse characteristics
Definite Time Delay	msec	40 – 60000	1	100	Time delay setting for the definite time characteristics
Reset Time	msec	60 – 60000	1	100	Reset time for the IEC inverse characteristics



3.1.12.2.2. Function I/O

This section describes briefly the analogue and digital inputs and outputs of the function block.

3.1.12.2.2.1. Analogue inputs

The function uses the sampled values of the three phase currents.

3.1.12.2.2.2. Binary output signals (graphed input statuses)

The **binary output status signals** of the three-phase overcurrent protection function are listed in Table 2-2. **Parts** written in **bold** are seen on the function block in the logic editor.

Table 2-2 The binary output status signals of the 3ph overcurrent protection function

BINARY OUTPUT SIGNALS	SIGNAL TITLE	EXPLANATION
TOC51_ StL1 _Grl_	Start L1	Starting of the function in phase L1
TOC51_TrL1_Grl_	Trip L1	Trip command of the function in phase L1
TOC51_ StL2 _Grl_	Start L2	Starting of the function in phase L2
TOC51_TrL2_Grl_	Trip L2	Trip command of the function in phase L2
TOC51_ StL3 _Grl_	Start L3	Starting of the function in phase L3
TOC51_TrL3_Grl_	Trip L3	Trip command of the function in phase L3
TOC51_ GenSt _Grl_	General Start	General start of the function
TOC51_ GenTr _Grl_	General Trip	General trip command of the function

3.1.12.2.2.3. Binary input signals (graphed output statuses)

The overcurrent protection function has a binary input signal, which serves the purpose of disabling the function. **The conditions of disabling are defined by the user, applying the graphic equation editor.**

Table 2-3 The binary input status signals of the 3ph overcurrent protection function

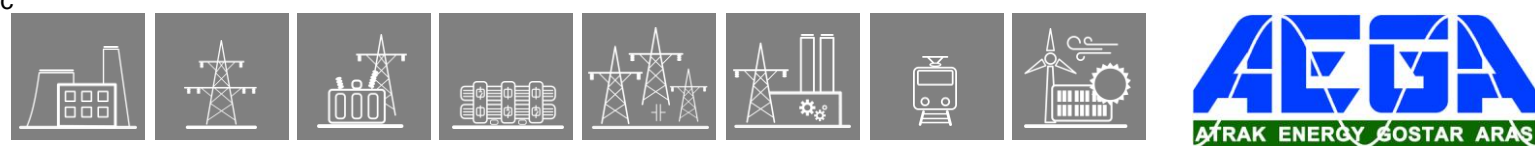
BINARY INPUT SIGNAL	EXPLANATION
TOC51_ BIk _GrO_	Output status of a graphic equation defined by the user to disable the overcurrent protection function.

3.1.12.2.2.4. On-line data

Visible values on the on-line data page:

Table 2-4 On-line data of the 3ph overcurrent protection function

SIGNAL TITLE	DIMENSION	EXPLANATION
Start L1	-	Starting of the function in phase L1
Trip L1	-	Trip command of the function in phase L1
Start L2	-	Starting of the function in phase L2
Trip L2	-	Trip command of the function in phase L2
Start L3	-	Starting of the function in phase L3
Trip L3	-	Trip command of the function in phase L3
General Start	-	General start of the function
General Trip	-	General trip command of the function



3.1.12.2.2.5. Events

The following events are generated in the event list, as well as sent to SCADA according to the configuration.

Table 2-5 Events of the 3ph overcurrent protection function

EVENT	VALUE	EXPLANATION
Start L1	off, on	Start of the three-phase overcurrent protection function in measuring element L1
Start L2	off, on	Start of the three-phase overcurrent protection function in measuring element L2
Start L3	off, on	Start of the three-phase overcurrent protection function in measuring element L3
General Start	off, on	General start of the three-phase overcurrent protection function
General Trip	off, on	General trip command of the three-phase overcurrent protection function

3.1.13. Residual overcurrent protection function

The residual overcurrent protection function can realize definite time or inverse time characteristics according to IEC or IEEE standards, based on the RMS value of the fundamental Fourier component of a single measured current, which can be the measured residual current at the neutral point ($3I_0$) or the calculated zero sequence current component. The characteristics are harmonized with IEC 60255-151, Edition 1.0, 2009-08.

3.1.13.1. Operating characteristics

3.1.13.1.1. Independent time characteristic

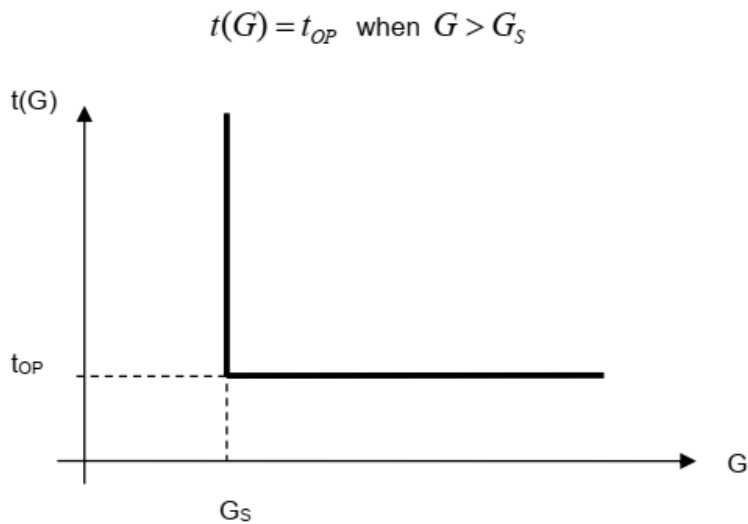


Figure 1-1 Overcurrent independent time characteristic

where	
t_{OP} (seconds)	theoretical operating time if $G > G_s$, fix, according to the preset parameter,
G	measured value of the characteristic quantity, Fourier base harmonic of the residual current,
G_s	preset value of the characteristic quantity (TOC51N_StCurr_IPar_, Start current).

3.1.13.1.2. Standard dependent time characteristics

Operating characteristics:

$$t(G) = TMS \left[\frac{k_r}{\left(\frac{G}{G_s}\right)^\alpha - 1} + c \right] \text{ when } G > G_s$$

where
 t(G)(seconds) theoretical operate time with constant value of G,
 k_r, c constants characterizing the selected curve (in seconds),
 α constant characterizing the selected curve (no dimension),
 G measured value of the characteristic quantity, Fourier base harmonic
 of the residual current (INFour),
 G_s preset value of the characteristic quantity (TOC51N_StCurr_IPar_
 Start current),
 TMS preset time multiplier (no dimension).

	IEC ref		k _r	c	α
1	A	IEC Inv	0,14	0	0,02
2	B	IEC VeryInv	13,5	0	1
3	C	IEC ExtInv	80	0	2
4		IEC LongInv	120	0	1
5		ANSI Inv	0,0086	0,0185	0,02
6	D	ANSI ModInv	0,0515	0,1140	0,02
7	E	ANSI VeryInv	19,61	0,491	2
8	F	ANSI ExtInv	28,2	0,1217	2
9		ANSI LongInv	0,086	0,185	0,02
10		ANSI LongVeryInv	28,55	0,712	2
11		ANSI LongExtInv	64,07	0,250	2

Table 1-1 The constants of the standard dependent time characteristics

Resetting characteristics:

$$t_r(G) = TMS \left[\frac{k_r}{1 - \left(\frac{G}{G_s}\right)^\alpha} \right] \text{ when } G < G_s$$

where

$t_r(G)$ (seconds)

k_r

α

G

G_s

TMS

theoretical reset time with constant value of G ,

constants characterizing the selected curve (in seconds),

constant characterizing the selected curve (no dimension),

measured value of the characteristic quantity, Fourier base harmonic of the residual current,

preset value of the characteristic quantity (TOC51N_StCurr_IPar_, Start current),

preset time multiplier (no dimension).

	IEC ref		k_r	α
1	A	IEC Inv	Resetting after fix time delay, according to preset parameter TOC51N_Reset_TPar_ "Reset delay"	
2	B	IEC VeryInv		
3	C	IEC ExtInv		
4		IEC LongInv		
5		ANSI Inv	0,46	2
6	D	ANSI ModInv	4,85	2
7	E	ANSI VeryInv	21,6	2
8	F	ANSI ExtInv	29,1	2
9		ANSI LongInv	4,6	2
10		ANSI LongVeryInv	13,46	2
11		ANSI LongExtInv	30	2

Table 1-2 The resetting constants of the standard dependent time characteristics

The inverse type characteristics are also combined with a minimum time delay, the value of which is set by user parameter TOC51N_MinDel_TPar_ (Min. Time Delay).

The end of the effective range of the dependent time characteristics (G_D) is:

$$G_D = 20 * G_s$$

Above this value the theoretical operating time is definite:

$$t(G) = TMS \left[\frac{k_r}{\left(\frac{G_D}{G_s}\right)^\alpha - 1} + c \right] \text{ when } G > G_D = 20 * G_s$$

The combined logic requires expiry both the time defined by the inverse characteristic with the definite section AND the expiry of the minimum time defined by the "Min. Time Delay" parameter.

The inverse characteristic is valid above $G_T = 1,1 * G_s$. Above this value the function is guaranteed to operate.

3.1.13.2. Structure of the residual overcurrent protection algorithm

Fig.1-2 shows the structure of the residual overcurrent protection (TOC51N) algorithm.

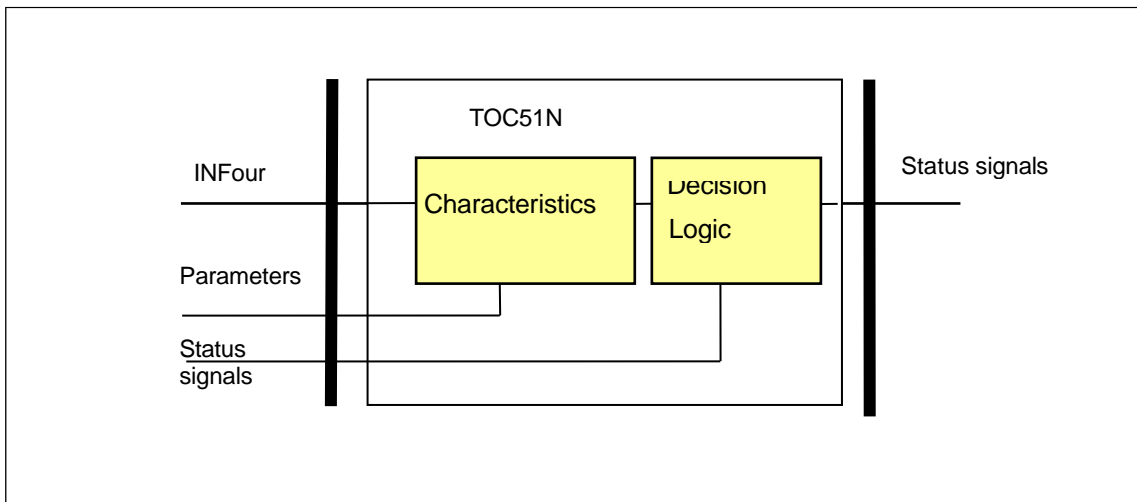


Figure 1-2 Structure of the residual overcurrent protection algorithm

The **inputs** are

- the RMS value of the fundamental Fourier component of the residual current ($I_{N=3I_0}$),
- parameters,
- status signals.

The **outputs** are

- the binary output status signals.

The **software modules** of the residual overcurrent protection function:

Characteristics

This module calculates the required time delay based on the RMS value of the fundamental Fourier component of the residual current.

Decision logic

The decision logic module combines the status signals to generate the trip command of the function.

The following description explains the details of the individual components.

3.1.13.3. The definite time and the inverse type characteristics

This module calculates the required time delay based on the Fourier components of the residual current. The formulas applied are described in Chapter 1.1.

The **inputs** are the basic Fourier components of the residual current (INFour) and parameters.

The **outputs** are the internal status signals of the function. These indicate the started state and the generated trip command if the time delay determined by the characteristics expired.

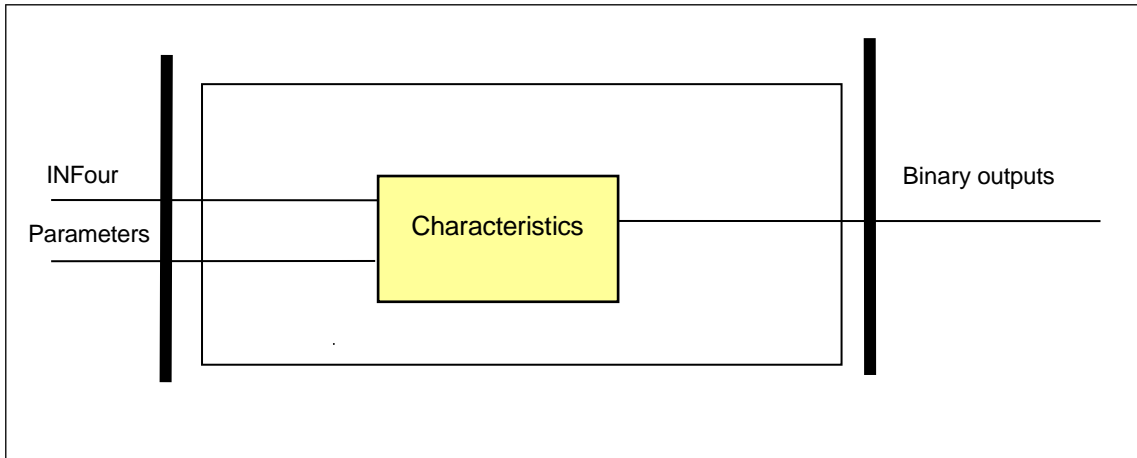


Figure 1-3 Schema of the characteristic calculation

Enumerated parameter

Parameter name	Title	Selection range	Default
Parameter for type selection			
TOC51N_Oper_EPar_	Operation	Off, DefinitTime, IEC Inv, IEC VeryInv, IEC ExtInv, IEC LongInv, ANSI Inv, ANSI ModInv, ANSI VeryInv, ANSI ExtInv, ANSI LongInv, ANSI LongVeryInv, ANSI LongExtInv	Off

Table 1-3 The enumerated parameters of the residual overcurrent protection function

Integer parameters

Parameter name	Title	Unit	Min	Max	Step	Default
Starting current parameter:						
TOC51N_StCurr_IPar_	Start Current *	%	10	1000	1	50
TOC51N_StCurr_IPar_	Start Current **	%	5	1000	1	50

* In = 1 A or 5 A

** In = 200 mA or 1 A

Table 1-4 The integer parameters of the residual overcurrent protection function

Float parameter

Parameter name	Title	Unit	Min	Max	Step	Default
Time multiplier of the inverse characteristics (OC module)						
TOC51N_Multip_FPar_	Time Multiplier		0.05	15	0.01	1.0

Table 1-5 Float parameter of the OC function block

Timer parameters

Parameter name	Title	Unit	Min	Max	Step	Default
Minimal time delay for the inverse characteristics:						
TOC51N_MinDel_TPar_	Min Time Delay *	msec	40	60000	1	100
Definite time delay:						
TOC51N_DefDel_TPar_	Definite Time Delay **	msec	40	60000	1	100
Reset time delay for the inverse characteristics:						
TOC51N_Reset_TPar_	Reset Time*	msec	60	60000	1	100

*Valid for inverse type characteristics only

**Valid for definite type characteristics only

Table 1-6 Timer parameters of the residual overcurrent protection function

The **binary output status signals** of the residual overcurrent protection function are listed in [Table 1-7](#).

Binary output signals	Signal title	Explanation
TOC51N_St_Grl_	Start L1	Starting of the function
TOC51N_Tr_Grl_	Trip L1	Trip command of the function

Table 1-7 The binary output status signals of the residual overcurrent protection function

3.1.13.4. The decision logic (Decision logic)

The decision logic module combines the status signals to generate the trip command of the function.

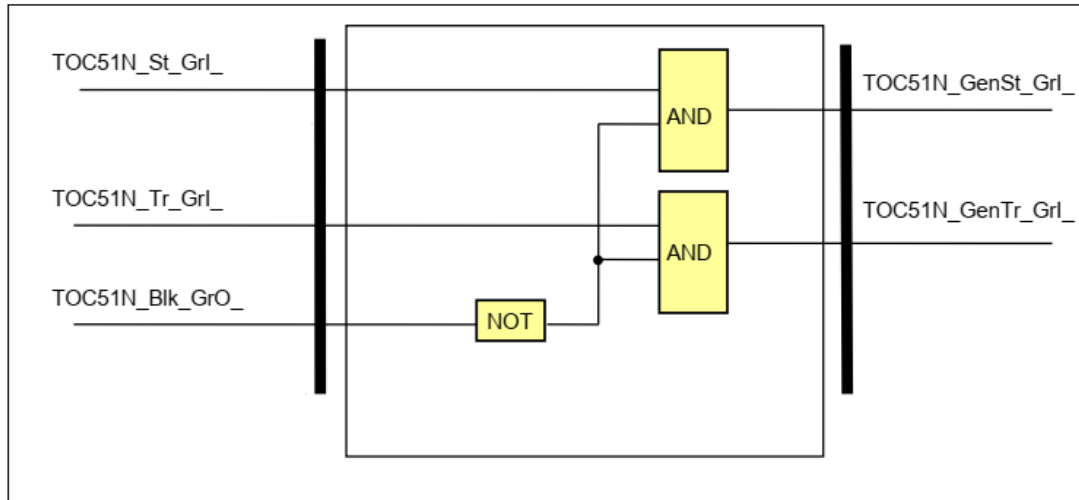


Figure 1-4 The (simplified) logic scheme of the residual overcurrent protection function

Binary input signals	Signal title	Explanation
TOC51N_St_Grl_	Start	Starting of the function
TOC51N_Tr_Grl_	Trip	Trip command of the function

Table 1-8 The binary input status signals of the residual overcurrent protection function

Binary status signals

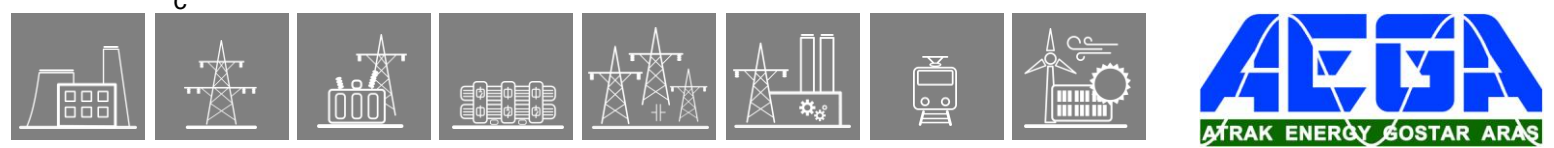
The residual overcurrent protection function has a binary input signal, which serves the purpose of disabling the function. **The conditions of disabling are defined by the user, applying the graphic equation editor.**

Binary status signal	Explanation
TOC51N_Blk_GrO_	Output status of a graphic equation defined by the user to disable the residual overcurrent protection function.

Table 1-9 The binary input signal of the residual overcurrent protection function

Binary output signals	Signal title	Explanation
TOC51N_GenSt_Grl_	General Start	General starting of the function
TOC51N_GenTr_Grl_	General Trip	General trip command of the function

Table 1-10 The binary output status signals of the residual overcurrent protection function



3.1.13.5. Technical summary

3.1.13.5.1. Technical data

Function	Value	Accuracy
Operating accuracy *	$20 \leq G_s \leq 1000$	< 3 %
Operate time accuracy		$\pm 5\%$ or ± 15 ms, whichever is greater
Reset ratio	0,95	
Reset time * Dependent time char. Definite time char.	Approx 60 ms	< 5% or ± 35 ms, whichever is greater
Transient overreach		2 %
Pickup time	≤ 40 ms	
Overshot time Dependent time char. Definite time char.	30 ms 50 ms	
Influence of time varying value of the input current (IEC 60255-151)		< 4 %

* Measured in version $I_n = 200$ mA

Table 1-11 Technical data of the residual overcurrent protection function

3.1.13.5.2. The parameters

The parameters are summarized in Chapter [1.3](#).

3.1.13.5.3. The binary input status signals

Binary input signal

The residual overcurrent protection function has a binary input signal, which serves the purpose of disabling the function. **The conditions of disabling are defined by the user, applying the graphic equation editor.**

Binary input signal	Explanation
TOC51N_Blk_GrO_	Output status of a graphic equation defined by the user to disable the residual overcurrent protection function.

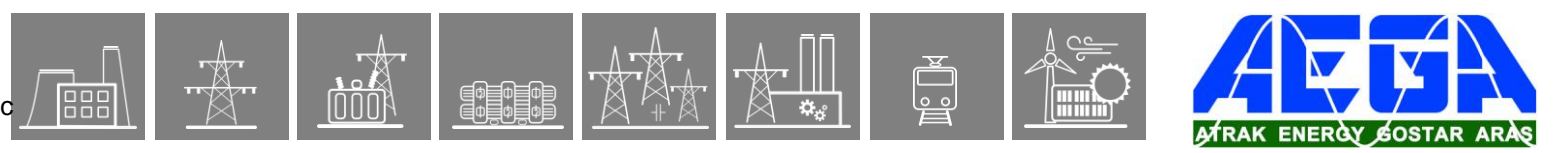
Table 1-12 The binary input signal of the residual overcurrent protection function

3.1.13.5.4. The binary output status signals

The **binary output status signals** of the residual overcurrent protection function are listed in Table 1-13.

Binary output signals	Signal title	Explanation
TOC51N_GenSt_Grl_	General Start	General starting of the function
TOC51N_GenTr_Grl_	General Trip	General trip command of the function

Table 1-13 The binary output status signals of the residual overcurrent protection function



3.1.13.5.5. The function block

The function block of the residual overcurrent protection function is shown in [Figure 1-5](#). This block shows all binary input and output status signals that are applicable in the graphic equation editor.

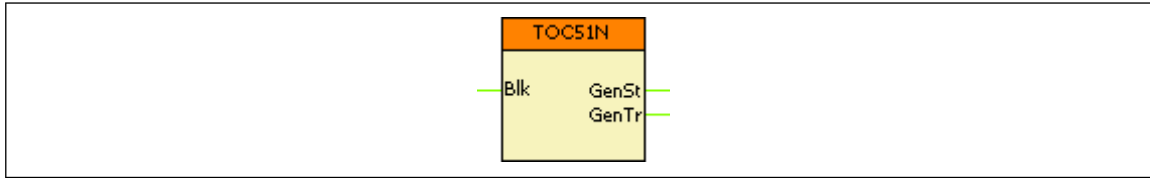


Figure 1-5 The function block of the residual overcurrent protection function

3.1.14. Definite time overvoltage protection function

3.1.14.1. Application

The definite time overvoltage protection function measures three voltages. If any of them is above the level defined by parameter setting, then a start signal is generated for the phases individually.

3.1.14.2. Mode of operation

The function generates start signals for the phases individually. The general start signal is generated if the voltage in any of the three measured voltages is above the level defined by parameter setting value.

Note that in medium voltage applications the function uses the phase-to-phase voltages by default.

The function generates a trip command only if the time delay has expired and the parameter selection requires a trip command as well.

3.1.14.3. Operating characteristics

$$t(G) = t_{OP} \text{ when } G > G_S$$

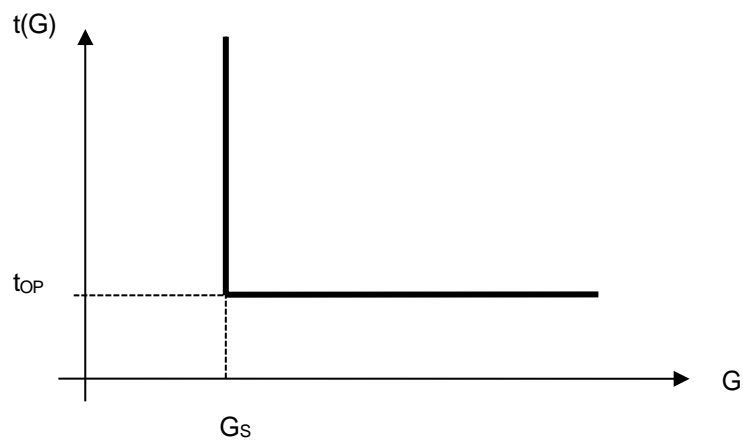


Figure 1-1 Overvoltage definite time characteristic

where	
t_{OP} (seconds)	theoretical operating time if $G > G_S$, fix, according to the parameter setting,
G	measured value of the characteristic quantity, Fourier base harmonic of the phase voltages (or phase-to-phase voltages),
G_S	setting value of the characteristic quantity.

3.1.14.4. Structure of the definite time overvoltage protection algorithm

Fig.1-2 shows the structure of the definite time overvoltage protection (TOV59) algorithm.

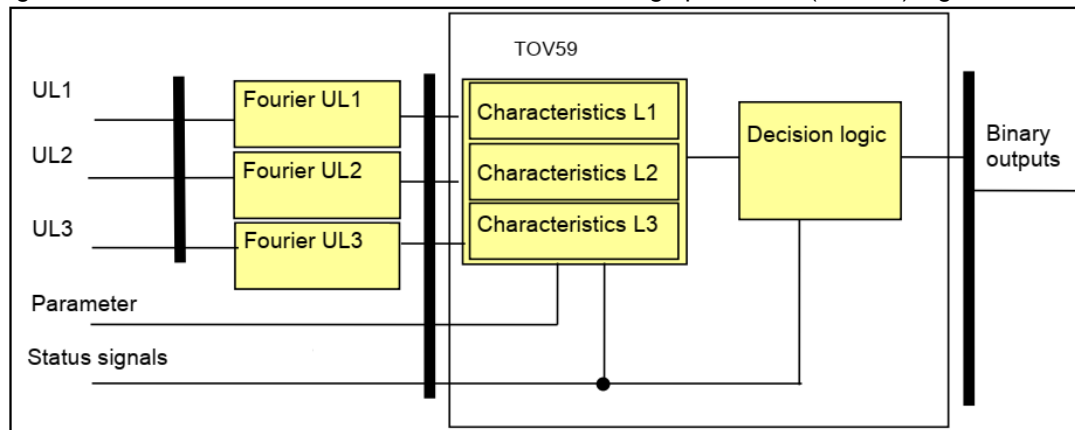


Figure 1-2 Structure of the definite time overvoltage protection algorithm

The **inputs** are

- the RMS values of the fundamental Fourier component of three phase voltages,
- parameters,
- status signals.

The **outputs** are

- the binary output status signals.

The **software modules** of the definite time overvoltage protection function:

Fourier calculations

These modules calculate the basic Fourier components of the phase voltages individually (not part of the TOV59 function). In medium voltage applications these are changed to phase-to-phase voltages.

Characteristics

This module calculates the required time delay based on the Fourier components of the phase (or phase-to-phase) voltages.

Decision logic

The decision logic module combines the status signals to generate the trip command of the function.

The following description explains the details of the individual components.

C

3.1.14.5. The Fourier calculation (Fourier)

These modules calculate the basic Fourier components of the phase voltages individually. They are not part of the TOV59 function; they belong to the preparatory phase.

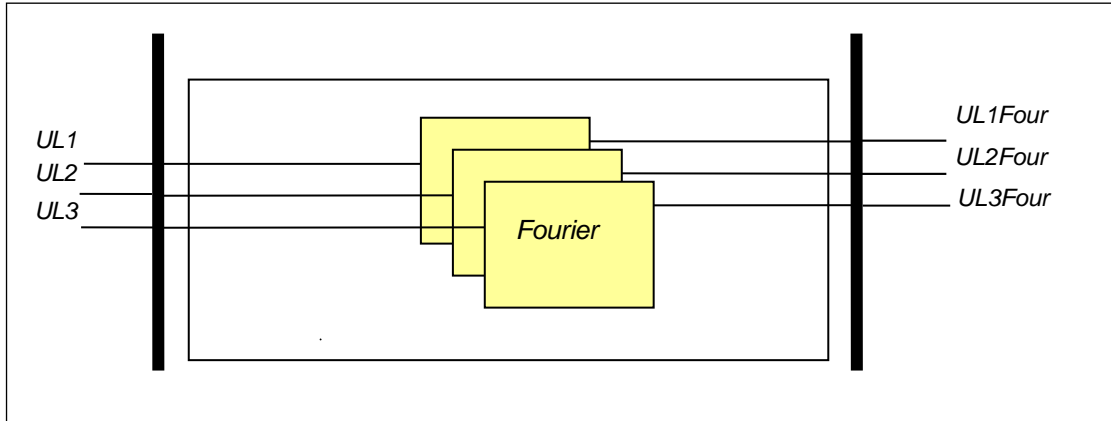


Figure 1-3 Schema of the Fourier calculation

The **inputs** are the sampled values of the three phase voltages (UL1, UL2, UL3)

The **outputs** are the RMS values of the basic Fourier components of the analyzed voltages (UL1Four, UL2Four, UL3Four).

The phase-to-phase voltages (if used) are also calculated here.

C

3.1.14.6. The definite time characteristics (Characteristics)

This module decides the stating of the function based on the Fourier components of the phase voltages and it counts the time delay. The time delay is defined by the parameter setting, if the voltages are above the setting value.

The **inputs** are the RMS values of the basic Fourier components of the phase (or the calculated phase-to-phase) voltages (UL1Four, UL2Four, UL3Four) and parameters.

The **outputs** are the status signals of the three phases individually. These indicate the started state and the generated trip command if the time delay determined by the setting is expired.

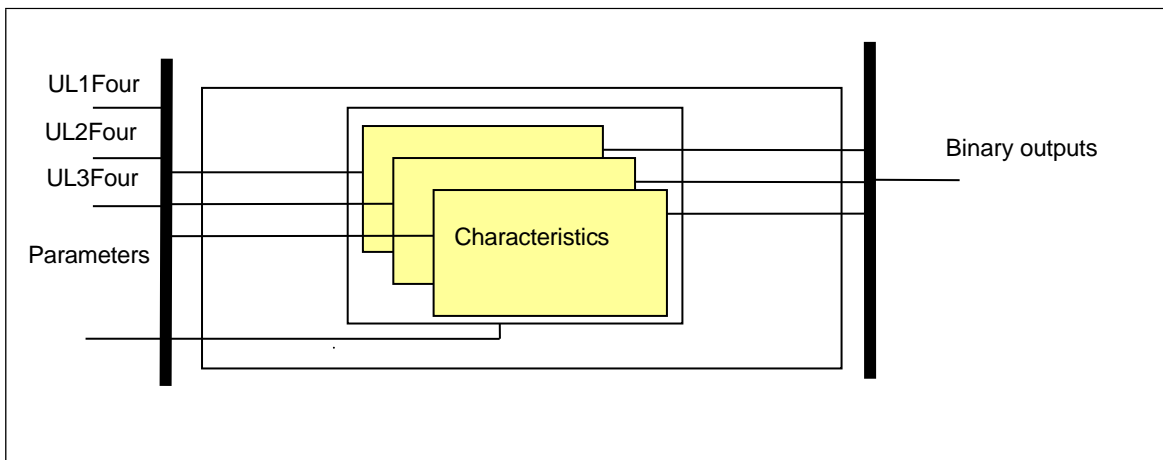


Figure 1-4 Schema of the definite time characteristic calculation

Enumerated parameter

Parameter name	Title	Selection range	Default
Enabling or disabling the overvoltage protection function			
TOV59_Oper_EPar_	Operation	Off, On	Off

Table 1-1 The enumerated parameter of the overvoltage protection function

Integer parameter

Parameter name	Title	Unit	Min	Max	Step	Default
Voltage level setting. If the measured voltage is above the setting value, the function generates a start signal.						
TOV59_StVol_IPar_	Start Voltage	%	30	130	1	110

Table 1-2 Integer parameter of the overvoltage protection function

Floating point parameter

Parameter name	Title	Unit	Min	Max	Step	Default
After starting the function drops off if the measured voltage is below the start voltage with at least this percentage.						
TOV59_ResetRatio_FPar_	Reset Ratio	%	1	10	1	5

Table 1-3 Floating point parameter of the overvoltage protection function

Boolean parameter

Parameter name	Title	Default	Explanation
TOV59_StOnly_BPar_	Start Signal Only	0	Selection if starting and trip signal or starting signal only is to be generated. Set 0 for trip command generation.

Table 1-4 The Boolean parameters of the overvoltage protection function

Timer parameter

Parameter name	Title	Unit	Min	Max	Step	Default
Time delay of the overvoltage protection function.						
TOV59_Delay_TPar_	Time Delay	ms	0	60000	1	100

Table 1-5 The timer parameter of the overvoltage protection function

The **binary output status signals** of the three-phase definite time overvoltage protection function are listed in *In case of phase-to-phase voltages, these are changed to L12, L23, L31 respectively.

**The trip signals are not published for the phases individually

Table 1-6 below.

Binary output status signal	Signal title	Explanation
TOV59_StL1_Grl_	StL1	Starting of the function in phase L1*
TOV59_TrL1_Grl_	TrL1**	Trip command of the function in phase L1*
TOV59_StL2_Grl_	StL2	Starting of the function in phase L2*
TOV59_TrL2_Grl_	TrL2**	Trip command of the function in phase L2*
TOV59_StL3_Grl_	StL3	Starting of the function in phase L3*
TOV59_TrL3_Grl_	TrL3**	Trip command of the function in phase L3*

*In case of phase-to-phase voltages, these are changed to L12, L23, L31 respectively.

**The trip signals are not published for the phases individually

Table 1-6 The binary output status signals of the definite time overvoltage protection function

C

3.1.14.7. The decision logic (Decision logic)

The decision logic module combines binary signals and Boolean parameters to generate the trip command of the function.

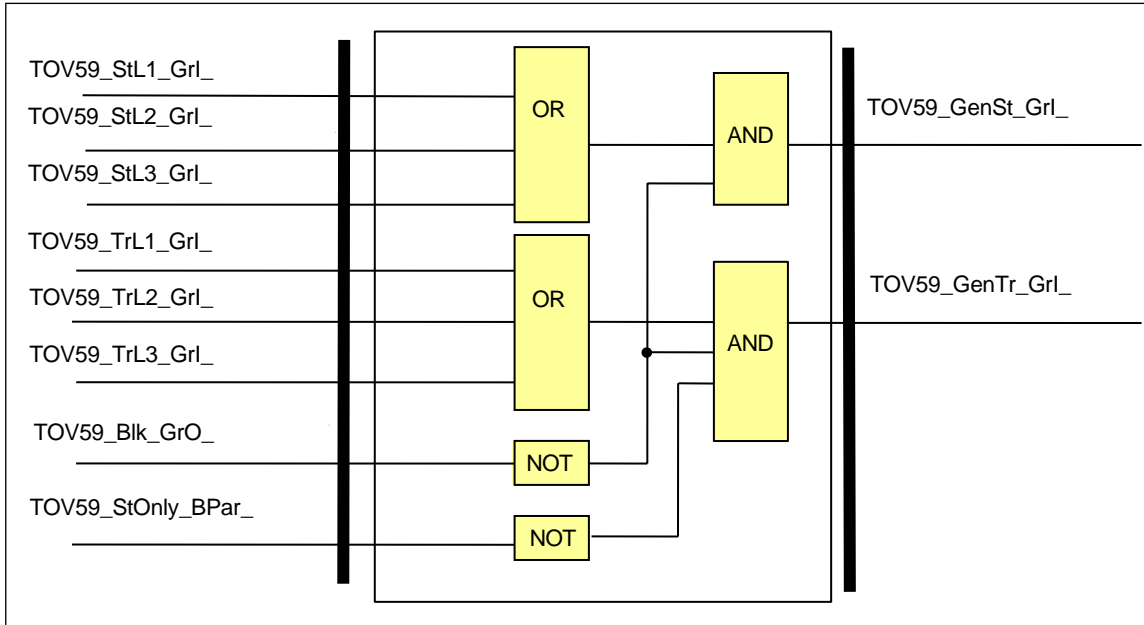


Figure 1-5 The decision logic scheme of the definite time overvoltage protection function

Binary input signal	Signal title	Explanation
TOV59_StL1_Grl_	StL1	Starting of the function in phase L1*
TOV59_TrL1_Grl_	TrL1**	Trip command of the function in phase L1*
TOV59_StL2_Grl_	StL2	Starting of the function in phase L2*
TOV59_TrL2_Grl_	TrL2**	Trip command of the function in phase L2*
TOV59_StL3_Grl_	StL3	Starting of the function in phase L3*
TOV59_TrL3_Grl_	TrL3**	Trip command of the function in phase L3*

*In case of phase-to-phase voltages, these are changed to L12, L23, L31 respectively.

**The trip signals are not published for the phases individually

Table 1-7 The binary input signals of the definite time overvoltage protection function

Boolean parameter

Parameter name	Title	Default
Enabling start signal only:		
TOV59_StOnly_BPar_	Start Signal Only	FALSE

Table 1-8 The Boolean parameter of the definite time overvoltage protection function

C

3.1.14.8. Technical summary

3.1.14.8.1. Technical data

Function	Value	Accuracy
Pick-up starting accuracy		< ± 0,5 %
Reset time U> → Un U> → 0	60 ms 50 ms	
Operate time accuracy		< ± 20 ms
Minimum operate time	50 ms	

Table 1-11 Technical data of the overvoltage protection function

3.1.14.8.2. Parameters

The parameters are summarized in Chapter 1.6 [Table 1-1](#), [Table 1-2](#), [Table 1-3](#), [Table 1-4](#), [Table 1-5](#).

3.1.14.8.3. Binary output status signals

The **binary output status signals** of overvoltage protection function are listed in [Table 1-12](#)
The binary output status signals of the overvoltage protection function

Binary status signal	Title	Explanation
TOV59_StL1_Grl_	StL1	Start in phase L1
TOV59_StL2_Grl_	StL2	Start in phase L2
TOV59_StL3_Grl_	StL3	Start in phase L3
TOV59_GenSt_Grl_	GenSt	General start signal
TOV59_GenTr_Grl_	GenTr	General trip command

Table 1-12 The binary output status signals of the overvoltage protection function

3.1.14.8.4. Binary input status signals

Binary input signals

The overvoltage protection function has a binary input signal, which serves the purpose of disabling the function. **The conditions of disabling are defined by the user, applying the graphic equation editor.**

Binary status signal	Title	Explanation
TOV59_BlK_GrO_	Blk	Blocking of the overvoltage protection function

Table 1-13 The binary input signal of the overvoltage protection function

3.1.14.8.5. The function block

The function block of the overvoltage protection function is shown in [Figure 1-6](#). This block shows all binary input and output status signals that are applicable in the graphic equation editor.

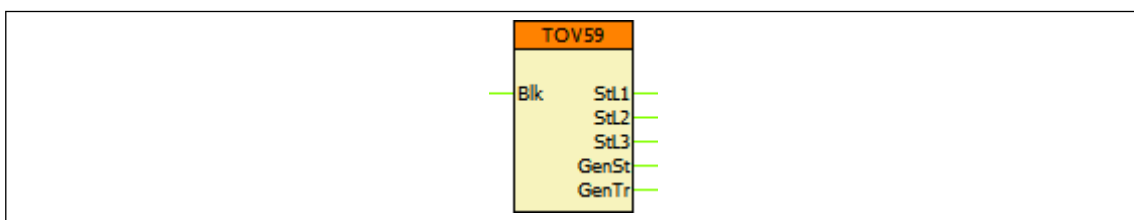


Figure 1-6 The function block of the overvoltage protection function

3.1.15.2. Structure of the residual definite time overvoltage protection algorithm

Fig.1-2 shows the structure of the residual definite time overvoltage protection (TOV59N) algorithm.

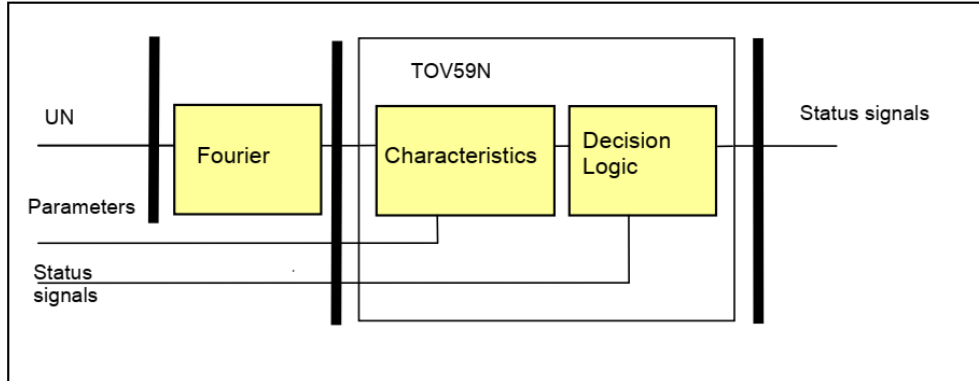


Figure 1-2 Structure of the definite time residual overvoltage protection algorithm

The **inputs** are

- the RMS values of the fundamental Fourier component of the residual or neutral voltage ($UN=3U_0$),
- parameters,
- status signals.

The **outputs** are

- the binary output status signals.

The **software modules** of the differential protection function:

Fourier calculations

These modules calculate the basic Fourier components of the residual voltage (not part of the TOV59 function).

Characteristics

This module calculates the required time delay based on the Fourier components of the residual voltage.

Decision logic

The decision logic module combines the status signals to generate the trip command of the function.

The following description explains the details of the individual components.

C

3.1.15.3. The Fourier calculation (Fourier)

This module calculates the RMS value of the fundamental Fourier component of the residual or neutral voltage ($UN=3U_0$). This module is not part of the TOV59N function; it belongs to the preparatory phase.

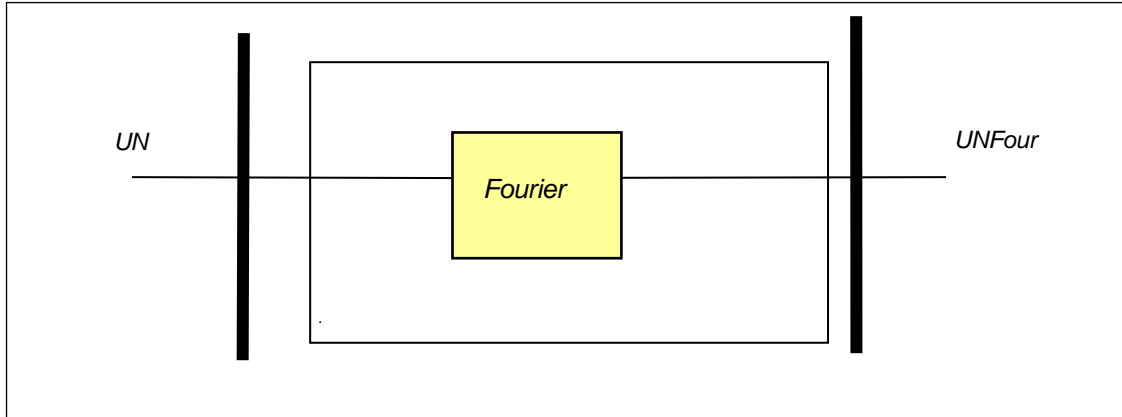


Figure 1-3 Schema of the Fourier calculation

The **input** is the sampled value of the residual voltage ($UN=3U_0$).

The **output** is the RMS value of the fundamental Fourier component of the residual or neutral voltage ($UNFour$).

3.1.15.4. The definite time characteristics (Characteristics)

This module decides the starting of the function and counts the required time delay based on the Fourier components of the residual voltage. The time delay is defined by the parameter setting value, if the voltage is above the voltage setting value.

The **inputs** are:

- the RMS value of the fundamental Fourier component of the residual or neutral voltage ($UNFour$),
- parameters.

The **outputs** are the status signals of the function. These indicate the started state of the function.

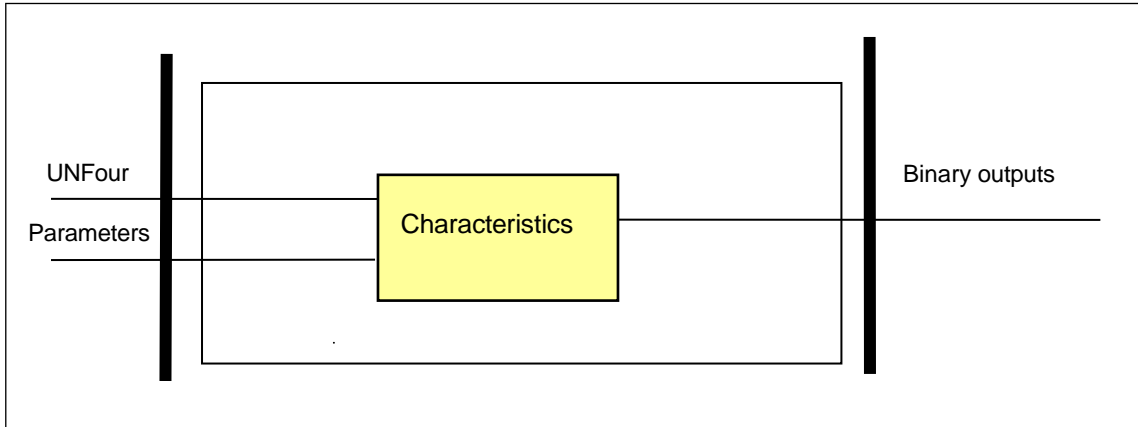


Figure 1-4 Schema of the residual definite time characteristic calculation

Enumerated parameter

Parameter name	Title	Selection range	Default
Parameter for enabling/disabling the function			
TOV59N_Oper_EPar_	Operation	Off, On	On

Table 1-1 The enumerated parameters of the residual definite time overvoltage protection function

Integer parameter

Parameter name	Title	Unit	Min	Max	Step	Default
Starting voltage parameter:						
TOV59N_StVol_IPar_	Start Voltage	%	2	60	1	30

Table 1-2 The integer parameters of the residual definite time overvoltage protection function

Timer parameter

Parameter name	Title	Unit	Min	Max	Step	Default
Definite time delay:						
TOV59N_Delay_TPar_	Time Delay	msec	0	60000	1	100

Table 1-3 Timer parameter of the residual definite time overvoltage protection function

The **binary output status signals** of the residual definite time overvoltage protection function are listed in Table 1-4.

Binary output signals	Signal title	Explanation
TOV59N_St_Grl_	Start L1	Starting of the function
TOV59N_Tr_Grl_	Trip L1	Trip command of the function

Table 1-4 The binary output status signals of the residual definite time overvoltage protection function

C

3.1.15.5. The decision logic (Decision logic)

The decision logic module combines the status signals, binary and enumerated parameters to generate the trip command of the function.

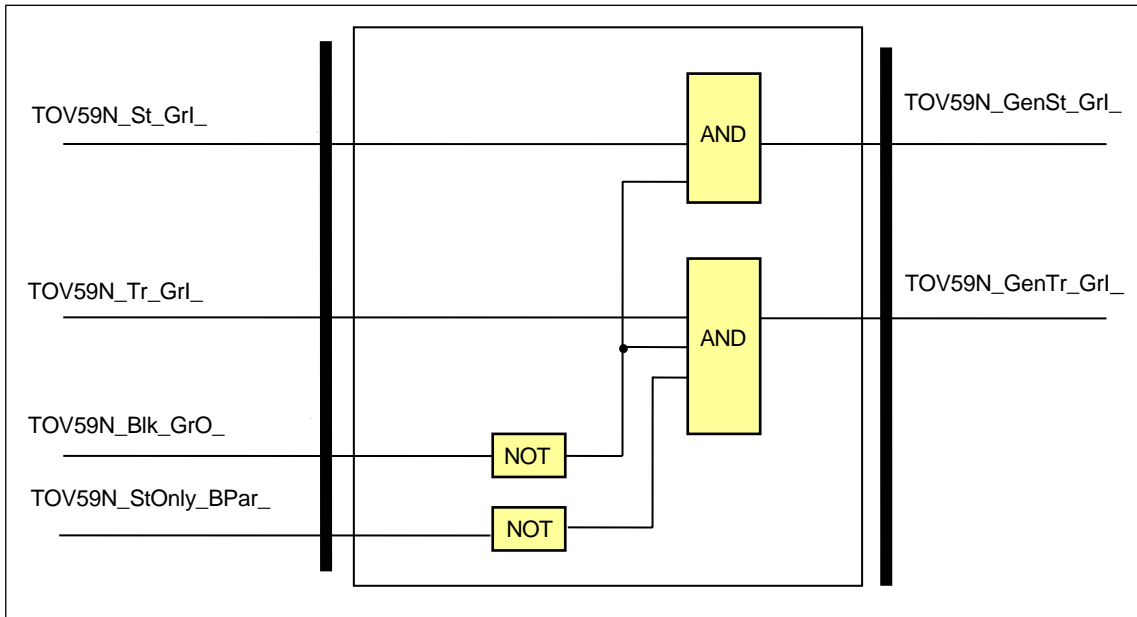


Figure 1-5 The logic scheme of the residual definite time overvoltage protection function

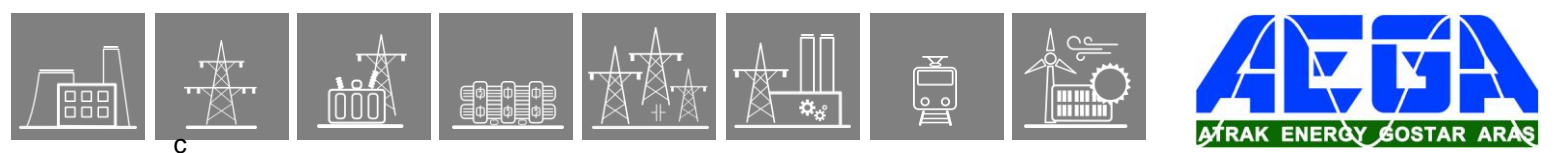
Binary input signals	Signal title	Explanation
TOV59N_St_Grl_	Start L1	Starting of the function
TOV59N_Tr_Grl_	Trip L1	Trip command of the function

Table 1-5 The binary input status signals of the decision logic scheme for the residual definite time overvoltage protection function

Boolean parameter

Parameter name	Title	Default
Enabling start signal only:		
TOV59N_StOnly_BPar_	Start Signal Only	FALSE

Table 1-6 The Boolean parameter of the residual definite time overvoltage protection function



C

Binary status signals

The overvoltage protection function has a binary input signal, which serves the purpose of disabling the function. **The conditions of disabling are defined by the user, applying the graphic equation editor.**

Binary status signal	Explanation
TOV59N_Blk_GrO_	Output status of a graphic equation defined by the user to disable the residual definite time overvoltage protection function.

Table 1-7 The binary input signal of the residual definite time overvoltage protection function

Binary output signals	Signal title	Explanation
TOV59N_GenSt_Grl_	General Start	General starting of the function
TOV59N_GenTr_Grl_	General Trip	General trip command of the function

Table 1-8 The binary output status signals of the residual definite time overvoltage protection function

3.1.15.6. Technical summary

3.1.15.6.1. Technical data

Function	Value	Accuracy
Pick-up starting accuracy	2 – 8 %	< ± 2 %
	8 – 60 %	< ± 1.5 %
Reset time	U> → Un	
	U> → 0	
Operate time	50 ms	< ± 20 ms

Table 1-9 Technical data of the residual definite time overvoltage protection function

3.1.15.6.2. The parameters

The parameters are summarized in Chapters 1.4 and 1.5.

3.1.15.6.3. The binary output status signals

The **binary output status signals** of the residual definite time overvoltage protection function are listed in Table 1-10.

Binary output signals	Signal title	Explanation
TOV59N_GenSt_Grl_	General Start	General starting of the function
TOV59_N_GenTr_Grl_	General Trip	General trip command of the function

Table 1-10 The binary output status signals of the residual definite time overvoltage protection function

3.1.15.6.4. The binary input status signals

The residual definite time overvoltage protection function has a binary input signal, which serves the purpose of disabling the function. **The conditions of disabling are defined by the user, applying the graphic equation editor.**

Binary input signal	Explanation
TOV59N_BlK_GrO_	Output status of a graphic equation defined by the user to disable the residual definite time overvoltage protection function.

Table 1-11 The binary input signal of the residual definite time overvoltage protection function

3.1.15.6.5. The function block

The function block of the residual overvoltage protection function is shown in Figure 1-6. This block shows all binary input and output status signals that are applicable in the graphic equation editor.

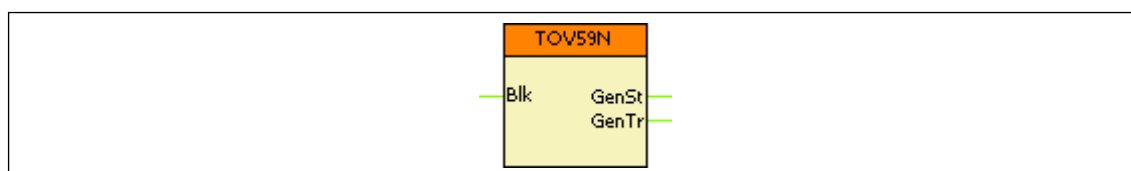
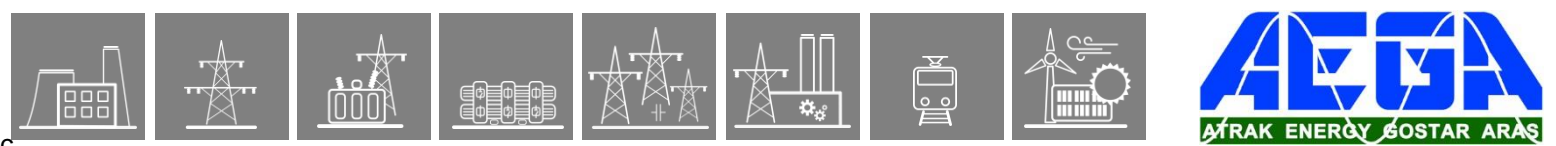


Figure 1-6 The function block of the residual overvoltage protection function



The **software modules** of the three-phase directional overcurrent protection function are as follows:

MinZ

This module selects the faulty loop for directional decision. Using the pre-processing modules, from among the six loops (L1L2, L2L3, L3L1, L1N, L2N, L3N) this module selects the measuring loop with the smallest calculated loop impedance. The logic forwards the selected loop voltage and the loop current to the phase angle calculation module.

FI calculation (φ)

This module calculates the vector angle between the selected loop voltage and the loop current.

DIR

This module performs the directional decision.

RMS/Fourier select

This module selects RMS or Fourier values as inputs for overcurrent module.

OC

This is a non-directional three-phase overcurrent protection function.

The following description explains the details of the individual components.

3.1.16.1.2.1. Selection logic (MinZ)

Using calculated information of the pre-processing modules, in case of solidly grounded networks, from among the six loops (L1L2, L2L3, L3L1, L1N, L2N, L3N) this module selects the measuring loop with the smallest calculated loop impedance. The voltage must be above 5% of the rated voltage and the current must also be measurable (min. 8%). In compensated or isolated networks, the single phase-to-ground faults are supposed not to generate high fault currents. For these networks, the line-to-line loops (L1L2, L2L3, L3L1) are evaluated only.

Enumerated parameter for fault loop selection

Table 1-1 The enumerated parameter of the network type selection

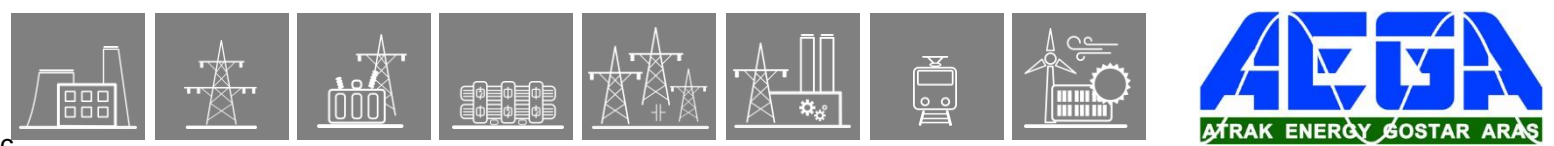
Parameter name	Title	Selection range	Default
Network neutral grounding selection			
TOC67_NetType_EPar_	Network type	Solidly Earthed, Isolated	Solidly earthed

NOTE: For compensated networks, select "Isolated" option.

The **input signals** are the RMS values of the fundamental Fourier components of the three-phase currents and three phase voltages and the three line-to-line voltages.

The **internal output status signal** for enabling the directional decision is true if both the three-phase voltages and the three-phase currents are meet the minimum requirements above.

The RMS voltage and current values of the fundamental Fourier components of the selected loop are forwarded to angle calculation for further processing.



input of the function block by the user, using the logic editor function of the EuroCAP configuration software. The effect of this signal is decided by the Boolean parameter “NonDir when VTS”: if this parameter is logic TRUE (checked) then the evaluation for “Forward” or “Backward” turns automatically to “NonDir”, the output signal depend on the magnitude of the current only. If the “NonDir when VTS” Boolean parameter is not checked, then the TRUE state of the “VTS” binary input blocks the operation of the function block. The related parameter is shown in Table 1-2.

The **internal output signal** is the decision of the direction function. If the direction is OK, the output signal is TRUE, i.e. the phase angle between the three-phase voltage and the three-phase current is within the limit range, defined by the preset parameter OR non-directional operation is selected by the preset parameter TOC67_Dir_EPar_ (Direction=NonDir).

This block generates a TRUE internal status signal also for SOTF condition, and when no directional decision is required by parameter setting.

Table 1-2 The boolean parameter of the directional decision

Parameter name	Title	Selection range	Default
Turn the function to non-directional mode or block the function if the “VTS” binary input gets active			
TOC67_NDirVTS_BPar_	NonDir when VTS	Checked, Not checked	Not checked

Table 1-3 The enumerated parameter of the directional decision

Parameter name	Title	Selection range	Default
Directionality of the function			
TOC67_Dir_EPar_	Direction	NonDir, Forward, Backward	Forward

Table 1-4 The integer parameters of the directional decision

Parameter name	Title	Unit	Min	Max	Step	Default
Operating angle (See Figure 1-2)						
TOC67_ROA_IPar_	Operating Angle	deg	10	85	1	60
Characteristic angle (See Figure 1-2)						
TOC67_RCA_IPar_	Characteristic Angle	deg	-90	90	1	60

3.1.16.1.2.4. RMS or Fourier selection (RMS/Fourier select)

This module selects RMS or Fourier values as inputs for overcurrent module.

Table 1-5 The enumerated parameter of the input type selection

Parameter name	Title	Selection range	Default
RMS or Fourier selection			
TOC67_InputType_EPar_	Input Type	Fundamental, RMS	Fundamental

3.1.16.1.2.5. The overcurrent protection function (OC)

This module is equivalent to the TOC51 (three-phase (non-directional) overcurrent) function block described in a separate document. The additional input binary signal enables the operation if the directional decision module generates a logic TRUE value, indicating that the phase angle is in the range defined by the preset parameter or that non-directional decision is required.

3.1.16.1.2.5.1. Operating characteristics

3.1.16.1.2.5.2. Independent time characteristic

$$t(G) = t_{OP} \text{ when } G > G_s$$

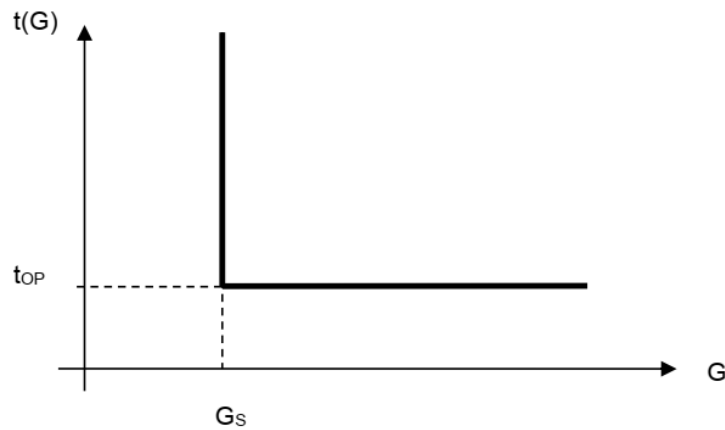


Figure 1-3 Overcurrent independent time characteristic

where

- t_{OP} (seconds) theoretical operating time if $G > G_s$, fix, according to the preset parameter,
- G measured value of the characteristic quantity, Fourier base harmonic of the phase currents,
- G_s preset value of the characteristic quantity (“Start current” parameter).

Resetting characteristics:

- For IEC type characteristics the resetting is after a fix time delay defined by “Reset delay”,
- for ANSI types however according to the formula below:
-

$$t_r(G) = TMS \left[\frac{k_r}{1 - \left(\frac{G}{G_s} \right)^\alpha} \right] \text{ when } G < G_s$$

where

- $t_r(G)$ (seconds) theoretical reset time with constant value of G ,
- k_r constants characterizing the selected curve (in seconds),
- α constants characterizing the selected curve (no dimension),
- G measured value of the characteristic quantity, Fourier base harmonic of the phase currents,
- G_s preset value of the characteristic quantity (“Start current” parameter),
- TMS preset time multiplier (no dimension).

Table 1-7 The resetting constants of the standard dependent time characteristics

	IEC REF	TITLE	k_r	α
1	A	IEC Inv	Resetting after fix time delay, according to preset parameter “Reset delay”	
2	B	IEC VeryInv		
3	C	IEC ExtInv		
4		IEC LongInv		
5		ANSI Inv	0,46	2
6	D	ANSI ModInv	4,85	2
7	E	ANSI VeryInv	21,6	2
8	F	ANSI ExtInv	29,1	2
9		ANSI LongInv	4,6	2
10		ANSI LongVeryInv	13,46	2
11		ANSI LongExtInv	30	2

The definite time and the inverse type characteristics

This module calculates the required time delay based on the Fourier components of the phase currents. The formulas applied are described in Chapter 1.2.5.1.

The **inputs** are the RMS value of the fundamental Fourier component of the phase currents (IL1Four, IL2Four, IL3Four) and parameters.

The **outputs** are the status signals of the three phases individually. These indicate the started state and the generated trip command if the time delay determined by the characteristics expired.

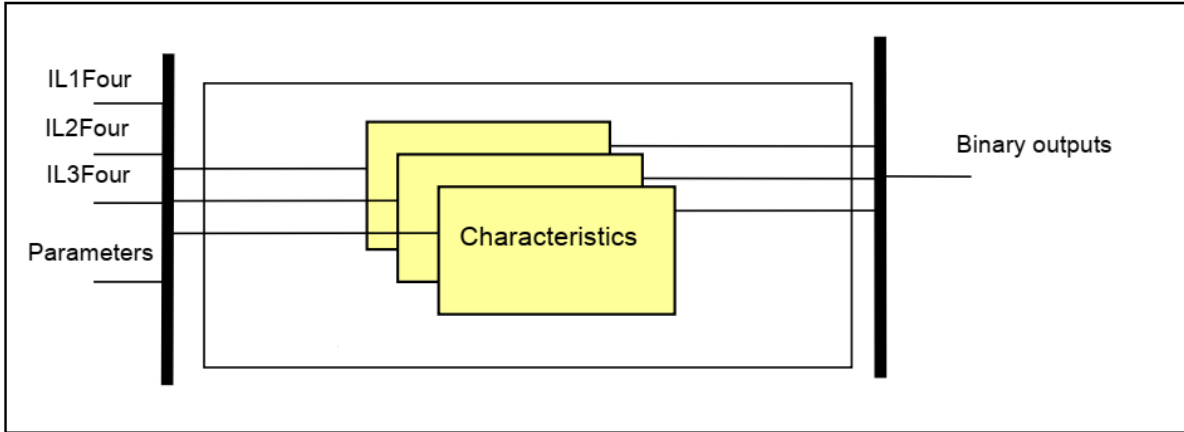


Figure 1-5 Schema of the characteristic calculation

The inverse type characteristics are also presented graphically on the following pages. These diagrams assume 100% setting value for the Start current parameter (GS), 1 for the Time multiplier (TMS) and 0 for the Min. time delay.

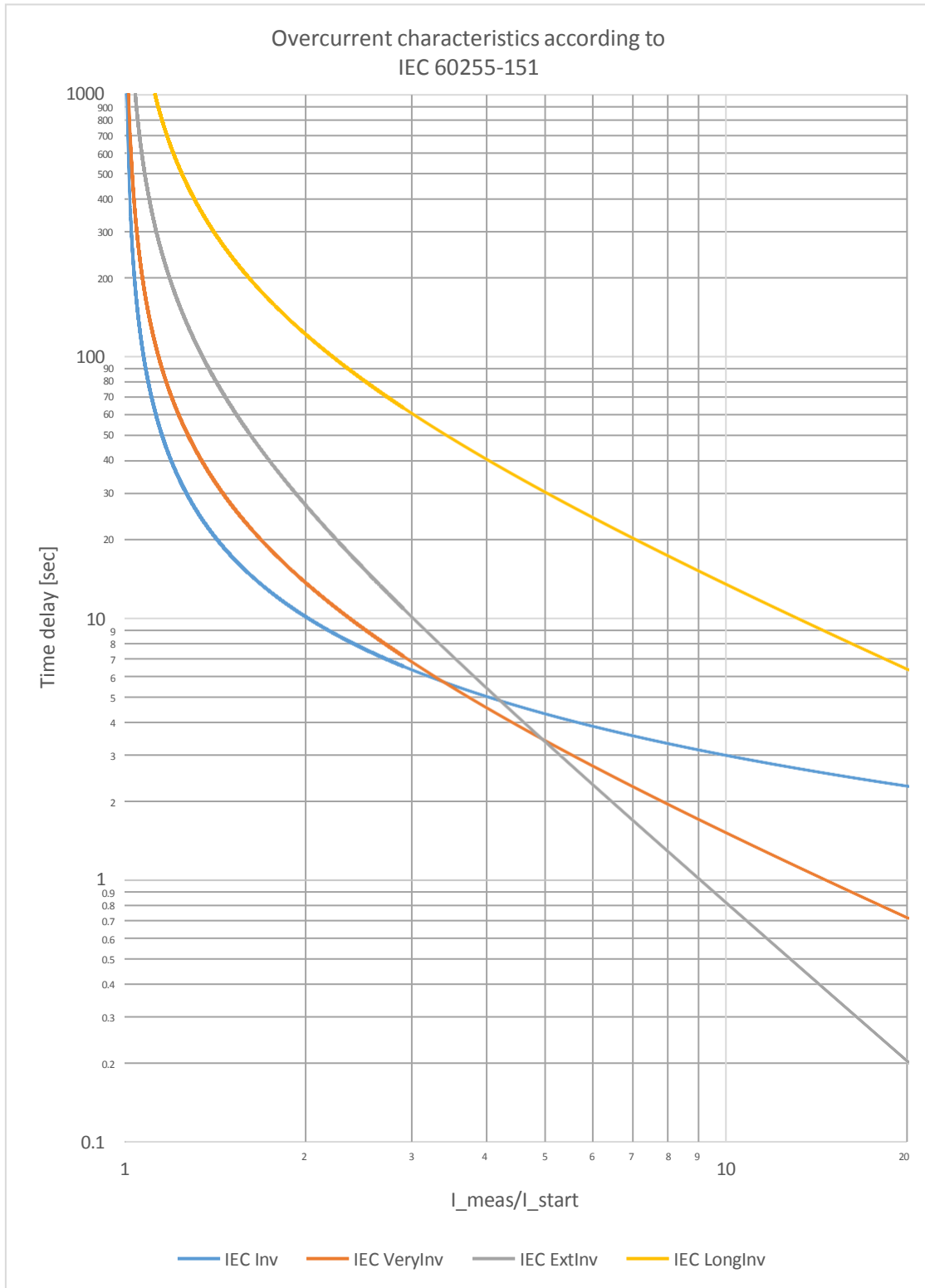


Figure 1-6 Overcurrent characteristics according to IEC 60255-151

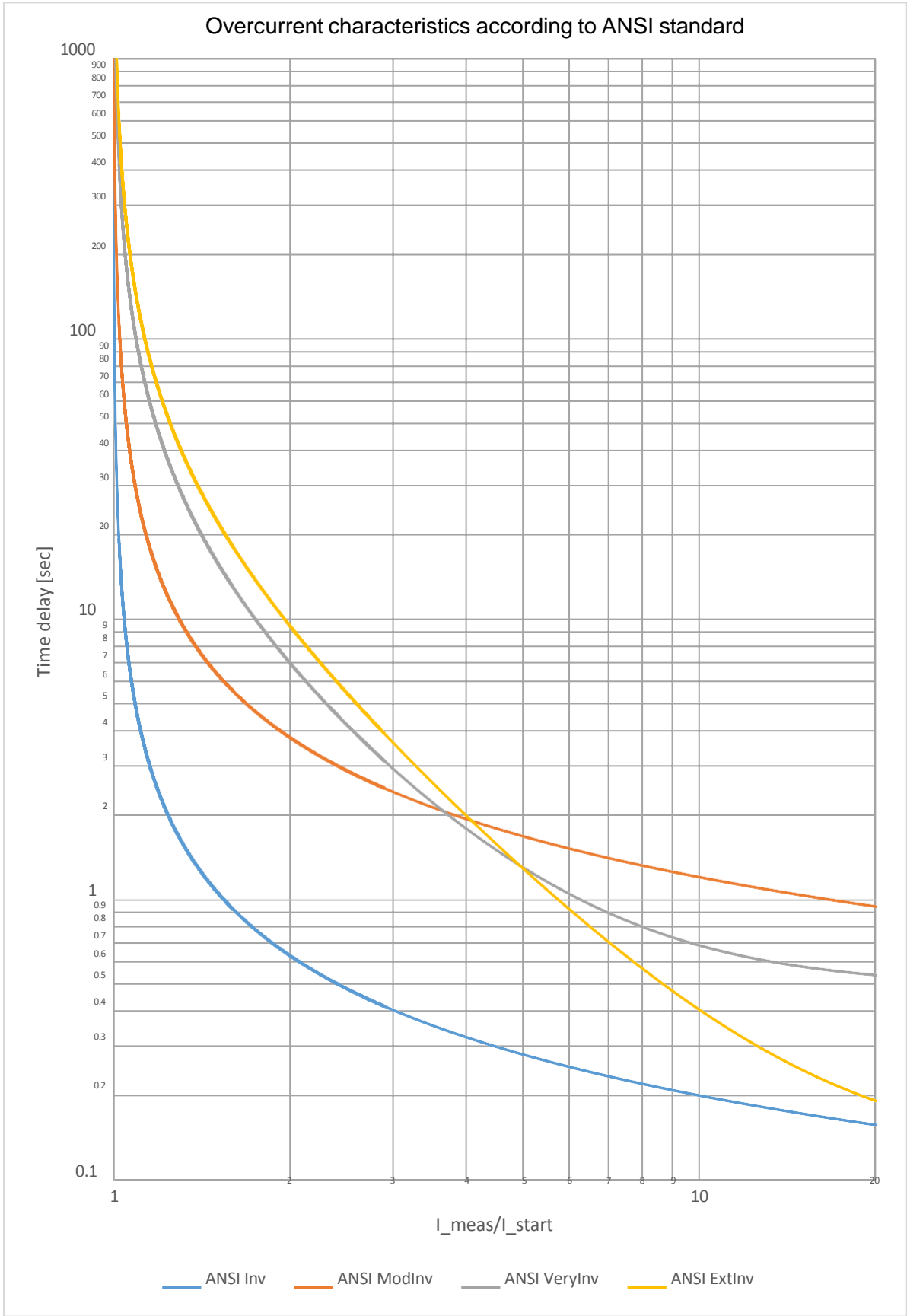


Figure 1-7 Overcurrent characteristics according to ANSI standard

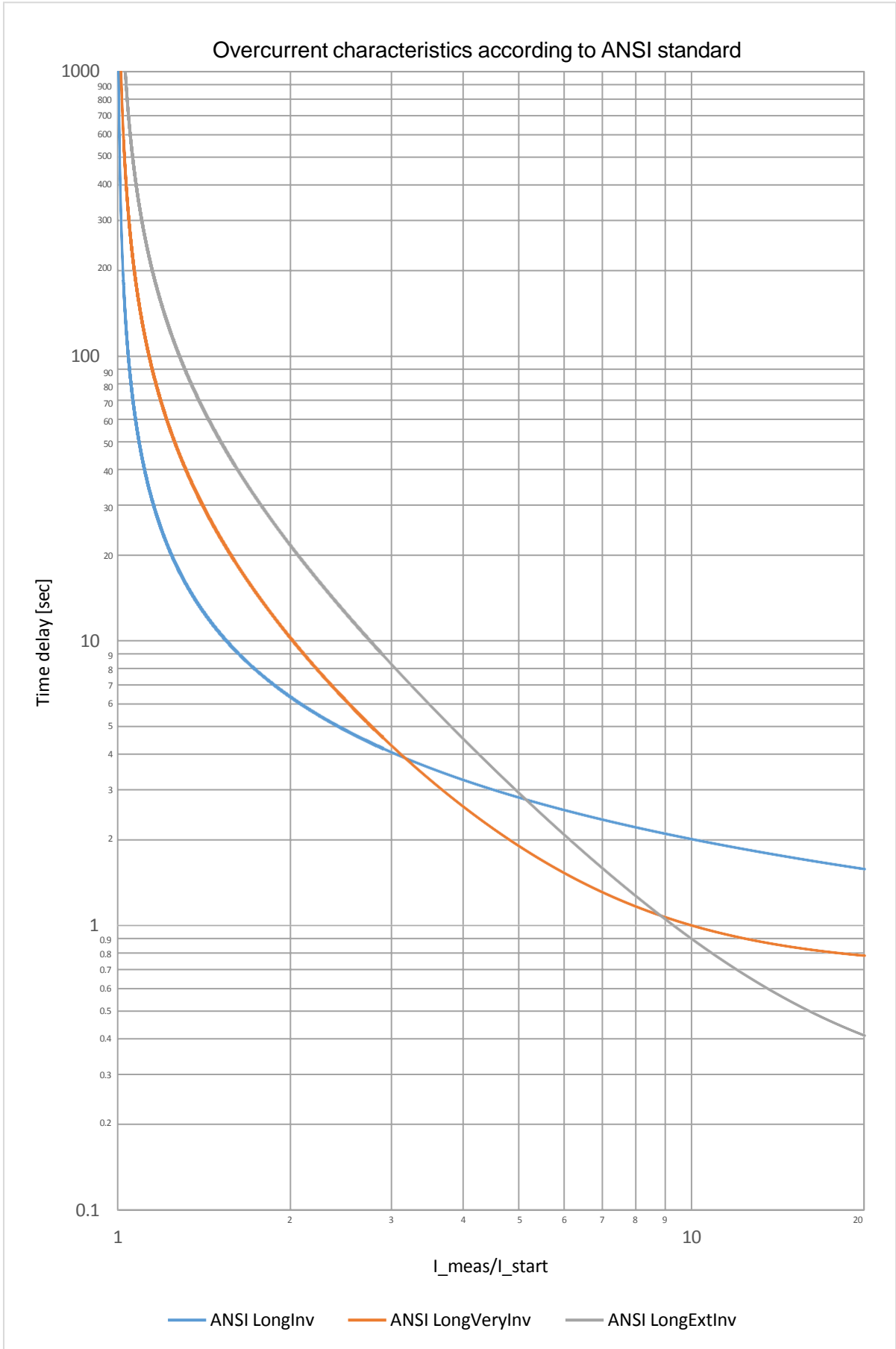


Figure 1-8 Overcurrent characteristics according to ANSI standard

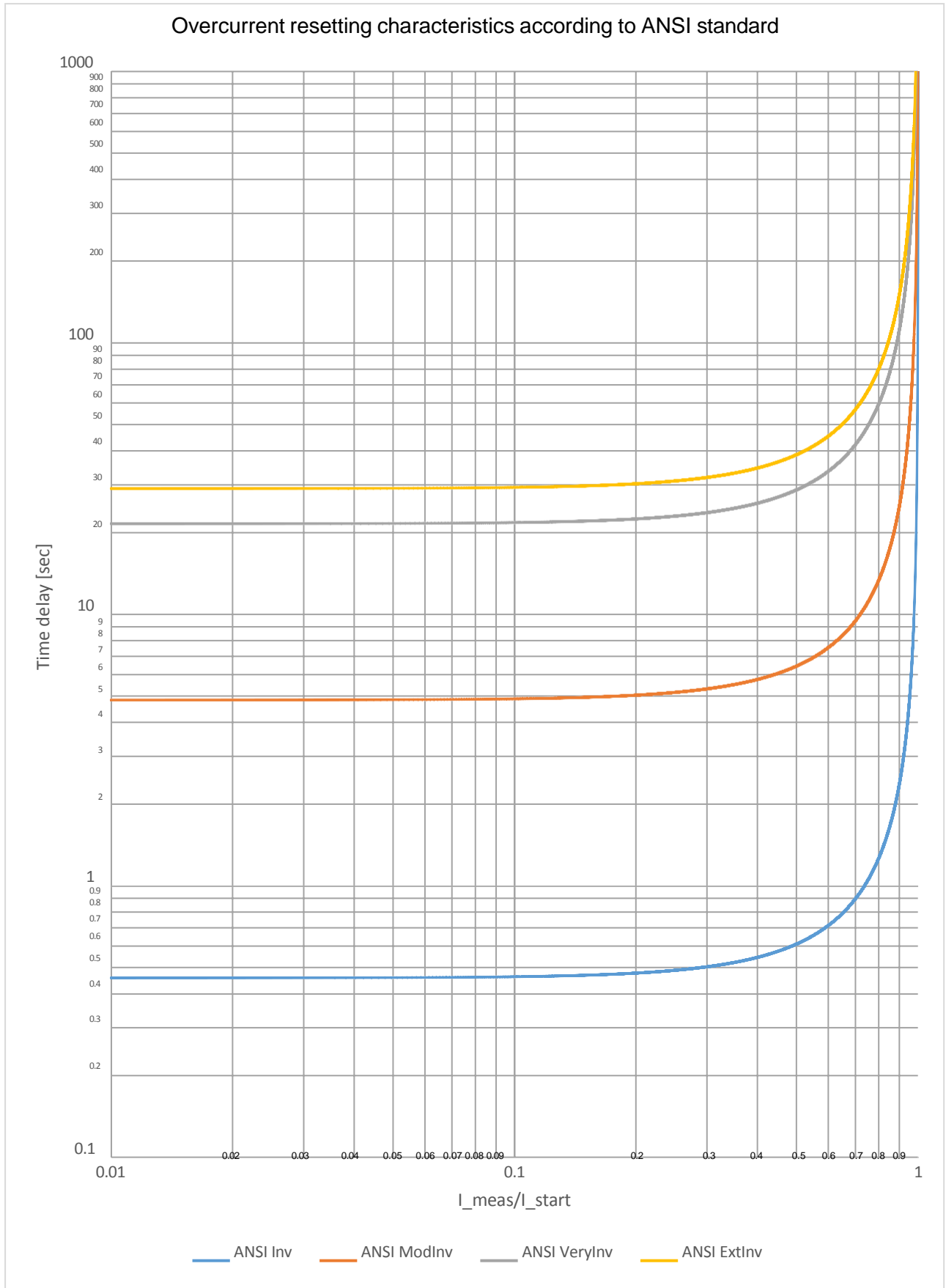


Figure 1-9 Overcurrent resetting characteristics according to ANSI standard

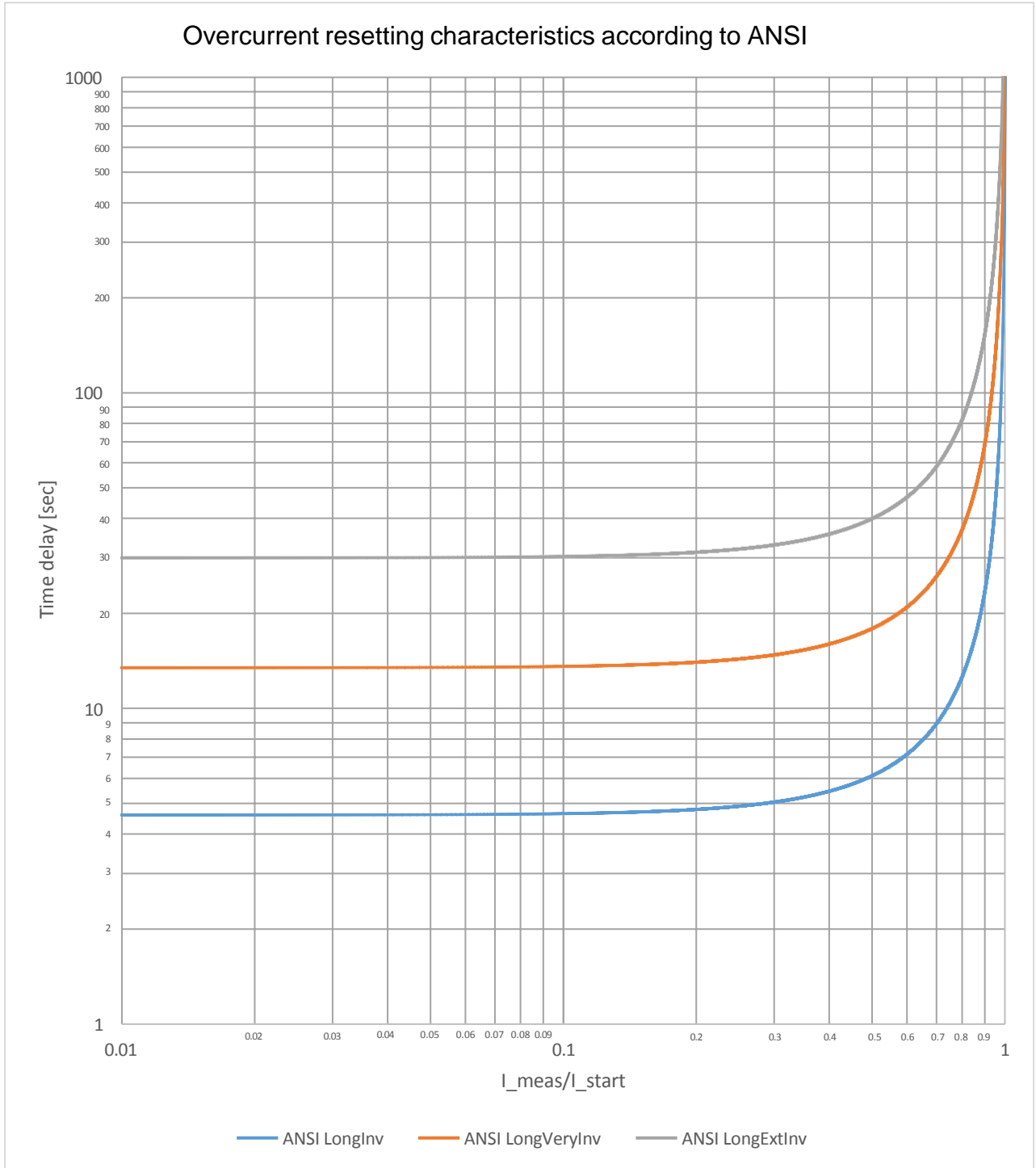


Figure 1-10 Overcurrent resetting characteristics according to ANSI standard

3.1.16.2. 3ph Dir Overcurrent function overview

The function block of the three-phase directional overcurrent protection function is shown in Figure 2-1. This block shows all binary input and output status signals that are applicable in the graphic equation editor.

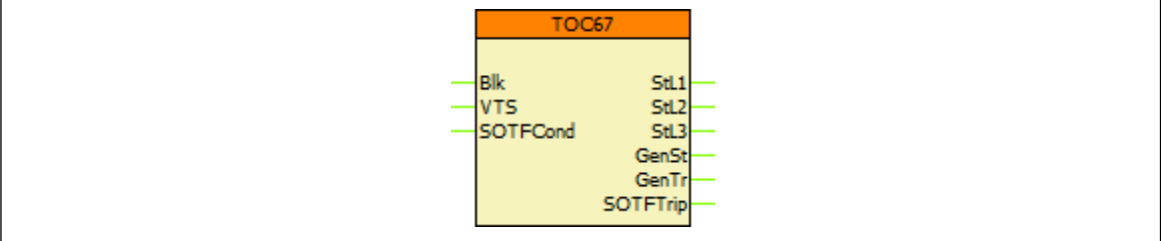
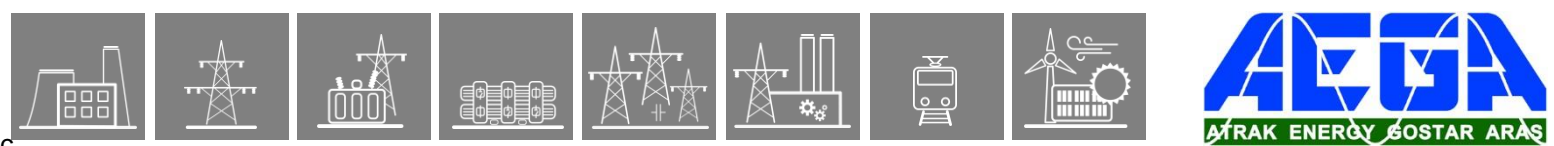


Figure. 2-1 The function block of the three-phase overcurrent function



3.1.16.3. Settings

3.1.16.3.1. Parameters

The available parameters are listed below in order of their appearance in the *parameters* menu. If the setting range of a parameter should be extended, contact Protecta Support.

Table 2-1 The available parameters of the harmonics function

TITLE	DIM.	RANGE	STEP	DEFAULT	EXPLANATION
Operation	-	Off, Definite Time, IEC Inv, IEC VeryInv, IEC ExtInv, IEC LongInv, ANSI Inv, ANSI ModInv, ANSI VeryInv, ANSI ExtInv, ANSI LongInv, ANSI LongVeryInv, ANSI LongExtInv	-	Off	Enabling the function by choosing the characteristics.
Network type	-	Solidly Earthed, Isolated	-	Solidly Earthed	
Measurement method	-	Fundamental, RMS	-	Fundamental	<i>Fundamental</i> method is suitable for general overcurrent applications. <i>RMS</i> method is needed thermal-based applications – this method takes the entire current (all harmonics) into consideration at the cost of accuracy.
Direction	-	Non-directional, Forward, Backward	-	Forward	<i>Non-directional</i> makes the function operate as a basic TOC51 function.
Non-Directional – VT Fail	-	FALSE, TRUE	-	FALSE	When checked, the VT failure signal does not block the function but switches it to non-directional mode instead.
Operating Angle	deg	10 – 85	1	60	Relay Operating Angle. The angle at which the characteristic is extended in both directions from the Characteristic angle (e.g. a setting of 60 degrees will result in 120 degrees wide characteristics).
Characteristic Angle	deg	-90 – 90	1	60	The angle from which the Operating angle parameter defines the characteristics.
Start Current	%	10 – 4000	1	200	Starting current of the function
Time Multiplier		0.05 – 15.00	0.01	1.00	Time multiplier of the inverse characteristics
Min Time Delay	msec	30 – 60000	1	100	Minimal time delay for the inverse characteristics
Definite Time Delay	msec	30 – 60000	1	100	Time delay in case of definite time characteristic is selected
Reset Time	msec	60 – 60000	1	100	Reset time delay for the IEC inverse characteristics

3.1.16.4. Function I/O

This section describes briefly the analogue and digital inputs and outputs of the function block.

3.1.16.4.1. Analogue inputs

The function uses the Fourier values of the three-phase currents and of the calculated impedance loops. This is defined in the configuration.

3.1.16.4.2. Binary output signals (graphed input statuses)

The binary output status signals of the directional three-phase overcurrent protection function are listed in Table 2-2. **Parts** written in **bold** are seen on the function block in the logic editor.

Table 2-2 The binary output signals of the directional three-phase overcurrent function

BINARY OUTPUT SIGNALS	SIGNAL TITLE	EXPLANATION
TOC67_ StL1 _Grl_	Start L1	Starting of the function in phase L1
TOC67_ StL2 _Grl_	Start L2	Starting of the function in phase L2
TOC67_ StL3 _Grl_	Start L3	Starting of the function in phase L3
TOC67_ GenSt _Grl_	General Start	General start of the function
TOC67_ GenTr _Grl_	General Trip	General trip command of the function

3.1.16.4.3. Binary input signals (graphed output statuses)

The directional three-phase overcurrent protection function has binary input signals, which serve the purpose of disabling the function or its directional operation and determine the operation in case of switching on close-up fault. All statuses are defined by the user in the graphical Logic Editor.

Table 2-3 The binary input signals of the directional three-phase overcurrent function

BINARY INPUT SIGNALS	EXPLANATION
TOC67_ Blk _GrO_	Output status of a graphic equation to disable the function
TOC67_ VTS _GrO_	Usually connected to the voltage transformer supervision function or other VT failure signal, this input either blocks the function or makes it operate without directional decision, depending on the <i>Non-Directional - VT Fail</i> parameter
TOC67_ SOTFCond _GrO_	In case of switching on fault, this status makes the function to operate without directional decision and delay with high speed.

3.1.16.4.4. On-line data

Visible values on the on-line data page.

Table 2-4 On-line data of the directional three-phase overcurrent protection function

SIGNAL TITLE	DIMENSION	EXPLANATION
Start L1	-	Starting of the function in phase L1
Start L2	-	Starting of the function in phase L2
Start L3	-	Starting of the function in phase L3
General Start	-	General start of the function
General Trip	-	General trip command of the function



3.1.16.4.5. Events

The following events are generated in the event list, as well as sent to SCADA according to the configuration.

Table 2-5 Events of the three-phase overcurrent protection function

EVENT	VALUE	EXPLANATION
Start L1	off, on	Start of the directional three-phase overcurrent protection function in measuring element L1
Start L2	off, on	Start of the directional three-phase overcurrent protection function in measuring element L2
Start L3	off, on	Start of the directional three-phase overcurrent protection function in measuring element L3
Start	off, on	General start of the directional three-phase overcurrent protection function
Trip	off, on	General trip command of the directional three-phase overcurrent protection function

3.1.16.5. Technical data

Table 2-6 Technical data of the function

FUNCTION	VALUE	ACCURACY
Operating accuracy		<2 %
Operate time accuracy	If Time multiplier is >0.1	±5 % or ±35 ms, whichever is greater
Accuracy in minimum time range		±35 ms
Reset ratio	0,95	
Reset time Dependent time char. Definite time char.	Approx. 50 ms	<2% or ±35ms, whichever is greater
Transient overreach	2 %	
Pickup time with non-directional setting	25-30 ms	
Pickup time with directional setting	<100 ms	
Memory storage time span 50 Hz 60 Hz	80 ms 70 ms	±15 ms ±15 ms
Angular accuracy $I \leq 0.1 I_n$ $0.1 I_n < I \leq 0.4 I_n$ $0.4 I_n < I$		< ±10° < ±5° < ±2°
Angular reset	10°	

3.1.16.6. Notes for testing

There is an XRIO setting file available for the function (downloadable from the Protecta website). With that, only the parameters of the corresponding VT and CT modules and the 3ph Dir Overcurrent function should be entered along with the test current, when the characteristics are to be tested. By using this file, testing the operation characteristic will not need any further setting.

Normally in the EuroProt+ devices, the trip contacts are assigned to the Trip Logic function block, and not to the protection function blocks. Because of this, the testing personnel must make sure that the Trip Logic is switched on ('Operation' parameter is set to other than 'Off') before starting the testing, otherwise there will be no physical trip on the relay.

Note that the time delay parameter incorporates the algorithm time as well, so the time delay *does not mean the time difference between the appearance of the start and trip signals* of the function. In other words: it is not the delay between the detection of the fault and the trip that follows it. This should be taken into consideration when checking the disturbance records.

Instead, the time delay parameter defines the elapsed time from the appearance of the faulty state to the trip. Because of this, while testing, the delay measurement should start *from the moment of the fault injection* until the trip signal.

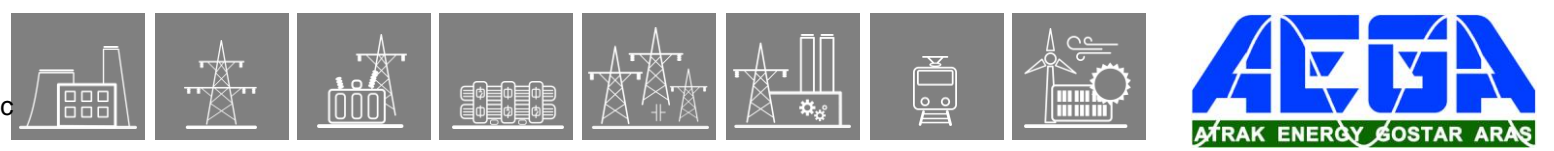
The reset time of the IDMT characteristics can be tested only indirectly by injecting the same fault currents again after a successful trip: if the time elapsed between the two injections is less than the reset time, the second injection will result in a quicker operation than the first.

The *angle reference of the setting is the current*, not the voltage, see Figure 1-2.

The 10° angular reset also means that if the prefault currents' angle is already in the characteristic, then the generated fault currents will still be considered as inside faults if their angle is less than 10° away from the borders.

Directionality (polarization) is based on the following measurements (numbers based on priority):

1. Voltage of the faulty phase (if present)



2. If the voltage is missing (e.g. 1ph fault), then the angle between the positive sequence current and positive sequence voltage is considered (only the angles, not the magnitudes)
3. If all voltages drop to 0, then the memory is used

3.1.16.7. Example for application

The example in this guide supposes that the device is connected to instrument transformers and to the circuit breakers according to *Figure 1-1*.

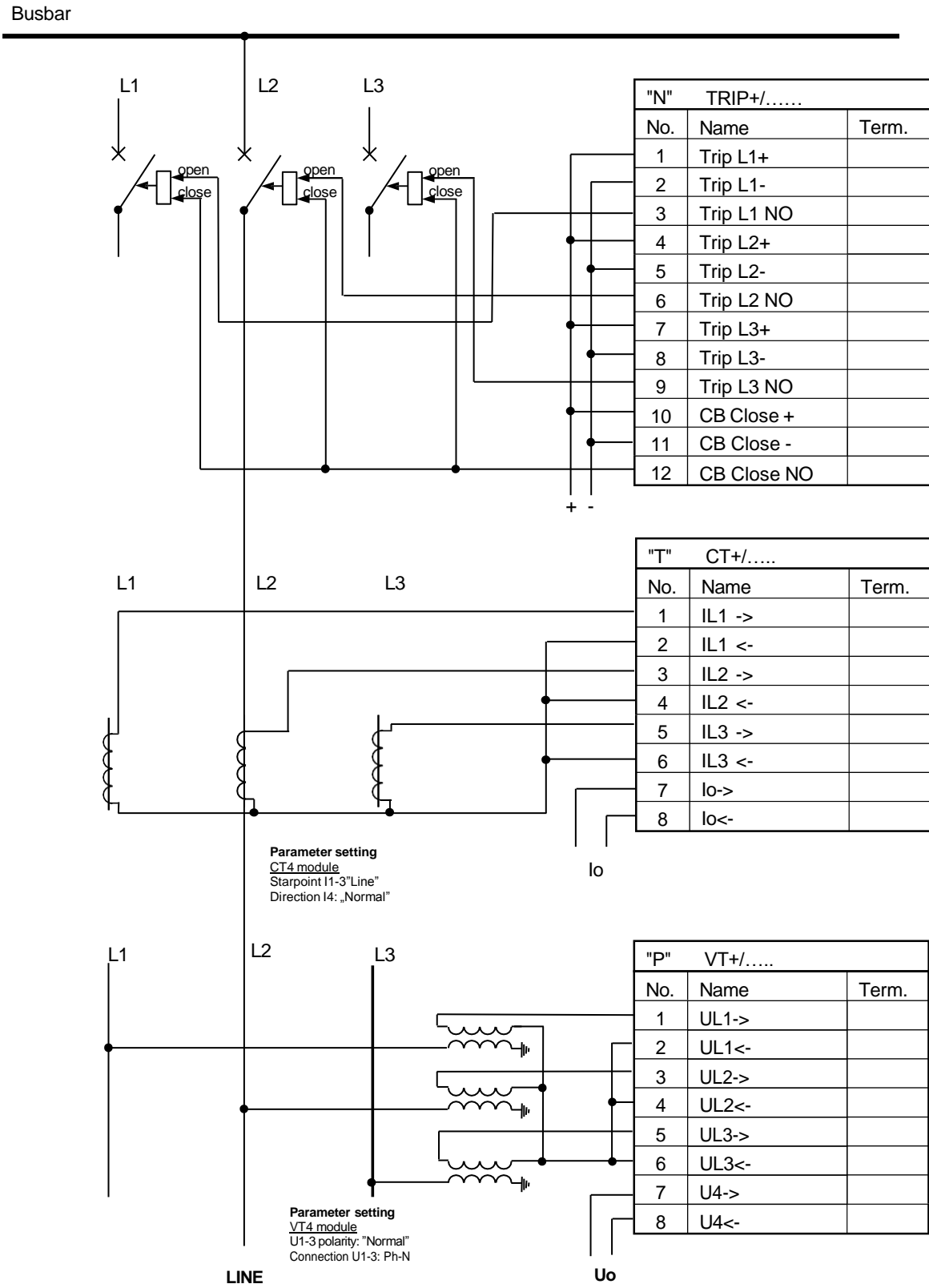


Figure 1-1 Connection example

C

The directional three-phase overcurrent protection function can be applied on solidly grounded networks, where the overcurrent protection must be supplemented with a directional decision. In these networks the fault is considered to be in “Forward” direction, if the measured fault impedance, using the positive directions shown in *Figure 1-2*, is inductive i.e. the calculated φ impedance angle is $0^\circ \leq \varphi \leq 90^\circ$.

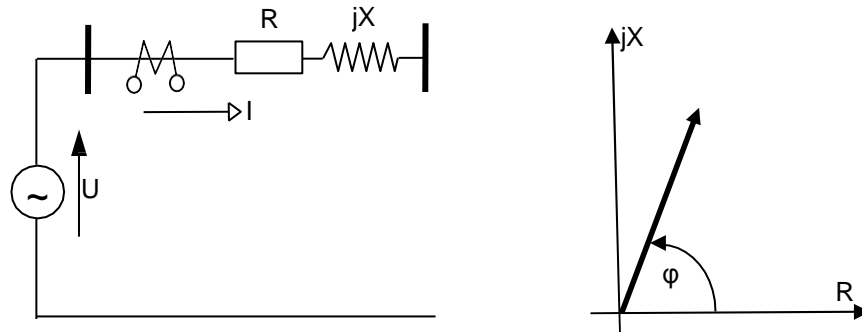


Figure 1-2 The fault impedance

The voltage and current vectors for this fault loop are shown in *Figure 1-3*.

In *Figure 1-3.a*), the voltage vector is the reference, the current lags relative to the voltage, the φ angle is negative. To change this angle to a positive value (as the value of the impedance angle is) the current is considered to be the reference. This is shown in *Figure 1-3.b*). The directional overcurrent protection function applies this coordinate system of *Figure 1-3.b*).

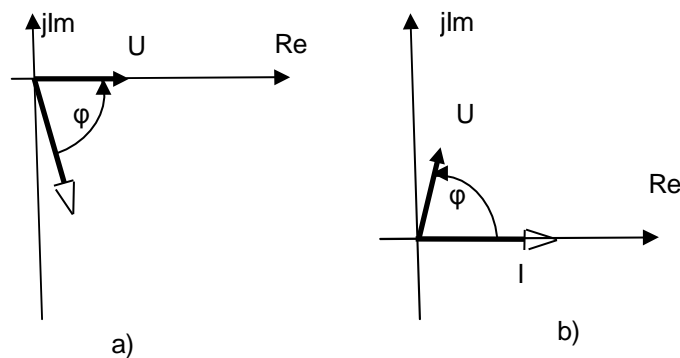


Figure 1-3 Voltage and current vectors in the faulty loop

Figure 1-4 below shows that the considered voltages are „loop” voltages and the considered currents are „loop” currents. The indicated operating range is valid if the “Direction” parameter is set “Forward”. If the direction parameter is set “Backward” then the operation range is mirrored to the origin of *Figure 1-4*. The setting “NonDir” for this parameter means that only the magnitude of the current is considered, the phase angles are neglected.

The „loop” voltages and the „loop” currents are selected according to the smallest loop impedance, depending on the detected fault type, according to Table 1-1.

C

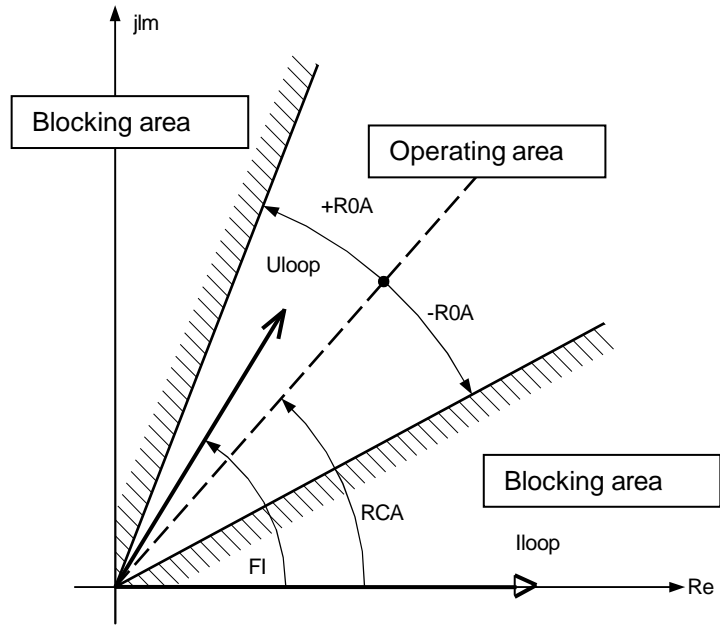


Figure 1-4 The directional decision

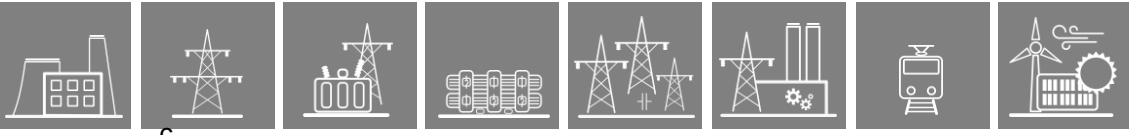
Based on the measured voltages and currents, from among the six loops (L1L2, L2L3, L3L1, L1N, L2N, L3N) the block selects the one with the smallest calculated loop impedance.

Fault	Uloop	Iloop
L1L2L3(N)	$U_{loop} = U_{L2} - U_{L3}$	$I_{loop} = I_{L2} - I_{L3}$
L1L2	$U_{loop} = U_{L1} - U_{L2}$	$I_{loop} = I_{L1} - I_{L2}$
L2L3	$U_{loop} = U_{L2} - U_{L3}$	$I_{loop} = I_{L2} - I_{L3}$
L3L1	$U_{loop} = U_{L3} - U_{L1}$	$I_{loop} = I_{L3} - I_{L1}$
L1L2N	$U_{loop} = U_{L1} - U_{L1}$	$I_{loop} = I_{L1} - I_{L2}$
L2L3N	$U_{loop} = U_{L2} - U_{L3}$	$I_{loop} = I_{L2} - I_{L3}$
L3L1N	$U_{loop} = U_{L3} - U_{L1}$	$I_{loop} = I_{L3} - I_{L1}$
L1N	$U_{loop} = U_{L1}$	$I_{loop} = I_{L1} + 3I_o K_N$
L2N	$U_{loop} = U_{L2}$	$I_{loop} = I_{L2} + 3I_o K_N$
L3N	$U_{loop} = U_{L3}$	$I_{loop} = I_{L3} + 3I_o K_N$

Table 1-1 Loop voltage and current selection

In Table 1-1 I_o is the zero sequence current component, and the zero sequence current compensation factor is:

$$K_N = \frac{Z_o - Z_1}{3Z_1} = 1 \left(\frac{Z_o}{Z_1} \right)$$



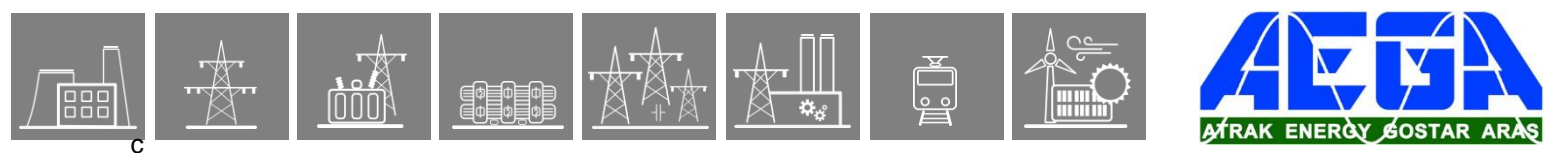
c



$$3(Z_1) \left. \begin{array}{c}) \\ - \\ 1 \\) \end{array} \right\} \text{---|---}$$

If the device configuration includes also the distance protection, then this value is set for the distance protection function block. If the distance protection function is not applied then

$$K_N = 1$$



The function applies also the polarization method used for the distance protection:

- If the loop voltage is above 5% of the rated voltage input, then this loop voltage is applied for the decision.
- If the loop voltage is below 5% of the rated voltage input and there is healthy voltage available, then the healthy voltage is applied for the directional decision.
- If the loop voltage is below 5% of the rated voltage input and there is no healthy voltage available, then the voltage vectors stored in the memory are applied for the directional decision.
- If the loop voltage is below 5% of the rated voltage input and there is no healthy voltage available, and there are no voltage vectors stored in the memory then no decision is performed.

Based on the loop voltage and loop current of the selected loop the directional decision generates a signal of TRUE value if the voltage and the current is sufficient for directional decision, and the angle difference between the vectors is within the setting range. This decision enables the output start and trip signals of an overcurrent protection function block, based on the selected current.

The description above indicates that the basic concept of the directionality is the impedance angle, detected in the faulty loop.

3.1.17. Directional residual overcurrent protection function

3.1.17.1. Application

The main application area of the directional residual overcurrent protection function is the earth-fault protection.

3.1.17.2. Mode of operation

The inputs of the function are the Fourier basic harmonic components of the zero sequence current and those of the zero sequence voltage.

The block of the directional decision generates a signal of TRUE value if the $UN=3U_0$ zero sequence voltage and the $IN=-3I_0$ current are sufficient for directional decision, and the angle difference between the vectors is within the preset range. This decision enables the output start and trip signals of the residual overcurrent protection function block (TOC51N).

Note: the position of the vectors in *Figure 1-1* indicates a forward fault, i.e., the location of the earth fault is on the protected line (the positive direction of the current is from the busbar to the line).

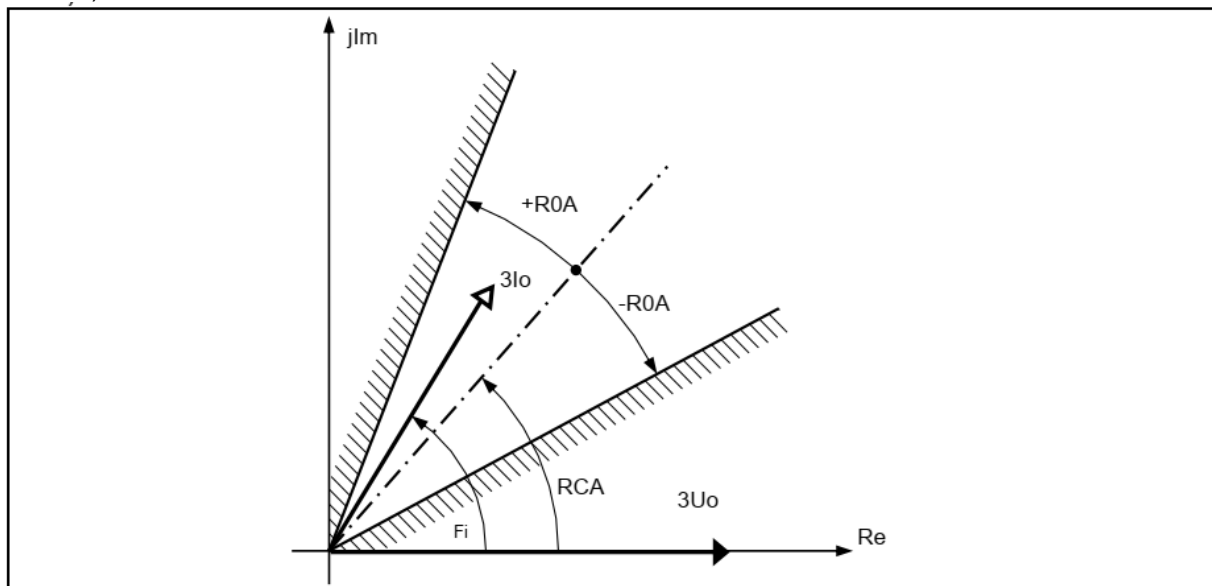


Figure 1-1 The directional decision

3.1.17.3. Structure of the directional residual overcurrent protection algorithm

Fig.1-2 shows the structure of the directional residual overcurrent protection (TOC51N) algorithm.

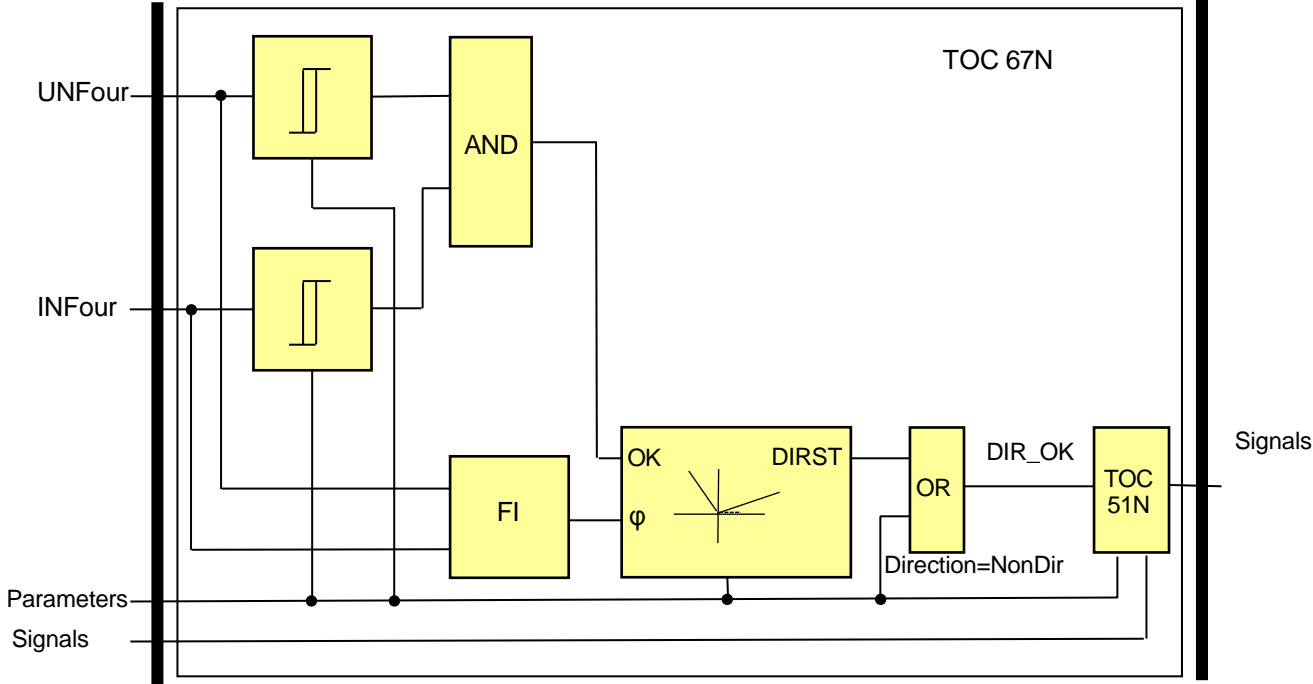


Figure 1-2 Structure of the residual directional overcurrent protection algorithm

The **inputs** are

- the RMS value of the fundamental Fourier component of the residual current ($IN=3I_0$),
- the RMS value of the fundamental Fourier component of the residual voltage ($UN=3U_0$),
- parameters,
- status signals.

The **outputs** are

- the binary output status signals.

The **software modules** of the residual directional overcurrent protection function:

Comparison

These modules decide if the RMS values of the fundamental Fourier component of the residual current and voltage are above the limits needed for correct directional decision.

FI calculation

This module calculates the vector angle between the residual voltage and the residual current.

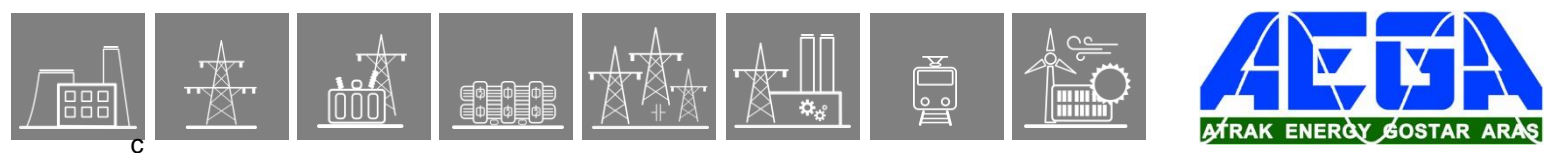
DIRST

The directional decision.

TOC51N

Non-directional residual overcurrent protection function.

The following description explains the details of the individual components.



3.1.17.3.1. Enabling the directional decision (Comparison)

These modules decide if the RMS values of the fundamental Fourier component of the residual current and voltage are above the limits needed for correct directional decision.

Integer parameters

Parameter name	Title	Unit	Min	Max	Step	Default
The threshold value for the $3U_0$ zero sequence voltage, below which no directionality is possible. % of the rated voltage of the voltage transformer input.						
TOC67N_UoMin_IPar_	Min Res Voltage	%	1	20	1	2
The threshold value for the $3I_0$ zero sequence current, below which no operation is possible. % of the rated current of the current transformer input.						
TOC67N_IoMin_IPar_	Min Res Current	%	1	50	1	5

Table 1-1 The integer parameters for enabling the directional decision

The **input signals** are the RMS values of the fundamental Fourier component of the residual current and voltage.

The **internal output status signal** for enabling the directional decision is true if both the residual voltage and the residual current is above the preset limits.

3.1.17.3.2. Calculation of the vector angle (FI calculation)

This module calculates the phase angle between the residual voltage and the residual current. The reference signal is the residual voltage according to *Figure 1-1*.

The **input signals** are the fundamental Fourier components of the residual current and voltage.

The **internal output signal** is the calculated phase angle.

3.1.17.3.3. Directional decision (DIRST)

This module decides if the phase angle between the residual voltage and the residual current is within the limit range defined by the preset parameter. The operation of this function is explained in *Figure 1-1*.

The input signals are

- The enabling status signal from the Comparison modules in AND relationship.
- The calculated phase angle between the residual voltage and the residual current.
- Parameters.

The **internal output signal** of the directional decision is TRUE if the phase angle between the residual voltage and the residual current is within the limit range defined by the preset parameters OR if non-directional operation is selected by the preset parameter TOC67N_Dir_EPar_ (Direction=NonDir).

Enumerated parameters

Parameter name	Title	Selection range	Default
Directionality of the function			
TOC67N_Dir_EPar_	Direction	NonDir,Forward-Angle,Backward-Angle,Forward-I*cos(fi),Backward-I*cos(fi),Forward-I*sin(fi),Backward-I*sin(fi),Forward-I*sin(fi+45),Backward-I*sin(fi+45)	Forward-Angle

*The forward direction is defined by the RCA characteristic angle (See Tables 1-5 below).

Table 1-2 The enumerated parameters of the directional decision

Short explanation of the enumerated parameter selection

Selected value	Explanation
NonDir,	Operation according to non-directional TOC51N
Forward-Angle	See <i>Figure 1-1</i> , set ROA and RCA as required
Backward-Angle	RCA=RCAset+180°, set ROA and RCA as required
Forward-I*cos(fi)	RCA=0°fix, ROA=85°fix, the setting values RCA and ROA are not applied
Backward-I*cos(fi)	RCA=180°fix, ROA=85°fix, the setting values RCA and ROA are not applied
Forward-I*sin(fi)	RCA=90°fix, ROA=85°fix, the setting values RCA and ROA are not applied
Backward-I*sin(fi)	RCA=-90°fix, ROA=85°fix, the setting values RCA and ROA are not applied
Forward-I*sin(fi+45)	RCA=45°fix, ROA=85°fix, the setting values RCA and ROA are not applied
Backward-I*sin(fi+45)	RCA=-135°fix, ROA=85°fix, the setting values RCA and ROA are not applied

Table 1-3 Explanation of the enumerated parameter “Direction”

Integer parameters

Parameter name	Title	Unit	Min	Max	Step	Default
Operating angle (See <i>Figure 1-1</i>)						
TOC67N_ROA_IPar_	Operating Angle	deg	30	85	1	60
Characteristic angle (See <i>Figure 1-1</i>)						
TOC67N_RCA_IPar_	Characteristic Angle	deg	-180	180	1	60

Table 1-4 Integer parameters of the directional decision

3.1.17.3.4. Non-directional residual overcurrent protection function (TOC51N)

This module is equivalent to the TOC51N function block described in a separate document.

Summary of the parameters:

Enumerated parameters

Parameter name	Title	Selection range	Default
Operating characteristic selection of the TOC51N module			
TOC67N_Oper_EPar_	Operation	Off, DefiniteTime, IEC Inv, IEC VeryInv, IEC ExtInv, IEC LongInv, ANSI Inv, ANSI ModInv, ANSI VeryInv, ANSI ExtInv, ANSI LongInv, ANSI LongVeryInv, ANSI LongExtInv	Off

Tables 1-5 The enumerated parameters of the TOC51N function block

Integer parameters

Parameter name	Title	Unit	Min	Max	Step	Default
Start current (TOC51N module)						
TOC67N_StCurr_IPar_	Start Current *	%	10	1000	1	50
TOC67N_StCurr_IPar_	Start Current **	%	5	1000	1	50

* In = 1 A or 5 A

** In = 200 mA or 1 A

Table 1-6 Integer parameters of the TOC51N function block

Float parameters

Parameter name	Title	Unit	Min	Max	Step	Default
Time multiplier of the inverse characteristics (TOC51N module)						
TOC67N_Multip_FPar_	Time Multiplier		0.05	15	0.01	1.0

Table 1-7 Float parameters of the TOC51N function block

Timer parameters

Parameter name	Title	Unit	Min	Max	Step	Default
Minimal time delay for the inverse characteristics (TOC 51N module):						
TOC67N_MinDel_TPar	Min Time Delay *	msec	30	60000	1	100
Definite time delay (TOC 51N module):						
TOC67N_DefDel_TPar	Definite Time Delay **	msec	30	60000	1	100
Reset time delay for the inverse characteristics (TOC 51N module):						
TOC67N_Reset_TPar_	Reset Time *	msec	60	60000	1	100

*Valid for inverse type characteristics only

**Valid for definite type characteristics only

Table 1-8 Timer parameters of the TOC51N function block

The **output status signals** of the TOC51N function block are identical with those of the TOC67N function:

Binary status signal	Title	Explanation
TOC67N_GenSt_Grl_	Start	General start signal of the function
TOC67N_GenTr_Grl_	Trip	General trip command of the function

Table 1-9 The binary output status signals of the TOC51N function block

3.1.17.4. Technical summary

3.1.17.4.1. Technical data

Function	Value	Accuracy
Operating accuracy		< ±2 %
Operate time accuracy		±5% or ±15 ms, whichever is greater
Accuracy in minimum time range		±35 ms
Reset ratio	0,95	
Reset time	Approx 50 ms	±35 ms
Transient overreach	<2 %	
Pickup time with non-directional setting	25 – 30 ms	
Pickup time with directional setting	<100ms	
Angular accuracy $I_0 \leq 0.1 I_n$ $0.1 I_n < I_0 \leq 0.4 I_n$ $0.4 I_n < I_0$		< ±10° < ±5° < ±2°
Angular reset ratio Forward and backward All other selection	10° 5°	

Table 1-10 Technical data of the directional residual overcurrent protection function

3.1.17.4.2. Summary of the parameters

Enumerated parameters

Parameter name	Title	Selection range	Default
Directionality of the function			
TOC67N_Dir_EPar_	Direction*	NonDir, Forward-Angle, Backward-Angle, Forward- $I \cdot \cos(\phi_i)$, Backward- $I \cdot \cos(\phi_i)$, Forward- $I \cdot \sin(\phi_i)$, Backward- $I \cdot \sin(\phi_i)$, Forward- $I \cdot \sin(\phi_i + 45)$, Backward- $I \cdot \sin(\phi_i + 45)$	Forward-Angle
Operating characteristic selection of the TOC51N module			
TOC67N_Oper_EPar_	Operation	Off, DefiniteTime, IEC Inv, IEC VeryInv, IEC ExtInv, IEC LongInv, ANSI Inv, ANSI ModInv, ANSI VeryInv, ANSI ExtInv, ANSI LongInv, ANSI LongVeryInv, ANSI LongExtInv	Off

* See table 1-3.

Table 1-11 The enumerated parameters of the directional residual overcurrent protection function

Integer parameters

Parameter name	Title	Unit	Min	Max	Step	Default
The threshold value for the 3Uo zero sequence voltage, below which no directionality is possible. % of the rated voltage of the voltage transformer input.						
TOC67N_UoMin_IPar_	Min Res Voltage	%	1	20	1	2
The threshold value for the 3Io zero sequence current, below which no operation is possible. % of the rated current of the current transformer input.						
TOC67N_IoMin_IPar_	Min Res Current	%	1	50	1	5
Operating angle (See <i>Figure 1-1</i>)						
TOC67N_ROA_IPar_	Operating Angle	deg	30	85	1	60
Characteristic angle (See <i>Figure 1-1</i>)						
TOC67N_RCA_IPar_	Characteristic Angle	deg	-180	180	1	60
Start current (TOC51N module)						
TOC67N_StCurr_IPar_	Start Current *	%	10	1000	1	50
TOC67N_StCurr_IPar_	Start Current **	%	5	1000	1	50

* In = 1 A or 5 A

** In = 200 mA or 1 A

Table 1-12 Integer parameters of the directional residual overcurrent protection function

Float parameter

Parameter name	Title	Unit	Min	Step	Step	Default
Time multiplier of the inverse characteristics (TOC51N module)						
TOC67N_Multip_FPar_	Time Multiplier		0.05	15	0.01	1.0

Table 1-13 Float parameter of the directional residual overcurrent protection function

Timer parameters

Parameter name	Title	Unit	Min	Max	Step	Default
Minimal time delay for the inverse characteristics (TOC 51N module):						
TOC67N_MinDel_TPar_	Min Time Delay *	msec	30	60000	1	100
Definite time delay (TOC 51N module):						
TOC67N_DefDel_TPar_	Definite Time Delay **	msec	30	60000	1	100
Reset time delay for the inverse characteristics (TOC 51N module):						
TOC67N_Reset_TPar_	Reset Time *	msec	60	60000	1	100

*Valid for inverse type characteristics only

**Valid for definite type characteristics only

Table 1-14 Timer parameters of the directional residual overcurrent protection function

3.1.17.4.3. Summary of the generated output signals

Binary status signal	Title	Explanation
TOC67N_GenSt_Grl_	Start	General start signal of the function
TOC67N_GenTr_Grl_	Trip	General trip command of the function

Table 1-15 The binary output status signals of the directional residual overcurrent protection function

3.1.17.4.4. Summary of the input signals

Binary status signals

The directional residual overcurrent protection function has a binary input status signal. **The conditions are defined by the user applying the graphic equation editor.**

Binary status signal	Title	Explanation
TOC67N_Blk_GrO_	Block	Blocking input status signal

Table 1-16 The binary input signal of the directional residual overcurrent protection function

3.1.17.4.5. The function block

The function block of the residual directional overcurrent protection function is shown in Figure 1-3. This block shows all binary input and output status signals that are applicable in the graphic equation editor.

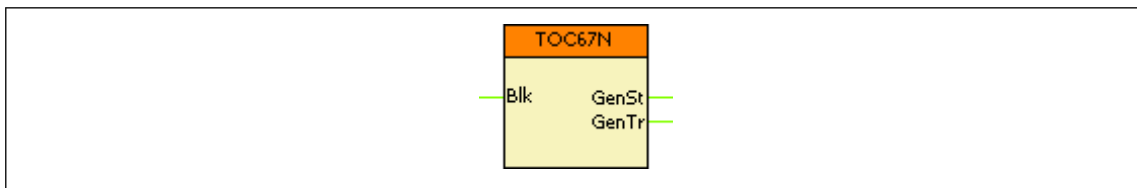
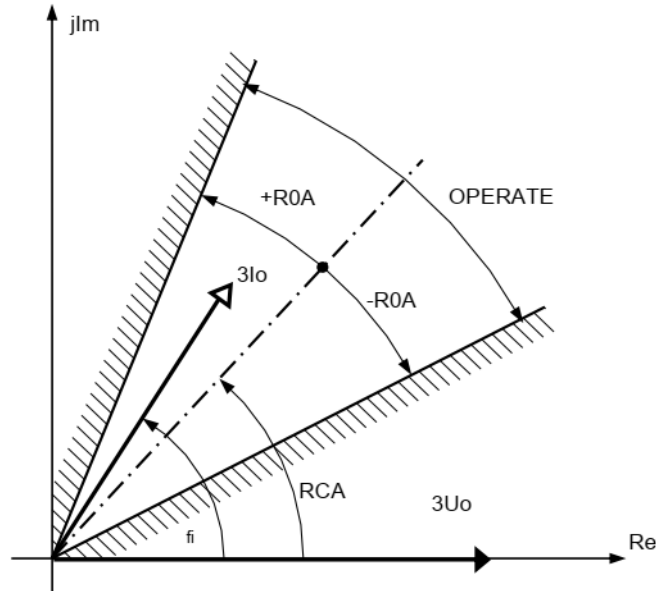


Figure 1-3 The function block of the residual overcurrent protection function

The names of the input and output signals are parts of the “Binary status signal” names listed in Table 1-15 and Table 1-16 above.

3.1.17.5. APPENDIX Pre-configured setting values of the directional residual overcurrent protection function

3.1.17.5.1. Setting: Direction = Forward-Angle

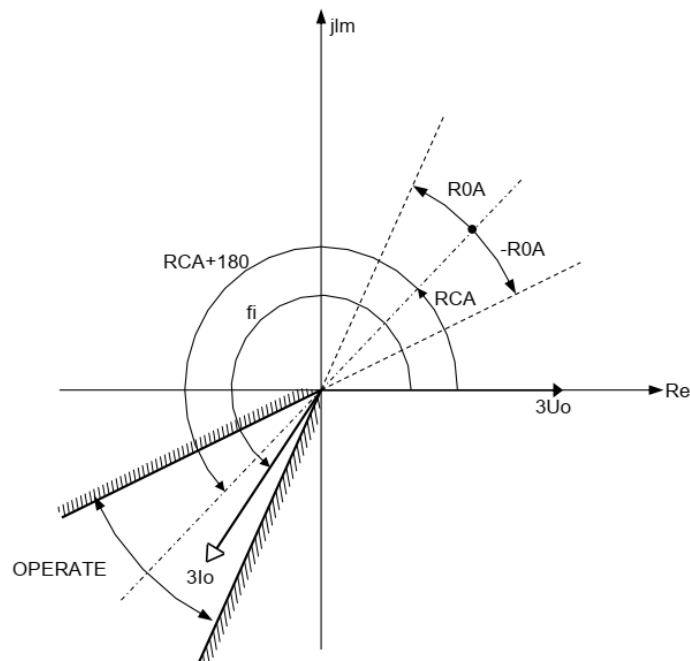


For the operation the residual current ($3I_o$) must be within the “OPERATE” area.

Additional conditions for operation:

- The magnitude of the residual current is above the setting value:
 $|3I_o| > \text{“Start current”}$
- The magnitude of the residual voltage is above the setting value:
 $|3U_o| > \text{“Min Res Voltage”}$

3.1.17.5.2. Setting: Direction = Backward-Angle



For the operation the residual current ($3I_0$) must be within the “OPERATE” area.

Additional conditions for operation:

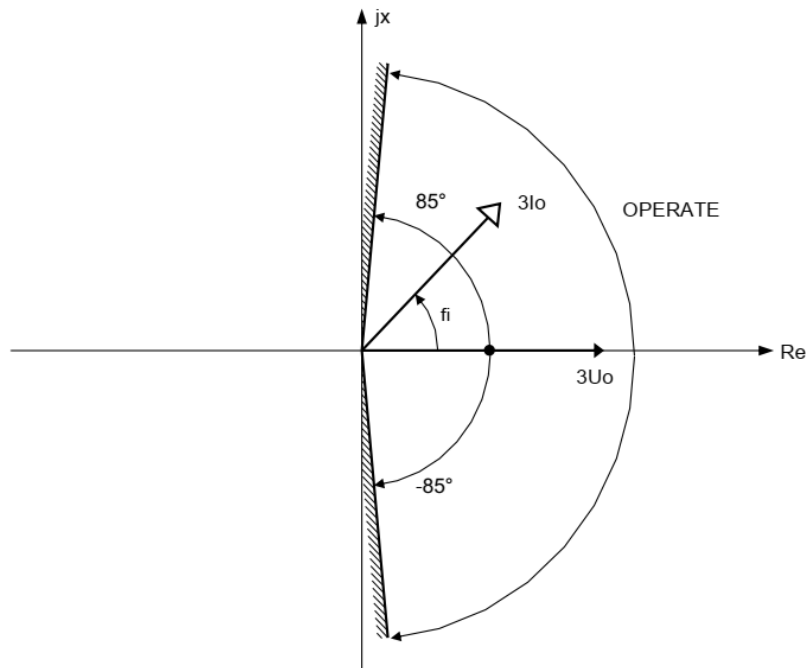
- The magnitude of the residual current is above the setting value:

$$|3I_0| > \text{“Start current”}$$

- The magnitude of the residual voltage is above the setting value:

$$|3U_0| > \text{“Min Res Voltage”}$$

3.1.17.5.3. Setting: Direction = Forward- $I \cdot \cos(\phi_i)$



For the operation the residual current ($3I_0$) must be within the “OPERATE” area.

Additional conditions for operation:

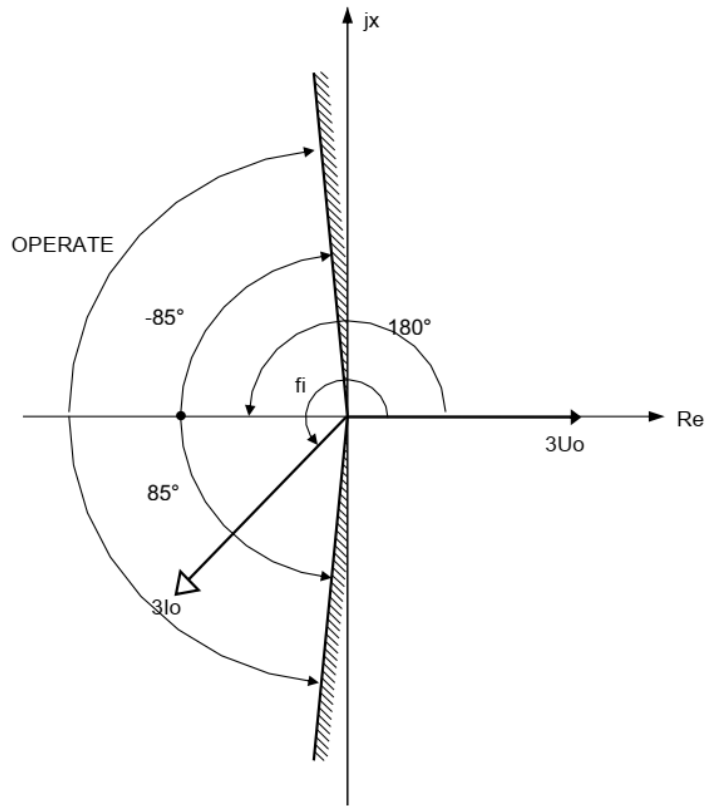
- The magnitude of the residual current projected to the real axis is above the setting value:

$$|3I_0| \cdot \cos(\phi_i) > \text{“Start current”}$$

- The magnitude of the residual voltage is above the setting value:

$$|3U_0| > \text{“Min Res Voltage”}$$

3.1.17.5.4. Setting: Direction = Backward- $I \cdot \cos(\phi_i)$



For the operation the residual current ($3I_o$) must be within the “OPERATE” area.

Additional conditions for operation:

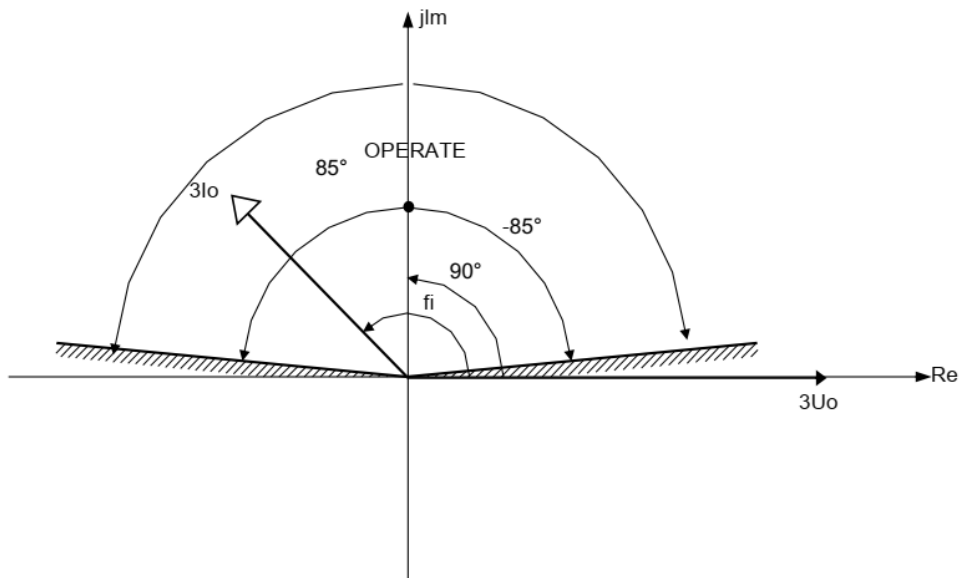
- The magnitude of the residual current projected to the negative real axis is above the setting value:

$$|3I_o| \cdot \cos(\phi_i - 180^\circ) > \text{“Start current”}$$

- The magnitude of the residual voltage is above the setting value:

$$|3U_o| > \text{“Min Res Voltage”}$$

3.1.17.5.5. Setting: Direction = Forward- $I \cdot \sin(\phi_i)$



For the operation the residual current ($3I_o$) must be within the “OPERATE” area.

Additional conditions for operation:

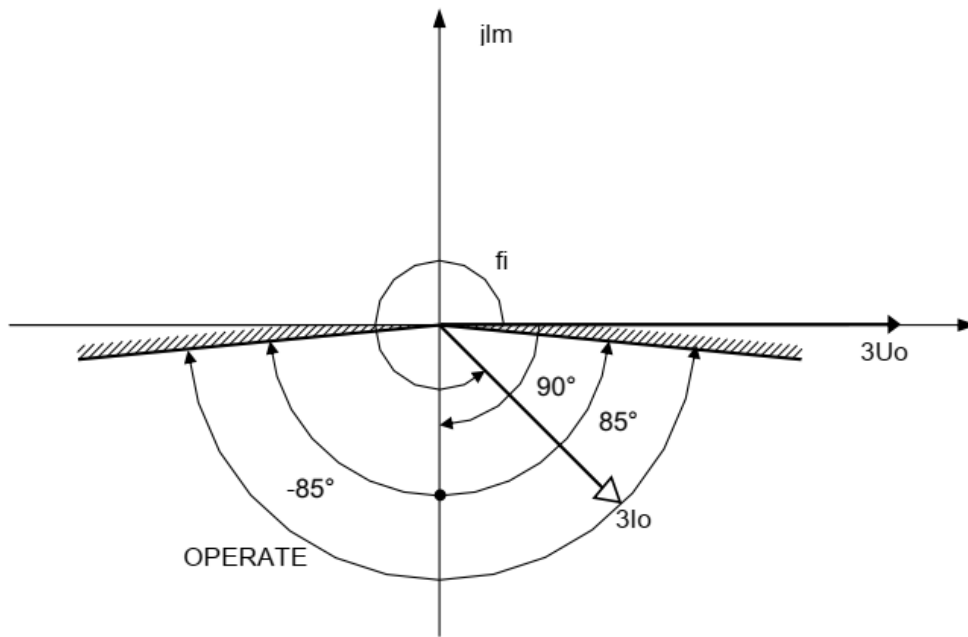
- The magnitude of the residual current projected to the imaginary axis is above the setting value:

$$|3I_o| \cdot \sin(\phi_i) > \text{“Start current”}$$

- The magnitude of the residual voltage is above the setting value:

$$|3U_o| > \text{“Min Res Voltage”}$$

3.1.17.5.6. Setting: Direction = Backward- $I \cdot \sin(\phi_i)$



For the operation the residual current ($3I_o$) must be within the “OPERATE” area.

Additional conditions for operation:

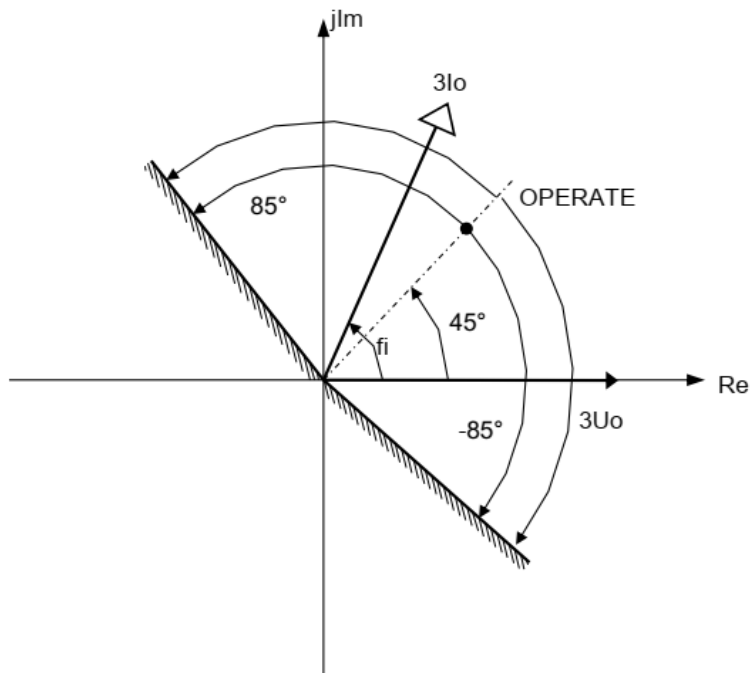
- The magnitude of the residual current projected to the negative imaginary axis is above the setting value:

$$|3I_o| \cdot \sin(\phi_i - 180) > \text{“Start current”}$$

- The magnitude of the residual voltage is above the setting value:

$$|3U_o| > \text{“Min Res Voltage”}$$

3.1.17.5.7. Setting: Direction = Forward-I* $\sin(\phi_i+45^\circ)$



For the operation the residual current ($3I_o$) must be within the “OPERATE” area.

Additional conditions for operation:

- The magnitude of the residual current projected to the line of the characteristic angle (45°) is above the setting value:

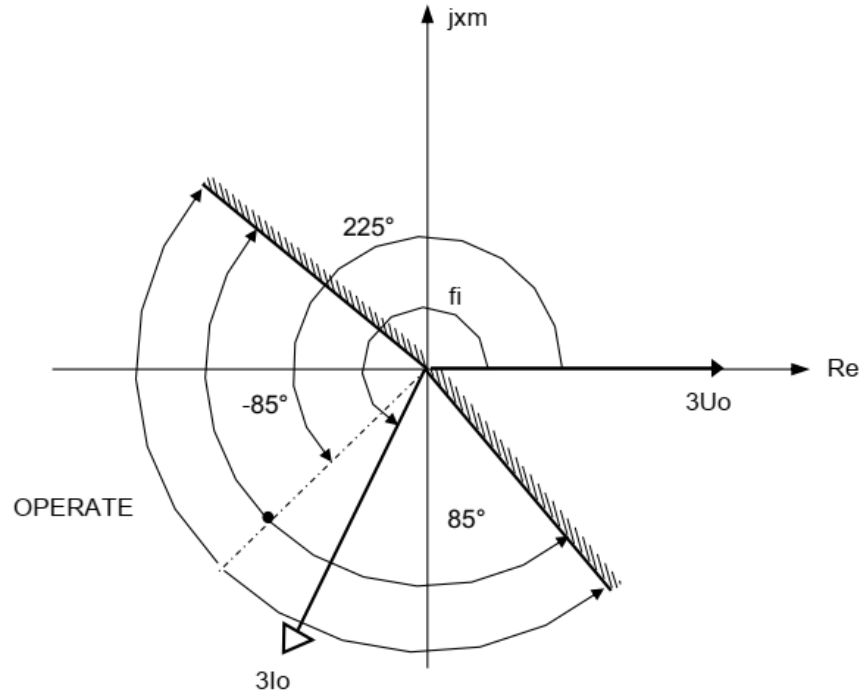
$$|3I_o| \cdot \cos(\phi_i - 45^\circ) > \text{“Start current”}$$

- The magnitude of the residual voltage is above the setting value:

$$|3U_o| > \text{“Min Res Voltage”}$$

Note: Because of the characteristic angle is 45° ,
 $\cos(\phi_i - 45^\circ) = \sin(\phi_i + 45^\circ)$

3.1.17.5.8. Setting: Direction = Backward- $I \cdot \sin(\phi_i + 45)$



For the operation the residual current ($3I_o$) must be within the “OPERATE” area. Additional conditions for operation:

- The magnitude of the residual current projected to the line of the characteristic angle (225°) is above the setting value:

$$|3I_o| \cdot \cos(\phi_i - 225^\circ) > \text{“Start current”}$$

- The magnitude of the residual voltage is above the setting value:

$|3U_o| > \text{“Min Res Voltage”}$ Note: Because of the characteristic angle is 225° , $\cos(\phi_i - 225^\circ) = \sin(\phi_i + 45^\circ)|_{BW}$

3.1.18. Inrush current detection function

3.1.18.1. Application

When an inductive element with an iron core (transformer, reactor, etc.) is energized, high current peak values can be detected. This is caused by the transient asymmetric saturation of the iron core as a nonlinear element in the power network. The sizing of the iron core is usually sufficient to keep the steady state magnetic flux values below the saturation point of the iron core, so the inrush transient slowly dies out. These current peaks depend also on random factors such as the phase angle at energizing. Depending on the shape of the magnetization curve of the iron core, the detected peaks can be several times above the rated current peaks. Additionally, in medium or high voltage networks, where losses and damping are low, the indicated high current values may be sustained at length. Figure 1-1 shows a typical example for the inrush current shapes of a three-phase transformer.

As a consequence, overcurrent relays, differential relays or distance relays may start, and because of the long duration of the high current peaks, they may generate an unwanted trip command.

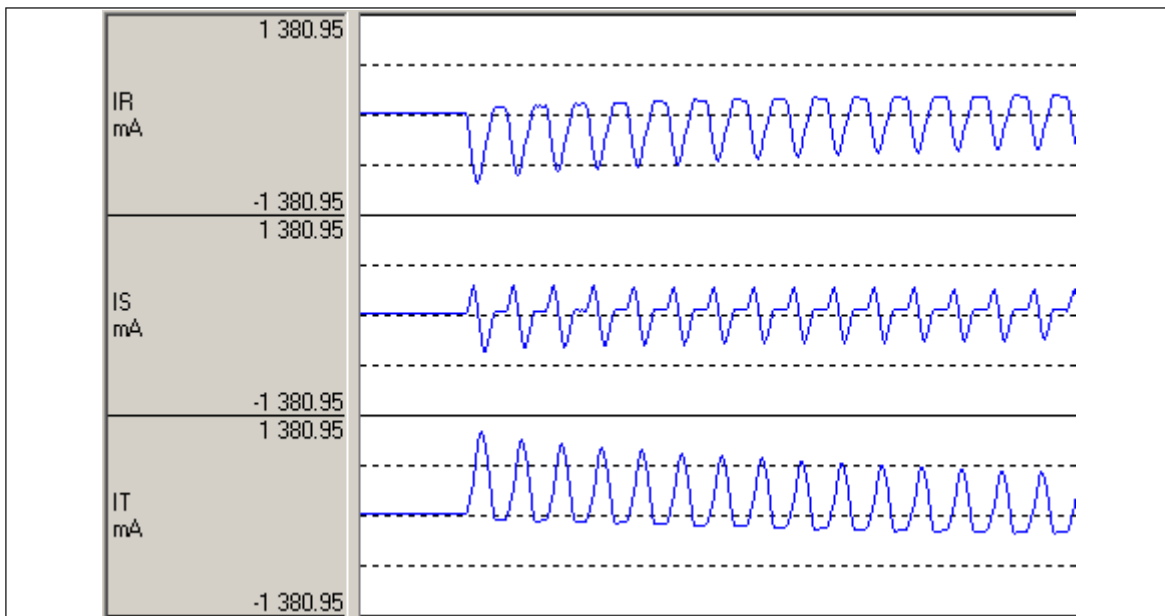
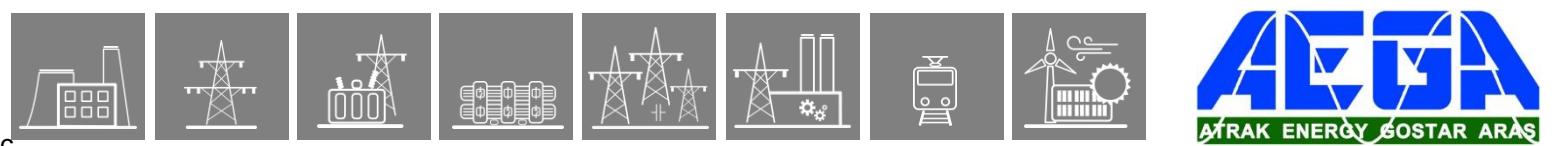


Figure 1-1 Example: A typical inrush current

The inrush current detection function can distinguish between high currents caused by overload or faults and the high currents during the inrush time.

Using the inrush detection binary signals, other protection functions can be blocked during the transient period so as to avoid the unwanted trip.

Some protection functions use these signals automatically, but a stand-alone inrush detection function block is also available for application at the user's discretion.



3.1.18.1.1. Mode of operation

The operating principle of the inrush current detection function is based on the special shape of the inrush current.

As Figure 1-1 shows, the typical inrush current in one or two phases is distorted and asymmetrical to the time axis: for example, in IT of the Figure above the positive peaks are high while no peaks can be detected in the negative domain.

The theory of the Fourier analysis states that even harmonic components (2nd, 4th etc.) are dominant in waves distorted as described above. The component with the highest value is the second one.

Typical overload and fault currents do not contain high even harmonic components.

The inrush current detection function processes the Fourier basic harmonic component and the second harmonic component of the three phase currents. If the ratio of the second harmonic and the base Fourier harmonic is above the setting value of the parameter 2nd Harm Ratio, an inrush detection signal is generated.

The signal is output only if the base harmonic component is above the level defined by the setting of the parameter IPh Base Sens. This prevents unwanted operation in the event that low currents contain relatively high error signals.

The function operates independently using all three phase currents individually, and additionally, a general inrush detection signal is generated if any of the phases detects inrush current.

The function can be disabled by the binary input INR2_Blk_GrO_. This signal is the result of logic equations graphically edited by the user.

The **inputs** of the inrush current detection function are

- the basic and second Fourier components of three phase currents,
- binary input,
- parameters.

The **output** signals of the inrush current detection function are

- inrush detection in phases L1, L2 or L3 individually,
- a general inrush detection signal.

3.1.18.2. Inrush current detection function overview

The function block of the inrush current detection function is shown in Figure 2-1. This block shows all binary input and output status signals that are applicable in the graphic equation editor.

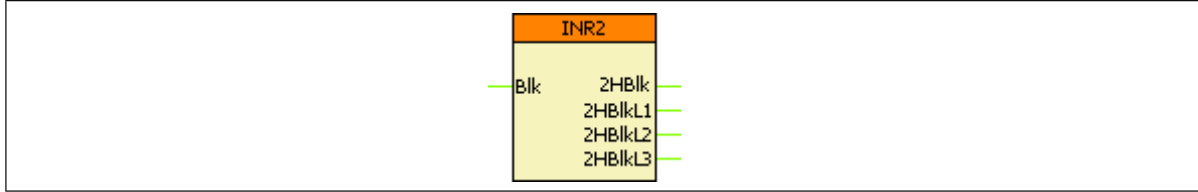


Figure 2-1 The function block of the inrush current detection function

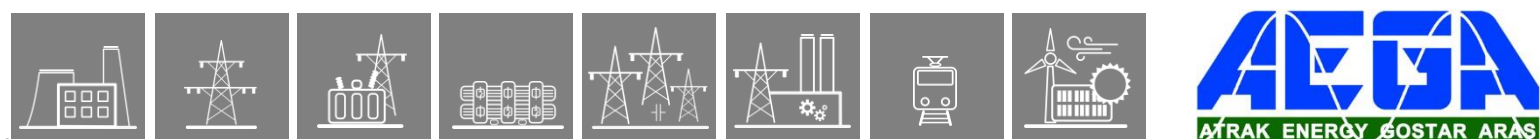
3.1.18.2.1. Settings

3.1.18.2.1.1. Parameters

The available parameters are listed below in order of their appearance in the *parameters* menu. If the setting range of a parameter should be extended, contact Protecta Support.

Table 2-1 Parameters of the inrush current detection function

TITLE	DIM	RANGE	STEP	DEFAULT	EXPLANATION
Operation	-	Off, On	-	Off	Enabling the function
2 nd Harm Ratio	%	5 – 50	1	15	Ratio of the second harmonic Fourier component and the basic harmonic component.
I _{Ph} Base Sens	%	20 – 100	1	30	The function operates only if the base harmonic component is be above this setting



3.1.18.2.2. Function I/O

This section briefly describes the analogue and digital inputs and outputs of the function block.

3.1.18.2.2.1. Analogue inputs

The basic and second Fourier components of three phase currents.

3.1.18.2.2.2. Binary input signals (graphed output statuses)

The conditions of the binary inputs are defined by the user, applying the graphic equation editor (*Logic Editor*). Parts written in **bold** are seen on the left side function block in the Logic editor.

Table 2-2 The binary input signal of the inrush current detection function

BINARY INPUT SIGNAL	EXPLANATION
INR2_ B Ik_GrO_	Blocking input of the function

3.1.18.2.2.3. Binary output signals (graphed input statuses)

These signals can be used in EuroCAP to assign to LED, user LCD object etc. Parts written in **bold** are seen on the right side of the function block in the *Logic Editor*.

Table 2-3 The binary output signals of the inrush current detection function

BINARY OUTPUT SIGNAL	SIGNAL TITLE	EXPLANATION
INR2_ 2 HBIk_GrI_	Inrush	Inrush current detected in one of the three phases
INR2_ 2 HBIkL1_GrI_	Inrush L1	Inrush current detected in phase L1
INR2_ 2 HBIkL2_GrI_	Inrush L2	Inrush current detected in phase L2
INR2_ 2 HBIkL3_GrI_	Inrush L3	Inrush current detected in phase L3

3.1.18.2.2.4. Online data

Visible values on the *online data* page.

Table 2-4 Online displayed data of the inrush current detection function

SIGNAL TITLE	DIMENSION	EXPLANATION
Inrush L1	-	Inrush current detected in phase L1
Inrush L2	-	Inrush current detected in phase L2
Inrush L3	-	Inrush current detected in phase L3
Inrush	-	Inrush current detected in one of the three phases

3.1.18.2.2.5. Events

The following events are generated in the event list, as well as sent to the SCADA according to the configuration.

Table 2-5 Generated events of the inrush current detection function

EVENT	VALUE	EXPLANATION
2 nd Harm. Restraint	off, on	Inrush current detected in one of the three phases



3.1.18.2.3. Technical data

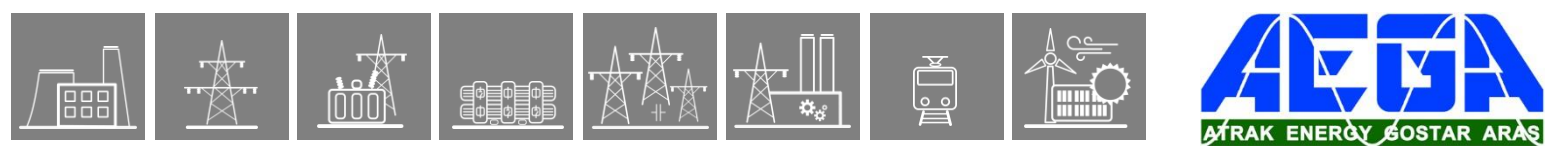
Table 2-6 Technical data of the inrush current detection function

FUNCTION	VALUE	ACCURACY
Current accuracy	20 – 2000% of I_n	$\pm 1\%$ of I_n

3.1.18.2.4. Notes for testing

The differential protection function block (DIF87) has its own, built-in 2nd harmonic restraint feature which works independently from the function described here. For further information, see the Differential Protection Function description.

Keep in mind that there is a minimum requirement for the fundamental component of the current (% is the % of the CT nominal), and the function operates according to the 2nd harmonic content related to the fundamental component.



3.1.19. HV AutoReclosing

3.1.19.1. Application

The HV automatic reclosing function for high voltage networks can realize up to four shots of reclosing. The dead time can be set individually for each reclosing and separately for single-phase faults and for multi-phase faults.

The starting signal of the cycles can be generated by any combination of the protection functions or external signals of the binary inputs. The selection to generate the binary input REC79_St_GrO_ (Protection Start) is made by graphic equation programming.

The automatic reclosing function is triggered if as a consequence of a fault a protection function generates a trip command to the circuit breaker and the protection function resets because the fault current drops to zero or the circuit breaker's auxiliary contact signals open state. According to the preset parameter values, either of these two conditions starts counting the dead time, at the end of which the HV automatic reclosing function generates a close command automatically. If the fault still exists or reappears, then within the "**Reclaim time**" (according to parameter setting REC79_Rec_TPar_), started at the close command, the protection functions picks up again and the subsequent cycle is started. If no pickup is detected within this time, then the HV automatic reclosing cycle resets and a new fault will start the procedure with the first cycle again.

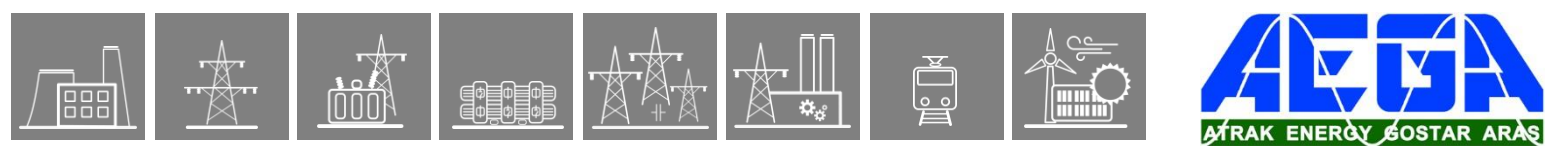
The sequence of the initial actions on starting the automatic reclosing function is as follows:

- Protection starting to the binary input REC79_St_GrO_ (Protection Start) starts the action time (REC79_Act_TPar_), during its running time, the protection trip should be got.
- Triggering signal of the HV automatic reclosing function to the binary input REC79_Tr_GrO_ (AutoReclosing Start) is the protection trip, it starts the „Run” state („In progress” state, REC79_Run_GrI_) and starts the Start Signal Max Time (REC79_MaxSt_TPar_) counter. During its running time, according to the preset parameter value, protection trip resetting or CB open signal (starting signal) should be got.
- Starting signal of the HV automatic reclosing function can be protection trip resetting or CB open signal which starts the dead time.
- Close command is generated at the dead time end, and it starts the reclaim time (REC79_Rec_TPar).

There are some additional requirements to perform automatic reclosing:

- The HV automatic reclosing function can be blocked by the variable REC79_BlK_GrO_, for which the user has to compose a graphic logical equation.
- After a pickup of the protection function, a timer starts to measure the "**Action time**" (the duration of which depends on parameter setting REC79_Act_TPar_ (Action time)). The trip command must be generated within this time to start reclosing cycles, or else the HV automatic function enters dynamic blocked state.
- At the moment of generating the close command, the circuit breaker must be ready for operation, which is signaled via binary input REC79_CBRdy_GrO_ (CB Ready). The preset parameter value REC79_CBTO_TPar_ (CB Supervision time) decides how long the HV automatic reclosing function is allowed to wait when the function is in "In Progress" state. If the signal is not received during this time, then the HV automatic reclosing function terminates and after a "**dynamic blocking time**" (depending on the preset parameter value REC79_DynBlk_TPar_ (Dynamic Blocking time)) the function resets.

Depending on the preset parameter value, the HV automatic reclosing function can influence the operation of the protection functions as well. The binary outputs of the HV automatic reclosing function, including the "In progress" (Run) state, can be applied for this purpose in the graphic equation editor. (See Chapter 1.3.5)



In case of a manual close command which is assigned to the logic variable REC79_ManCI_GrO_ (Manual Close) using graphic equation programming, a preset parameter value decides how long the HV automatic reclosing function should be disabled **after the manual close** command.

The **duration of the close command** depends on preset parameter value REC79_Close_TPar_ (Close command time), but the close command terminates if any of the protection functions issues a trip command.

3.1.19.2. Mode of operation

The HV automatic reclosing function can control up to four reclosing cycles. Depending on the preset parameter value REC79_CycEn_EPar_ (Reclosing cycles), there are different modes of operation:

Disabled	No automatic reclosing is selected,
1. Enabled	Only one automatic reclosing cycle is selected,
1.2. Enabled	Two automatic reclosing cycles are activated,
1.2.3. Enabled	Three automatic reclosing cycles are activated,
1.2.3.4. Enabled	All automatic reclosing cycles are activated.

The function can be switched Off /On using the parameter REC79_Op_EPar_ (Operation).

The user can also block the HV automatic reclosing function applying the graphic equation editor. The binary status variable to be programmed is REC79_BlK_GrO_ (Block).

If the device is generally blocked, then the HV automatic reclosing function is also blocked.

3.1.19.2.1. Starting the HV automatic reclosing cycle

Depending on the present parameter value REC79_St_EPar_ (Reclosing started by), the HV automatic reclosing function can be started either by resetting of the TRIP command (setting: Trip reset) or by the binary signal indicating the open state of the circuit breaker (setting: CB open).

If the reset state of the TRIP command is selected to start the HV automatic reclosing function, then the binary status variable to be programmed is: REC79_Tr_GrO_ (AutoReclosing Start).

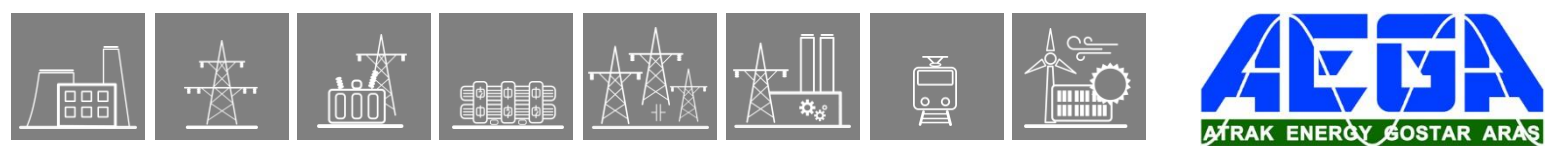
If the open state of the circuit breaker is selected to start the HV automatic reclosing function (CB open), then also the binary status variable REC79_CBOpen_GrO_ (CB OPEN single-pole) is additionally to be programmed. This signal should be TRUE if at least one of the poles is open

The HV automatic reclosing function gets the trip commands of the protection functions intended to trigger the reclosing function. The conditions for detecting the triggered state of the protection functions are defined by the user applying the graphic equation editor. The binary status variable to be programmed is: REC79_Tr_GrO_ (AutoReclosing Start). This signal starts a dedicated timer, the elapsed time of which is compared to the preset parameter value REC79_MaxSt_TPar_ (Start-signal Max.Tim).

The HV automatic reclosing function enters the dynamic blocking state:

- If the parameter selected for REC79_St_EPar_ (Reclosing started by) is “Trip reset”, and the trip impulse is too long
- If the parameter selected for REC79_St_EPar_ (Reclosing started by) is “CB open”, then during the runtime of the timer CB open signal is not received

For further information about the dynamic blocking state see Chapter 1.2.17.



3.1.19.2.2. Starting the dead time counter

In the base case, the dead time counter of any reclosing cycle is started by the starting signal (See Chapter 1.2.1) but starting can be delayed. The delay is activated while the value of the REC79_DtDel_GrO_ (Dead Time Start Delay) status signal is TRUE. The conditions are defined by the user applying the graphic equation editor. This delay is limited by the timer parameter REC79_DtDel_TPar_ (DeadTime Max.Delay).

3.1.19.2.3. The dead time

For all four reclosing cycles, separate dead times can be defined for single-phase trip commands (as a consequence of single-phase faults) and for three-phase trip commands (as a consequence of multi-phase faults).

The timer parameters for single-phase trip commands are:

REC79_1PhDT1_TPar_	1. Dead Time 1Ph
REC79_1PhDT2_TPar_	2. Dead Time 1Ph
REC79_1PhDT3_TPar_	3. Dead Time 1Ph
REC79_1PhDT4_TPar_	4. Dead Time 1Ph

The timer parameters for three-phase trip commands are:

REC79_3PhDT1_TPar_	1. Dead Time 3Ph
REC79_3PhDT2_TPar_	2. Dead Time 3Ph
REC79_3PhDT3_TPar_	3. Dead Time 3Ph
REC79_3PhDT4_TPar_	4. Dead Time 3Ph

The different dead time settings can be justified as follows: in case of a single-phase fault, only the circuit breakers of the faulty phase open. In this case, due to the capacitive and inductive coupling of the healthy phases, the extinction of the secondary electric arc at the fault location can be delayed. Consequently, a longer dead time is needed for the fault current to extinguish than in the case of a three-phase open state, when no coupled voltage can sustain the fault current.

From other point of view, in case of a transmission line connecting two power systems, only a shorter dead time is allowed for the three-phase open state because, due to the possible power unbalance between the interconnected systems, a large angle difference can be reached if the dead time is too long. If only a single phase is open, then the two connected healthy phases and the ground can sustain the synchronous operation of both power systems.

3.1.19.2.4. Special dead time for the first cycle

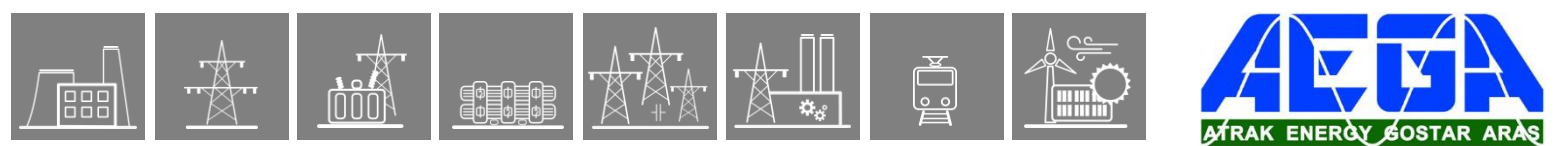
This special dead time can be necessary for the following reason:

Assume a line between substations A and B, and a protection system without tele-protection. In the event of a three-phase fault near substation B, the protection at A generates a trip command according to the second zone's time setting only, and starts measuring the dead time with considerable delay as compared to the protection at B, which generates a trip command immediately due to the close-in fault.

If the three-phase dead time is too short, the HV automatic reclosing at B may attempt to close the circuit breaker during the running time of the second zone trip at A, which means that the fault is not cleared yet. Consequently, a prolonged dead time is needed if the fault was detected in the first zone.

The preset timer parameter value is REC79_3PhDT1_TPar_2 (1. special DT 3Ph).

The special dead time is valid if the REC79_1cyc3PhFlt_GrO_ (3PhFault for Spec.DT1) status signal is TRUE. The conditions are defined by the user applying the graphic equation editor.



3.1.19.2.5. Reduced dead time

Dead time reduction may be applicable under the following circumstances:

If healthy voltage is measured in all three phases during the dead time, this means that no fault exists on the line. In this case, the expiry of the normal dead time need not be waited for, a reclosing attempt can be initiated immediately.

The dead time is terminated immediately if the REC79_RDT_GrO_ (Reduced DeadTime) status signal is TRUE. The conditions are defined by the user applying the graphic equation editor.

3.1.19.2.6. Three-phase trip

The HV automatic reclosing function is prepared to get the general trip command as programmed to the binary input status variable REC79_Tr_GrO_ (AutoReclosing Start) and the three-phase trip signal REC79_3PhTr_GrO_ (3Ph Trip). If no three-phase trip signal is received, then it performs automatic reclosing cycles with the dead times according to the setting for single phase cycles. The three-phase cycles are controlled by the status variable REC79_3PhTr_GrO_ (3Ph Trip). If this is TRUE, three-phase cycles are performed. The conditions are defined by the user applying the graphic equation editor.

If, during the cycles, the three-phase dead time is applied once, then all subsequent cycles will consider the three-phase dead time settings, too.

Three-phase reclosing can be disabled by the preset parameter value REC79_3PhRecBlk_BPar_ (Disable 3Ph Rec.). If the value of this parameter is TRUE, then if a three-phase trip command is received, the HV automatic reclosing function enters “Dynamic blocked” state.

For further information about the dynamic blocked state, see Chapter 1.2.17.

3.1.19.2.7. Checking the ready state of the circuit breaker

At the end of the dead time, reclosing is possible only if the circuit breaker can perform the command.

The binary variable REC79_CBRdy_GrO_ (CB Ready) indicates this state. The conditions are defined by the user applying the graphic equation editor.

If the circuit breaker is not ready, the controller functions wait for a pre-programmed time for this state. The waiting time is defined by the user as parameter value REC79_CBTO_TPar_ (CB Supervision time). If this condition is not fulfilled during the waiting time, then the HV automatic reclosing function enters “Dynamic blocked” state.

For further information about the dynamic blocked state, see Chapter 1.2.17.

3.1.19.2.8. Reclosing with synchronous state supervision

Reclosing is possible only if the conditions required by the *Synchro-check*, *synchro-switch* function are fulfilled. This state is signaled by the binary variable REC79_SynRel_GrO_ (SYNC Release) from the *Synchro-check*, *synchro-switch* function. The conditions are defined by the user applying the graphic equation editor. The HV automatic reclosing function waits for a pre-programmed time for this signal. This time is defined by the user as parameter value REC79_SYN1_TPar_ (SynCheck Max Time). If the “SynRel” signal is not received during the running time of this timer, then the “synchronous switch” operation is started (See Chapter



1.2.9) and the binary output signal REC79_**CIReq**_GrI_ (CIReq) is generated which is connected to the *Synchro-check*, *synchro-switch* function.

3.1.19.2.9. Reclosing with synchronous switching

If the conditions of the synchronous state are not fulfilled, another timer starts. This waiting time is defined by the user as parameter value REC79_SYN2_TPar_ (SynSW Max Time).

The separate *Synchro-check*, *synchro-switch* function controls the generation of the close command in case of relatively rotating voltage vectors on both sides of the circuit breaker to make contact at the synchronous state of the rotating vectors. For this calculation, the closing time of the circuit breaker must be defined in that function.

This mode of operation is indicated by the output variable REC79_**CIReq**_GrI_ (CIReq).

If no switching is possible during the running time of this timer, then the HV automatic reclosing function enters “Dynamic blocked” state and resets.

For further information about the dynamic blocked state, see Chapter 1.2.17.

3.1.19.2.10. Impulse duration of the CLOSE command

The “Close” impulse is generated as one of the output status signals of the HV automatic reclosing function REC79_**Close**_GrI_ (Close). This signal is common to all three phases. The impulse duration is defined by the user setting the timer parameter REC79_Close_TPar_ (Close command time).

3.1.19.2.11. Behavior after reclosing

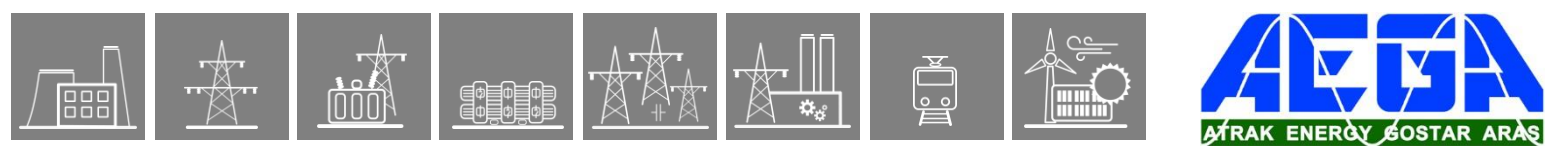
When the close command is generated, a timer is started to measure the “Reclaim time”. The duration is defined by the parameter value REC79_Rec_TPar_ (Reclaim time), but it is prolonged up to the reset of the close command (if the close command duration is longer than the reclaim time set). If the fault is detected again during this time, then the sequence of the HV automatic reclosing cycles continues. If no fault is detected, then at the expiry of the reclaim time the reclosing is evaluated as successful and the function resets. If fault is detected after the expiry of this timer, then the cycles restart with the first reclosing cycle.

If the user programmed the status variable REC79_**St**_GrO_ (Protection Start) and it gets TRUE during the Reclaim time, then the HV automatic reclosing function continues even if the trip command is received after the expiry of the Reclaim time.

3.1.19.2.12. Behavior after manual close command

This state of manual close command is signaled by the binary variable REC79_**ManCI**_GrO_ (Maunal Close). The conditions are defined by the user applying the graphic equation editor.

After a manual close command, the HV automatic reclosing function enters “Not Ready” state for the time period defined by parameter REC79_MC_TPar_ (Block after Man.Close). For “Not Ready” state, see Chapter 1.2.18.



If the manual close command is received during the running time of any of the cycles, then the HV automatic reclosing function enters “Dynamic blocked” state and resets. For dynamic blocked state, see Chapter 1.2.17.

3.1.19.2.13. Behavior in case of evolving fault

In case of evolving faults (when a single-phase fault detected changes to multi-phase fault), the behavior of the automatic reclosing function is controlled by the preset parameter value REC79_EvoFlt_EPar_ (Evolving fault). The options are

- “Block Reclosing” or
- “Start 3Ph Rec.”.

If “Block Reclosing” is selected, the HV automatic reclosing function enters dynamic blocked state (See Chapter 1.2.17.), and the subsequent reclosing command is not generated.

If “Start 3Ph Rec.” is selected, the HV automatic reclosing function goes on performing the subsequent cycle according to the three-phase parameters.

3.1.19.2.14. The final trip

If the fault still exists at the end of the last cycle, the HV automatic reclosing function generates the signal for final trip: REC79_FinTr_GrI_ (FinTr). The same final trip signal is generated in case of an evolving fault if “Block Reclosing” is selected (see Chapter 1.2.13). After final trip, the HV automatic reclosing function enters “Dynamic blocked” state.

A final trip command is also generated if, after a multi-phase fault, a fault is detected again during the dead time.

For further information about the dynamic blocked state, see Chapter 1.2.17.

3.1.19.2.15. Action time

The user can compose the binary status variable REC79_St_GrO_ (Protection Start) to indicate the start of the protection functions, whose operations are related to the HV automatic reclosing function. See Chapter 1.1 This signal starts the “Action time”, the duration of which is defined by the preset parameter value REC79_Act_TPar_ (Action time). During the running time, the HV automatic reclosing function waits for the trip command. If no trip command is received, then the HV automatic reclosing function enters “Dynamic blocked” state.

For further information about the dynamic blocked state, see Chapter 1.2.17.

3.1.19.2.16. Accelerating trip commands

Depending on the Boolean parameter settings, the automatic reclosing function block can accelerate trip commands of the individual reclosing cycles. This means that the output REC79_TrAcc_GrI_ (TrAcc) of the function block gets active for the first starting state of the protection function or at the end of the dead time of the running cycle, if the dedicated parameter enables acceleration. This signal “TrAcc” needs user-programmed graphic equations to generate the accelerated trip command.



3.1.19.2.17. Dynamic blocking conditions

There are several conditions to result dynamic blocked state of the HV automatic reclosing function. This state becomes valid if any of the conditions of the dynamic blocking get TRUE during the running time of any of the reclosing cycles.

At the time of the change to start the dynamic blocked state a timer is started, the running duration of which is defined by the time parameter REC79_DynBlk_TPar_ (Dynamic Blocking time). During its running time the function is blocked, no reclosing command is generated.

The conditions to start the dynamic blocked state are:

- There is no trip command during the “Action time” (See Chapter 1.2.15).
- The duration of the starting impulse for the HV automatic reclosing function is too long (See Chapter 1.2.1).
- If no “CB ready” signal is received at the intended time of reclosing command (See Chapter 1.2.7)
- The dead time is prolonged further then the preset parameter value REC79_DtDel_TPar_ (DeadTime Max.Delay) (See Chapter 1.2.2).
- The waiting time for the “SYNC Release” signal is too long (See Chapter 1.2.9)
- After the final trip command (See Chapter 1.2.14).
- Automatic reclosing is started during the blocking time after a manual close command (See Chapter 1.2.12)
- While *CB State Monitoring* is on, a manual open command (the status variable REC79_CBOpen_GrO_ (CB OPEN single-pole) gets TRUE without REC79_Tr_GrO_ (AutoReclosing Start).
- In case of a three-phase trip command if the preset parameter REC79_3PhRecBlk_BPar_ (Disable 3Ph Rec.) is set to TRUE. (See Chapter 1.2.6)
- In case of evolving faults, if the parameter setting for REC79_EvoFlt_EPar_ (Evolving fault) is “Block Reclosing” (See Chapter 1.2.13)
- Automatic reclosing is started during a general block (the device is blocked, see Chapter 1.2).

In a dynamic blocked state, the REC79_Blocked_GrI_ (Blocked) status signal is TRUE (similar to “Not ready” conditions).

3.1.19.2.18. “Not Ready” conditions

There are several conditions to result “Not Ready” state of the HV automatic reclosing function. This state becomes valid if any of the conditions of the blocking get TRUE outside the running time of the reclosing cycles.

- Reclosing is disabled by the parameter REC79_Op_EPar_ (Operation) if it is selected to “Off”. (See Chapter 1.2)
- No reclosing cycles are selected by the parameter REC79_CycEn_EPar_ (Reclosing cycles) if it is set to “Disabled” (See Chapter 1.2)
- The circuit breaker is not ready for operation: the result of the graphic programming of the binary variable REC79_CBRdy_GrO_ (CB Ready) is FALSE. (See Chapter 1.2.7)
- After a manual close command (See Chapter 1.2.12)
- If the parameter REC79_CBState_BPar_ (CB State Monitoring) is set to TRUE and the circuit breaker is in Open state, i.e., the value of the REC79_CBOpen_GrO_ (CB OPEN single-pole) status variable gets TRUE.
- The starting signal for automatic reclosing is selected by parameter REC79_St_EPar_ (Reclosing started by) to be “CB open” and the circuit breaker is in Open state.
- In case of a general block (the device is blocked, see Chapter 1.2).

In a “Not ready” state, the REC79_Blocked_GrI_ (Blocked) status signal is TRUE (similar to “Dynamic blocking” conditions).

3.1.19.3. Technical summary

3.1.19.3.1. Technical data

Function	Accuracy
Operating time	±1% of setting value or ±30 ms

Table 1-1 Technical data of the HV automatic reclosing function

3.1.19.3.2. Summary of the parameters

Enumerated parameters

Parameter name	Title	Selection range	Default
Switching ON/OFF the HV automatic reclosing function (See Chapter 1.2)			
REC79_Op_EPar_	Operation	Off, On	On
Selection of the number of reclosing sequences (See Chapter 1.2)			
REC79_CycEn_EPar_	Reclosing Cycles	Disabled, 1. Enabled, 1.2. Enabled, 1.2.3. Enabled, 1.2.3.4. Enabled	1. Enabled
Selection of triggering the dead time counter (trip signal reset or circuit breaker open position, see Chapter 1.2.1)			
REC79_St_EPar_	Reclosing Started by	Trip reset, CB open	Trip reset
Selection of behavior in case of evolving fault (block reclosing or perform three-phase automatic reclosing cycle, see Chapter 1.2.13)			
REC79_EvoFlt_EPar_	Evolving Fault	Block Reclosing, Start 3Ph Rec.	Block Reclosing

Tables 1-2 The enumerated parameters of the HV automatic reclosing function

Timer parameters

Parameter name	Title	Unit	Min	Max	Step	Default
Dead time setting for the first reclosing cycle for single-phase fault (See Chapter 1.2.3)						
REC79_1PhDT1_TPar_	1. Dead Time 1Ph	msec	0	100000	10	500
Dead time setting for the second reclosing cycle for single-phase fault (See Chapter 1.2.3)						
REC79_1PhDT2_TPar_	2. Dead Time 1Ph	msec	10	100000	10	600
Dead time setting for the third reclosing cycle for single-phase fault (See Chapter 1.2.3)						
REC79_1PhDT3_TPar_	3. Dead Time 1Ph	msec	10	100000	10	700
Dead time setting for the fourth reclosing cycle for single-phase fault (See Chapter 1.2.3)						
REC79_1PhDT4_TPar_	4. Dead Time 1Ph	msec	10	100000	10	800
Dead time setting for the first reclosing cycle for multi-phase fault (See Chapter 1.2.3)						
REC79_3PhDT1_TPar_1	1. Dead Time 3Ph	msec	0	100000	10	1000
Special dead time setting for the first reclosing cycle for multi-phase fault (See Chapter 1.2.4)						
REC79_3PhDT1_TPar_2	1. Special DT 3Ph	msec	0	100000	10	1350
Dead time setting for the second reclosing cycle for multi-phase fault (See Chapter 1.2.3)						
REC79_3PhDT2_TPar_	2. Dead Time 3Ph	msec	10	100000	10	2000
Dead time setting for the third reclosing cycle for multi-phase fault (See Chapter 1.2.3)						
REC79_3PhDT3_TPar_	3. Dead Time 3Ph	msec	10	100000	10	3000
Dead time setting for the fourth reclosing cycle for multi-phase fault (See Chapter 1.2.3)						
REC79_3PhDT4_TPar_	4. Dead Time 3Ph	msec	10	100000	10	4000
Reclaim time setting (See Chapter 1.2.11)						
REC79_Rec_TPar_	Reclaim Time	msec	100	100000	10	2000
Impulse duration setting for the CLOSE command (See Chapter 1.2.10)						
REC79_Close_TPar_	Close Command Time	msec	10	10000	10	100
Setting of the dynamic blocking time (See Chapter 1.2.17)						
REC79_DynBlk_TPar_	Dynamic Blocking Time	msec	10	100000	10	1500
Setting of the blocking time after manual close command						
REC79_MC_TPar_	Block after Man.Close	msec	0	100000	10	1000
Setting of the action time (See Chapter 1.2.15)						
REC79_Act_TPar_	Action Time	msec	0	20000	10	1000
Limitation of the starting signal (See Chapter 1.2.1)						
REC79_MaxSt_TPar_	Start Signal Max Time	msec	0	10000	10	1000
Maximum delaying the start of the dead-time counter (See Chapter 1.2.2)						
REC79_DtDel_TPar_	DeadTime Max Delay	msec	0	100000	10	3000
Waiting time for circuit breaker ready signal (See Chapter 1.2.7)						
REC79_CBTO_TPar_	CB Supervision Time	msec	10	100000	10	1000
Waiting time for synchronous state signal (See Chapter 1.2.8)						
REC79_SYN1_TPar_	SynCheck Max Time	msec	500	100000	10	10000
Waiting time for synchronous switching (See Chapter 1.2.9)						
REC79_SYN2_TPar_	SynSw Max Time	msec	500	100000	10	10000

Table 1-3 Timer parameters of the HV automatic reclosing function

Boolean parameters

Parameter name	Title	Default	Explanation
REC79_CBState_BPar_	CB State Monitoring	0	Enable CB state monitoring for “Not Ready” state (See Chapter 1.2.18)
REC79_3PhRecBlk_BPar_	Disable 3Ph Rec.	0	Disable three-phase reclosing (See Chapter 1.2.6)
REC79_Acc1_BPar_	Accelerate 1.Trip	0	Accelerate trip command starting cycle 1 (See Chapter 1.2.16)
REC79_Acc2_BPar_	Accelerate 2.Trip	0	Accelerate trip command starting cycle 2 (See Chapter 1.2.16)
REC79_Acc3_BPar_	Accelerate 3.Trip	0	Accelerate trip command starting cycle 3 (See Chapter 1.2.16)
REC79_Acc4_BPar_	Accelerate 4.Trip	0	Accelerate trip command starting cycle 4 (See Chapter 1.2.16)
REC79_Acc5_BPar_	Accelerate FinTrip	0	Accelerate final trip command (See Chapter 1.2.16)

Table 1-4 Boolean parameters of the HV automatic reclosing function

3.1.19.3.3. Summary of the generated output signals

The **binary output status signals** of the HV automatic reclosing function are listed in Table 1-5.

Binary output status signal	Title	Explanation
REC79_Blocked_Grl_	Blocked	The HV automatic reclosing function is in blocked state. (See Chapters 1.2.17 and 1.2.18)
REC79_Close_Grl_	Close command	Close command of the HV automatic reclosing function. (See Chapter 1.2.10)
REC79_CIReq_Grl_	CloseRequ. SynSwitch	The closing requests synchronous switching. (See Chapter 1.2.9)
REC79_FinTr_Grl_	Final Trip	Indication of final trip state. (See Chapter 1.2.14)
REC79_TrAcc_Grl_	Acceleration	Trip command acceleration. (See Chapter 1.2.16)
REC79_Run_Grl_	AR in progress	The automatic reclosing is running (“In progress” state).

Table 1-5 The binary output status signals of the HV automatic reclosing function

3.1.19.3.4. Summary of the input signals

The HV automatic reclosing function has binary input status signals. The conditions are defined by the user applying the graphic equation editor.

The **binary input status signals** of the HV automatic reclosing function are listed in Table 1-6.

Binary input status signal	Title	Explanation
REC79_Blk_GrO_	Block	Signal for blocking the automatic reclosing function externally (See Chapter 1.2)
REC79_St_GrO_	Protection Start	Start signal of a protection function. (See Chapter 1.2.1)
REC79_Tr_GrO_	AutoReclosing Start	Signal to start the automatic reclosing function. (See Chapter 1.2.1)
REC79_3PhTr_GrO_	3Ph Trip	Signal of three-phase trip (See Chapter 1.2.6)
REC79_1cyc3PhFlt_GrO_	3PhFault for Spec.DT1	Signal for special 1 st dead time (See Chapter 1.2.4)
REC79_CBOpen_GrO_	CB OPEN single-pole	Circuit breaker is opened at least in one phase (See Chapter 1.2.1)
REC79_SynRel_GrO_	SYNC Release	Release signal from synchro-check function (See Chapter 1.2.8)
REC79_ManCl_GrO_	Manual Close	Signal of manual close command (See Chapter 1.2.12)
REC79_CBRdy_GrO_	CB Ready	Circuit breaker is ready for operation (See Chapter 1.2.7)
REC79_DtDel_GrO_	Dead Time Start Delay	Signal for delaying the start of the dead time counter (See Chapter 1.2.2)
REC79_RDT_GrO_	Reduced DeadTime	Signal for reducing the dead time (See Chapter 1.2.5)

Table 1-6 The binary input signal of the HV automatic reclosing function

3.1.19.3.5. The symbol of the function block

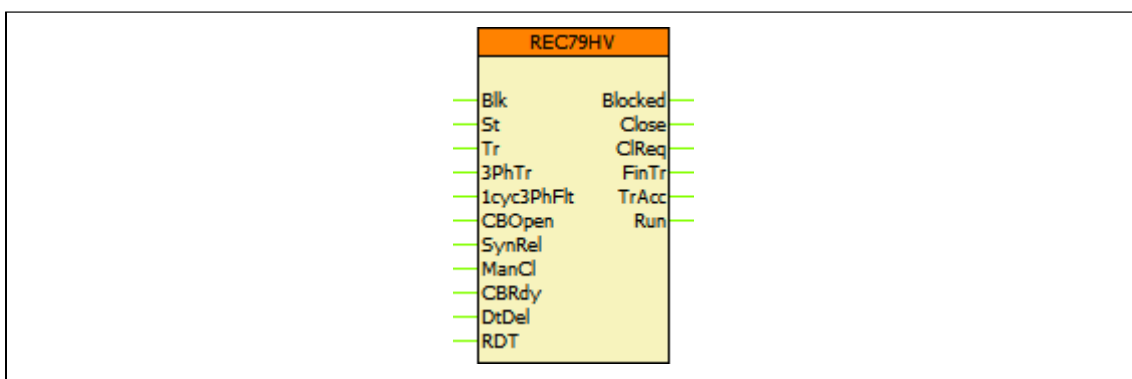


Figure 1-1 The function block of the HV automatic reclosing function

The names of the input and output signals are parts of the “Binary status signal” names listed in Table 1-5 and Table 1-6.

3.1.19.4. Examples

3.1.19.4.1. Logic connections of the REC79HV function block

Basic example for the application of the REC79HV function block in a logic diagram is shown in Figure 3-1. This connection is used for the examples below.

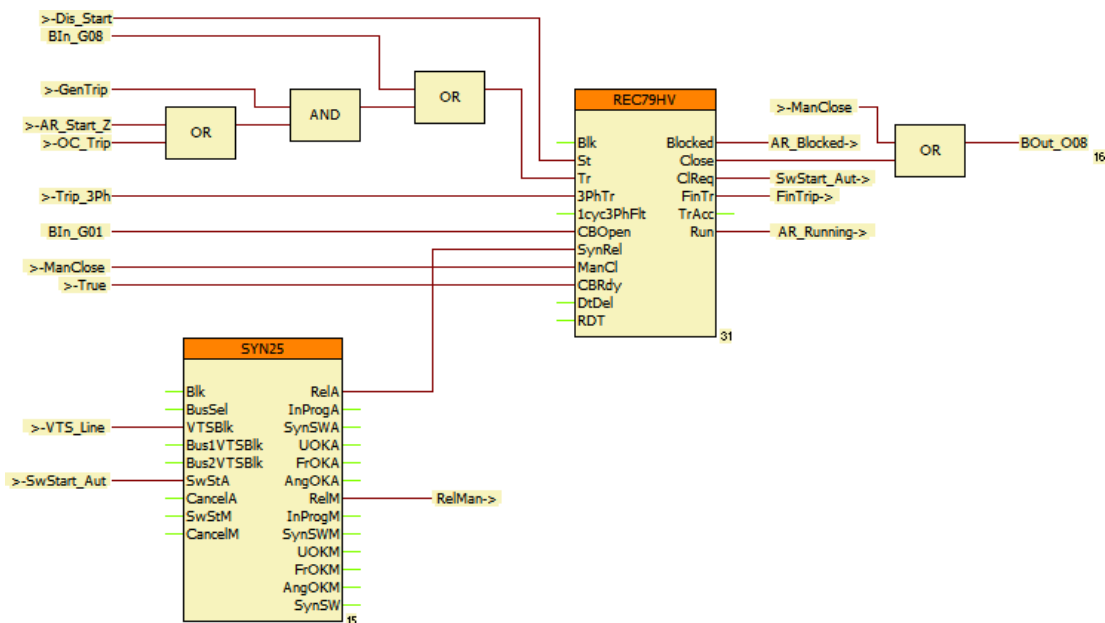


Figure 3-1 Example: The connections of the function block of the AR function

The “**Blk**” input is not connected. The function cannot be disabled externally.

The “**St**” input is connected the general start signal from the distance protection. This means that if the distance protection starts in any zone, the automatic reclosing function will wait for the trip signal to come on the “**Tr**” input (see Chapter 1.2.6).

The “**Tr**” input is connected to a binary input (e.g. external AR start signal) and to the trip signals of the distance and overcurrent protections. The AND connection of the “**GenTrip**” command prevents the starting if the “**Trip Logic**” function block (not shown here) disables the operation of the trip contacts.

The “**3PhTr**” input is connected to the three-phase trip command indicator of the “**Trip Logic**” function block.

The “**1cyc3PhFlt**” input is not connected. No special dead time is used in this configuration. The

“**CBOpen**” input is connected to the open state signal from the circuit breaker.

The “**SynRel**” input is connected to the release output of the synchro-check/synchro-switch function. This input disables the reclosing in case of asynchronous state of the voltage vectors.

The “**ManCl**” input is connected to a signal that indicates the manual close command.

The “**CBRdy**” input is connected to fix TRUE signal. The ready state of the circuit breaker is out of consideration.

The “**DtDel**” input is not connected. The dead time is not intended to be delayed externally. The

“**RDT**” input is not connected. The dead time is not intended to be reduced externally.

3.1.19.4.2. Example1: Time diagram with two reclosing shots (first unsuccessful, second successful)

The following timing diagram shows two reclosing cycles. The first cycle is unsuccessful, the second one is successful. The relevant parameter set of the HV autoreclosing operation are listed in the Table 3-1 below. The effect of this parameter set is shown in the first time diagram of Figure 3-2.

HV AutoReclosing	
Operation	On
Reclosing Cycles	1.2. Enabled
Reclosing Started by	CB open
CB State Monitoring	0

Table 3-1 Example 1, parameter setting

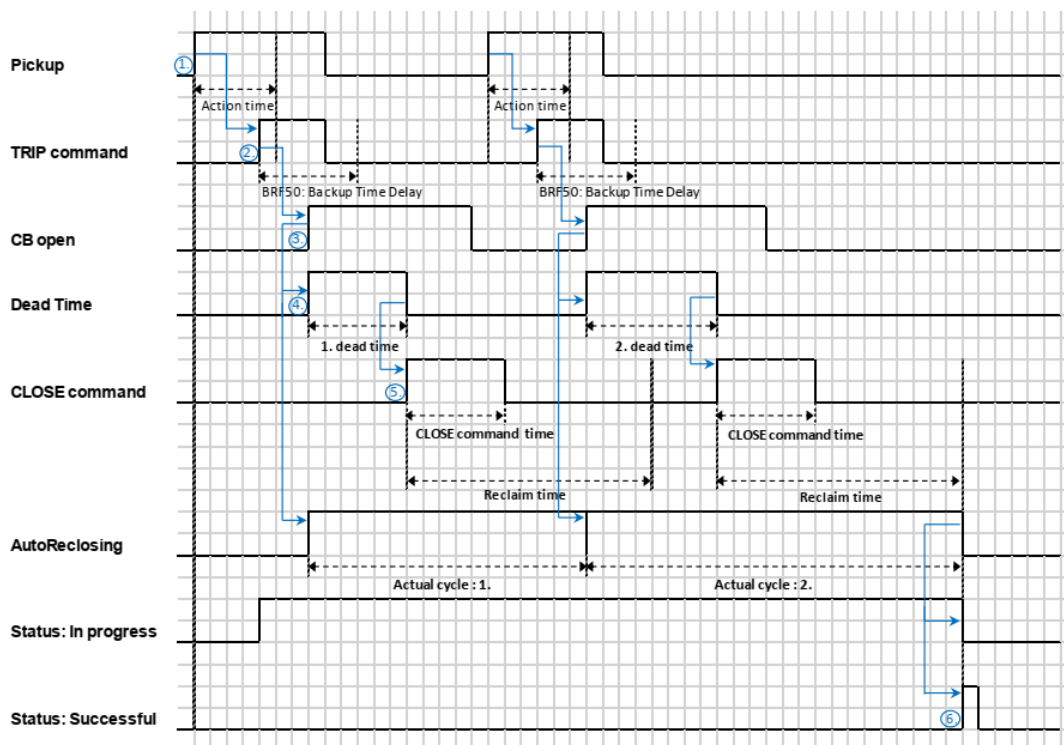
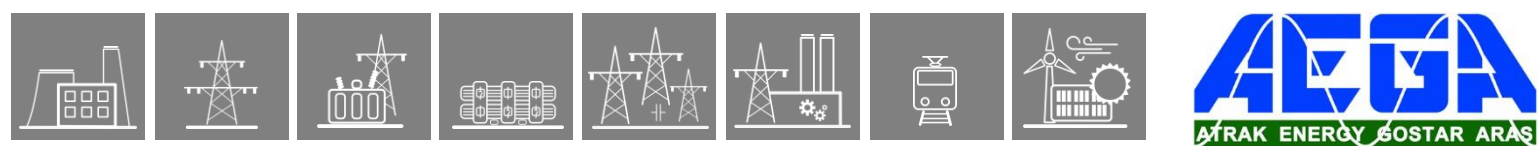


Figure 3-2 Example 1 time diagram

After a pickup of the protection function (No. 1), a timer starts to measure the “Action time” (the duration of which depends on parameter setting REC79_Act_TPar_ (Action time)). The trip command must be generated (No. 2) within this time to start reclosing cycles, or else the HV automatic function enters dynamic blocked state.

The automatic reclosing function is triggered if a protection function generates a trip command to the circuit breaker and the protection function resets because the fault current drops to zero and/or the auxiliary contact of the circuit breaker signals open state. Depending on the preset parameter value REC79_St_EPar_ (Reclosing started by), the HV automatic reclosing function can be started either by resetting of the TRIP command (setting: Trip reset) or by the binary signal indicating the open state of the circuit breaker (No. 3) (setting: CB open) – in the above example, the “Reclosing started by” parameter is set: “CB Open”.



According to the preset parameter values, either of these two conditions starts the timer for counting the „Dead time” (No. 4). For all four reclosing cycles, separate dead times can be defined for line-to-line faults and for earth faults.

At the end of the dead time the HV automatic reclosing function generates a close command automatically (No. 5). The **“Close command”** impulse is generated as one of the output status signals of the HV automatic reclosing function REC79_**Close_GrI_** (Close command). This signal is common to all three phases. The impulse duration is defined by the user setting the timer parameter REC79_**Close_TPar_** (Close command time).

When the close command is generated, a timer is started to measure the **“Reclaim time”**. The duration is defined by the parameter value REC79_**Rec_TPar_** (Reclaim time), but it is prolonged up to the reset of the close command (if the close command duration is longer than the reclaim time set).

If the fault is detected again during this time, then the sequence of the HV automatic reclosing cycles continues, the above example showing this case. If no fault is detected, then at the expiry of the reclaim time the reclosing is evaluated as successful and the function resets. If a fault is detected after the expiry of this timer, then the cycles restart with the first reclosing cycle. (If the user programmed the status variable REC79_**St_GrO_** (Protection Start) and it gets TRUE during the Reclaim time, then the HV automatic reclosing function continues even if the trip command is received after the expiry of the Reclaim time.)

After the second reclosing cycle no pickup is detected within the reclaim time, the HV auto reclosing function enters “Successful” state (No. 6). The HV automatic reclosing cycle resets and a new fault will start the procedure with the first cycle again.

3.1.19.4.3. Example2: Timing diagram with two reclosing shots (both unsuccessful)

The following timing diagram shows two unsuccessful reclosing cycles. The relevant parameter set of the HV autoreclosing is same like the previous case.

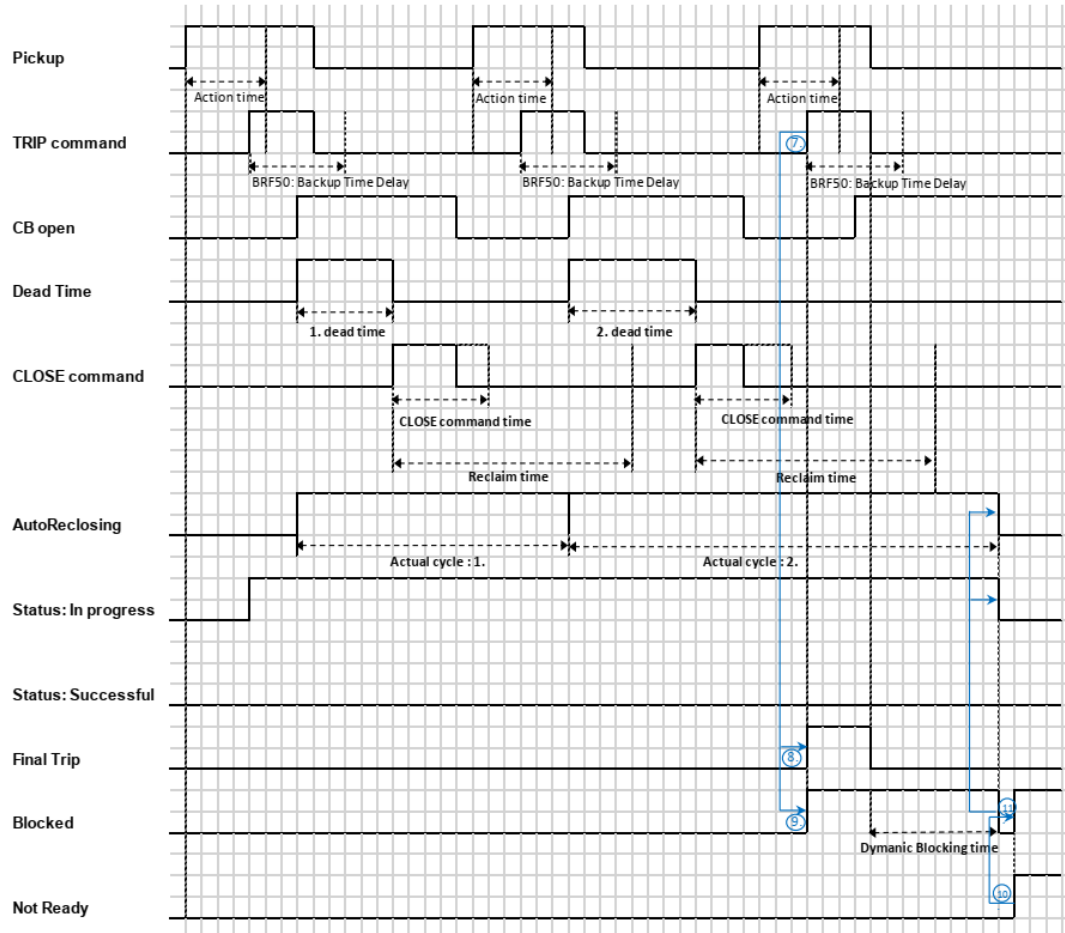


Figure 3-3 Example 2 time diagram

These events are similar to those of the previous case, but there are differences after the second reclosing attempt. The differences are written in the next Chapter.

The fault still exists at the end of the last cycle, therefore the protection function trips again (No. 7), and the HV automatic reclosing function trips and generates the signal for final trip: REC79_FinTr_GrL_ (Final Trip) (No. 8). After final trip, the HV automatic reclosing function enters “Dynamic blocked” state (No. 9). (A final trip command is also generated if a fault is detected again during the dead time.)

After the dynamic blocking, the HV automatic reclosing function gets “Not Ready” condition (No. 10), because the starting signal for automatic reclosing is selected by parameter REC79_St_EPar_ (Reclosing started by) to be “CB open” and the circuit breaker is in Open state and the “In progress” state of the function is not TRUE.

In a “Not ready” state, the REC79_Blocked_GrL_ (Blocked) status signal is TRUE, so the HV automatic reclosing function is blocked (No. 11).

3.1.19.4.4. Example3 Timing diagram with two reclosing shots (both unsuccessful)

The following timing diagram shows two unsuccessful reclosing cycles. The parameter setting of Table 3-2 are applied for the following timing diagram.

HV AutoReclosing	
Operation	On
Reclosing Cycles	1.2. Enabled
Reclosing Started by	Trip reset
CB State Monitoring	1
	⋮

Table 3-2 Example 3, parameter setting

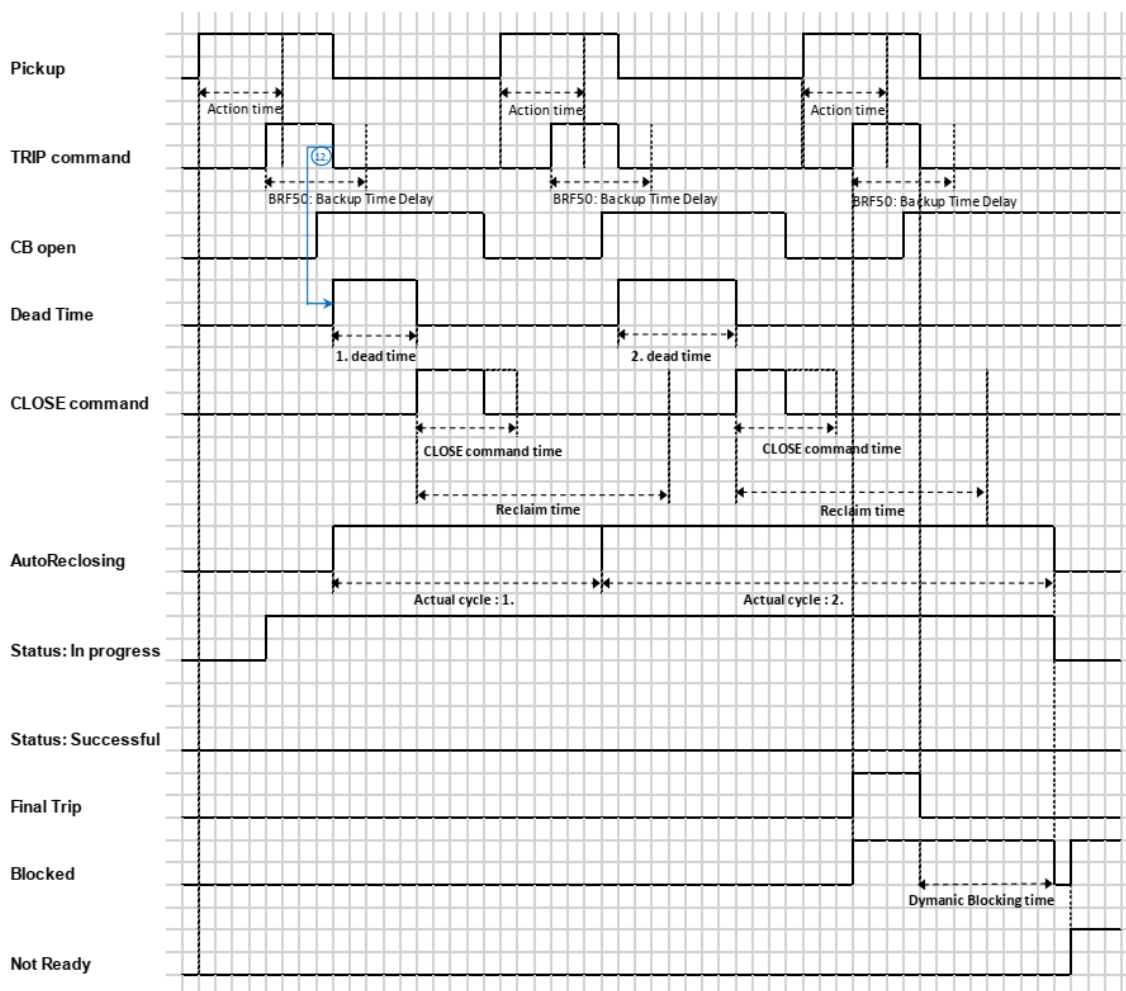


Figure 3-4 Example 3 time diagram

The timing diagram is similar to that of the previous case (Example2), the difference is caused by the starting of the HV automatic reclosing function. Here it is started by resetting of the TRIP command (setting: Trip reset) (No. 12).

3.1.19.4.5. Example4 Timing diagram with two reclosing shots (both unsuccessful)

The following timing diagram shows two unsuccessful reclosing cycles. The actual parameter set can be seen in the table below.

HV AutoReclosing	
Operation	On
Reclosing Cycles	1.2. Enabled
Reclosing Started by	Trip reset
CB State Monitoring	0
	⋮

Table 3-3 Example 4, parameter setting

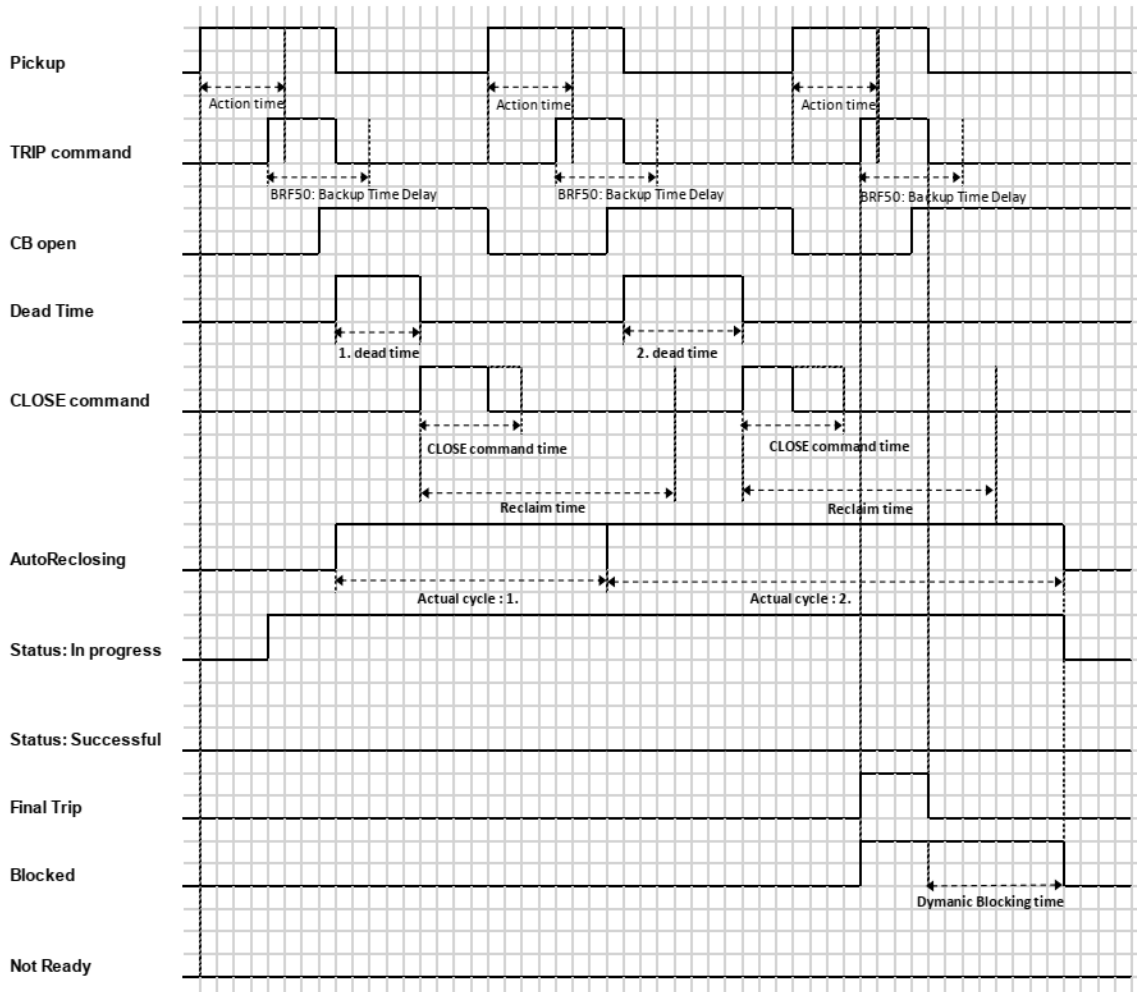
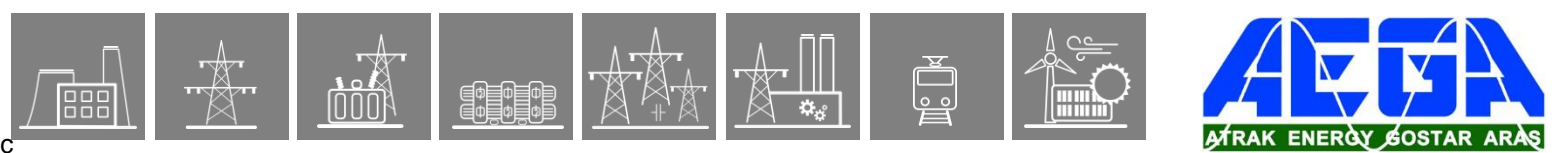


Figure 3-5 Example 4 time diagram

One difference can be seen if it is compared to the previous one.

After the "Dynamic Blocking" state the HV automatic reclosing function does not enter "Not Ready" state, because the "Not Ready" condition is not satisfied due to the parameter REC79_CBState_BPar_ (CB State Monitoring) is set to FALSE.



3.1.20. Over-frequency protection function

3.1.20.1. Application

The deviation of the frequency from the rated system frequency indicates unbalance between the generated power and the load demand. If the available generation is large compared to the consumption by the load connected to the power system, then the system frequency is above the rated value. The overfrequency protection function is usually applied to decrease generation to control the system frequency.

Another possible application is the detection of unintended island operation of distributed generation and some consumers. In the island, there is low probability that the power generated is the same as the consumption; accordingly, the detection of high frequency can be one of the indications of island operation.

3.1.20.1.1. Mode of operation

Depending on the hardware-software configuration, the frequency measurement is usually based on channel No. 1 (line voltage) and channel No. 4 (busbar voltage) of any voltage input module.

The accurate frequency measurement is performed by measuring the time period between two rising edges and also between two falling edges at zero crossing of a voltage signal. The frequency value is calculated by the average of these two values. At each zero crossing the average value (and the frequency) is recalculated.

For the acceptance of the measured frequency, at least four subsequent valid measurements are needed. Similarly, four invalid measurements are needed to reset the measured frequency from the last valid value to zero.

The minimum voltage condition can be set as a parameter for enabling the evaluation of the frequency. This parameter is called U limit.

The overfrequency protection function generates a start signal if at least five measured frequency values are above the preset level.

3.1.20.2. Overfrequency protection function overview

The graphic appearance of the function block of the overfrequency protection function is shown below. The block shows all binary input and output status signals which are applicable in the graphic equation editor.

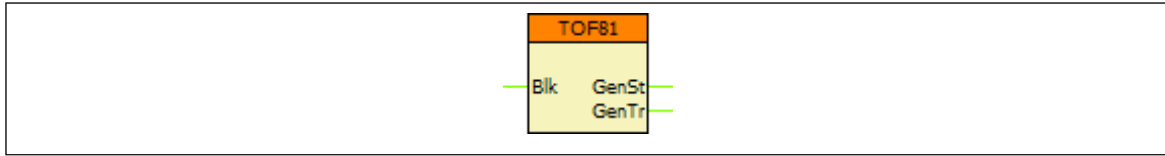


Figure 2-1 Graphic appearance of the function block of the overfrequency protection function

3.1.20.2.1. Settings

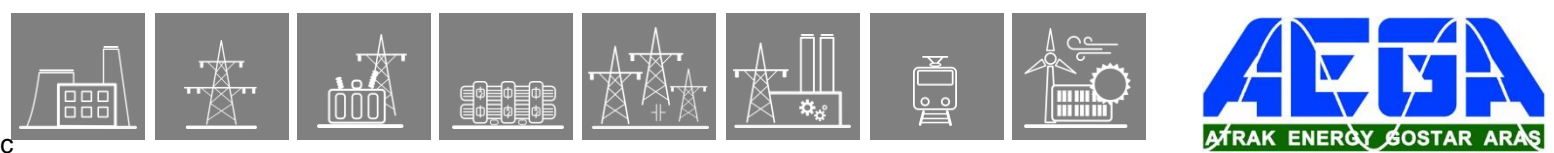
3.1.20.2.1.1. Parameters

The available parameters are listed below in order of their appearance in the *parameters* menu. If the setting range of a parameter should be extended, contact Protecta Support.

Table 2-1 Parameters of the overfrequency protection function

TITLE	DIM	RANGE	STEP	DEFAULT	EXPLANATION
Operation	-	Off, On	-	Off	Enabling the function
Start Signal Only	-	FALSE, TRUE	-	FALSE	Enabling start signal only
Start Frequency	Hz	40.00 – 70.00	0.01	51.00	Setting value of the comparison
U limit	-	0.1Un – 1Un	0.01	0.45	Minimum voltage condition for enabling the operation of the function
Time Delay	msec	140* – 10000	1	200	Time delay (including the algorithm time, see Chapter 2.4 for more explanation)

*The minimum operate time is lower than the settable minimum delay, however below this value the timing is less accurate, see Chapter 2.3 for details



3.1.20.2.2. Function I/O

This section describes briefly the analogue and digital inputs and outputs of the function block.

3.1.20.2.2.1. Analogue inputs

The function uses the sampled values of a voltage input or a calculated line-to-line voltage. This is defined in the configuration.

3.1.20.2.2.2. Analogue outputs (measurements)

The frequency measurement is displayed *MXU_F* – frequency measurement function which is an independent function.

3.1.20.2.2.3. Binary input signals (graphed output statuses)

The conditions of the binary inputs are defined by the user, applying the graphic equation editor (*Logic Editor*). Parts written in **bold** are seen on the left side function block in the *Logic editor*.

Table 2-2 The binary input signal of the overfrequency protection function

BINARY OUTPUT SIGNAL	EXPLANATION
TOF81_ Blk _GrO_	Blocking input of the function

3.1.20.2.2.4. Binary output signals (graphed input statuses)

These signals can be used in EuroCAP to assign to LED, user LCD object etc. Parts written in **bold** are seen on the right side of the function block in the *Logic Editor*.

Table 2-3 The binary output signals of the overfrequency protection function

BINARY OUTPUT SIGNAL	SIGNAL TITLE	EXPLANATION
TOF81_ GenSt _Grl_	General Start	General start signal of the function
TOF81_ GenTr _Grl_	General Trip	General trip command of the function

3.1.20.2.2.5. Online data

Visible values on the *online data* page.

Table 2-4 Online displayed data of the overfrequency protection function

SIGNAL TITLE	DIMENSION	EXPLANATION
General Start	-	General start signal of the function
General Trip	-	General trip command of the function

3.1.20.2.2.6. Events

The following events are generated in the event list, as well as sent to the SCADA according to the configuration.

Table 2-5 Generated events of the overfrequency protection function

EVENT	VALUE	EXPLANATION
General Start	off, on	General start of the function
General Trip	off, on	General trip command of the function

3.1.20.2.3. Technical data

The technical data, except for the min. operate voltage, are based on the function block testing according to the directives of the **IEC 60255-181:2019** standard.

Table 2-6 Technical data of the overfrequency protection function

FUNCTION	VALUE	ACCURACY
Operate range	40 - 60 Hz (50 Hz system) 50 - 70 Hz (60 Hz system)	± 3 mHz (20 mHz*)
Effective range	45 - 55 Hz (50 Hz) 55 - 65 Hz (60 Hz)	± 3 mHz (10 mHz*)
Min. operate time	93 ms (50 Hz) 73 ms (60 Hz)	± 32 ms ± 27 ms
Time delay	140 – 60000 ms <140 ms (50 Hz) <140 ms (60 Hz)	± 4 ms ± 32 ms ± 27 ms
Reset frequency	[Start freq.] – 101 mHz	± 1 mHz
Reset time	98 ms (50 Hz) 85 ms (60 Hz)	± 6 ms
Reset ratio for U limit	0.8	

**with the harmonic content according to the standard*

3.1.20.2.4. Notes for testing

Normally in the EuroProt+ devices the trip contacts are assigned to the Trip Logic function block, and not to the protection function blocks. Because of this, the testing personnel must make sure that the Trip Logic is switched on ('Operation' parameter is set to other than 'Off') before starting the tests, otherwise there will be no physical trip on the relay.

Note that the time delay parameter incorporates the algorithm time as well, so the time delay *does not mean the time difference between the appearance of the start and trip signals* of the function. In other words: it is not the delay between the detection of the fault and the trip that follows it. This should be taken into consideration when checking the disturbance records.

Instead the time delay parameter defines the elapsed time from the appearance of the faulty state to the trip. Because of this, while testing, the delay measurement should start *from the moment of the fault injection* until the trip signal.

The source voltage for frequency measurement is defined by the voltage input of the functionblock. This can be checked in the functionblock properties in EuroCAP

Before the fault injection at least 1 second pre-fault should be simulated with nominal frequency and voltage.

Based on IEC 60255-181 standard recommendations, the operation time shall be measured with a frequency of 0.5Hz higher than the setting value for Start frequency.



3.1.21. Underfrequency protection function

3.1.21.1. Application

The deviation of the frequency from the rated system frequency indicates unbalance between the generated power and the load demand. If the available generation is small compared to the consumption by the load connected to the power system, then the system frequency is below the rated value. The underfrequency protection function is usually applied to increase generation or for load shedding to control the system frequency.

Another possible application is the detection of unintended island operation of distributed generation and some consumers. In the island, there is low probability that the power generated is the same as the consumption; accordingly, the detection of low frequency can be one of the indications of island operation.

3.1.21.1.1. Mode of operation

Depending on the hardware-software configuration, the frequency measurement is usually based on channel No. 1 (line voltage) and channel No. 4 (busbar voltage) of any voltage input module.

The accurate frequency measurement is performed by measuring the time period between two rising edges and also between two falling edges at zero crossing of a voltage signal. The frequency value is calculated by the average of these two values. At each zero crossing the average value (and the frequency) is recalculated.

For the acceptance of the measured frequency, at least four subsequent valid measurements are needed. Similarly, four invalid measurements are needed to reset the measured frequency from the last valid value to zero.

The minimum voltage condition can be set as a parameter for enabling the evaluation of the frequency. This parameter is called U limit.

The underfrequency protection function generates a start signal if at least five measured frequency values are below the preset level.

3.1.21.2. Underfrequency protection function overview

The graphic appearance of the function block of the underfrequency protection function is shown below. The block shows all binary input and output status signals which are applicable in the graphic equation editor.

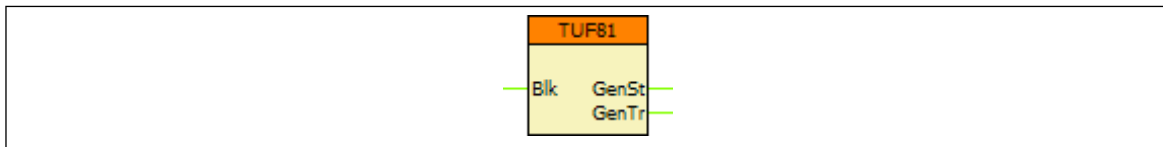


Figure 2-1 Graphic appearance of the function block of the underfrequency protection function

3.1.21.2.1. Settings

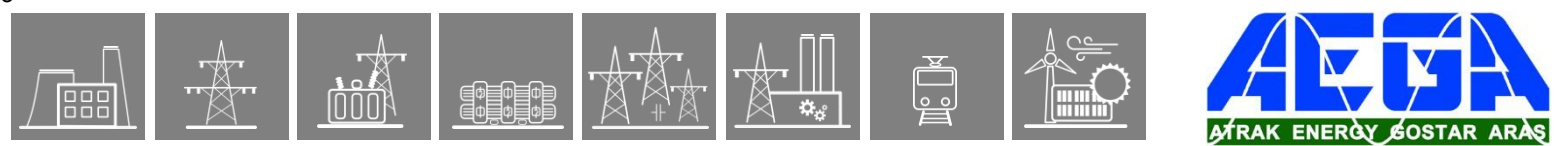
3.1.21.2.1.1. Parameters

The available parameters are listed below in order of their appearance in the *parameters* menu. If the setting range of a parameter should be extended, contact Protecta Support.

Table 2-1 Parameters of the underfrequency protection function

TITLE	DIM	RANGE	STEP	DEFAULT	EXPLANATION
Operation	-	Off, On	-	Off	Enabling the function
Start Signal Only	-	FALSE, TRUE	-	FALSE	Enabling start signal only
Start Frequency	Hz	40.00 – 70.00	0.01	49.00	Setting value of the comparison
U limit	-	0.1Un – 1Un	0.01	0.45	Minimum voltage condition for enabling the operation of the function
Time Delay	msec	140* – 10000	1	200	Time delay (including the algorithm time, see Chapter 2.4 for more explanation)

*The minimum operate time is lower than the settable minimum delay, however below this value the timing is less accurate, see Chapter [2.3](#) for details



3.1.21.2.2. Function I/O

This section describes briefly the analogue and digital inputs and outputs of the function block.

3.1.21.2.2.1. Analogue inputs

The function uses the sampled values of a voltage input or a calculated line-to-line voltage. This is defined in the configuration.

3.1.21.2.2.2. Analogue outputs (measurements)

The frequency measurement is displayed *MXU_F* – frequency measurement function which is an independent function.

3.1.21.2.2.3. Binary input signals (graphed output statuses)

The conditions of the binary inputs are defined by the user, applying the graphic equation editor (*Logic Editor*). Parts written in **bold** are seen on the left side function block in the *Logic editor*.

Table 2-2 The binary input signal of the underfrequency protection function

BINARY OUTPUT SIGNAL	EXPLANATION
TUF81_ Blk _GrO_	Blocking input of the function

3.1.21.2.2.4. Binary output signals (graphed input statuses)

These signals can be used in EuroCAP to assign to LED, user LCD object etc. Parts written in **bold** are seen on the right side of the function block in the *Logic Editor*.

Table 2-3 The binary output signals of the underfrequency protection function

BINARY OUTPUT SIGNAL	SIGNAL TITLE	EXPLANATION
TUF81_ GenSt _Grl_	General Start	General start signal of the function
TUF81_ GenTr _Grl_	General Trip	General trip command of the function

3.1.21.2.2.5. Online data

Visible values on the *online data* page.

Table 2-4 Online displayed data of the underfrequency protection function

SIGNAL TITLE	DIMENSION	EXPLANATION
General Start	-	General start signal of the function
General Trip	-	General trip command of the function

3.1.21.2.2.6. Events

The following events are generated in the event list, as well as sent to the SCADA according to the configuration.

Table 2-5 Generated events of the underfrequency protection function

EVENT	VALUE	EXPLANATION
General Start	off, on	General start of the function
General Trip	off, on	General trip command of the function

3.1.21.2.3. Technical data

The technical data, except for the min. operate voltage, are based on the function block testing according to the directives of the **IEC 60255-181:2019** standard.

Table 2-6 Technical data of the underfrequency protection function

FUNCTION	VALUE	ACCURACY
Operate range	40 - 60 Hz (50 Hz system) 50 - 70 Hz (60 Hz system)	± 3 mHz (20 mHz*)
Effective range	45 - 55 Hz (50 Hz) 55 - 65 Hz (60 Hz)	± 3 mHz (10 mHz*)
Min. operate time	93 ms (50 Hz) 73 ms (60 Hz)	± 32 ms ± 27 ms
Time delay	140 – 60000 ms <140 ms (50 Hz) <140 ms (60 Hz)	± 4 ms ± 32 ms ± 27 ms
Reset frequency	[Start freq.] + 101 mHz	± 1 mHz
Reset time	98 ms (50 Hz) 85 ms (60 Hz)	± 6 ms
Reset ratio for U limit	0.8	

**with the harmonic content according to the standard*

3.1.21.2.4. Notes for testing

Normally in the EuroProt+ devices the trip contacts are assigned to the Trip Logic function block, and not to the protection function blocks. Because of this, the testing personnel must make sure that the Trip Logic is switched on ('Operation' parameter is set to other than 'Off') before starting the tests, otherwise there will be no physical trip on the relay.

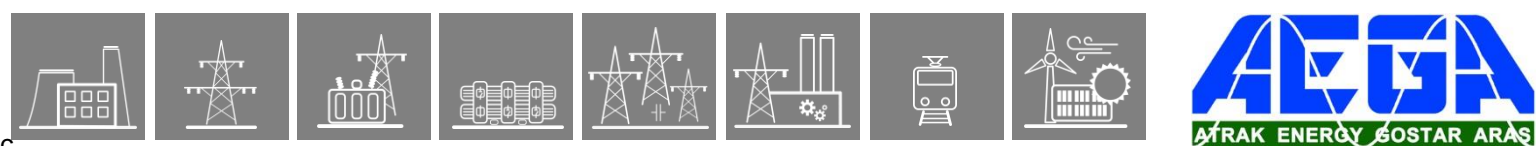
Note that the time delay parameter incorporates the algorithm time as well, so the time delay **does not mean the time difference between the appearance of the start and trip signals** of the function. In other words: it is not the delay between the detection of the fault and the trip that follows it. This should be taken into consideration when checking the disturbance records.

Instead the time delay parameter defines the elapsed time from the appearance of the faulty state to the trip. Because of this, while testing, the delay measurement should start *from the moment of the fault injection* until the trip signal.

The source voltage for frequency measurement is defined by the voltage input of the functionblock. This can be checked in the functionblock properties in EuroCAP.

Before the fault injection at least 1 second pre-fault should be simulated with nominal frequency and voltage.

Based on IEC 60255-181 standard recommendations, the operation time shall be measured with a frequency of 0.5Hz lower than the setting value for Start frequency.



3.1.22. Rate of change of frequency protection function

3.1.22.1. Application

The deviation of the frequency from the rated system frequency indicates unbalance between the generated power and the load demand. If the available generation is large compared to the consumption by the load connected to the power system, then the system frequency is above the rated value, and if it is small, the frequency is below the rated value. If the unbalance is large, then the frequency changes rapidly. The rate of change of frequency protection function is usually applied to reset the balance between generation and consumption to control the system frequency.

Another possible application is the detection of unintended island operation of distributed generation and some consumers. In the island, there is low probability that the power generated is the same as consumption; accordingly, the detection of a high rate of change of frequency can be one of the indications of island operation.

3.1.22.1.1. Mode of operation

Depending on the hardware-software configuration, the frequency measurement is usually based on channel No. 1 (line voltage) and channel No. 4 (busbar voltage) of any voltage input module.

The accurate frequency measurement is performed by measuring the time period between two rising edges and also between two falling edges at zero crossing of a voltage signal. The frequency value is calculated by the average of these two values. At each zero crossing the average value (and the frequency) is recalculated.

For the acceptance of the measured frequency, at least four subsequent valid measurements are needed. Similarly, four invalid measurements are needed to reset the measured frequency from the last valid value to zero.

Other basic criterion is that the evaluated voltage should be above 10% of the rated voltage value.

The rate of change of frequency protection function generates a start signal if the df/dt value is above the setting value. The rate of change of frequency is calculated as the difference of the frequency at the present sampling and at 5 periods earlier; the df/dt comparator has a built-in delay of 100 ms to filter out unwanted operations.

3.1.22.2. Rate of change of frequency protection function overview

The graphic appearance of the function block of the rate of change of frequency protection function is shown below. The block shows all binary input and output status signals which are applicable in the graphic equation editor.

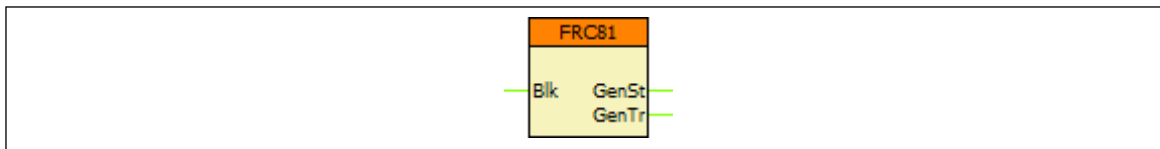


Figure 2-1 Graphic appearance of the function block of the rate of change of frequency protection function

3.1.22.2.1. Settings

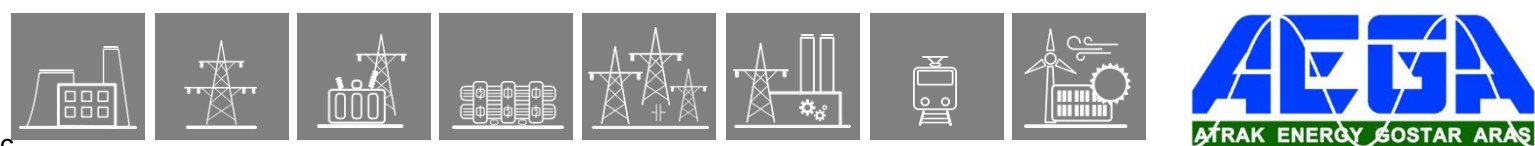
3.1.22.2.1.1. Parameters

The available parameters are listed below in order of their appearance in the *parameters* menu. If the setting range of a parameter should be extended, contact Protecta Support.

Table 2-1 Parameters of the rate of change of frequency protection function

TITLE	DIM	RANGE	STEP	DEFAULT	EXPLANATION
Operation	-	Off, On	-	Off	Enabling the function
Start Signal Only	-	FALSE, TRUE	-	FALSE	Enabling start signal only
Start df/dt	Hz/sec	-5.00 – 5.00	0.01	0.50	Setting value of the comparison
Time Delay	msec	200* – 10000	1	200	Time delay (including the algorithm time, see Chapter 2.4 for more explanation)

**the minimum operate time is lower than the settable minimum delay, however below this value the timing is less accurate, see Chapter 2.3 for details*



3.1.22.2.2. Function I/O

This section describes briefly the analogue and digital inputs and outputs of the function block.

3.1.22.2.2.1. Analogue inputs

The function uses the sampled values of a voltage input or a calculated line-to-line voltage. This is defined in the configuration.

3.1.22.2.2.2. Binary input signals (graphed output statuses)

The conditions of the binary inputs are defined by the user, applying the graphic equation editor (*Logic Editor*). Parts written in **bold** are seen on the left side function block in the *Logic editor*.

Table 2-2 The binary input signal of the rate of change of frequency protection function

BINARY OUTPUT SIGNAL	EXPLANATION
FRC81_ Blk _GrO_	Blocking input of the function

3.1.22.2.2.3. Binary output signals (graphed input statuses)

These signals can be used in EuroCAP to assign to LED, user LCD object etc. Parts written in **bold** are seen on the right side of the function block in the *Logic Editor*.

Table 2-3 The binary output signals of the rate of change of frequency protection function

BINARY OUTPUT SIGNAL	SIGNAL TITLE	EXPLANATION
FRC81_ GenSt _Grl_	General Start	General start signal of the function
FRC81_ GenTr _Grl_	General Trip	General trip command of the function

3.1.22.2.2.4. Online data

Visible values on the *online data* page.

Table 2-4 Online displayed data of the rate of change of frequency protection function

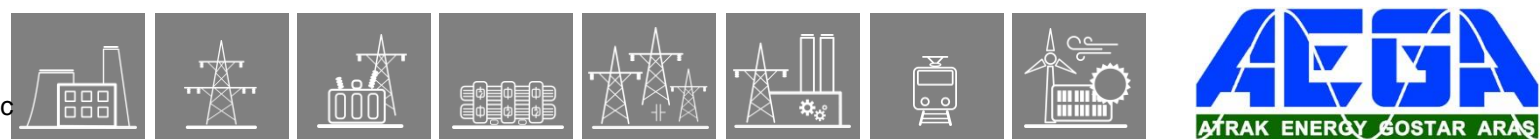
SIGNAL TITLE	DIMENSION	EXPLANATION
General Start	-	General start signal of the function
General Trip	-	General trip command of the function

3.1.22.2.2.5. Events

The following events are generated in the event list, as well as sent to the SCADA according to the configuration.

Table 2-5 Generated events of the rate of change of frequency protection function

EVENT	VALUE	EXPLANATION
General Start	off, on	General start of the function
General Trip	off, on	General trip command of the function



3.1.22.2.3. Technical data

The technical data, except for the min. operate voltage, are based on the function block testing according to the directives of the **IEC 60255-181:2019** standard.

Table 2-6 Technical data of the rate of change of frequency protection function

FUNCTION	VALUE	ACCURACY
Min. operate voltage	0.1 Un	
Operate range	± 10 Hz/s	± 50 mHz/s (60 mHz/s*)
Effective range	± 5 Hz/s	± 15 mHz/s (50 mHz/s*)
Min. operate time	191 ms (50 Hz) 159 ms (60 Hz)	± 40 ms ± 39 ms
Time delay (at 0.2 Hz/s)	200 – 60000 ms (50 Hz)	± 2 ms
Reset ratio (drop/pick in absolute values)	0.92 (>0.5 Hz/s) 0.999 (<0.5 Hz/s)	-0.03 -0.072
Reset time	187 ms (50 Hz) 157 ms (60 Hz)	± 44 ms ± 38 ms

**with the harmonic content according to the standard*

3.1.22.2.4. Notes for testing

Normally in the EuroProt+ devices the trip contacts are assigned to the Trip Logic function block, and not to the protection function blocks. Because of this, the testing personnel must make sure that the Trip Logic is switched on ('Operation' parameter is set to other than 'Off') before starting the tests, otherwise there will be no physical trip on the relay.

Note that the time delay parameter incorporates the algorithm time as well, so the time delay does **not** mean the time difference between the appearance of the start and trip signals of the function. In other words: it is not the delay between the detection of the fault and the trip that follows it. This should be taken into consideration when checking the disturbance records.

Instead the time delay parameter defines the elapsed time from the appearance of the faulty state to the trip. Because of this, while testing, the delay measurement should start *from the moment of the fault injection* until the trip signal.

3.2. Control & supervision functions

3.2.1. Phase-Selective Trip Logic

3.2.1.1. Operation principle

The phase-selective trip logic function operates according to the functionality required by the IEC 61850 standard for the "Trip logic logical node".

3.2.1.1.1. Application

The phase-selective function is applied when one-phase trip commands might be required, mostly in distance protection applications.

The function receives the trip requirements of the protective functions implemented in the device and combines the binary signals and parameters to the outputs of the device.

The trip requirements are programmed by the user, using the graphic equation editor. The decision logic has the following aims:

- Define a minimal impulse duration even if the protection functions detect a very short time fault,
- In case of phase-to-phase faults, involve the third phase in the trip command,
- Fulfill the requirements of the automatic reclosing function to generate a three-phase trip command even in case of single-phase faults,
- In case of an evolving fault, during the evolving fault waiting time include all three phases into the trip command

3.2.1.1.2. The decision logic

The decision logic module combines the status signals and the enumerated parameter to generate the general trip command on the output module of the device.

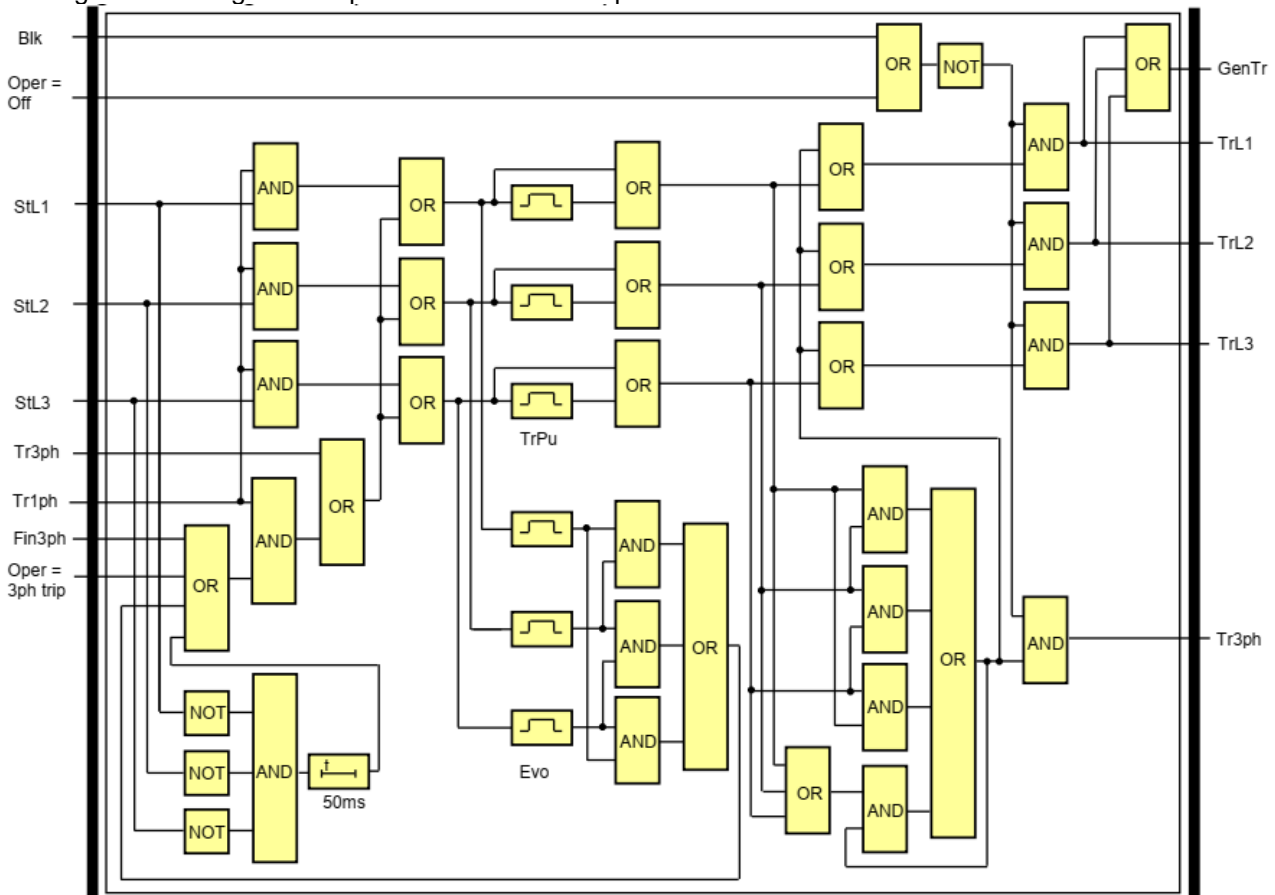


Figure 1-1 Logic scheme of the decision logic

3.2.1.2. PhSel. Trip logic function overview

The graphic appearance of the function block of the phase-selective trip logic function is shown in the figure below.

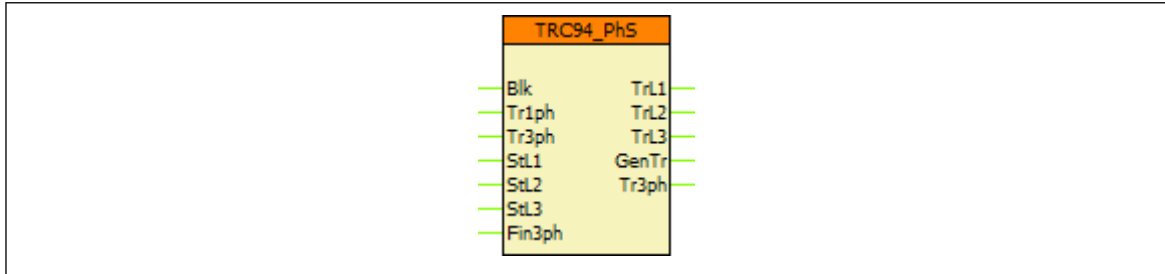


Figure 2-1 Graphic appearance of the function block of the phase-selective trip logic function

3.2.1.2.1. Settings

3.2.1.2.1.1. Parameters

TITLE	DIM	RANGE	STEP	DEFAULT	EXPLANATION
Operation	-	Off, 3ph trip, 1ph/3ph trip	-	Off	Selection of the operating mode
Min Pulse Duration	ms	50 – 60000	1	150	Minimum duration of the generated pulse
Evolving Fault Time	ms	50 – 60000	1	1000	Waiting time for evolving fault

Table 2-1 Parameters of the phase-selective trip logic function

3.2.1.2.2. Function I/O

This section describes briefly the analogue and digital inputs and outputs of the function block.

3.2.1.2.2.1. Analogue inputs

This function does not have analogue inputs.

3.2.1.2.2.2. Analogue outputs (measurements)

This function does not have measurements.

3.2.1.2.2.3. Binary input signals (graphed output statuses)

The conditions of the inputs are defined by the user, applying the graphic equation editor (logic editor). The part written in **bold** is seen on the function block in the logic editor.

BINARY INPUT SIGNAL	EXPLANATION
TRC94 Blk _GrO_	Blocking the outputs of the function
TRC94 Tr1ph _GrO_	Request for single-phase trip command
TRC94 Tr3ph _GrO_	Request for three-phase trip command
TRC94 StL1 _GrO_	Request for trip command in phase L1
TRC94 StL2 _GrO_	Request for trip command in phase L2
TRC94 StL3 _GrO_	Request for trip command in phase L3
TRC94 Fin3ph _GrO_	Forcing three-phase trip even in case of single-phase fault

Table 2-2 The binary input signals of the phase-selective trip logic function



3.2.1.2.2.4. Binary output signals (graphed input statuses)

The binary output status signals of the differential protection function. Parts written in **bold** are seen on the function block in the logic editor.

BINARY OUTPUT SIGNAL	SIGNAL TITLE	EXPLANATION
TRC94_TrL1_Grl_	Trip L1	Generated trip command for phase L1
TRC94_TrL2_Grl_	Trip L2	Generated trip command for phase L2
TRC94_TrL3_Grl_	Trip L3	Generated trip command for phase L3
TRC94_GenTr_Grl_	General Trip	Generated general trip command (active for 1ph and 3ph trips as well)
TRC94_Tr3ph_Grl_	3Ph Trip	Generated three-phase trip command

Table 2-3 The binary output signal of the phase-selective trip logic function

3.2.1.2.2.5. On-line data

Visible values on the on-line data page:

SIGNAL TITLE	DIMENSION	EXPLANATION
General Trip	-	Status of the General Trip binary output
Trip L1	-	Status of the Trip L1 binary output
Trip L2	-	Status of the Trip L2 binary output
Trip L3	-	Status of the Trip L3 binary output
3Ph Trip	-	Status of the 3Ph Trip binary output

Table 2-4 On-line data of the phase-selective trip logic function

3.2.1.2.2.6. Events

The following events are generated in the event list, as well as sent to SCADA according to the configuration.

EVENT	VALUE	EXPLANATION
Trip L1	off, on	Status of the Trip L1 binary output
Trip L2	off, on	Status of the Trip L2 binary output
Trip L3	off, on	Status of the Trip L3 binary output
General Trip	off, on	Status of the General Trip binary output

Table 2-5 Event of the phase-selective trip logic function

3.2.1.2.3. Technical data

FUNCTION	VALUE	ACCURACY
Pulse time		< 3 ms

Table 2-6 The technical data of the phase-selective trip logic function

3.2.1.2.3.1. Notes for testing

When using an EuroProt+ device with phase-selective trip logic, the first 3 trip contacts of the trip module are assigned to the corresponding Trip L1-L2-L3 outputs of the Trip Logic function block. These assignments can be checked in the configuration file of the device by using the EuroCAP tool (see the picture below, note that the actual configuration might be different from that of on the figure). It is possible to assign multiple contacts to one trip logic output (mainly when two trip circuits are used).

▼ E1-Line_F

- ▼ Hardware Configuration
 - Connector allocation
 - LED assignment
 - ▼ IO Signals
 - > Analogue Inputs
 - > Analogue Outputs
 - > Binary Inputs
 - > Binary Outputs
 - ▼ Trip definition
 - Assignment
 - Communication
 - > Software Configuration
 - Subscribed GOOSE assignment
 - > System

Trip definition / Assignment

Add

Insert

Remove

Modify

Move Up

Move Dn

▲ Ix	▲ Name	▲ Title	▲ Defined by	▲ Show order	Parameters	Type
0	TripAssign1	Trip L 1	RootFunctionBlock		TRC94_TripL1_TLO_TripContact_O02	4444 Trip assign
1	TripAssign2	Trip L 2	RootFunctionBlock		TRC94_TripL2_TLO_TripContact_O04	4444 Trip assign
2	TripAssign3	Trip L 3	RootFunctionBlock		TRC94_TripL3_TLO_TripContact_O06	4444 Trip assign

Figure 2-2 Trip assignment in EuroCAP

During commissioning the testing personnel must make sure that, along with the protection functions under test, the corresponding Trip Logic(s) is (are) switched on ('Operation' parameter is set to other than 'Off') before starting the testing, otherwise there will be no actual trip signal given on the assigned trip contacts.

3.2.2. Circuit breaker wear monitoring function

If a circuit breaker interrupts a current, the electric arc between the contacts results some metal loss. If the metal loss due to the burning of the electric arc becomes substantial, the contacts must be replaced.

Manufacturers define the permitted number of short circuits by formulas such as:

$$\sum_{i=1}^n I_i^k = CycNum$$

where

- n = number of short circuits
- k = exponent, calculated by the algorithm, based on the parameters I = short-circuit current, kA (RMS)
- CycNum = total value of weighted breaking currents.

Similar information is conveyed by the diagram below. This shows the number of permitted interruptions (logarithmic scaling) versus short-circuit current (logarithmic scaling) that the contacts in a circuit breaker can manage before the metal loss due to burning becomes so significant that the contacts must be replaced.

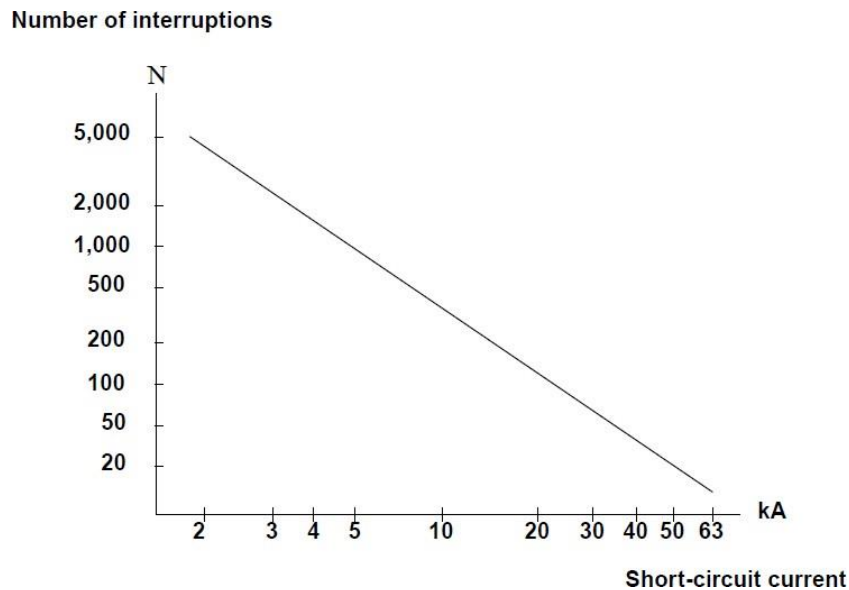


Figure 1-1 Example: Number of permitted interruptions as the function of the interrupted current

The straight line of the curve is defined by two points:

- The number of permitted interruptions of 1 kA current (CycNum - 1kA)
- The number of permitted interruptions of the rated breaking current of the circuit breaker (CycNum – I Rated Trip).

The circuit breaker wear monitoring function finds the maximum value of the phase currents of each interruption and calculates the wear caused by the operation performed. If the sum of the calculated wear reaches the limit, a warning signal is generated. This indicates the time of the required preventive maintenance of the circuit breaker.

3.2.2.1. Operation of the circuit breaker wear monitoring algorithm

The operating principle of the circuit breaker wear monitoring function is based on curves similar to the one shown in [Figure 1-1](#). With this figure, the manufacturer of the circuit breaker defines the permitted total number of current interruptions up to the subsequent preventive maintenance.

The straight line of the curve is defined by two points:

- The number of interruptions of 1 kA current, by parameter `CBWear_CycNumIn_IPar_` (`CycNum - 1kA`)
- The number of interruptions of the rated breaking current of the circuit breaker by parameter `CBWear_CycNumInTrip_IPar_` (`CycNum - I Rated Trip`). The rated breaking current of the circuit breaker is set by parameter `CBWear_InTrCB_FPar_` (`Rated Trip Current`)

The circuit breaker wear monitoring function processes the Fourier basic harmonic component of the three phase currents.

The circuit breaker wear monitoring function identifies the highest value of the phase currents at each interruption.

The procedure of monitoring starts at the receipt of a trip command on the dedicated input (`Trip`). For the start of this procedure, the circuit breaker also needs to be in closed state. This signal is received on the dedicated binary input (`CB Closed`).

The procedure of identifying the maximum phase current value terminates when the current falls below the minimum current defined by the parameter `CBWear_Imin_FPar_` (`Min Current`) AND the circuit breaker gets in open position. This signal is received on the dedicated binary input (`CB Open`).

The procedure also stops if the time elapsed since its start exceeds 1 s. In this case no CB wear is calculated.

Based on the characteristic defined above, the function calculates the wear caused by the operation performed. If the sum of the calculated wear reaches the limit defined by the parameter `CBWear_CycNumAlm_IPar_` (`CycNum - Alarm`), a warning signal is generated (`Alarm`). This indicates the advised time of the preventive maintenance of the circuit breaker.

The accumulated “wear” of the circuit breaker is stored on non-volatile memory; therefore, the value is not lost even if the power supply of the devices is switched off.

This information is displayed among the on-line data as “Actual wear”. This counter indicates how many 1 kA equivalent switches were performed since the last maintenance (reset).

When preventive maintenance is performed, the accumulated “wear” of the circuit breaker must be reset to 0 to start a new maintenance cycle. The circuit breaker wear monitoring function offers two ways of resetting:

- Binary True signal programmed to the “Reset” input of the function
- Performing a direct command via the Commands menu of the supervising WEB browser (for details, see the “Europrot+ manual”, “Remote user interface description” document). The Command window looks like [Figure 1-2](#).



Figure 1-2 The command window to reset the CB wear counter

The **inputs** of the circuit breaker wear monitoring function are

- the Fourier components of three phase currents,
- binary inputs,
- parameters.

The **output** of the circuit breaker wear monitoring function is

- the Alarm binary output status signal.

3.2.2.2. Technical summary

3.2.2.2.1. Technical data

Function	Range	Accuracy
Current accuracy	20 – 2000% of I_n	$\pm 1\%$ of I_n
Accuracy in tracking the theoretical wear characteristics		5%

Table 1-1 Technical data of the circuit breaker wear monitoring

3.2.2.2.2. Summary of the parameters

The parameters of the circuit breaker wear monitoring function are explained in the following tables.

Enumerated parameter

Parameter name	Title	Selection range	Default
Disabling or enabling the operation of the function			
CBWear_Oper_EPar_	Operation	Off,On	Off

Table 1-2 The enumerated parameter of the circuit breaker wear monitoring function

Integer parameters

Parameter name	Title	Unit	Min	Max	Step	Default
Permitted number of trip operation if the breaking current is 1kA						
CBWear_CycNumIn_IPar_	CycNum - 1kA		1	100000	1	50000
Permitted number of trip operation if the breaking current is InTrip (See floating parameter "Rated Trip Current")						
CBWear_CycNumInTrip_IPar_	CycNum – I Rated Trip		1	100000	1	100
Permitted level of the weighted sum of the breaking currents						
CBWear_CycNumAlm_IPar_	CycNum - Alarm		1	100000	1	50000

Table 1-3 The integer parameters of the circuit breaker wear monitoring function

Floating point parameters

Parameter name	Title	Unit	Min	Max	Step	Default
Rated breaking current of the circuit breaker						
CBWear_InTrCB_FPar_	Rated Trip Current	kA	10	100	0.01	10
Minimum level of the current below which the procedure to find the highest breaking current is stopped						
CBWear_Imin_FPar_	Min Current	kA	0.10	0.50	0.01	0.10

Table 1-4 The floating-point parameters of the circuit breaker wear monitoring function

3.2.2.2.3. Binary output status signals

The **binary output status signals** of the circuit breaker wear monitoring function.

Binary output signals	Signal title	Explanation
Alarm signal of the function block		
CBWear_Alarm_GrI_	Alarm	Alarm signal is generated if the weighted sum of the breaking currents is above the permitted level

Table 1-5 The binary output status signal of the circuit breaker wear monitoring function

3.2.2.2.4. The binary input status signals

The **binary inputs** are signals influencing the operation of the circuit breaker wear monitoring function. These signals are the results of logic equations graphically edited by the user.

Binary input signals	Signal title	Explanation
Disabling the function		
CBWear_BlK_GrO_	Blk	The programmed True state of this input disables the operation of the function
Open state of the circuit breaker		
CBWear_Open_GrO_	Open	The open state of the circuit breaker is needed to stop the procedure to find the maximum breaking current
Closed state of the circuit breaker		
CBWear_Closed_GrO_	Closed	The closed state of the circuit breaker is needed to perform the procedure to find the maximum breaking current
Trip command to the circuit breaker		

CBWear_Trip_GrO_	Trip	This signal starts the procedure to find the highest breaking current
Reset command		
CBWear_Reset_GrO_	Reset	If this input is programmed to logic True, at maintenance the weighted sum of the breaking currents can be set to 0

Table 1-6 The binary input signals of the circuit breaker wear monitoring function

3.2.2.2.5. The function block

The function block of the circuit breaker wear monitoring function is shown in [Figure 1-3](#). This block shows all binary input and output status signals that are applicable in the graphic equation editor.

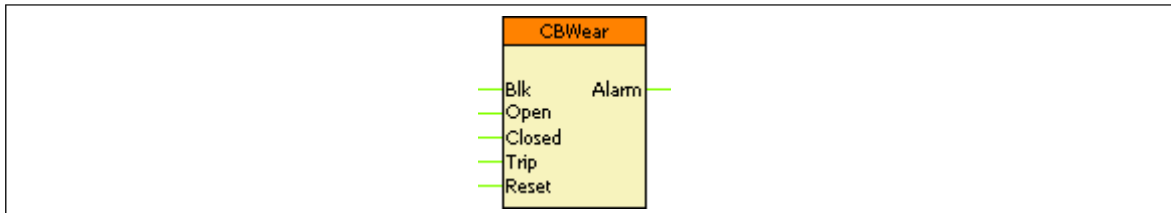
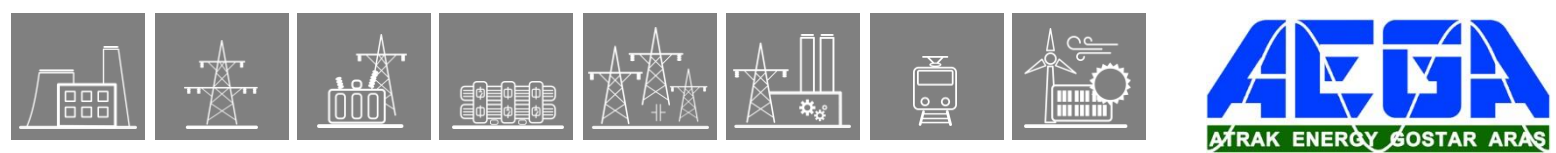


Figure 1-3 The function block of the circuit breaker wear monitoring function



3.2.3. Circuit breaker control function block

3.2.3.1. Application

The circuit breaker control block can be used to integrate the circuit breaker control of the EuroProt+ device into the station control system and to apply active scheme screens of the local LCD of the device.

3.2.3.1.1. Mode of operation

The circuit breaker control block receives remote commands from the SCADA system and local commands from the local LCD of the device, performs the prescribed checking and transmits the commands to the circuit breaker. It processes the status signals received from the circuit breaker and offers them to the status display of the local LCD and to the SCADA system.

Main features:

- Local (LCD of the device) and Remote (SCADA) operation modes can be enabled or disabled individually.
- The signals and commands of the synchro-check / synchro-switch function block can be integrated into the operation of the function block.
- Interlocking functions can be programmed by the user applying the inputs “EnaOff” and “EnaOn”, using the graphic equation editor.
- Programmed conditions can be used to temporarily disable the operation of the function block using the graphic equation editor.
- The function block supports the control models prescribed by the IEC 61850 standard.
- All necessary timing tasks are performed within the function block:
 - Time limitation to execute a command
 - Command pulse duration
 - Filtering the intermediate state of the circuit breaker
 - Checking the synchro-check and synchro-switch times
 - Controlling the individual steps of the manual commands
- Sending trip and close commands to the circuit breaker (to be combined with the trip commands of the protection functions and with the close command of the automatic reclosing function; the protection functions and the automatic reclosing function directly gives commands to the CB). The combination is made graphically using the graphic equation editor
- Operation counter
- Event reporting

3.2.3.2. Circuit Breaker control function overview

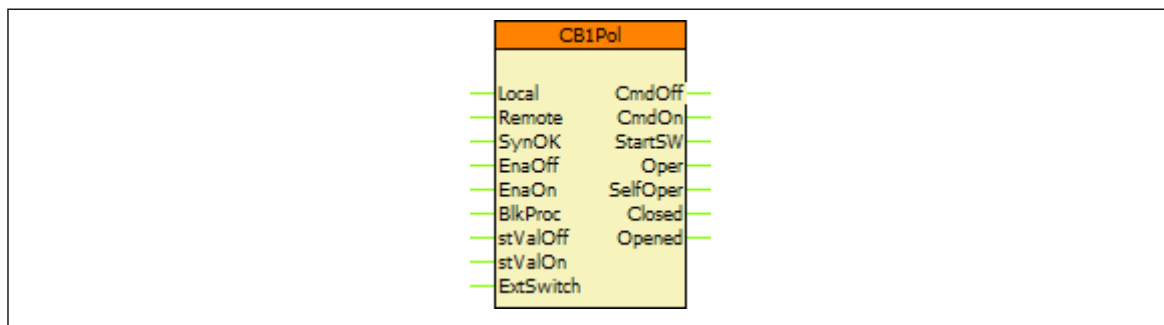


Figure 2-1 Graphic appearance of the function block of the circuit breaker control function

3.2.3.3. Settings

3.2.3.3.1. Parameters

TITLE	DIM	RANGE	STEP	DEFAULT	EXPLANATION
ControlModel	-	Direct normal, Direct enhanced, SBO enhanced	-	Direct normal	The control model of the circuit breaker node according to the IEC 61850 standard
Forced Check	-	FALSE, TRUE	-	TRUE	If true, then the check function cannot be neglected by the check attribute defined by the IEC 61850 standard
Max Operating Time	ms	10 – 1000	1	200	When either enhanced control model is selected, the status of the CB must change within this time after the issued command. At timeout an invalid-position error will be generated for the client.
Pulse Duration	ms	50 – 1000	1	300	Duration of the generated On and Off impulse*
Max Intermediate Time	ms	20 – 500	1	100	Waiting time for status signals, at expiry the CB is reported to be in intermediate state
Max SynCheck Time	ms	10 – 5000	1	1000	Length of the time period to wait for the conditions of the synchronous state. After expiry of this time, the synchro-switch procedure is initiated (see synchro-check/ synchro-switch function block description)
Max SynSW Time**	ms	0 – 60000	1	0	Length of the time period to wait for the synchro-switch impulse (see synchro-check/ synchro-switch function block description). After this time the function resets, no switching is performed
SBO Timeout	ms	1000 – 20000	1	5000	Duration of the waiting time between object selection and command selection. At timeout no command is performed

* If the input status signals (stValOff, stValOn) indicate the successful switching then the pulse is withdrawn, but the minimum duration is 100 ms (factory setting).

** If this parameter is set to 0, then the “StartSW” output is not activated

Table 2-1 Parameters of the circuit breaker control function

3.2.3.3.2. Function I/O

This section describes briefly the analogue and digital inputs and outputs of the function block.

3.2.3.3.2.1. Binary input signals (graphed output statuses)

The conditions of the inputs are defined by the user, applying the graphic equation editor (logic editor). The part written in **bold** is seen on the function block in the logic editor.

BINARY INPUT SIGNAL	EXPLANATION
CB1Pol_ Local _GrO_	If this input is active, the circuit breaker can be controlled using the local LCD of the device.
CB1Pol_ Remote _GrO_	If this input is active, the circuit breaker can be controlled via remote communication channels of the SCADA system or the device web page ('commands' menu)
CB1Pol_ SynOK _GrO_	This input indicates if the synchronous state of the voltage vectors at both sides of the circuit breaker enables the closing command. This signal is usually generated by the synchro check/ synchro switch function. If this function is not available, set the input to logic true.
CB1Pol_ EnaOff _GrO_	The active state of this input enables the opening of the circuit breaker. The state is usually generated by the <i>interlocking conditions defined graphically by the user</i> .
CB1Pol_ EnaOn _GrO_	The active state of this input enables the closing of the circuit breaker. The state is usually generated by the <i>interlocking conditions defined graphically by the user</i> .
CB1Pol_ BlkProc _GrO_	The active state of this input blocks the operation of the circuit breaker. The conditions are defined graphically by the user.
CB1Pol_ stValOff _GrO_	Off (Opened) state of the circuit breaker.
CB1Pol_ stValOn _GrO_	On (Closed) state of the circuit breaker.
CB1Pol_ ExtSwitch _GrO_	This signal is considered only when evaluating unintended operation (see "SelfOper" output in Chapter 2.2.2). It indicates that an external command has been issued to the circuit breaker (e.g. trip request from other protection device or external on/off command is given).

Table 2-2 The binary input signals of the circuit breaker control function

3.2.3.3.2.2. Binary output signals (graphed input statuses)

The binary output status signals of the differential protection function. Parts written in **bold** are seen on the function block in the logic editor.

BINARY OUTPUT SIGNAL	SIGNAL TITLE	EXPLANATION
CB1Pol_ CmdOff _Grl_	Off Command	Off command impulse, the duration of which is defined by the parameter "Pulse duration"
CB1Pol_ CmdOn _Grl_	On Command	On command impulse, the duration of which is defined by the parameter "Pulse duration"
CB1Pol_ StartSW _Grl_	Start Synchro-switch	If the synchro check/synchro switch function is applied and the synchronous state conditions are not valid for the time defined by the parameter "Max.SynChk time", then this output triggers the synchro switch function (see synchro-check/synchro-switch function block description).
CB1Pol_ Oper _Grl_	Operation	An impulse with a duration of 150 ms at any operation of the circuit breaker
CB1Pol_ SelfOper _Grl_	Unintended Operation	This output is logic true if the status of the circuit breaker has changed without detected command from the SCADA system or on the input "ExtSwitch"
CB1Pol_ Closed _Grl_	Closed	The filtered status signal for closed state of the circuit breaker
CB1Pol_ Opened _Grl_	Opened	The filtered status signal for opened state of the circuit breaker

Table 2-3 The binary output signals of the circuit breaker control function

3.2.3.3.2.3. On-line data

Visible values on the on-line data page:

SIGNAL TITLE	DIMENSION	EXPLANATION
Status	-	State of the CB (see Chapter 2.2.6)
Off Command	-	Off command impulse, the duration of which is defined by the parameter "Pulse duration"
On Command	-	On command impulse, the duration of which is defined by the parameter "Pulse duration"
Operation	-	An impulse with a duration of 150 ms at any operation of the circuit breaker
Unintended Operation	-	This output is logic TRUE if the status of the circuit breaker has changed without detected command from the SCADA system or on the input "ExtSwitch"
Opened	-	The filtered status signal for opened state of the circuit breaker
Closed	-	The filtered status signal for closed state of the circuit breaker
Operation counter	-	Resettable* counter that increments every time the Operation (see above) output gets active

*The operation counter can be reset on the device web page on-line menu.

Table 2-4 On-line data of the circuit breaker control function

3.2.3.3.2.4. Events

The following events are generated in the event list, as well as sent to SCADA according to the configuration.

EVENT	VALUE	EXPLANATION
Status	Intermediate,Off,On,Bad	CB state indication based on the received signals

Table 2-5 Event of the circuit breaker control function

3.2.3.3.2.5. Commands

The following table contains the issuable commands of the function block. The name of the command channel is used while working in the EuroCAP configuration tool, whereas the title is seen by the user on the device web page.

COMMAND CHANNEL	TITLE	RANGE	EXPLANATION
CB1Pol_Oper_Con_	Operation	Off,On	Issue open (off) or close (on) command on the corresponding outputs of the function block

Table 2-6 The command of the circuit breaker control function

3.2.3.3.2.6. Indication of the four states (Intermediate, On, Off, Bad)

To generate an active scheme on the local LCD, there is an internal status variable indicating the state of the circuit breaker. Different graphic symbols can be assigned to the values, the function block's events are generated also according to this status variable.

This integer status has four values based on the states of the **stValOn** and **stValOff** inputs of the function block.

INTEGER STATUS	TITLE	STVALON STATE	STVALOFF STATE	VALUE	EXPLANATION
CB1Pol_stVal_ISt_	Status	FALSE	FALSE	0: Intermediate	Integer status signal for indicating the state of the CB according to the corresponding inputs of the function block
		FALSE	TRUE	1: Off	
		TRUE	FALSE	2: On	
		TRUE	TRUE	3: Bad	

Table 2-7 State signals from the circuit breaker control function

3.2.3.3.3. Technical data

FUNCTION	VALUE	ACCURACY
Pulse time		< 3 ms

Table 2-8 The technical data of the circuit breaker control function

3.2.3.3.3.1. Notes for testing

If the commands get blocked from time to time during commissioning, it is advised to check how the conditions are fulfilled to issue commands on the function block. The following **three** conditions must be fulfilled at the same time:

- Local or Remote input is active appropriately
- The enabling input (EnaOff or EnaOn) of the issued command (off or on) is active
- (close/on command only) Synchro-check is OK (SynOK input is active)

If there are no conditions to be defined for any of these three (e.g. there is no synchro-check function present, so no valid signal can be provided to that input), the corresponding input can be connected to constant logical TRUE signal provided by the fixture output of the Common function block.

3.2.3.3.3.1.1. IEC 61850 commands

In several configurations the Interlocking and Control logical nodes may have the same prefix for CB and DC function blocks (**INTCILO#** and **SBwCSWI#** respectively where the '#' marks the instance number). This means that their instance number not necessarily corresponds to the actual function block:

- Example: if there are **2** DC and **1** CB function blocks in the same configuration where the former ones were added first, the instance number **#1** and **#2** will belong to the DC function blocks whereas number **#3** will belong to the CB function block even if it is the only CB control function in the device.
- Make sure to check which logical nodes belong to which function by checking the DOI description using the EuroCAP tool (right click the function block in the Logic editor)

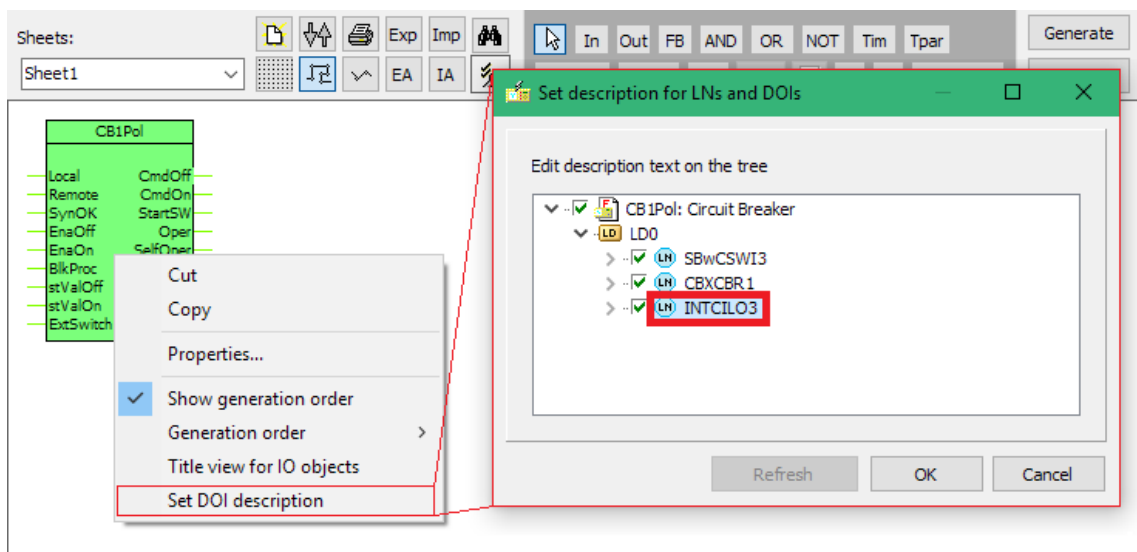
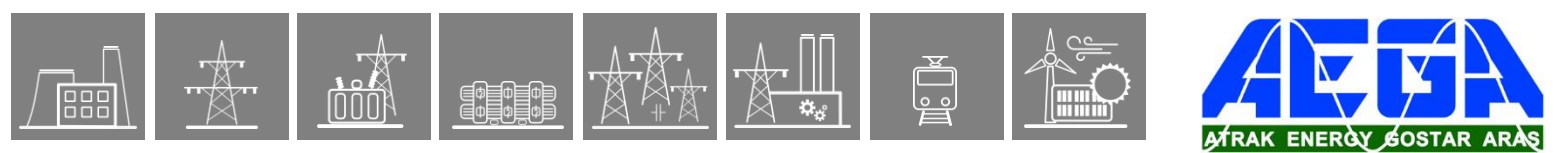


Figure 2-2 Checking the description of the Interlocking LN of the function block

In other cases, the two prefixes are given according to the type of the function block, so they are individual for each (i.e. **CBCILO#** and **CBCSW#** for circuit breaker and **DCCILO#** and **DCCSW#** for disconnector).



3.2.4. Disconnecter control function

3.2.4.1. Application

The disconnector control block can be used to integrate the disconnector control of the EuroProt+ device into the station control system and to apply active scheme screens of the local LCD of the device.

3.2.4.1.1. Mode of operation

The disconnector control block receives remote commands from the SCADA system and local commands from the local LCD of the device, performs the prescribed checking and transmits the commands to the disconnector. It processes the status signals received from the disconnector and offers them to the status display of the local LCD and to the SCADA system.

Main features:

- Local (LCD of the device) and Remote (SCADA) operation modes can be enabled or disabled individually.
- Interlocking functions can be programmed by the user applying the inputs “EnaOff” and “EnaOn”, using the graphic equation editor.
- Programmed conditions can be used to temporarily disable the operation of the function block using the graphic equation editor.
- The function block supports the control models prescribed by the IEC 61850 standard.
- All necessary timing tasks are performed within the function block:
 - Time limitation to execute a command
 - Command pulse duration
 - Filtering the intermediate state of the disconnector
 - Controlling the individual steps of the manual commands
- Sending open and close commands to the disconnector
- Operation counter
- Event reporting

3.2.4.2. Disconnecter control function overview

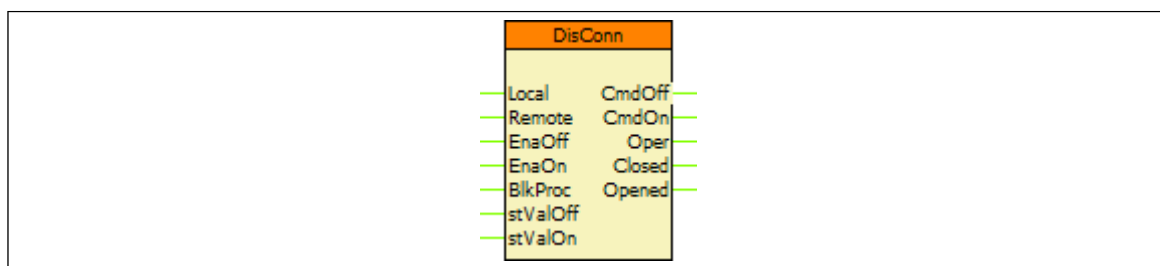


Figure 2-1 Graphic appearance of the function block of the disconnecter control function

3.2.4.2.1. Settings

3.2.4.2.1.1. Parameters

TITLE	DIM	RANGE	STEP	DEFAULT	EXPLANATION
Control Model	-	Direct normal, Direct enhanced, SBO enhanced	-	Direct normal	The control model of the disconnecter node according to the IEC 61850 standard
Type of Switch	-	N/A, Load Break, Disconnecter, Earthing Switch, HS Earthing Switch	-	Disconnecter	
Forced Check	-	FALSE, TRUE	-	TRUE	If true, then the check function cannot be neglected by the check attribute defined by the IEC 61850 standard
Max Operating Time	ms	10 – 60000	1	10000	When either enhanced control model is selected, the status of the DC must change within this time after the issued command. At timeout an invalid-position error will be generated for the client.
Pulse Duration	ms	100 – 60000	1	1000	Duration of the generated On and Off impulse*
Max Intermediate Time	ms	20 – 60000	1	10000	Waiting time for status signals, at expiry the DC is reported to be in intermediate state
SBO Timeout	ms	1000 – 20000	1	5000	Duration of the waiting time between object selection and command selection. At timeout no command is performed

* If the input status signals (stValOff, stValOn) indicate the successful switching then the pulse is withdrawn, but the minimum duration is 1000 ms (factory setting).

Table 2-1 Parameters of the disconnecter control function

3.2.4.2.2. Function I/O

This section describes briefly the analogue and digital inputs and outputs of the function block.

3.2.4.2.2.1. Binary input signals (graphed output statuses)

The conditions of the inputs are defined by the user, applying the graphic equation editor (logic editor). The part written in **bold** is seen on the function block in the logic editor.

BINARY INPUT SIGNAL	EXPLANATION
DisConn_ Local _GrO_	If this input is active, the disconnector can be controlled using the local LCD of the device.
DisConn_ Remote _GrO_	If this input is active, the disconnector can be controlled via remote communication channels of the SCADA system or the device web page ('commands' menu)
DisConn_ EnaOff _GrO_	The active state of this input enables the opening of the disconnector. The state is usually generated by the <i>interlocking conditions defined graphically by the user</i> .
DisConn_ EnaOn _GrO_	The active state of this input enables the closing of the disconnector. The state is usually generated by the <i>interlocking conditions defined graphically by the user</i> .
DisConn_ BlkProc _GrO_	The active state of this input blocks the operation of the disconnector. The conditions are defined graphically by the user.
DisConn_ stValOff _GrO_	Off (Opened) state of the disconnector.
DisConn_ stValOn _GrO_	On (Closed) state of the disconnector.

Table 2-2 The binary input signals of the disconnector control function

3.2.4.2.2.2. Binary output signals (graphed input statuses)

The binary output status signals of the differential protection function. Parts written in **bold** are seen on the function block in the logic editor.

BINARY OUTPUT SIGNAL	SIGNAL TITLE	EXPLANATION
DisConn_ CmdOff _Grl_	Off Command	Off command impulse, the duration of which is defined by the parameter "Pulse duration"
DisConn_ CmdOn _Grl_	On Command	On command impulse, the duration of which is defined by the parameter "Pulse duration"
DisConn_ Oper _Grl_	Operation	An impulse with a duration of 150 ms at any operation of the disconnector
DisConn_ Closed _Grl_	Closed	The filtered status signal for closed state of the disconnector
DisConn_ Opened _Grl_	Opened	The filtered status signal for opened state of the disconnector

Table 2-3 The binary output signals of the disconnector control function

3.2.4.2.2.3. On-line data

Visible values on the on-line data page:

SIGNAL TITLE	DIMENSION	EXPLANATION
Status	-	State of the DC (see Chapter 2.2.6)
Off Command	-	Off command impulse, the duration of which is defined by the parameter "Pulse duration"
On Command	-	On command impulse, the duration of which is defined by the parameter "Pulse duration"
Operation	-	An impulse with a duration of 150 ms at any operation of the disconnecter
Opened	-	The filtered status signal for opened state of the disconnecter
Closed	-	The filtered status signal for closed state of the disconnecter
Operation counter	-	Resettable* counter that increments every time the Operation (see above) output gets active

Table 2-4 On-line data of the disconnecter control function

*The operation counter can be reset on the device web page on-line menu.

3.2.4.2.2.4. Events

The following events are generated in the event list, as well as sent to SCADA according to the configuration.

EVENT	VALUE	EXPLANATION
Status	Intermediate,Off,On,Bad	DC state indication based on the received status signals

Table 2-5 Event of the disconnecter control function

3.2.4.2.2.5. Commands

The following table contains the issuable commands of the function block. The name of the command channel is used while working in the EuroCAP configuration tool, whereas the title is seen by the user on the device web page.

COMMAND CHANNEL	TITLE	RANGE	EXPLANATION
DisConn_Oper_Con_	Operation	Off,On	Issue open (off) or close (on) command on the corresponding outputs of the function block

Table 2-6 The command of the disconnecter control function

3.2.4.2.2.6. Indication of the four states (Intermediate, On, Off, Bad)

To generate an active scheme on the local LCD, there is an internal status variable indicating the state of the disconnecter. Different graphic symbols can be assigned to the values, the function block's events are generated also according to this status variable.

This integer status has four values based on the states of the **stValOn** and **stValOff** inputs of the function block.

INTEGER STATUS	TITLE	STVALON STATE	STVALOFF STATE	VALUE	EXPLANATION
DisConn_stVal_ISt_	Status	FALSE	FALSE	0: Intermediate	Integer status signal for indicating the state of the DC according to the corresponding inputs of the function block
		FALSE	TRUE	1: Off	
		TRUE	FALSE	2: On	
		TRUE	TRUE	3: Bad	

Table 2-7 State signals from the disconnecter control function

3.2.4.2.3. Technical data

FUNCTION	VALUE	ACCURACY
Operate time		±5% or ±15 ms, whichever is greater

Table 2-8 The technical data of the disconnecter control function

3.2.4.2.3.1. Notes for testing

If the commands get blocked from time to time during commissioning, it is advised to check how the conditions are fulfilled to issue commands on the function block. The following **three** conditions must be fulfilled at the same time:

- Local or Remote input is active appropriately
- The enabling input (EnaOff or EnaOn) of the issued command (off or on) is active

If there are no conditions to be defined for any of these two (e.g. there is no difference made between local/remote control), the corresponding input can be connected to constant logical TRUE signal provided by the fixture output of the Common function block.

3.2.4.2.3.1.1. IEC 61850 commands

In several configurations the Interlocking and Control logical nodes may have the same prefix for DC and CB function blocks (**INTCILO#** and **SBwCSWI#** respectively where the '#' marks the instance number). This means that their instance number not necessarily corresponds to the actual function block:

- Example: if there are **1** CB and **1** DC function blocks in the same configuration where the former was added first, the instance number **#1** will belong to the CB function block whereas number **#2** will belong to the DC function block even if it is the only DC control function in the device.
- Make sure to check which logical nodes belong to which function by checking the DOI description using the EuroCAP tool (right click the function block in the Logic editor)

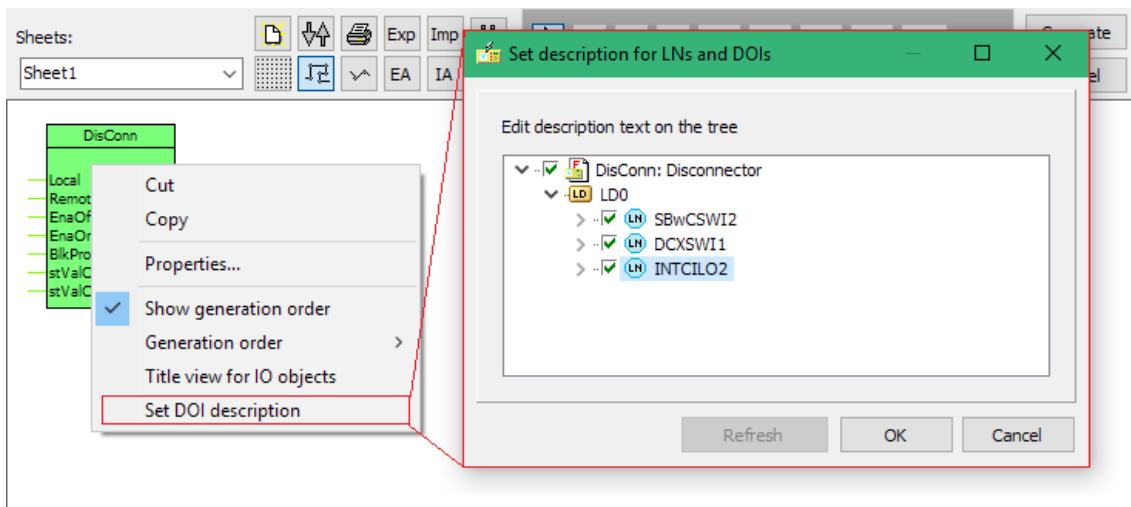


Figure 2-2 Checking the description of the Interlocking LN of the function block

In other cases, the two prefixes are given according to the type of the function block, so they are individual for each (i.e. **DCCILO#** and **DCCSW#** for disconnector and **CBCILO#** and **CBCSW#** for circuit breaker).

3.2.4.3. Example logic

A simple example can be seen below of how to insert the function block in the user logic using the EuroCAP Logic Editor:

- The Local/Remote state of the device is provided by the Common function block which is present in all configurations
- The connections to the BIn and BOut elements show the connections to the physical input and output contacts
- The highlighted signal leading to the EnaOff and EnaOn inputs is the realization of the interlocking logic. In this case the disconnecter can operate only if the circuit breaker is opened.

The opened state of the CB is now indicated by its filtered 'Opened' signal which is active only if the CB is open and there is no state error (or intermediate state) of it.

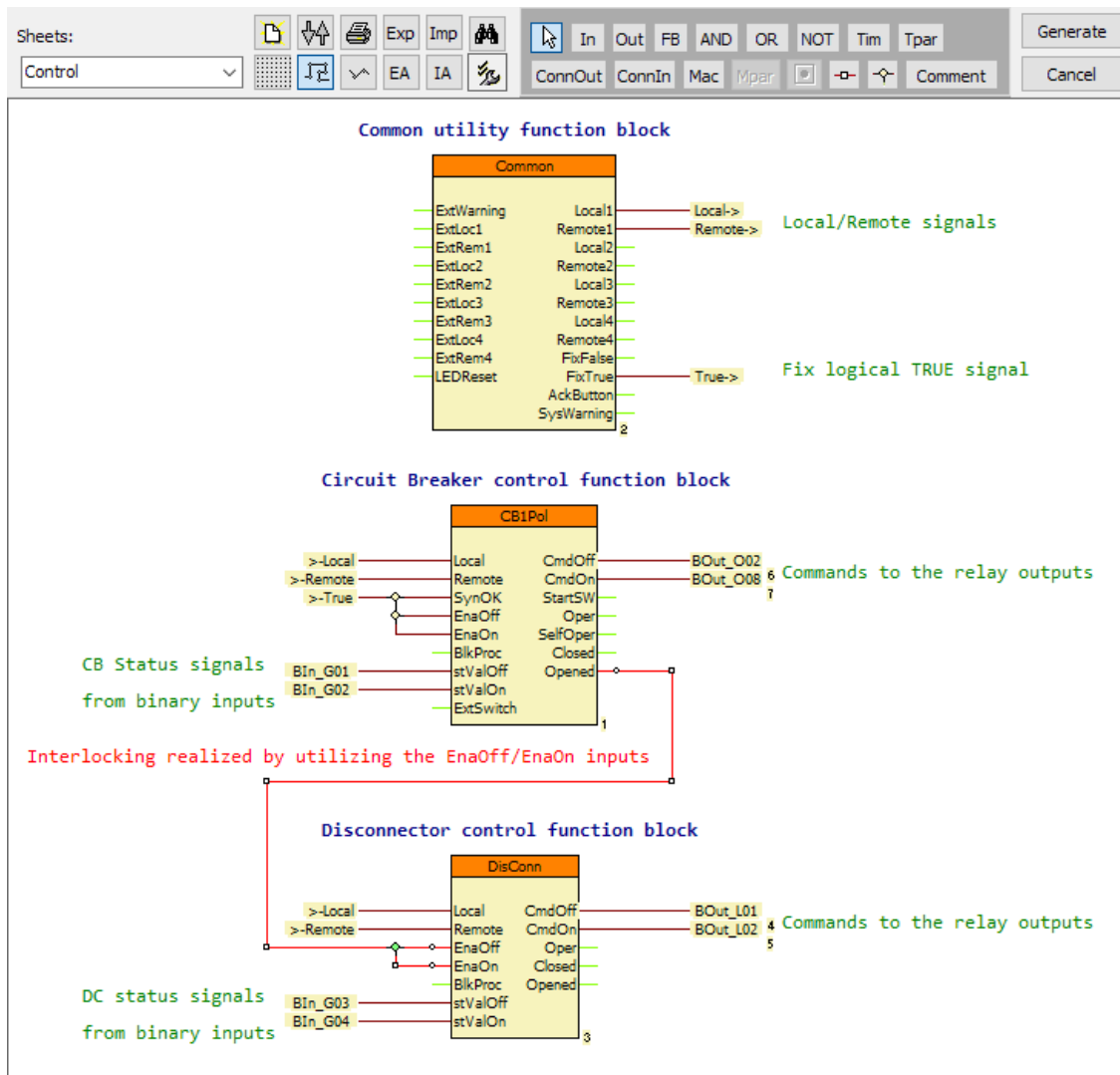
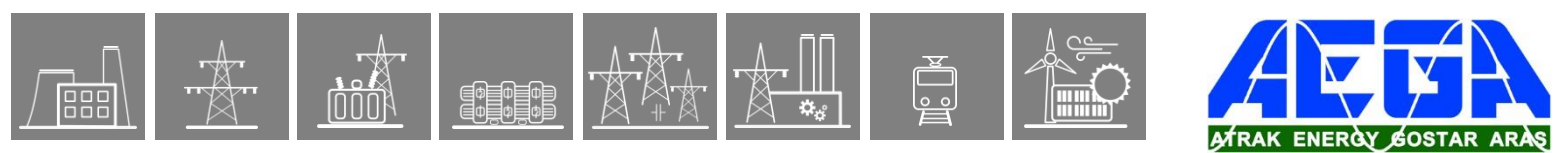


Figure 3-1 Inserting the disconnecter function block into the logic (example)



3.2.5. Ethernet Links function

3.2.5.1. Introduction

The EuroProt+ device constantly checks the statuses of its connections to the outside world (wherever possible). These statuses can be seen on the **status/log** page in the advanced menu on the web page of the device.

When further indications are needed or the signals of the statuses (such as events, logic signals for the user logic, LEDs etc.), the Ethernet Links function block makes these available for the user.

3.2.5.1.1. Ports

The function can check the following types of communication ports:

- Fiber Optic (MM – multi mode)
- Fiber Optic (SM – single mode)
- RJ45
- PRP/HSR
- EOB (Ethernet On Board on the front HMI of the device)

See the EuroProt+ Hardware Description (different document) for the list of the CPU modules that contain any of these ports.

3.2.5.2. Ethernet Links function overview

The graphic appearance of the function block is shown on [Figure 2-1](#). These blocks show all binary input and output status signals, which are applicable in the graphic equation editor.

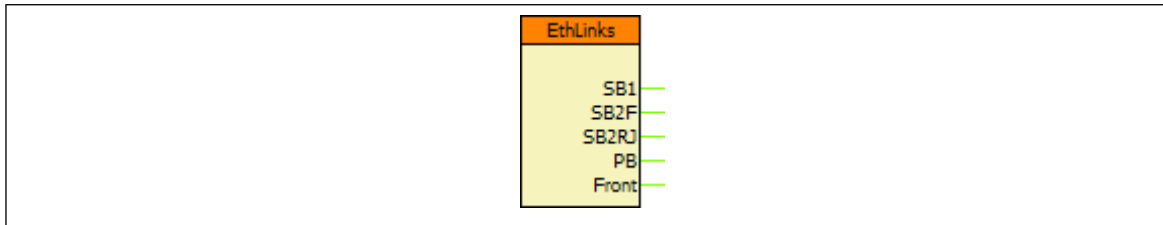


Figure 2-1 Graphic appearance of the function block of the ethernet links function

3.2.5.2.1. Settings

There are no settings for this function block.

3.2.5.2.2. Function I/O

This section describes briefly the analogue and digital inputs and outputs of the function block.

This function block owns only binary output signals.

3.2.5.2.2.1. Binary output signals (graphed input statuses)

The binary output status signals of the Ethernet Links function. **Parts written in bold** are seen on the function block in the logic editor.

BINARY OUTPUT SIGNAL	SIGNAL TITLE	EXPLANATION
EthLnk_ SB1 _Grl_	Station Bus1	Active if the first (upper) fiber optic port of the CPU module has an active connection.
EthLnk_ SB2F _Grl_	Station Bus2 – Fiber	Active if the second (middle) fiber optic port of the CPU module has an active connection.
EthLnk_ SB2RJ _Grl_	Station Bus2 –RJ4	Active if the RJ45 port of the CPU module has an active connection.
EthLnk_ PB _Grl_	Process Bus	Active if the third (lower) fiber optic port of the CPU module has an active connection
EthLnk_ Front _Grl_	RJ45/EOB on front panel	Active if the front RJ45 port (or EOB) has an active connection

Table 2-1 The binary output status signals of the ethernet links function

3.2.5.2.2.2. On-line data

Visible values on the on-line data page:

SIGNAL TITLE	DIMENSION	EXPLANATION
Station Bus1	-	Active if the first (upper) fiber optic port of the CPU module has an active connection.
Station Bus2 – Fiber	-	Active if the second (middle) fiber optic port of the CPU module has an active connection.
Station Bus2 –RJ4	-	Active if the RJ45 port of the CPU module has an active connection.
Process Bus	-	Active if the third (lower) fiber optic port of the CPU module has an active connection
RJ45/EOB on front panel	-	Active if the front RJ45 port (or EOB) has an active connection

Table 2-2 The measured analogue values of the ethernet links function

3.2.5.2.2.3. Events

The following events are generated in the event list, as well as sent to SCADA according to the configuration.

EVENT	VALUE	EXPLANATION
Station Bus1	off, on	Active if the first (upper) fiber optic port of the CPU module has an active connection.
Station Bus2 – Fiber	off, on	Active if the second (middle) fiber optic port of the CPU module has an active connection.
Station Bus2 –RJ4	off, on	Active if the RJ45 port of the CPU module has an active connection.
Process Bus	off, on	Active if the third (lower) fiber optic port of the CPU module has an active connection
RJ45/EOB on front panel	off, on	Active if the front RJ45 port (or EOB) has an active connection

Table 2-3 Events of the ethernet links function

3.2.5.2.3. Technical data

There is no technical data to add.

3.2.6. Trip Circuit Supervision

3.2.6.1. Introduction

This document describes the applicable hardware and provides guidelines for usage in the device configuration.

3.2.6.1.1. Operation principle

The trip circuit supervision is utilized for checking the integrity of the circuit between the trip coil and the tripping output of the protection device.

This is realized by injecting a small DC current (around 1-5 mA) into the trip circuit. If the circuit is intact, the current flows, causing an active signal to the opto coupler input of the trip contact.

The state of the input is shown on the devices' binary input listing among the other binary inputs, and it can be handled like any other of them (it can be added to the user logic, etc.)

3.2.6.1.2. Applicable modules

The following modules contain trip outputs with trip circuit supervision. The information here is restricted to the trip circuit supervision only. For more details please refer to the EuroProt+ Hardware description from which these were extracted. Note that there are other modules without trip circuit supervision, those are not listed here.

Table 1-1 Modules with Trip Circuit Supervision

MODULE TYPE	TRIP+4201	TRIP+2101	TRIP+2201	PSTP+4201	PSTP+2101
CHANNEL NUMBER	4	4	4	2	2
RATED VOLTAGE	24 V DC and 48 V DC	110 V DC	220 V DC	24 V DC and 48 V DC and 60 V DC	110 V DC and 220 V DC
THERMAL WITHSTAND VOLTAGE	72 V DC	150 V DC	242 V DC	72 V DC	242 V DC

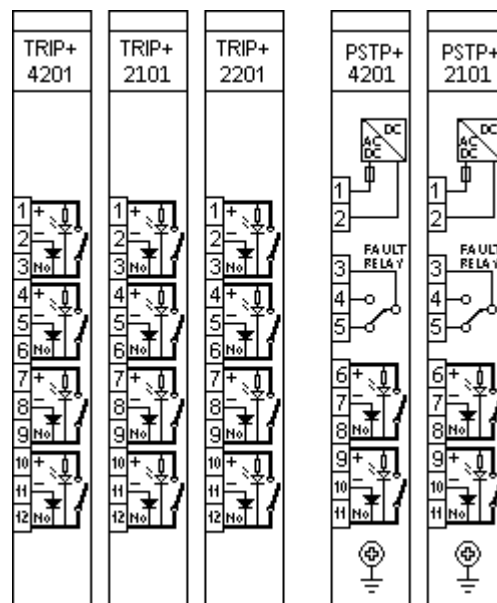


Figure 1-1 I/O arrangement of the modules with TCS

3.2.6.2. Hardware application

3.2.6.2.1. Wiring

The wiring of these modules can be 2-wire or 3-wire. The TCS – Trip Circuit Supervision function is active with both methods.



The voltage of the "No" contact is maximized at 15 V by a Zener-diode. Make sure that the voltage caused by the resistance of the circuit breaker and the injected current from the TRIP+ module does not reach 10 V. In case of PSTP+ modules, this voltage is 8 V (PSTP+/4201) and 13 V (PSTP+/2101).



Our TRIP+ modules are made to switch DC circuits. **Using reversed polarity or AC voltage can cause the damage of the internal circuits.**

3.2.6.2.1.1. 3-wire TRIP+ wiring methods

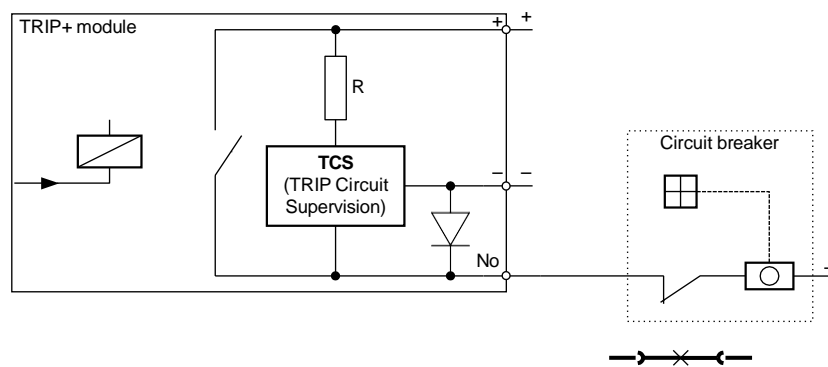


Figure 2-1 3-wire TRIP+ wiring

It is possible to use parallel connected TRIP+ modules. In this case the negative contacts must be common.

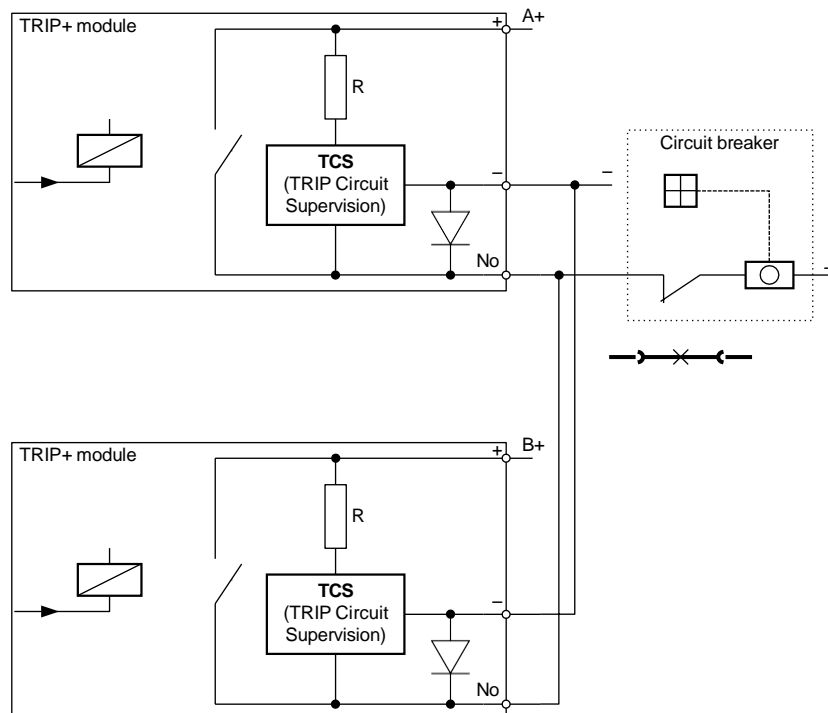


Figure 2-2 3-wire TRIP+ wiring using parallel connected TRIP+ modules

3.2.6.2.1.2. 2-wire TRIP+ wiring methods

If it is necessary, you can also wire the TRIP+ modules using only the “+” and the “No” contacts.

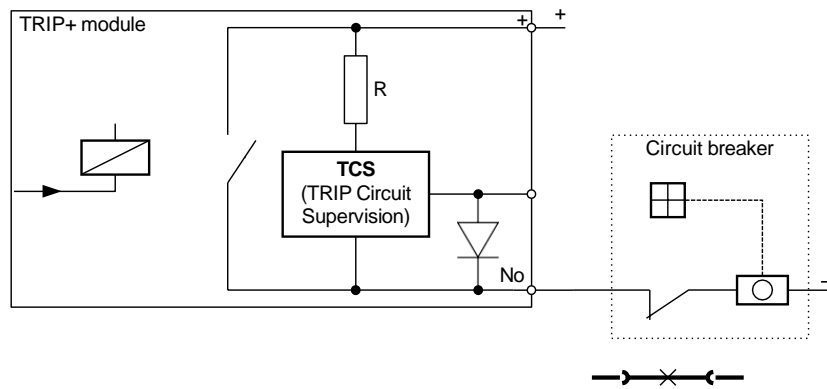


Figure 2-3 2-wire TRIP+ wiring

It is possible to use parallel connected TRIP+ modules.

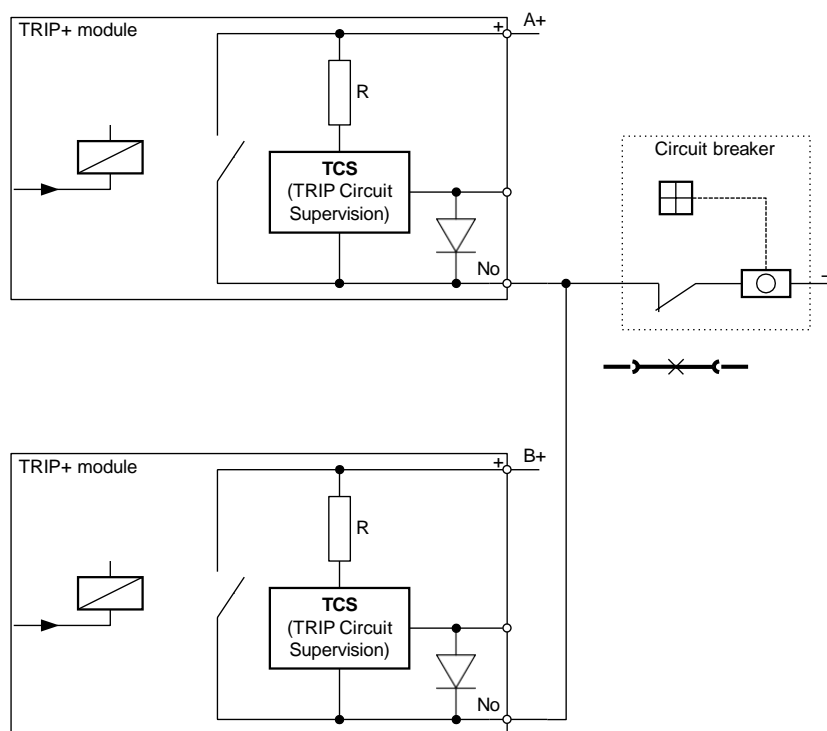


Figure 2-4 2-wire TRIP+ wiring using parallel connected TRIP+ modules

If the circuit breaker needs two-pole switching, TRIP+ modules can be connected series as you can see in [Figure 2-5](#).

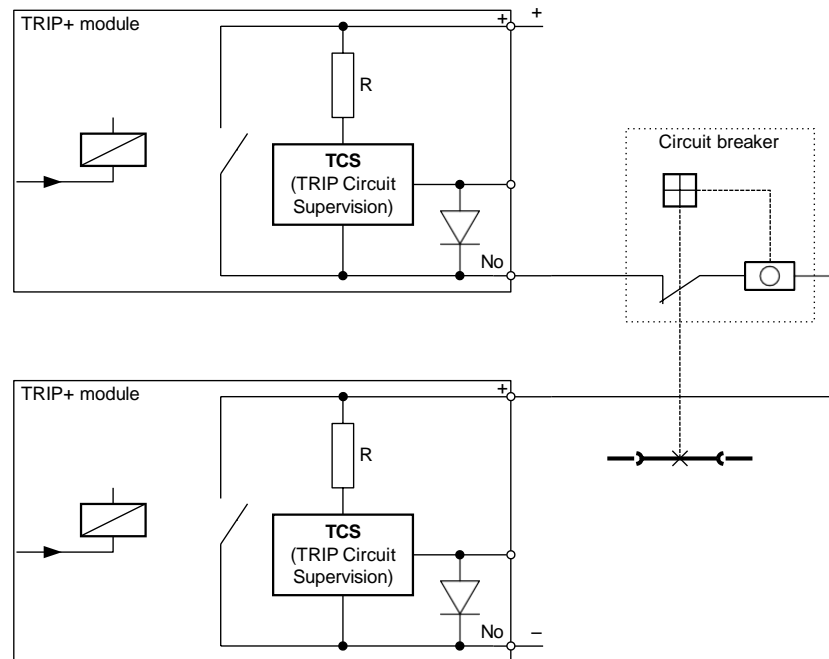


Figure 2-5 2-wire TRIP+ wiring using series connected TRIP+ modules

3.2.6.2.2. TCS signal handling

The Trip Circuit Supervision detects broken trip circuit if the current flowing through the trip coil is below 1 mA or (in case of 3-wire wirings) the voltage on it is above 8-10-13 V (depending on the module).

In Chapter [2.3](#) there are calculated maximum values for the resistance of the trip coil. If these values are exceeded, the TCS might consider the trip circuit broken even if it is intact.

To solve this, there are two ways:

- a) **Using the 2-wire wiring method***: leaving out/disconnecting the DC- part of the TRIP wiring may solve the issue.
Note that in this case the voltage is not maximized on 15 V, so **the used voltage (up to 220 Vdc) will appear on the “NO” pin**. Caution is advised when touching the wiring in this case.
- b) **Usage of modules without TCS**: if the TCS is not a requirement (e.g. in backup protections), it can be simply left out by opting for the appropriate modules (such as PSTP+/2131 or TRIP+/21F1) while ordering.

**The inputs of some relay testers might sense the states of the Trip contacts active even if they are not. In such cases the “-“ pin must be wired in for the tests.*



3.2.6.2.3. Technical data

The following tables contain information according to the wiring connections described in Chapter 2.1.

Table 2-1 Technical data for the TRIP+ modules

MODULE TYPE	TRIP+4201	TRIP+2101	TRIP+2201	
VALUE OF R RESISTOR ($\pm 10\%$)	10 k Ω	73 k Ω	130 k Ω	
INJECTED CURRENT AT "NO" CONTACT	2.4 mA @ 24 V DC 4.8 mA @ 48 V DC	1.5 mA @ 110 V DC	1.7 mA @ 220 V DC	
MAXIMUM RESISTANCE OF THE TRIP COIL	3-WIRE WIRING (MAX. 10 V)	11.8 k Ω @ 24 V DC 3.7 k Ω @ 48 V DC	9.7 k Ω @ 110 V DC 8.4 k Ω @ 125 V DC	8.1 k Ω @ 220 V DC
	3-WIRE WIRING WITH IN PARALLEL (MAX. 10 V)	5.9 k Ω @ 24 V DC 1.8 k Ω @ 48 V DC	4.8 k Ω @ 110 V DC 4.2 k Ω @ 125 V DC	4 k Ω @ 220 V DC
	2-WIRE METHOD (1 mA MIN. CURRENT)	14 k Ω @ 24 V DC 38 k Ω @ 48 V DC	37 k Ω @ 110 V DC 52 k Ω @ 125 V DC	90 k Ω @ 220 V DC

The PSTP+ modules work based on current generator principle, so the calculations for these are based on the necessary minimum current and the allowed maximum voltage.

Table 2-2 Technical data for the PSTP+ modules

MODULE TYPE	PSTP+4201	PSTP+2101	
INJECTED CURRENT AT "NO" CONTACT	1.5 mA	1.5 mA	
MAXIMUM RESISTANCE OF THE TRIP COIL	3-WIRE WIRING (1 mA CURRENT)	8 k Ω (max. 8 V)	13 k Ω (max. 13 V)
	3-WIRE WIRING IN PARALLEL	4 k Ω (max. 8 V)	6.5 k Ω (max. 13 V)
	2-WIRE METHOD (1 mA MIN. CURRENT)	24 k Ω @ 24 V DC 48 k Ω @ 48 V DC 60 k Ω @ 60 V DC	110 k Ω @ 110 V DC 220 k Ω @ 220 V DC

3.2.6.3. Software application

3.2.6.3.1. Binary inputs



The **TCS input is active if the trip circuit is intact**, so the logical '0' or FALSE signal of the input means that either the trip circuit is broken, or it connects to high resistance.

The TCS signals are shown the same way as other binary inputs are in the device: they can be seen in the **on-line data** menu on the local HMI or the device web page, and they can be utilized just like any other binary input when editing the device configuration with EuroCAP software.

The names/titles of the inputs follow the occupied slot of the TRIP module (if it is in Slot **N**, the TCS contact is named Bln_#).

3.2.6.3.2. The TCS macro

In most cases the trip circuit is tripped along with the circuit breaker as well. In situations like this the TCS input would signal a broken trip circuit (logical '0' or FALSE) unnecessarily. To avoid this, the status signals of the CB are to be used combined with the TCS input signal so that it will be evaluated only when the CB is closed.

The TCS macro incorporates this logic for two separate TCS inputs for one CB (see [Figure 3-2](#) for the two TCS inputs and the CB status signal inputs). The outputs are the failure signals for each connected TCS input.

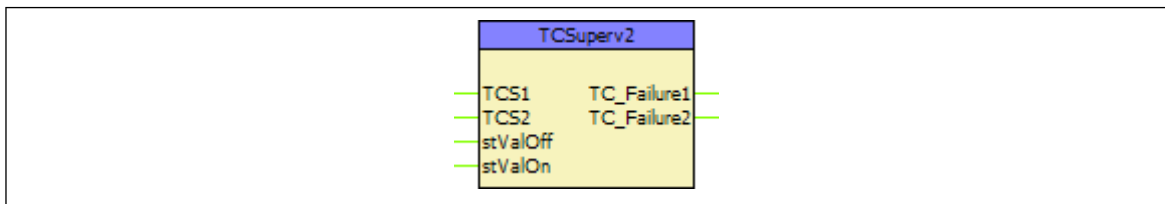


Figure 3-1 Graphic appearance of the Trip Circuit Supervision macro



The internal logic of the macro can be seen on [Figure 3-2](#) below. Both outputs have a fixed pick delay of 1000 ms. Note that **here the outputs are active if the trip circuit is broken**. For a CB with only 1 trip circuit it is enough to simply leave the **TCS2** input open (naturally in this case the TC_Failure2 output cannot be used).

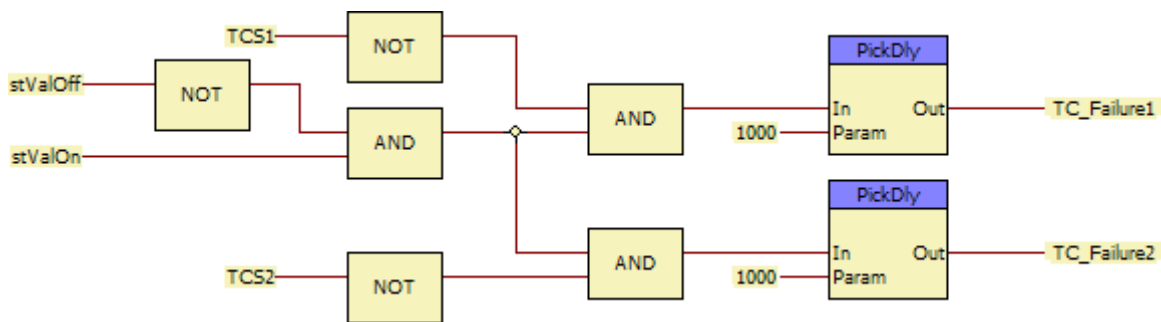


Figure 3-2 Internal logic of the Trip Circuit Supervision macro

3.2.6.3.2.1. Binary input signals

The following table explains the binary input signals of the macro.

Table 3-1 Binary input signals of the Trip Circuit Supervision macro

BINARY INPUT SIGNAL	EXPLANATION
TCS1	Connect here the first TCS binary input
TCS2	Connect here the second TCS binary input
stValOff	CB Off/Open signal
stValOn	CB On/Closed signal

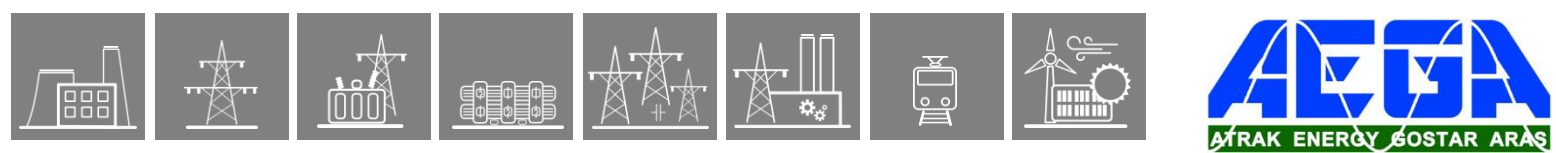
3.2.6.3.2.2. Binary output signals

The following table explains the binary output signals of the macro.

Table 3-2 Binary output signals of the Trip Circuit Supervision macro

BINARY OUTPUT SIGNAL	EXPLANATION
TC_Failure1	Failure on the first circuit
TC_Failure2	Failure on the second circuit

Note that these are the outputs of a macro, and not a function block, so they must be connected to a physical or a logical output (ConnOut, create status) to make them usable in other parts of the configuration. For further information please refer to the EuroCAP software description.



3.2.7. Dead Line Detection Function

3.2.7.1. Application

The “Dead Line Detection” (DLD) function generates a signal indicating the dead or live state of the line. Additional signals are generated to indicate if the phase voltages and phase currents are above the pre-defined limits.

3.2.7.1.1. Mode of Operation

The task of the “Dead Line Detection” (DLD) function is to decide the Dead line/Live line state.

Criteria of “Dead line” state: all three phase voltages are below the voltage setting value AND all three currents are below the current setting value.

Criteria of “Live line” state: all three phase voltages are above the voltage setting value.

3.2.7.1.2. Structure of the Algorithm

Figure 1-1 shows the structure of the dead line detection algorithm.

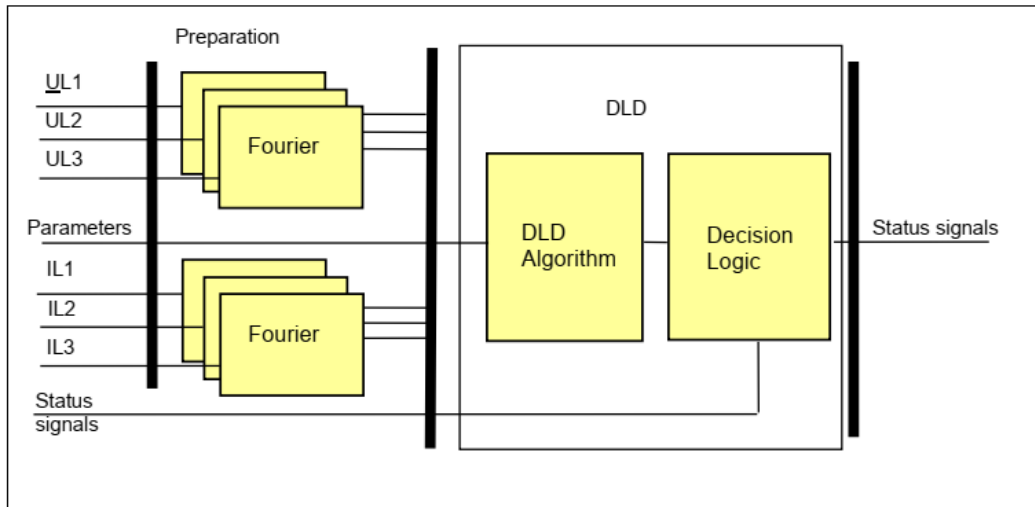


Figure 1-1 Structure of the dead line detection algorithm

For the preparation phase:

The **inputs** are

- the sampled values of the three phase voltages (UL1, UL2, UL3) and three phase currents (IL1, IL2, IL3),
- parameters.

The **outputs** are

- the fundamental Fourier components of the three phase voltages (UL1, UL2, UL3) and three phase currents (IL1, IL2, IL3).

For the DLD function:

The **inputs** are

- the fundamental Fourier components of the three phase voltages (UL1, UL2, UL3) and three phase currents (IL1, IL2, IL3),
- parameters,
- status signals.

The **software modules** of the dead line detection function are:

Fourier calculations

These modules calculate the basic Fourier components of the phase currents and phase voltages individually. These modules belong to the preparation phase.

Dead Line Detection

This module decides if the “Live line condition” (Line_OK) or the “DeadLine condition” is fulfilled.

Decision logic

The decision logic module combines the status signals to generate the outputs of the function.

The following description explains the details of the individual components.

3.2.7.1.3. The Fourier Calculation (Fourier)

These modules calculate the basic Fourier current components of the phase voltages and phase currents individually. These modules belong to the preparation phase.

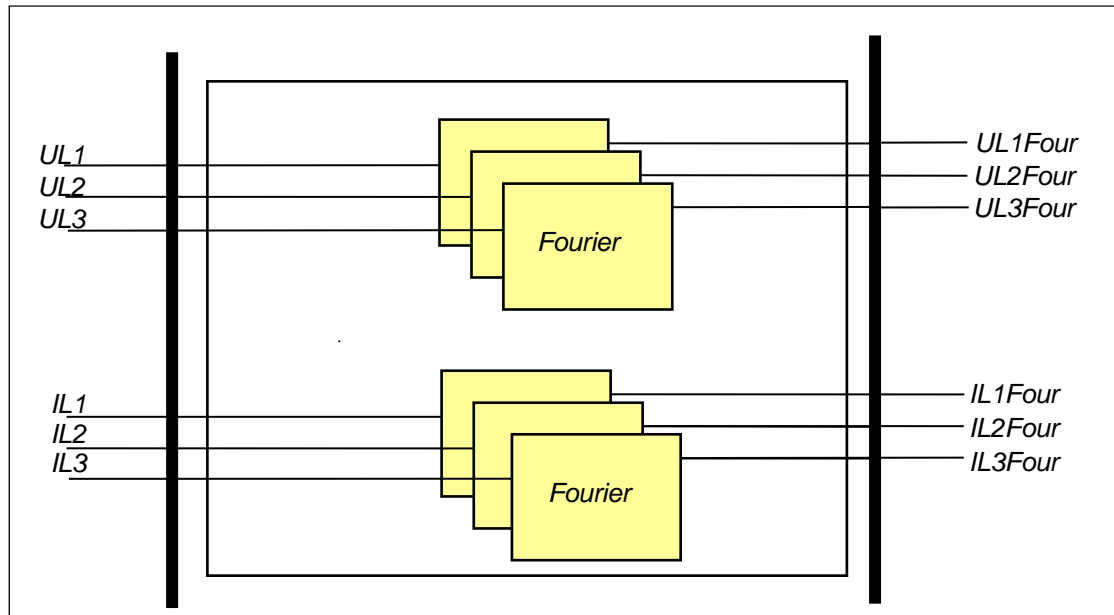


Figure 1-2 Principal scheme of the Fourier calculation

The **inputs** are the sampled values of:

- the three phase voltages (UL1, UL2, UL3)
- the three phase currents (IL1, IL2, IL3)

The **outputs** are:

- the basic Fourier components of the analyzed voltages (UL1Four, UL2Four, UL3Four),
- the basic Fourier components of the analyzed currents (IL1Four, IL2Four, IL3Four).

3.2.7.1.4. The Dead Line Detection Algorithm (Dead Line Detection)

This module decides if the “Live line condition” (Line_OK) or the “DeadLine condition” is fulfilled.

The **inputs** are

- the basic Fourier components of the phase voltages (UL1Four, UL2Four, UL3Four),
- the basic Fourier components of the phase currents (IL1Four, IL2Four, IL3Four),
- status signals,
- parameters.

The **outputs** are the internal status signals of the function. These indicate the “DeadLine condition” or the “Live line condition” (Line_OK) state.

Criteria of “Dead line” state: all three phase voltages are below the voltage setting value AND all three currents are below the current setting value.

Criteria of “Live line” state: all three phase voltages are above the voltage setting value.

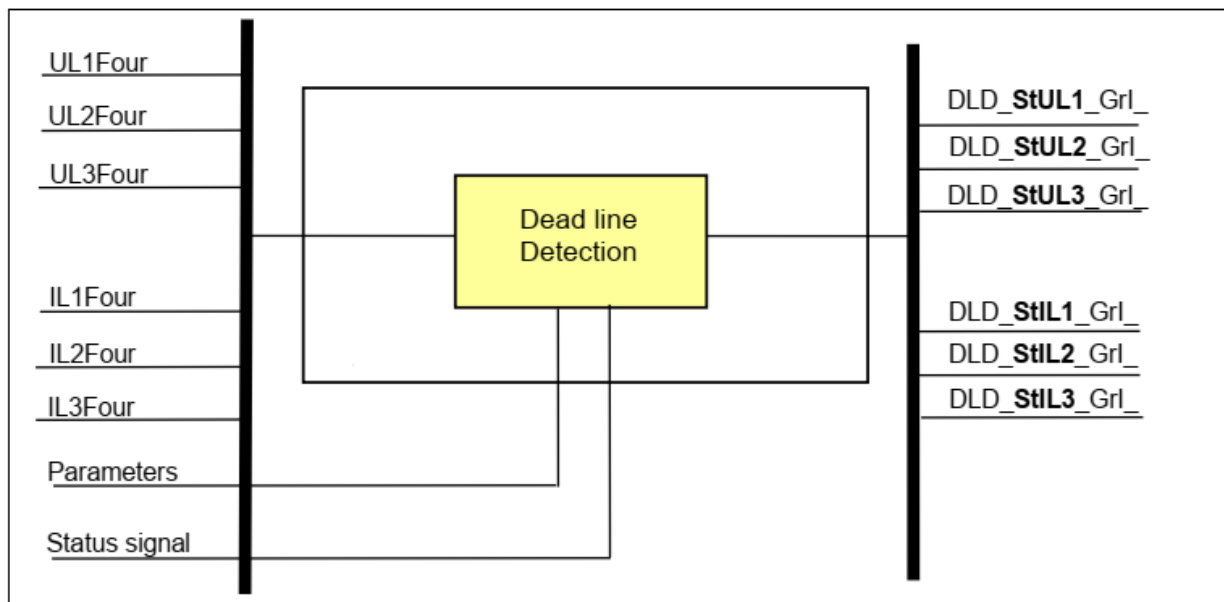


Figure 1-3 Principal scheme of the dead line detection function

Enumerated parameters

Table 1-1 The enumerated parameters of the dead line detection function

TITLE	DIM	RANGE	STEP	DEFAULT	EXPLANATION
Operation	-	Off, On	-	Off	Parameter for enabling the function

Integer parameters

Table 1-2 The integer parameters of the dead line detection function

TITLE	DIM	RANGE	STEP	DEFAULT	EXPLANATION
Min Operate Voltage	%	10 – 100	1	60	Voltage setting for “Dead line” state criteria.
Min Operate Current	%	2 – 100	1	10	Current setting for “Dead line” state criteria.

Binary status signals

The dead line detection function has a binary input signal, which serves the purpose of disabling the function. **The conditions of disabling are defined by the user, applying the graphic equation editor.**

Table 1-3 The binary input signal of the dead line detection function

BINARY STATUS SIGNAL	SIGNAL TITLE	EXPLANATION
DLD_Blk_GrO_	Block	Input used to disable the function

The **binary output status signals** of the residual dead line detection function are listed in [Table 1-4](#).

Table 1-4 The binary output status signals of the dead line detection function

BINARY OUTPUT SIGNAL	SIGNAL TITLE	EXPLANATION
DLD_StUL1_Grl_	Start UL1	The voltage of phase L1 is above the setting limit
DLD_StUL2_Grl_	Start UL2	The voltage of phase L2 is above the setting limit
DLD_StUL3_Grl_	Start UL3	The voltage of phase L3 is above the setting limit
DLD_StIL1_Grl_	Start IL1	The current of phase L1 is above the setting limit
DLD_StIL2_Grl_	Start IL2	The current of phase L2 is above the setting limit
DLD_StIL3_Grl_	Start IL3	The current of phase L3 is above the setting limit

3.2.7.1.5. The Decision Logic (Decision logic)

The decision logic module combines status signals, binary and enumerated parameters to generate the dead line or live line status signals.

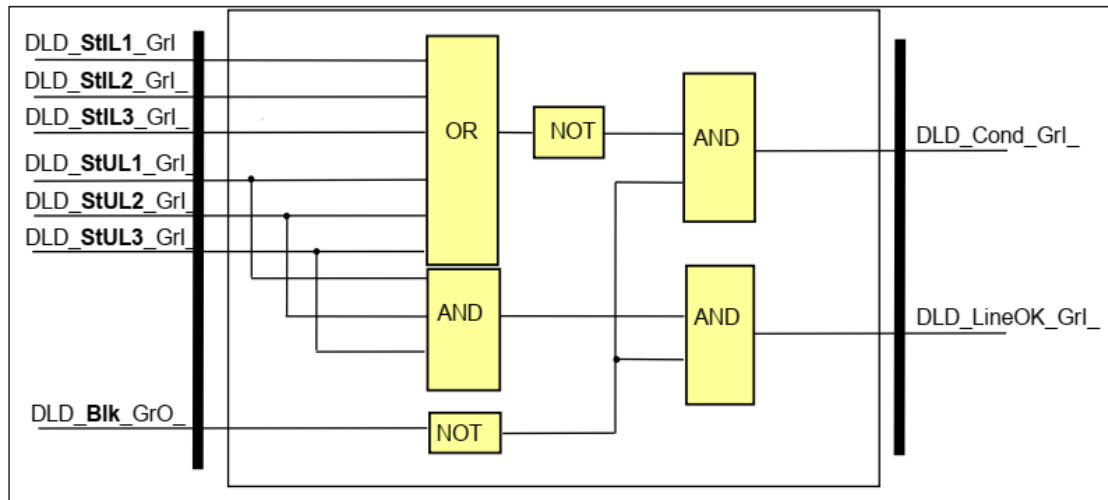


Figure 1-4 The logic scheme of the decision logic

Table 1-5 The binary input status signal of the decision logic

BINARY INPUT SIGNAL	SIGNAL TITLE	EXPLANATION
DLD_StUL1_Grl_	Start UL1	The voltage of phase L1 is above the setting limit
DLD_StUL2_Grl_	Start UL2	The voltage of phase L2 is above the setting limit
DLD_StUL3_Grl_	Start UL3	The voltage of phase L3 is above the setting limit
DLD_StIL1_Grl_	Start IL1	The current of phase L1 is above the setting limit
DLD_StIL2_Grl_	Start IL2	The current of phase L2 is above the setting limit
DLD_StIL3_Grl_	Start IL3	The current of phase L3 is above the setting limit

Binary status signals

The function has a binary input signal, which serves the purpose of disabling the function. **The conditions of disabling are defined by the user, applying the graphic equation editor.**

Table 1-6 The binary input signal of the dead line detection function

BINARY STATUS SIGNAL	SIGNAL TITLE	EXPLANATION
DLD_Blk_GrO_	Block	Input for disabling the function

Table 1-7 The binary output status signals of the dead line detection function

BINARY OUTPUT SIGNAL	SIGNAL TITLE	EXPLANATION
DLD_DeadLine_Grl_	DeadLine condition	The requirements of "DeadLine condition" are fulfilled
DLD_LineOK_Grl_	LineOK condition	The requirements of "Live line condition" (LineOK) are fulfilled

3.2.7.2. DeadLine Detection Function Overview

The graphic appearance of the dead line detection function block is shown in [Figure 2-1](#). This block shows all binary input and output status signals that are applicable in the graphic equation editor.

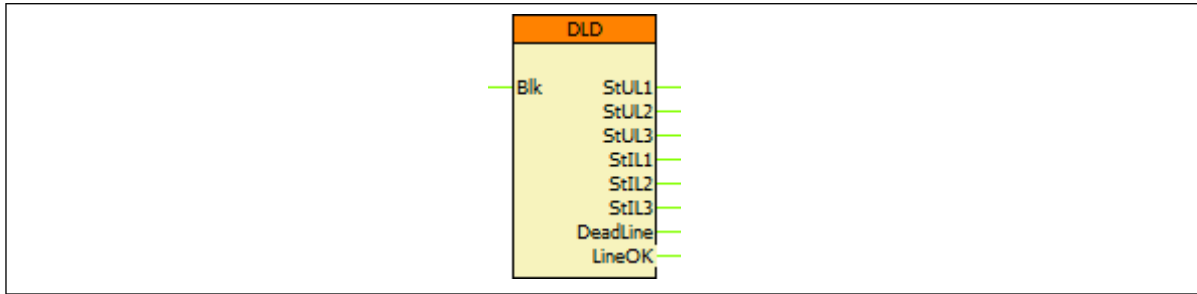


Figure 2-1 The function block of the residual instantaneous overcurrent protection

3.2.7.2.1. Settings

3.2.7.2.1.1. Parameters

The available parameters are listed below in order of their appearance in the *parameters* menu. If the setting range of a parameter should be extended, contact Protecta Support.

Table 2-1 Parameters of the dead line detection function

TITLE	DIM	RANGE	STEP	DEFAULT	EXPLANATION
Operation	-	Off, On	-	Off	Parameter for enabling the function
Min Operate Voltage	%	10 – 100	1	60	Voltage setting for “Dead line” state criteria.
Min Operate Current	%	2 – 100	1	10	Current setting for “Dead line” state criteria.

3.2.7.2.2. Function I/O

This section briefly describes the analogue and digital inputs and outputs of the function block.

3.2.7.2.2.1. Analogue inputs

The analog inputs are the sampled values of the three phase voltages and the three phase currents.

3.2.7.2.2.2. Binary input signals (graphed output statuses)

The conditions of the binary inputs are defined by the user, applying the graphic equation editor (*Logic Editor*). Parts written in **bold** are seen on the left side of the function block in the Logic editor.

Table 2-2 The binary input signals of the dead line detection function

BINARY INPUT SIGNAL	SIGNAL TITLE	EXPLANATION
DLD_ Blk _GrO_	Block	Input for disabling the function

3.2.7.2.2.3. Binary output signals (graphed input statuses)

These signals can be used in EuroCAP to assign to LED, user LCD object etc. Parts written in **bold** are seen on the right side of the function block in the *Logic Editor*.

Table 2-3 The binary output signals of the dead line detection function

BINARY OUTPUT SIGNAL	SIGNAL TITLE	EXPLANATION
DLD_ StUL1 _GrI_	Start UL1	The voltage of phase L1 is above the setting limit
DLD_ StUL2 _GrI_	Start UL2	The voltage of phase L2 is above the setting limit
DLD_ StUL3 _GrI_	Start UL3	The voltage of phase L3 is above the setting limit
DLD_ StIL1 _GrI_	Start IL1	The current of phase L1 is above the setting limit
DLD_ StIL2 _GrI_	Start IL2	The current of phase L2 is above the setting limit
DLD_ StIL3 _GrI_	Start IL3	The current of phase L3 is above the setting limit
DLD_ DeadLine _GrI_	DeadLine condition	The requirements of "DeadLine condition" are fulfilled
DLD_ LineOK _GrI_	LineOK condition	The requirements of "Live line condition" (LineOK) are fulfilled

3.2.7.2.2.4. Online data

The following values are visible in the *online data* page.

Table 2-4 Online data of the dead line detection function

SIGNAL TITLE	DIMENSION	EXPLANATION
DeadLine condition	-	The requirements of "DeadLine condition" are fulfilled
LineOK condition	-	The requirements of "Live line condition" are fulfilled

3.2.7.2.2.5. Events

There are no events generated for this function block.

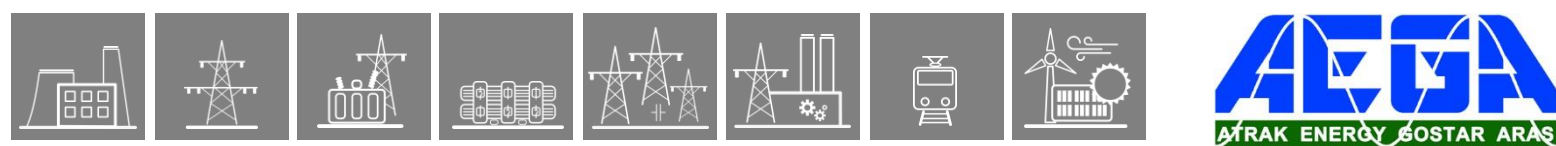
3.2.7.2.3. Technical Data

Table 2-5 Technical data of the dead line detection function

FUNCTION	VALUE	ACCURACY
Pick-up voltage		1%
Operation time	< 20 ms	
Reset ratio	0.95	

3.2.7.2.4. Notes for Testing

This function does not generate events on its own. To create them, another function block, the GGIO16 custom event function block must be utilized, see its description for more information.



3.2.8. Voltage transformer supervision function

The voltage transformer supervision function generates a signal to indicate an error in the voltage transformer secondary circuit. This signal can serve, for example, as a warning, indicating disturbances in the measurement, or it can disable the operation of the distance protection function if appropriate measured voltage signals are not available for a distance decision.

The voltage transformer supervision function is designed to detect faulty asymmetrical states of the voltage transformer circuit caused, for example, by a broken conductor in the secondary circuit.

(Another method for detecting voltage disturbances is the supervision of the auxiliary contacts of the miniature circuit breakers in the voltage transformer secondary circuits. This function is not described here.)

The user has to generate graphic equations for the application of the signal of this voltage transformer supervision function.

This function is interconnected with the “dead line detection function”. Although the dead line detection function is described fully in a separate document, the explanation necessary to understand the operation of the VT supervision function is repeated also in this document.

3.2.8.1. Mode of operation

3.2.8.1.1. “Dead line detection” (DLD) function - modes of operation

The voltage transformer supervision function is based on the “Dead line detection” (DLD) function, the task of which is to decide the Dead line/Live line state.

Criteria of “Dead line” state: all three phase voltages are below the preset voltage value AND all three currents are below the preset current value.

Criteria of “Live line” state: all three phase voltages are above the preset voltage value.

The dead line detection function is described in a separate document.

3.2.8.1.2. “Voltage transformer supervision” (VTS) function - modes of operation

The voltage transformer supervision function can be used in three different modes of application:

Zero sequence detection (for typical applications in systems with grounded neutral): “VT failure” signal is generated if the residual voltage ($3U_0$) is above the preset voltage value AND the residual current ($3I_0$) is below the preset current value.

Negative sequence detection (for typical applications in systems with isolated or resonant grounded (Petersen) neutral): “VT failure” signal is generated if the negative sequence voltage component (U_2) is above the preset voltage value AND the negative sequence current component (I_2) is below the preset current value.

Special application: “VT failure” signal is generated if the residual voltage ($3U_0$) is above the preset voltage value AND the residual current ($3I_0$) AND the negative sequence current component (I_2) are below the preset current values.



3.2.8.1.3. Activating the VTS function

The voltage transformer supervision function can be activated if “Live line” status is detected for at least 200 ms. This delay avoids mal-operation at line energizing if the poles of the circuit breaker make contact with a time delay. The function is set to be inactive if “Dead line” status is detected.

If the conditions specified by the selected mode of operation are fulfilled (for at least 4 milliseconds) then the voltage transformer supervision function is activated and the operation signal is generated. (When evaluating this time delay, the natural operating time of the applied Fourier algorithm must also be considered.)

NOTE: For the operation of the voltage transformer supervision function the “Dead line detection function” must be operable as well: it must be enabled by binary parameter setting, and its blocking signal may not be active.

3.2.8.1.4. Resetting the VTS function

If, in the active state, the conditions for operation are no longer fulfilled, the resetting of the function depends on the mode of operation of the primary circuit:

- If the “Live line” state is valid, then the function resets after approx. 200 ms of time delay. (When evaluating this time delay, the natural operating time of the applied Fourier algorithm must also be considered.)
- If the “Dead line” state is started and the “VTS Failure” signal has been continuous for at least 100 ms, then the “VTS failure” signal does not reset; it is generated continuously even when the line is in a disconnected state. Thus, the “VTS Failure” signal remains active at reclosing.
- If the “Dead line” state is started and the “VTS Failure” signal has not been continuous for at least 100 ms, then the “VTS failure” signal resets.

3.2.8.2. Structure of the voltage transformer supervision algorithm

Fig.1-1 shows the structure of the voltage transformer supervision (VTS) algorithm.

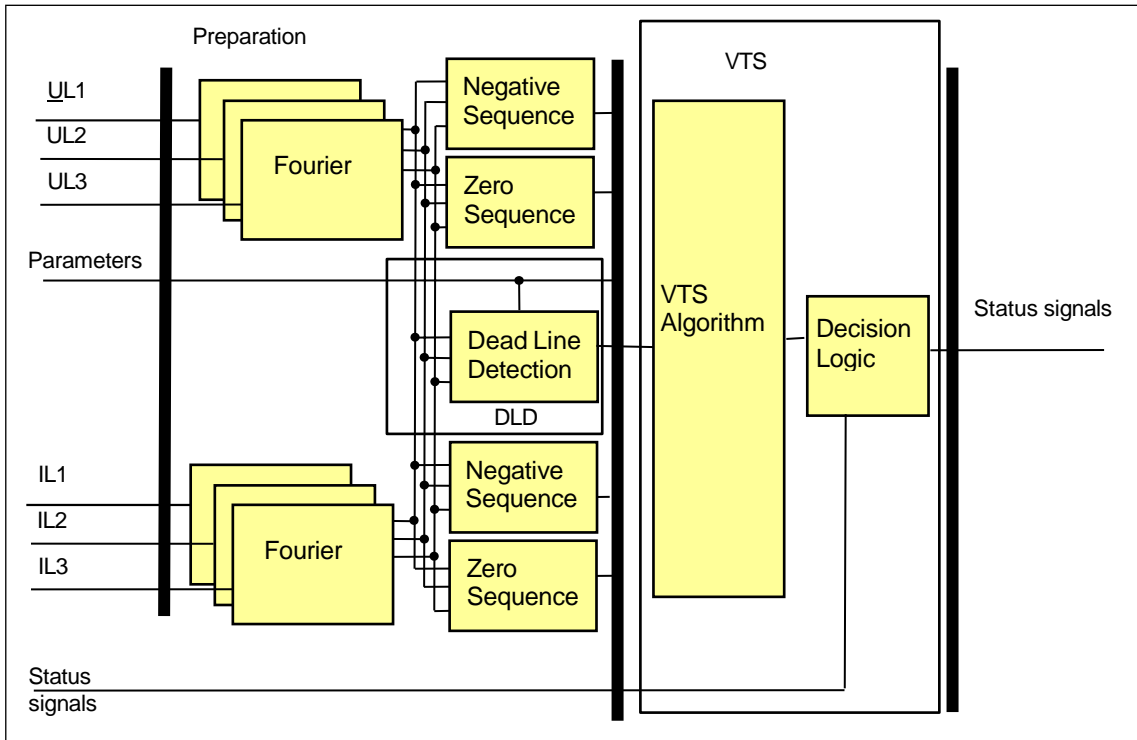


Figure 1-1 Structure of the voltage transformer supervision algorithm

For the preparation phase:

The **inputs** are

- the sampled values of the three phase voltages (UL1, UL2, UL3) and three phase currents (IL1, IL2, IL3),
- parameters.

The **outputs** are

- negative and zero sequence voltage and current components.
- signals indicating the “Live line” or “Dead line” condition.

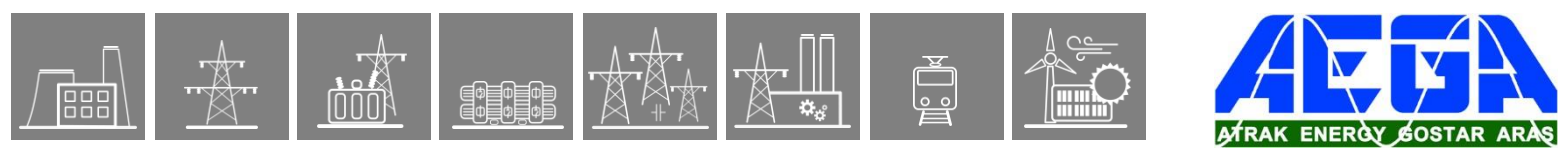
For the VTS function:

The **inputs** are

- negative and zero sequence voltage and current components.
- signals indicating the “Live line” or “Dead line” condition,
- parameters,
- status signals.

The **outputs** are

- the binary output status signal indicating a failure of the voltage transformer secondary circuit,
- signals indicating the “Live line” or “Dead line” condition.



The **software modules** of the voltage transformer supervision function and those of the preparation phase:

Fourier calculations

These modules calculate the basic Fourier current components of the phase voltages and currents. These modules belong to the preparation phase.

Negative sequence

This module calculates the basic Fourier current components of the negative sequence voltage and current, based on the Fourier components of the phase voltages and currents. This module belongs to the preparation phase.

Zero sequence

This module calculates the basic Fourier voltage and current components of the residual voltage ($3U_0$) and current ($3I_0$), based on the Fourier components of the phase voltages and currents. This module belongs to the preparation phase.

Dead Line Detection

This module decides if the "Line_OK condition" or the "DeadLine condition" is fulfilled. This module belongs to the preparation phase.

VTS algorithm

This module decides if the "VTS_FAIL" conditions are fulfilled according to the conditions specified for the selected mode.

Decision logic

The decision logic module combines the status signals to generate the trip command of the function.

The following description explains the details of the individual components.

3.2.8.3. The Fourier calculation (Fourier)

These modules calculate the basic Fourier current components of the phase voltages and phase currents individually. These modules belong to the preparation phase.

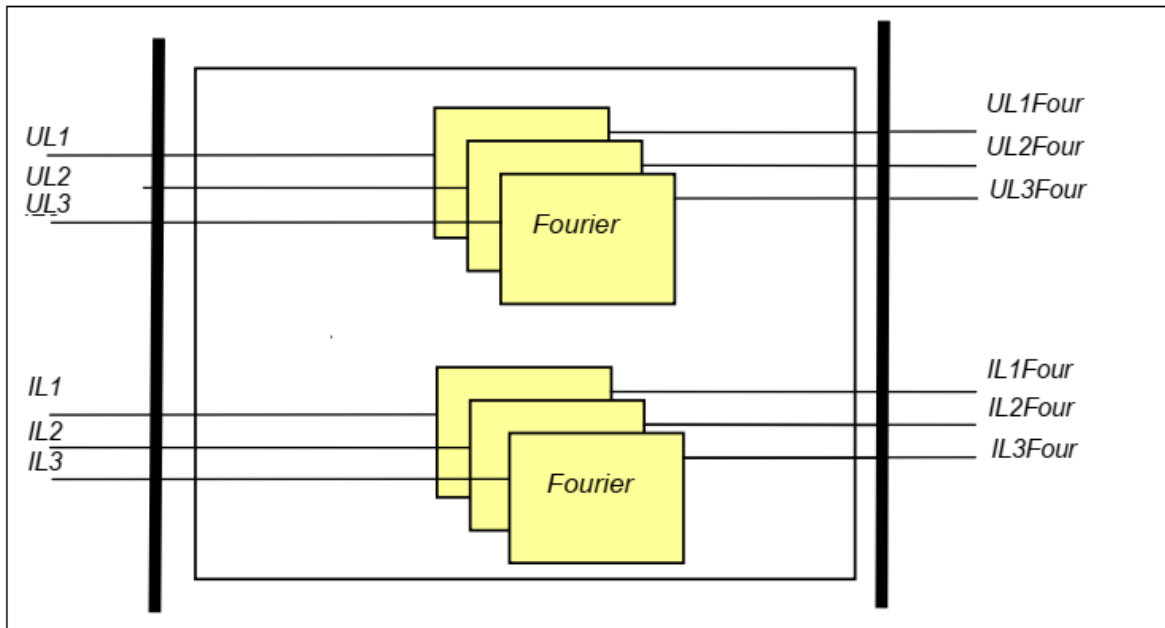


Figure 1-2 Principal scheme of the Fourier calculation

The **inputs** are the sampled values of:

- the three phase voltages (UL1, UL2, UL3)
- the three phase currents (IL1, IL2, IL3)

The **outputs** are

- the basic Fourier components of the analyzed voltages (UL1Four, UL2Four, UL3Four),
- the basic Fourier components of the analyzed currents (IL1Four, IL2Four, IL3Four).

3.2.8.4. The negative phase sequenc calculation (Negative sequence)

This module calculates the negative phase sequence components based on the Fourier components of the phase voltages and phase currents. These modules belong to the preparation phase.

The **inputs** are the basic Fourier components of the phase voltages and phase currents (UL1Four, UL2Four, UL3Four, IL1Four, IL2Four, IL3Four).

The **outputs** are

- the basic Fourier components of the negative sequence voltage component (UNegFour),
- the basic Fourier components of the negative sequence current component (INegFour).

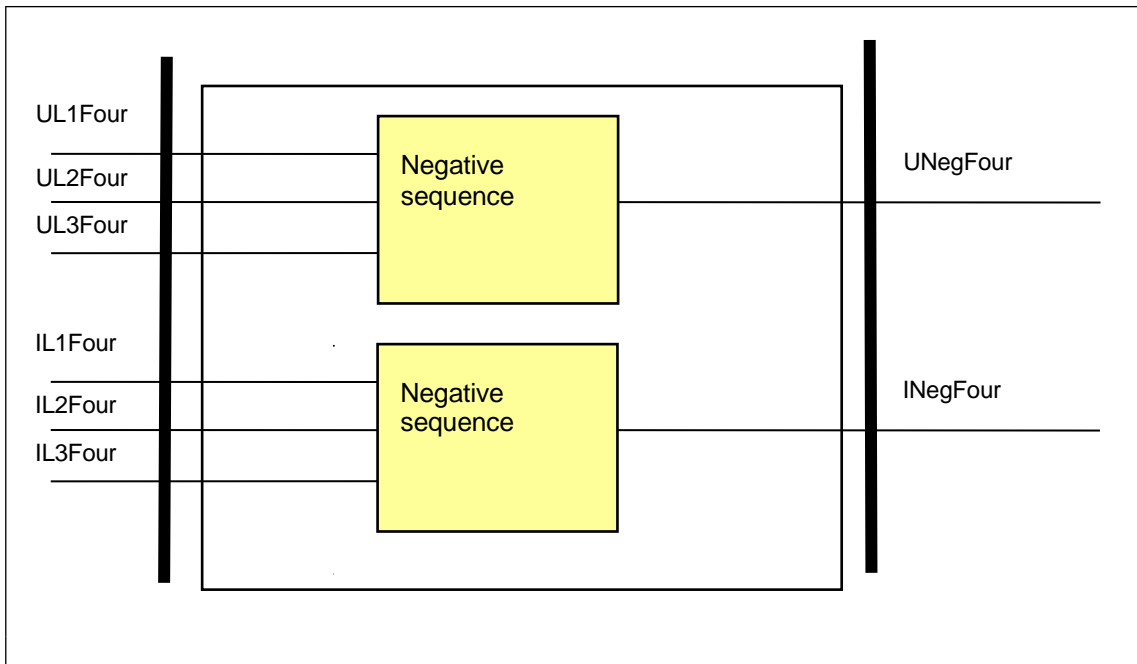


Figure 1-3 Schema of the negative sequence component calculation

3.2.8.5. The residual voltage and current calculation (Zero sequence)

This module calculates the residual voltage ($U_{ZerFour}$) and current ($I_{ZerFour}$) based on the Fourier components of the phase voltages and currents. These modules belong to the preparation phase.

The **inputs** are

- the basic Fourier components of the phase voltages ($UL1Four$, $UL2Four$, $UL3Four$),
- the basic Fourier components of the phase currents ($IL1Four$, $IL2Four$, $IL3Four$).

The **outputs** are

- the basic Fourier components of the residual voltage ($U_{ZerFour}$),
- the basic Fourier components of the residual current ($I_{ZerFour}$).

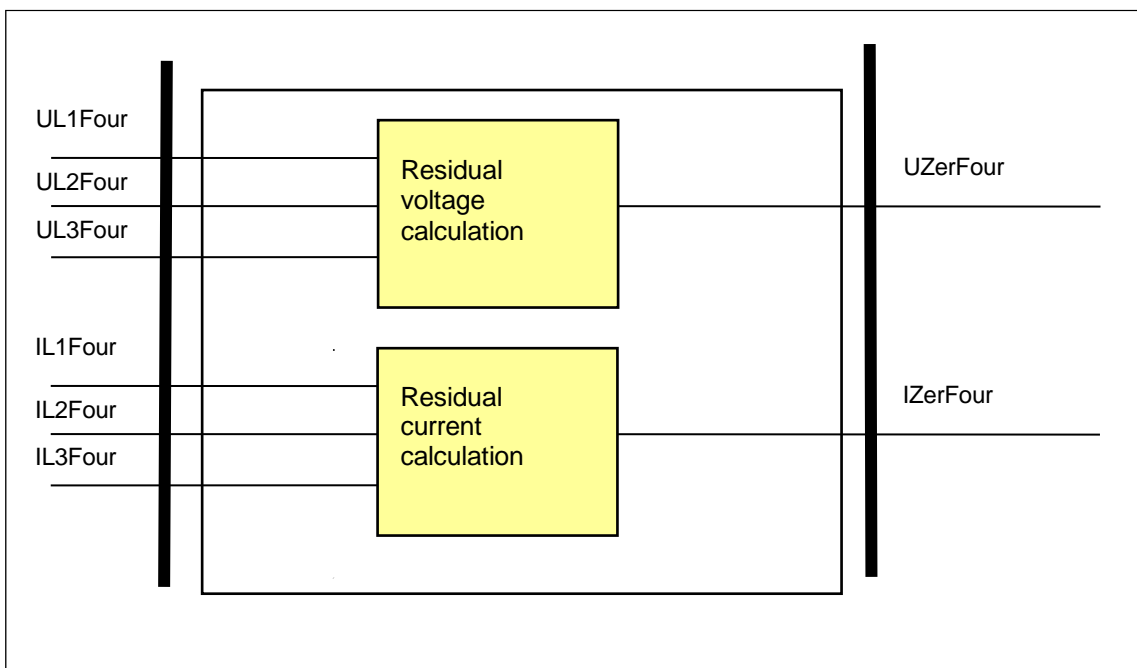


Figure 1-4 Schema of the residual voltage and current calculation

3.2.8.6. The dead line detection algorithm (Dead Line Detection)

This module decides if the “Line_OK condition” or the “DeadLine condition” is fulfilled. This module belongs to the preparation phase.

The **inputs** are

- the basic Fourier components of the phase voltages (UL1Four, UL2Four, UL3Four),
- the basic Fourier components of the phase currents (IL1Four, IL2Four, IL3Four),
- parameters.

The **outputs** are the internal status signals of the function. These indicate the “DeadLine condition state” or the “Line_OK conditions” state. This module belongs to the preparation phase.

Criteria of “Dead line” state: all three phase voltages are below the voltage setting value AND all three currents are below the current setting value.

Criteria of “Live line” state: all three phase voltages are above the voltage setting value.

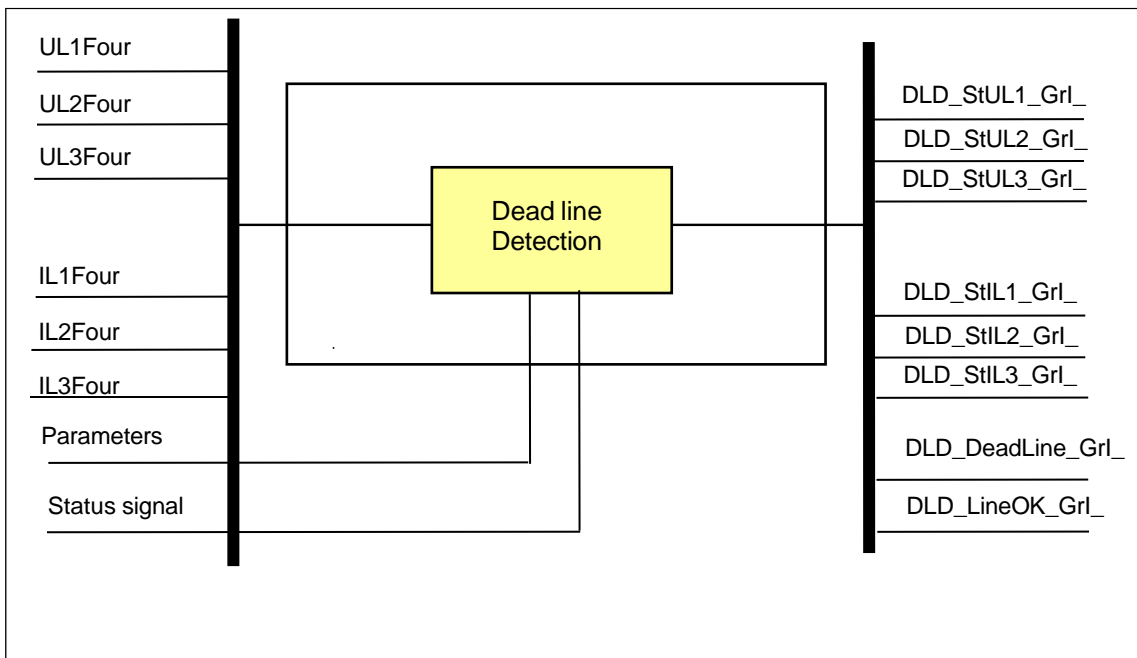


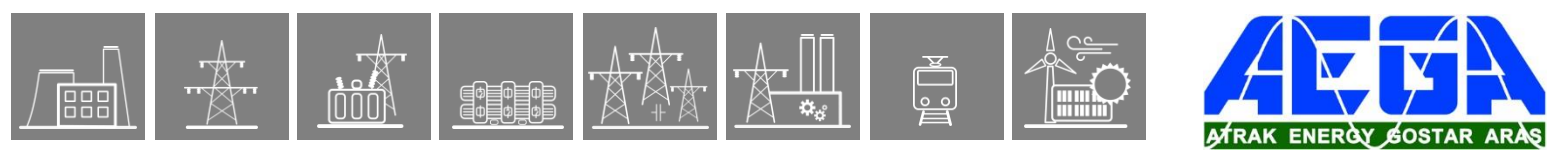
Figure 1-5 Principal scheme of the dead line detection function

The parameters of the dead line detection function are listed in Table 1-1.

Integer parameters

Parameter name	Title	Unit	Min	Max	Step	Default
Integer parameters of the dead line detection function						
DLD_ULev_IPar_	Min Operate Voltage	%	10	100	1	60
DLD_ILev_IPar_	Min Operate Current	%	2	100	1	10

Table 1-1 The integer parameters of the dead line detection function



Binary status signals

The dead line detection function has a binary input signal, which serves the purpose of disabling the function. **The conditions of disabling are defined by the user, applying the graphic equation editor.**

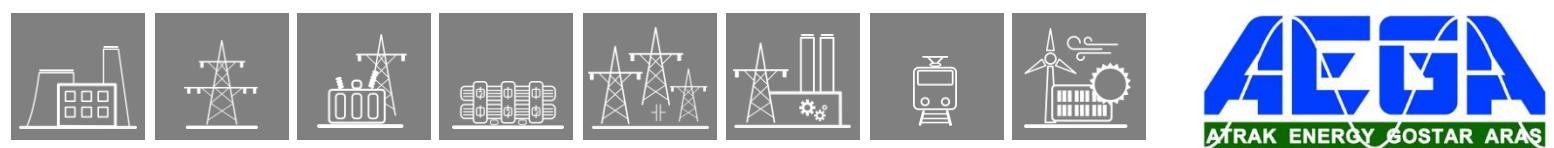
Binary status signal	Explanation
DLD_Blk_GrO_	Output status of a graphic equation defined by the user to disable the dead line detection function.

Table 1-2 The binary input signal of the dead line detection function

The **binary output status signals** of the dead line detection function are listed in [Table 1-3](#).

Binary output signals	Signal title	Explanation
DLD_StUL1_GrI_	Start UL1	The voltage of phase L1 is above the preset parameter value
DLD_StUL2_GrI_	Start UL2	The voltage of phase L2 is above the preset parameter value
DLD_StUL3_GrI_	Start UL3	The voltage of phase L3 is above the preset parameter value
DLD_StIL1_GrI_	Start IL1	The current of phase L1 is above the preset parameter value
DLD_StIL2_GrI_	Start IL2	The current of phase L2 is above the preset parameter value
DLD_StIL3_GrI_	Start IL3	The current of phase L3 is above the preset parameter value
DLD_DeadLine_GrI_	DeadLine condition	The criteria for dead line condition are fulfilled
DLD_LineOK_GrI_	LineOK condition	The criteria for line OK condition are fulfilled

Table 1-3 The binary output status signals of the dead line detection function



3.2.8.7. Voltage transformer supervision (VTS algorithm)

The voltage transformer supervision function can be used in three different modes of operation:

Zero sequence detection (for typical applications in systems with grounded neutral): “VT failure” signal is generated if the residual voltage ($3U_0$) is above the preset voltage value AND the residual current ($3I_0$) is below the preset current value.

Negative sequence detection (for typical applications in systems with isolated or resonant grounded (Petersen) neutral): “VT failure” signal is generated if the negative sequence voltage component (U_2) is above the preset voltage value AND the negative sequence current component (I_2) is below the preset current value.

Special application: “VT failure” signal is generated if the residual voltage ($3U_0$) is above the preset voltage value AND the residual current ($3I_0$) AND the negative sequence current component (I_2) are below the preset current values.

The task of this module is to detect if the conditions of the “VTS FAIL” state are fulfilled, according to the conditions defined for the selected mode of operation.

The **inputs** are

- the basic Fourier components of the residual voltage ($UZerFour$) and current ($IZerFour$),
- the negative sequence components of the voltage ($UNegFour$) and current ($INegFour$),
- binary signals from the dead line detection function,
- parameters.

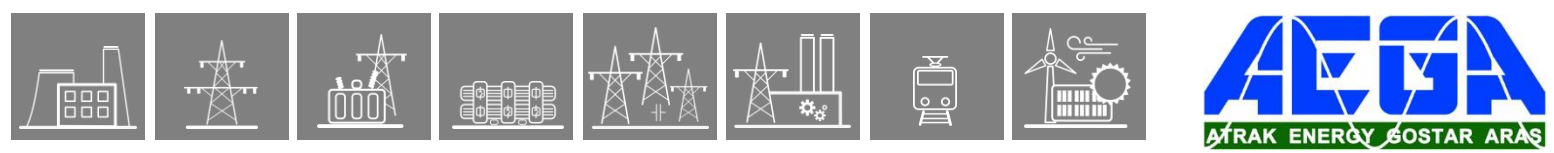
NOTE: For the operation of the voltage transformer supervision function the “Dead line detection function” must be operable as well: it must be enabled by binary parameter setting, and its blocking signal may not be active.

The **output** is the internal status signal of the function. This internal signal indicates if the “VTS_FAIL_int” condition is fulfilled.

Binary output signals	Signal title	Explanation
VTS_FAIL_int	VTS_FAIL_int	Internal status signal indicating the fulfillment of conditions. This status signal is not available for the users.

Table 1-4 The binary internal status signals of the voltage transformer supervision algorithm

The parameters of the voltage transformer supervision algorithm are listed in [Table 1-5](#) and in [Table 1-6](#).



Enumerated parameter

Parameter name	Title	Selection range	Default
Parameter for type selection			
VTS_Oper_EPar_	Operation	Off, Zero sequence, Neg sequence, Special	Zero sequence

Table 1-5 The enumerated parameters of the voltage transformer supervision function

Integer parameters

Parameter name	Title	Unit	Min	Max	Step	Default
Starting voltage and current parameter for residual and negative sequence detection:						
VTS_Uo_IPar_	Start URes	%	5	50	1	30
VTS_Io_IPar_	Start IRes	%	10	50	1	10
VTS_Uneg_IPar_	Start UNeg	%	5	50	1	10
VTS_Ineg_IPar_	Start INeg	%	10	50	1	10

Table 1-6 The integer parameters of the voltage transformer supervision algorithm

3.2.8.8. The decision logic (Decision logic)

The decision logic module combines the status signals, binary and enumerated parameters to generate the trip command of the function.

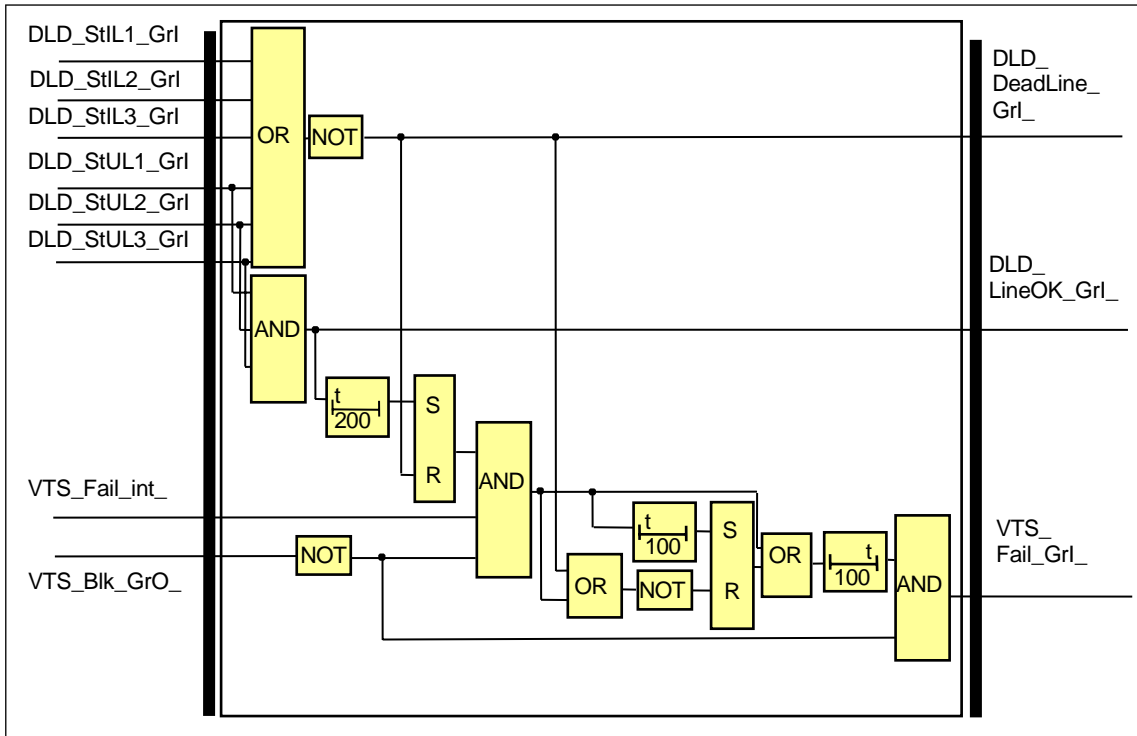


Figure 1-6 The logic scheme of the decision logic

Binary input signals	Signal title	Explanation
DLD_StUL1_Grl_	Start UL1	The voltage of phase L1 is above the preset parameter value
DLD_StUL2_Grl_	Start UL2	The voltage of phase L2 is above the preset parameter value
DLD_StUL3_Grl_	Start UL3	The voltage of phase L3 is above the preset parameter value
DLD_StIL1_Grl_	Start IL1	The current of phase L1 is above the preset parameter value
DLD_StIL2_Grl_	Start IL2	The current of phase L2 is above the preset parameter value
DLD_StIL3_Grl_	Start IL3	The current of phase L3 is above the preset parameter value
VTS_FAIL_int	VTS_FAIL_int	Internal status signal indicating the fulfillment of conditions. This status signal is not available for the users.

Table 1-7 The binary input signals of the decision logic

Binary status signals

The voltage transformer supervision function has a binary input signal, which serves the purpose of disabling the function. **The conditions of disabling are defined by the user, applying the graphic equation editor.**

Binary status signal	Explanation
VTS_BlK_GrO_	Output status of a graphic equation defined by the user to disable the voltage transformer supervision function.

Table 1-8 The binary input signal of the decision logic

Binary output signals	Signal title	Explanation
DLD_DeadLine_Grl_	DeadLine condition	The requirements of “DeadLine condition” are fulfilled
DLD_LineOK_Grl_	LineOK condition	The requirements of “LineOK condition” are fulfilled
VTS_Fail_Grl	VT Failure	Failure status signal of the VTS function

Table 1-9 The binary output status signals of the decision logic

3.2.8.9. Technical summary

3.2.8.9.1. Technical data

Function	Value	Accuracy
Pick-up voltage I ₀ =0A I ₂ =0A		<1% <1%
Operation time	<20ms	
Reset ratio	0.95	

Table 1-10 Technical data of the voltage transformer supervision function

3.2.8.9.2. The parameters

Integer parameters

Parameter name	Title	Unit	Min	Max	Step	Default
Integer parameters of the dead line detection function						
DLD_ULev_IPar_	Min Operate Voltage	%	10	100	1	60
DLD_ILev_IPar_	Min Operate Current	%	2	100	1	10
Starting voltage and current parameter for residual and negative sequence detection:						
VTS_Uo_IPar_	Start URes	%	5	50	1	30
VTS_Io_IPar_	Start IRes	%	10	50	1	10
VTS_Uneg_IPar_	Start UNeg	%	5	50	1	10
VTS_Ineg_IPar_	Start INeg	%	10	50	1	10

Table 1-11 The integer parameters of the voltage transformer supervision function

Enumerated parameter

Parameter name	Title	Selection range	Default
Parameter for type selection			
VTS_Oper_EPar_	Operation	Off, Zero sequence, Neg. sequence, Special	Zero sequence

Table 1-12 The enumerated parameter of the voltage transformer supervision function

3.2.8.9.3. The binary input status signals

Binary status signals

The voltage transformer supervision function has a binary input signal, which serves the purpose of disabling the function. **The conditions of disabling are defined by the user, applying the graphic equation editor.**

Binary status signal	Explanation
VTS_BlK_GrO_	Output status of a graphic equation defined by the user to disable the voltage transformer supervision function.

Table 1-13 The binary input signal of the voltage transformer supervision function

3.2.8.9.4. Binary output status signals

The **binary output status signals** of the voltage transformer supervision function are listed in Table 1-14.

Binary output signals	Signal title	Explanation
DLD function		
DLD_StUL1_Grl_	Start UL1	The voltage of phase L1 is above the preset parameter value, signal of the DLD function
DLD_StUL2_Grl_	Start UL2	The voltage of phase L2 is above the preset parameter value, signal of the DLD function
DLD_StUL3_Grl_	Start UL3	The voltage of phase L3 is above the preset parameter value, signal of the DLD function
DLD_StIL1_Grl_	Start IL1	The current of phase L1 is above the preset parameter value, signal of the DLD function
DLD_StIL2_Grl_	Start IL2	The current of phase L2 is above the preset parameter value, signal of the DLD function
DLD_StIL3_Grl_	Start IL3	The current of phase L3 is above the preset parameter value, signal of the DLD function
DLD_DeadLine_Grl_	DeadLine condition	The requirements of "DeadLine condition" are fulfilled, signal of the DLD function
DLD_LineOK_Grl_	LineOK condition	The requirements of "LineOK condition" are fulfilled, signal of the DLD function
VTS function		
VTS_Fail_Grl	VT Failure	Failure status signal of the VTS function

Table 1-14 The binary output signals of the voltage transformer supervision function

3.2.8.9.5. The function block

The function block of the dead line detection and voltage transformer supervision function is shown in Figure 1-7. This block shows all binary input and output status signals that are applicable in the graphic equation editor.

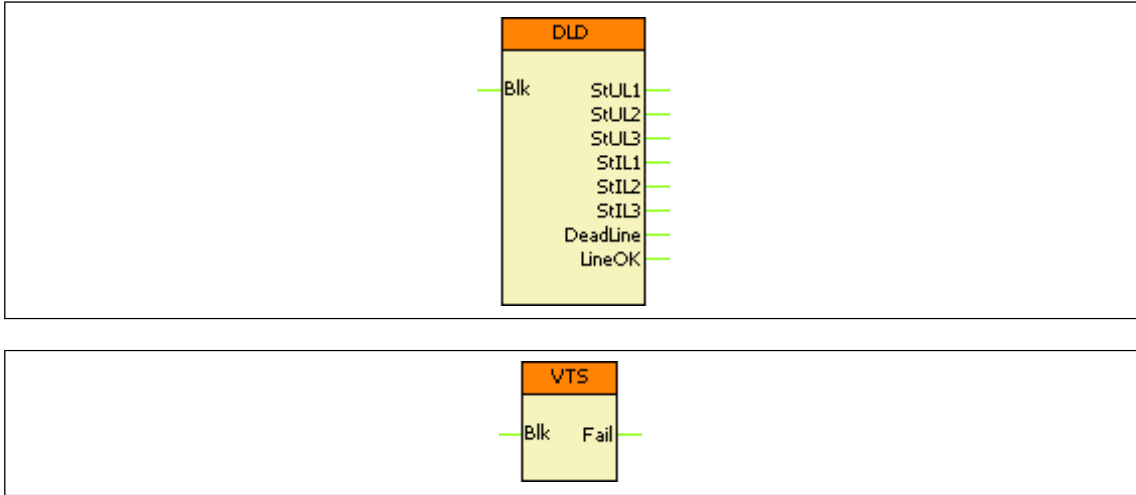


Figure 1-7 The function block of the dead line detection and voltage transformer supervision function

3.2.9. Earth-fault phase selection function

The protection functions, based on residual current and/or voltage measurement can detect the earth-fault on the network, they can however not select the faulty phase. The simple function, described in this document measures the three phase voltages. After starting by any kind of residual protection functions, this software module evaluates the phase voltages. The one below the threshold level indicates the faulty phase.

3.2.9.1. Operation of the earth-fault phase selection function

The operation of the function is started by any kind of residual protection functions. Usually the trip command, generated by this functions is configured to the start input (EF_Trip). If it is not configured in the factory, the user can define it or can edit it, using the graphic logic editor.

The operation of the function can be blocked by an active signal connected to the dedicated binary input (VTS). Usually the error signal of the voltage transformer supervision function is assigned to this input. If it is not configured in the factory, the user can define it, using the graphic logic editor.

The function gets the calculated Fourier basic harmonics of the three phase voltages (UL1Four, UL2Four, UL3Four). The Fourier calculation is not part of this function, it belongs to the preparatory phase, and these calculated values may be applied by other functions configured in the device.

There are three embedded, simplified undervoltage functions (TUV27 L1, TUV27 L2 and TUV27 L3), which compare the Fourier magnitude values with the voltage parameter (Start Voltage). If any of the voltages is below this threshold value, the phase-selective outputs indicate the faulty phase.

3.2.9.2. Structure of the earth-fault phase selection algorithm

Figure 1-1 shows the structure of the phase selection algorithm.

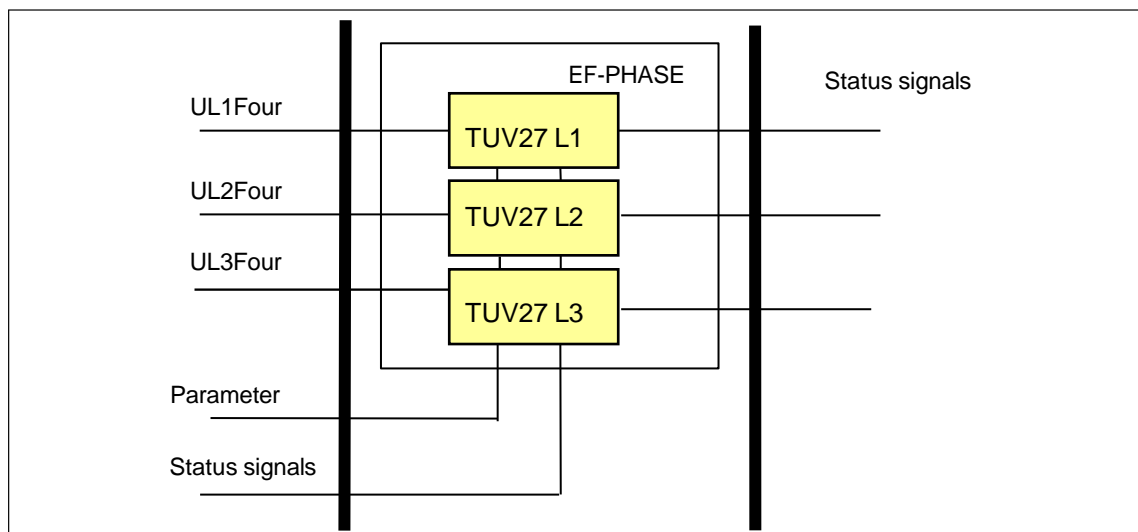
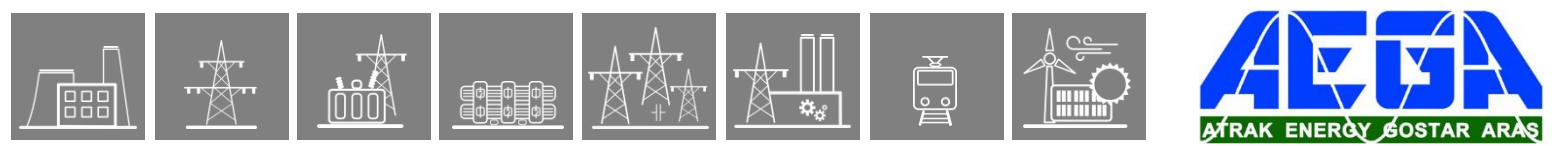


Figure 1-1 Structure of the earth-fault phase selection algorithm



The **inputs** are

- the RMS value of the fundamental Fourier component of the phase voltages,
- parameters,
- status signals.

The **outputs** are

- the binary output status signals.

3.2.9.3. Parameter of the earth-fault phase selection function

The function has a single parameter to define the starting voltage in %, below which the phase is evaluated as the faulty phase.

Integer parameter

Parameter name	Title	Unit	Min	Max	Step	Default
Starting voltage parameter:						
TUV27_StVol_IPar_	Start Voltage	%	5	57	1	45

Table 1-1 The integer parameters of the earth-fault phase selection function

Note: the function is a simplified undervoltage function. All other parameters are hidden, the user cannot modify the values of these parameters.

3.2.9.4. Output status signals of the earth-fault phase selection function

The **binary output status signals** of the earth-fault phase selection function are listed in Table 1-2.

Binary output signals	Signal title	Explanation
TUV27_StL1_Grl_	Start L1	Starting of the function in phase L1
TUV27_StL2_Grl_	Start L2	Starting of the function in phase L2
TUV27_StL3_Grl_	Start L3	Starting of the function in phase L3

Table 1-2 The binary output status signals of the earth-fault phase selection function

3.2.9.5. Input status signals of the earth-fault phase selection function

Binary input signal

The residual overcurrent protection function has a binary input signal, which serves the purpose of disabling the function. **The conditions of disabling are defined by the user, applying the graphic equation editor.**

Binary output signals	Signal title	Explanation
TUV27_EFTrip_GrO_	EFTrip	Starting of the function, usually by the TRIP command of residual functions
TUV27_VTS_GrO_	VTS	Blocking by voltage transformer supervision

Table 1-3 The binary input signal of the earth-fault phase selection function

3.2.9.6. The function block of the earth-fault phase selection function

The function block of the earth-fault phase selection function is shown in Figure 1-2. This block shows all binary input and output status signals that are applicable in the graphic logic editor.

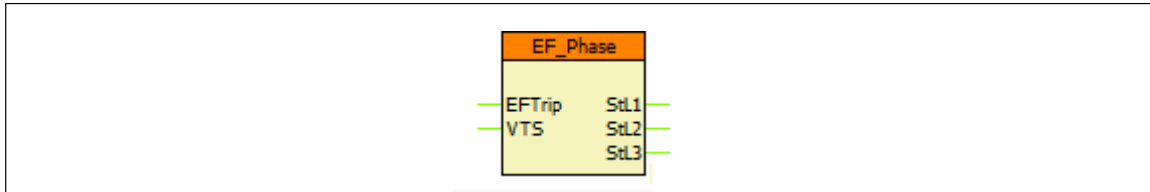
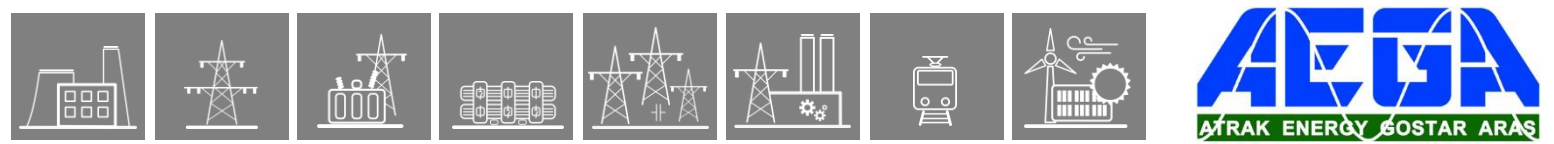


Figure 1-2 The function block of the earth-fault phase selection function

3.2.9.7. Technical data

Function	Value	Accuracy
Pick-up starting accuracy		< ± 0,5 %
Blocking voltage	0	
Reset ratio	1.05	
Reset time		
U> → Un	50 ms	
U> → 0	40 ms	
Operate time accuracy	100 ms	< ± 20 ms

Table 1-4 Technical data of the undervoltage protection function



The **software modules** of the current unbalance function:

Fourier calculations

These modules calculate the RMS values of the basic Fourier current components of the phase currents individually (not part of the VCB60 function).

Analogue signal processing

This module processes the RMS values of the Fourier components of the phase currents to prepare the signals for the decision.

Decision logic

The decision logic module combines the status signals to generate the starting signal and the trip command of the function.

The following description explains the details of the individual components.

3.2.10.1.3. The Fourier calculation (Fourier)

These modules calculate the RMS values of the fundamental Fourier components of the phase currents individually. They are not part of the VCB60 function; they belong to the preparatory phase.

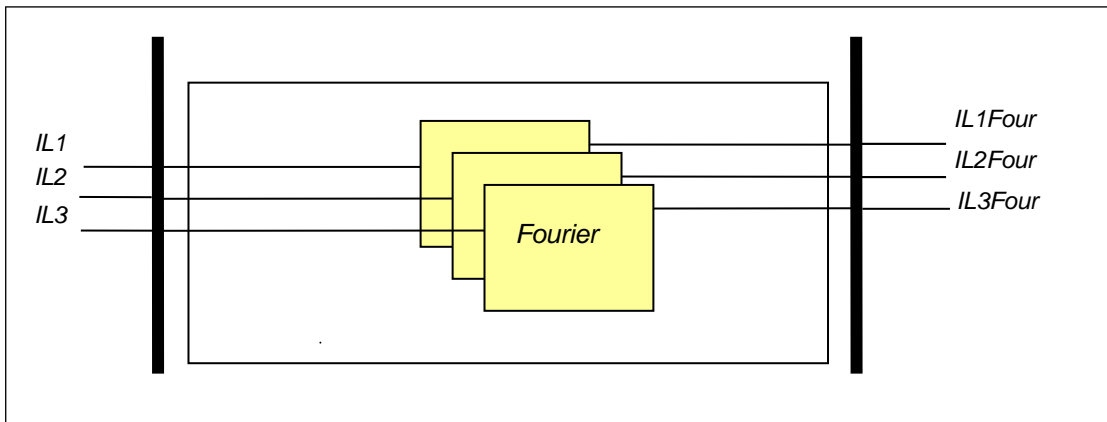


Figure 1-2 Principal scheme of the Fourier calculation

The **inputs** are the sampled values of the three phase currents (IL1, IL2, IL3)

The **outputs** are the RMS values of the fundamental Fourier components of the phase currents (IL1Four, IL2Four, IL3Four).

3.2.10.1.4. The Analogue signal processing

This module processes the Fourier components of the phase currents to prepare the signals for the decision.

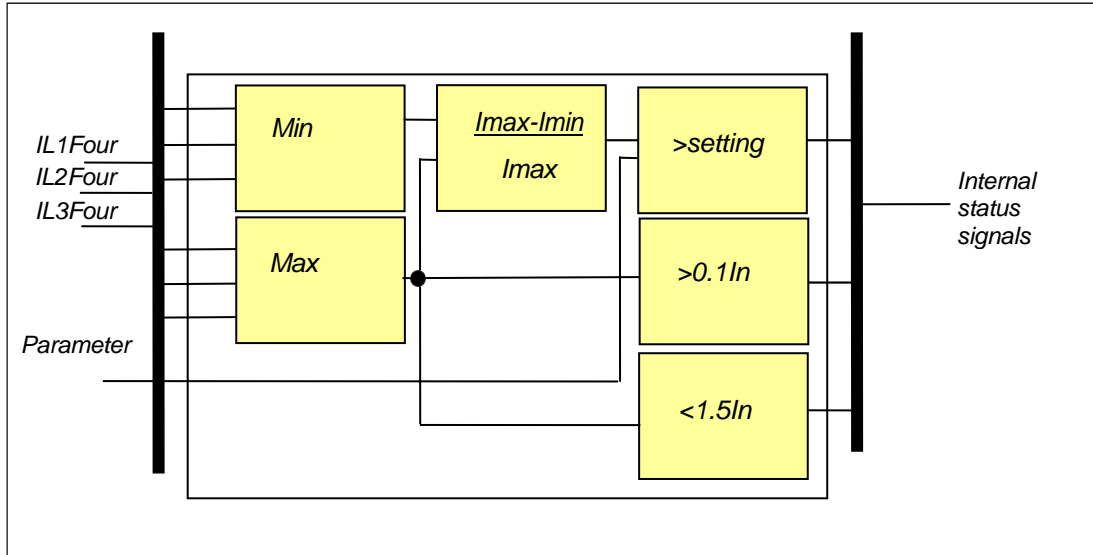


Figure 1-3 Principal scheme of the analogue signal processing

The **inputs** are the fundamental Fourier components of the analyzed currents (IL1Four, IL2Four, IL3Four)

The **outputs** are internal binary signals:

- $\Delta I >$ The difference between the maximum and minimum of the RMS values of the fundamental Fourier components of the phase currents as a percentage of the maximum of these values is above the limit defined by the preset parameter "Start current";
- $I_{max} > 0.1 I_n$ The maximum of the RMS values of the fundamental Fourier components of the phase currents is sufficient for evaluation;
- $I_{max} < 1.5 I_n$ The maximum of the RMS values of the fundamental Fourier components of the phase currents is not considered as a fault current.

3.2.10.1.5. The decision logic (Decision logic)

The decision logic module combines the status signals, binary and enumerated parameters to generate the trip command of the function.

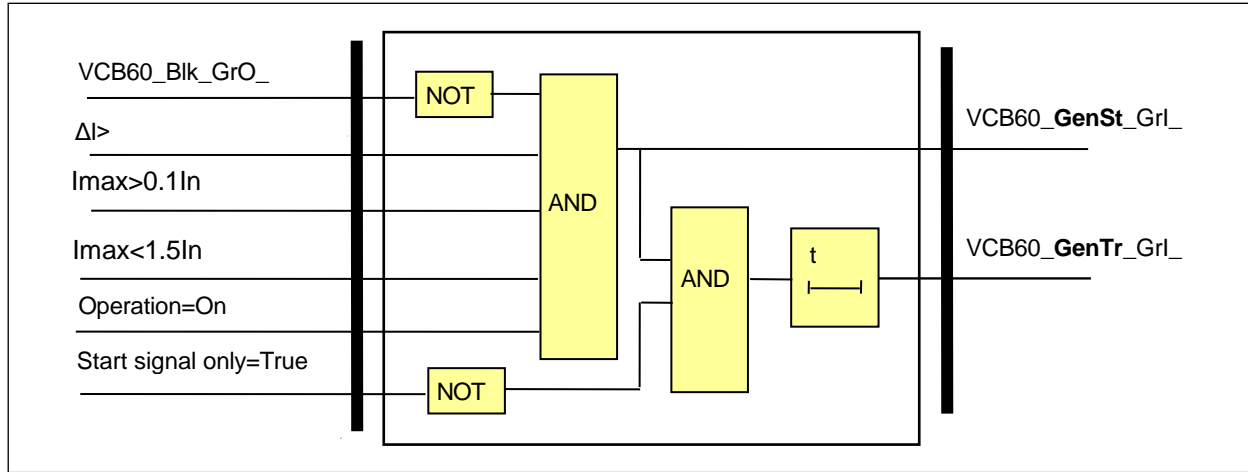


Figure 1-4 The logic scheme of the current unbalance function

The **inputs** are internal binary signals:

- $\Delta I >$ the difference between the maximum and minimum of the RMS values of the fundamental Fourier components of the phase currents as a percentage of the maximum of these values is above the limit defined by parameter setting "Start Current Diff";
- $I_{max} > 0.1 I_n$ the maximum of the RMS values of the fundamental Fourier components of the phase currents is sufficient for evaluation;
- $I_{max} < 1.5 I_n$ the maximum of the RMS values of the fundamental Fourier components of the phase currents is not considered as a fault current.

3.2.10.2. Current unbalance protection function overview

The graphic appearance of the function block of the current unbalance protection function is shown below. The block shows all binary input and output status signals which are applicable in the graphic equation editor.

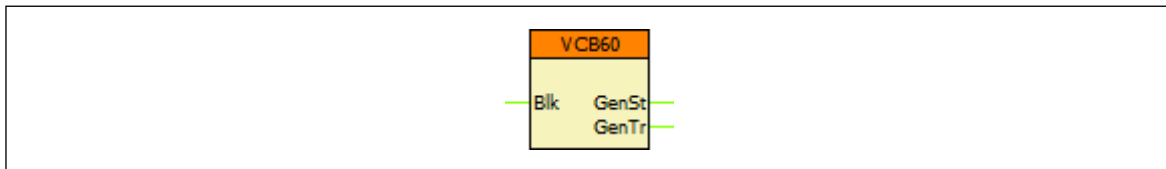
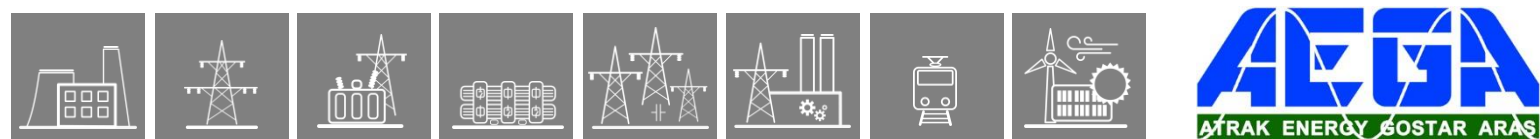


Figure 2-1 Graphic appearance of the function block of the current unbalance protection function



3.2.10.2.1. Settings

3.2.10.2.1.1. Parameters

The available parameters are listed below in order of their appearance in the *parameters* menu. If the setting range of a parameter should be extended, contact Protecta Support.

Table 2-1 Parameters of the current unbalance protection function

TITLE	DIM	RANGE	STEP	DEFAULT	EXPLANATION
Operation	-	Off, On	-	Off	Enabling the function
Start Signal Only	-	FALSE, TRUE	-	FALSE	When checked, the function provides start signal only, and no trip signal.
Start Current	%	10 – 90	1	50	Phase difference current setting
Time Delay	msec	100 – 60000	1	1000	Time delay (including the algorithm time, see Chapter 2.4 for more explanation)

3.2.10.2.2. Function I/O

This section describes briefly the analogue and digital inputs and outputs of the function block.

3.2.10.2.2.1. Analogue inputs

The function uses the sampled values of a current input. This is defined in the configuration.

3.2.10.2.2.2. Binary input signals (graphed output statuses)

The conditions of the binary inputs are defined by the user, applying the graphic equation editor (*Logic Editor*). Parts written in **bold** are seen on the left side function block in the Logic editor.

Table 2-2 The binary input signal of the current unbalance protection function

BINARY OUTPUT SIGNAL	EXPLANATION
VCB60_ Blk _GrO_	Blocking input of the function

3.2.10.2.2.3. Binary output signals (graphed input statuses)

These signals can be used in EuroCAP to assign to LED, user LCD object etc. Parts written in **bold** are seen on the right side of the function block in the *Logic Editor*.

Table 2-3 The binary output signals of the current unbalance protection function

BINARY OUTPUT SIGNAL	SIGNAL TITLE	EXPLANATION
VCB60_ GenSt _Grl_	General Start	General start signal of the function
VCB60_ GenTr _Grl_	General Trip	General trip command of the function

3.2.10.2.2.4. Online data

Visible values on the *online data* page.

Table 2-4 Online displayed data of the current unbalance protection function

SIGNAL TITLE	DIMENSION	EXPLANATION
General Start	-	General start signal of the function
General Trip	-	General trip command of the function



3.2.10.2.2.5. Events

The following events are generated in the event list, as well as sent to the SCADA according to the configuration.

Table 2-5 Generated events of the current unbalance protection function

EVENT	VALUE	EXPLANATION
General Start	off, on	General start of the function
General Trip	off, on	General trip command of the function

3.2.10.2.3. Technical data

Table 2-6 Technical data of the current unbalance protection function

FUNCTION	VALUE	ACCURACY
Pick-up starting accuracy at In		< 2 %
Reset ratio	0,95	
Operate time	70 ms	

3.2.10.2.4. Notes for testing

Normally in the EuroProt+ devices the trip contacts are assigned to the Trip Logic function block, and not to the protection function blocks. Because of this, the testing personnel must make sure that the Trip Logic is switched on ('Operation' parameter is set to other than 'Off') before starting the tests, otherwise there will be no physical trip on the relay.

Note that the time delay parameter incorporates the algorithm time as well, so the time delay *does not mean the time difference between the appearance of the start and trip signals* of the function. In other words: it is not the delay between the detection of the fault and the trip that follows it. This should be taken into consideration when checking the disturbance records.

Instead the time delay parameter defines the elapsed time from the appearance of the faulty state to the trip. Because of this, while testing, the delay measurement should start *from the moment of the fault injection* until the trip signal.



<i>Synchrocheck function (SYN25)</i>	
Voltage Diff	Voltage different value
Frequency Diff	Frequency different value
Angle Diff	Angle different value
<i>Line measurement (MXU_L) (here the displayed information means primary value)</i>	
Active Power – P	Three-phase active power
Reactive Power – Q	Three-phase reactive power
Apparent Power – S	Three-phase power based on true RMS voltage and current measurement
Current L1	True RMS value of the current in phase L1
Current L2	True RMS value of the current in phase L2
Current L3	True RMS value of the current in phase L3
Voltage L1	True RMS value of the voltage in phase L1
Voltage L2	True RMS value of the voltage in phase L2
Voltage L3	True RMS value of the voltage in phase L3
Voltage L12	True RMS value of the voltage between phases L1 L2
Voltage L23	True RMS value of the voltage between phases L2 L3
Voltage L31	True RMS value of the voltage between phases L3 L1
Frequency	Frequency
<i>Metering (MTR)</i>	
Forward MWh	Forward MWh
Backward MWh	Backward MWh
Forward MVarh	Forward MVarh
Backward MVarh	Backward MVarh
<i>Line thermal protection (TTR49L)</i>	
Calc. Temperature	Calculated line temperature

* *The reference angle is the phase angle of “Voltage Ch - U1”*

Table 3-146 Measured analog values

3.3.1. Current input function

3.3.1.1. Application of the current input function

The application of the current inputs depends on the correct connection of the hardware terminals and also on the correct parameter setting for the CT4 function block. This guide describes examples, based on which any other combinations can be realized.

In the applications of the current transformer hardware module, the first three current inputs (terminals 1-2, 3-4, 5-6) receive the three phase currents (IL1, IL2, IL3), the fourth input (terminals 7-8) is reserved for zero sequence current, for the zero sequence current of the parallel line or for any additional currents. Accordingly, the first three inputs have common parameters while the fourth current input needs individual setting.

The CT4 function block is an independent module in the sense that:

- It has independent parameters to be set, associated to the current inputs,
- It delivers the sampled current values for protection, measurement function blocks and for disturbance recording and for on-line displaying,
- It provides parameters for the subsequent functions blocks for scaling the measured currents.
- It performs the basic calculations
 - Fourier basic harmonic magnitude and angle,
 - True RMS value.

3.3.1.1.1. Parameter setting

3.3.1.1.1.1. Summary of the parameters

The parameters of the current input function are explained in the following tables.

Enumerated parameters

Parameter name	Title	Selection range	Default
Rated secondary current of the first three input channels. 1A or 5A is selected by parameter setting, no hardware modification is needed.			
CT4_Ch13Nom_EPar_	Rated Secondary I1-3	1A,5A	1A
Rated secondary current of the fourth input channel. 1A or 5A (0.2A, 1A) is selected by parameter setting, no hardware modification is needed.			
CT4_Ch4Nom_EPar_	Rated Secondary I4	1A,5A (0.2A, 1A)	1A
Definition of the positive direction of the first three currents, given by location of the secondary star connection point			
CT4_Ch13Dir_EPar_	Starpoint I1-3	Line,Bus	Line
Definition of the positive direction of the fourth current, given as normal or inverted			
CT4_Ch4Dir_EPar_	Direction I4	Normal,Inverted	Normal

Table 1-1 The enumerated parameters of the current input function

Floating point parameters

Parameter name	Title	Dim.	Min	Max	Default
Rated primary current of channel1-3					
CT4_PriI13_FPar_	Rated Primary I1-3	A	100	4000	1000
Rated primary current of channel4					
CT4_PriI4_FPar_	Rated Primary I4	A	100	4000	1000

Table 1-2 The floating point parameters of the current input function



NOTE: The rated primary current of the channels is not needed for the current input function block itself. These values are passed on to the subsequent function blocks.

3.3.1.1.1.2. Setting the rated secondary current

The scaling of the currents (even hardware scaling) depends on parameter setting.

Rated Secondary I1-3 and Rated Secondary I4

Select the rated secondary current according to the nominal data of the main current transformer. The options to choose from are 1A or 5A (in special applications, 0.2A or 1A). This parameter influences the internal number format and, naturally, accuracy. (A small current is processed with finer resolution if 1A is selected.) The first parameter is common for the first three channels and the second one is applied for the fourth channel.

NOTE: when selecting from the available choice, no hardware modification is needed.

3.3.1.1.1.3. Setting the positive direction of the currents

The positive direction of the currents influences the correct operation of directionality (e.g. distance protection, directional overcurrent protection, power calculation, etc.) If needed, the currents can be inverted by setting parameters. This is equivalent to interchanging the two wires, connecting the currents to the inputs.

Starpoint I1-3 and Direction I4.

Starpoint I1-3 applies to each of the channels IL1, IL2 and IL3. The example of Figure 1-1 below shows the connection and the correct parameter setting for Starpoint I1-3=Line. The current L1 is connected to terminal No1 of the CT input, the current L2 to No3, and the current L3 to No5. The common point of the CT inputs is connected No2-No4-No6. This point leads the residual current to the input No7. The connection point No8 is connected with the fourth wire to the star-point of the CTs. This application of the fourth channel is the "Normal" direction.

If the currents are connected not this way then change the parameter values accordingly.

3.3.1.1.1.4. Setting the rated primary current

These parameters are needed only to display the currents (and powers) in primary scale. The protection function apply secondary values, these parameters are not needed for protection functions.

Rated Primary I1-3 and Rated Primary I-4

Select the rated primary currents according to the nominal data of the main current transformers. The first parameter (Rated Primary I1-3) is common for the first three channels and the second (Rated Primary I-4) is for the fourth channel.

3.3.1.1.2. Application of the on-line measurements in commissioning

The **measured values** of the current input function block are listed and explained in the Table below.

Measured value	Dim.	Explanation
Current Ch - I1	A(secondary)	Fourier basic component of the current in channel IL1
Angle Ch - I1	degree	Vector position of the current in channel IL1
Current Ch - I2	A(secondary)	Fourier basic component of the current in channel IL2
Angle Ch - I2	degree	Vector position of the current in channel IL2
Current Ch - I3	A(secondary)	Fourier basic component of the current in channel IL3
Angle Ch - I3	degree	Vector position of the current in channel IL3
Current Ch - I4	A(secondary)	Fourier basic component of the current in channel IL4
Angle Ch - I4	degree	Vector position of the current in channel IL4

Table 1-3 The measured analogue values of the current input function

NOTE1: The scaling of the Fourier basic component is such that if pure sinusoid 1A RMS of the rated frequency is injected, the displayed value is 1A.

NOTE2: The reference of the vector position depends on the device configuration. If a voltage input module is included, then the reference vector (vector with angle 0 degree) is the vector calculated for the first voltage input channel of the first applied voltage input module. If no voltage input module is configured, then the reference vector (vector with angle 0 degree) is the vector calculated for the first current input channel of the first applied current input module. (The first input module is the one, located closer to the CPU module.)

3.3.1.1.3. Examples

When the vector position of the currents are relevant (e.g. distance protection, directional overcurrent protection, power measurement, etc.) then mind the correct connection of the instrument transformers and the related parameter setting. If the wires of the secondary cables are interchanged then change also the related parameter values.

3.3.1.1.3.1. Residual current measurement

Figure 1-1 shows a connection example with 3I₀ measurement. The star-point of the CT-s is towards the line, L1 is connected to terminal No1 of the CT input, L2 to No3, L3 to No5. The common point of the CT inputs is the connected No2-No4-No6. This point leads the residual current to the input No7. The connection point No8 is connected with the fourth wire to the star-point of the CTs.

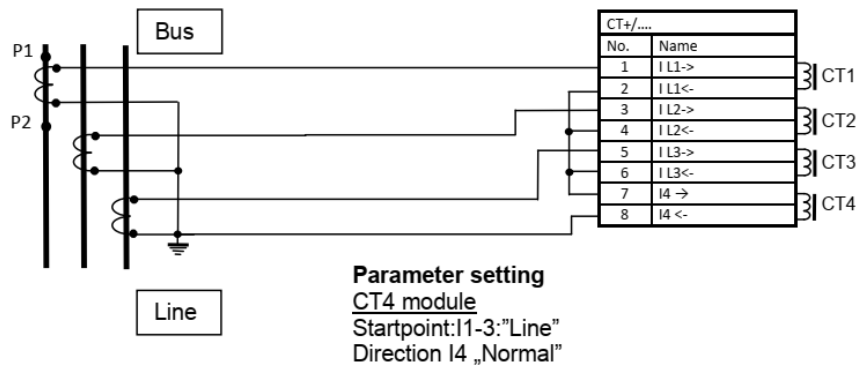


Figure 1-1 Example: CT connection with 3I₀ measurement

The related proposed parameter setting is the screen-shot of Figure 1-2. Parameter “Starpoint I1-3” is set to “Line”, indicating that the star-point is toward the protected object (line). The parameter “Direction I4” is set to “Normal”, indicating that the residual current flows in to terminal No7 and the star point of the primary current transformer is toward the protected object (line).

	Device value (Default_set_1)	New value		
Rated Secondary I1-3	1A	1A		
Rated Secondary I4	1A	1A		
Starpoint I1-3	Line	Line		
Direction I4	Normal	Normal		
Rated Primary I1-3	1000	1000	A	(100 - 4000 / 1)
Rated Primary I4	1000	1000	A	(100 - 4000 / 1)

Figure 1-2 Example: Parameter setting, according to Figure 1-1

In case of normal operation of the network, the correct connection of the CT-s and the related parameter setting can be checked using the “On-line” measurements. Disconnect one phase of the protected line, e.g. L1. The expected result is shown in Figure 1-3. The current is missing in phase L1 (Current Ch-11 = 0) and the measured 3I₀ value is the vector sum of the remaining I₂+I₃. (Value of “Current Ch - I4” with the related “Angle - I4”).

NOTE: If in this test, only the secondary current is disclosed using a short measuring cable, then the measured current in this phase is usually not zero, due to the current distribution between the low-impedance input and the impedance of the measuring cable. For correct result, additionally to the short-circuit, also the disconnection of this input is needed. In this example the reference vector is the vector of the first voltage channel (not shown in the screenshot).

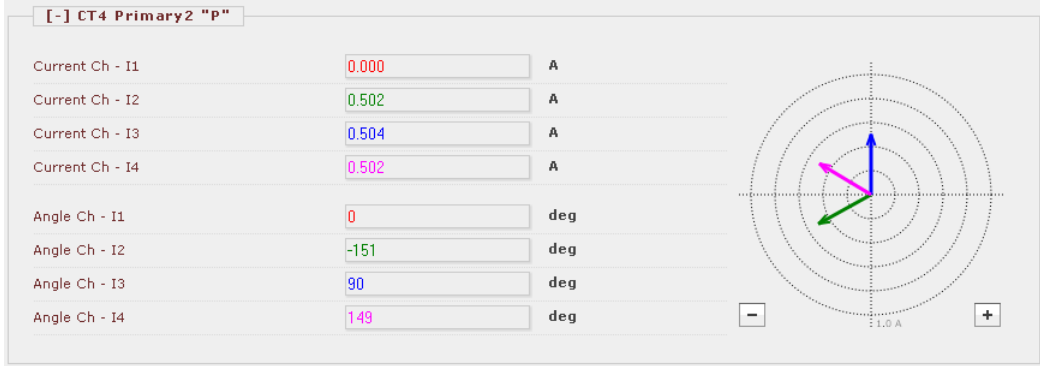


Figure 1-3 Example: Checking the current connection

3.3.1.1.3.2. Application of core-balanced CT

Figure 1-4 shows a connection example with 3I0 measurement. The star-point of the CT-s is towards the line, L1 is connected to terminal No1 of the CT input, L2 to No3, L3 to No5. The common point of the CT inputs is the connected No2-No4-No6. The separately measured residual current is connected with the same polarity to terminals 7-8.

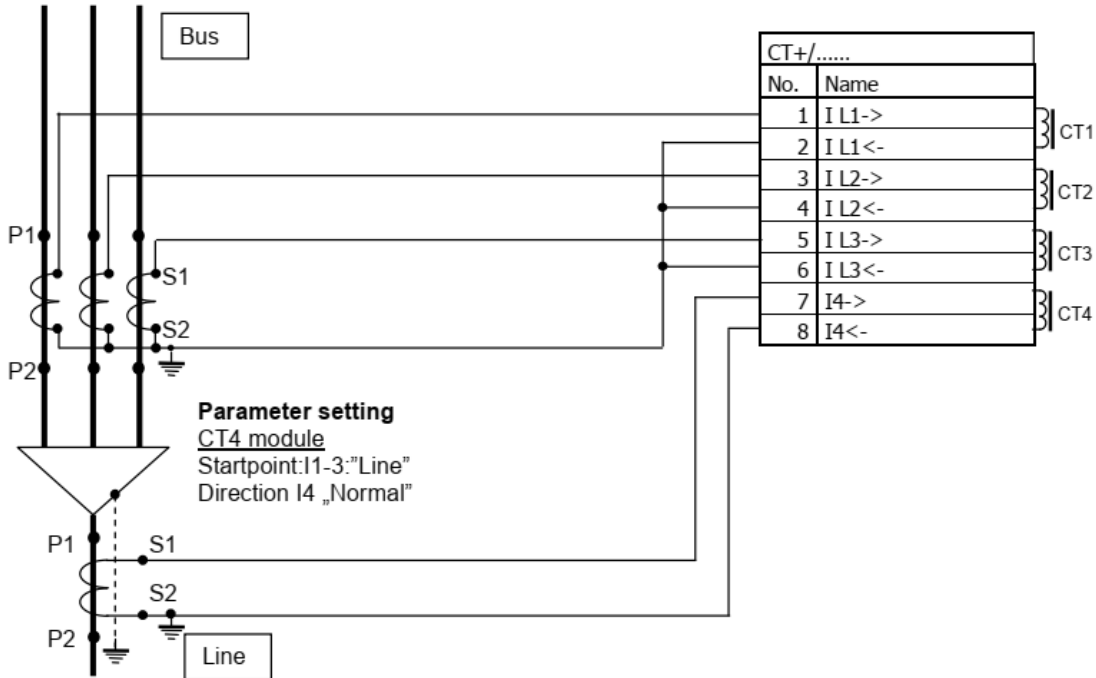


Figure 1-4 Example: CT connection with core-balance CT application

This figure also indicates the proposed parameter values for this connection. The checking is similar to that, shown in Figure 1-3.

3.3.2. AIC current input function

3.3.2.1. Application of the AIC current input function

If the factory configuration includes an AIC input hardware module, the AIC current input function block is automatically configured among the software function blocks. Separate current input function blocks are assigned to each AIC current input hardware module.

The AIC current input module accepts transducers current outputs. The AIC module has four channels, they can measure unipolar and bipolar current values in wide ranges. (See EuroProt+ hardware description document.) The transducer converts any physical quantity to DC current values.

The transmitters can be connected by wiring methods, shown in Figure 1–1, Figure 1–2 and Figure 1–3.

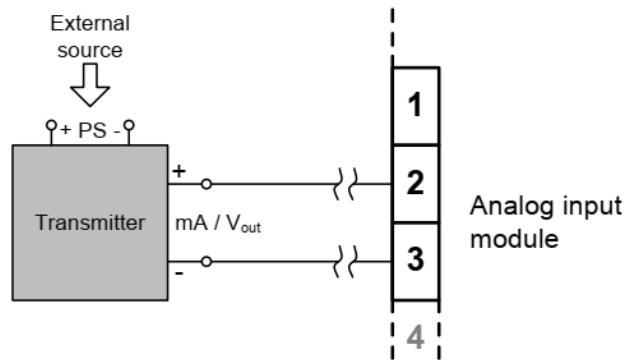


Figure 1–1 2-wire AIC wiring without 12 V excitation

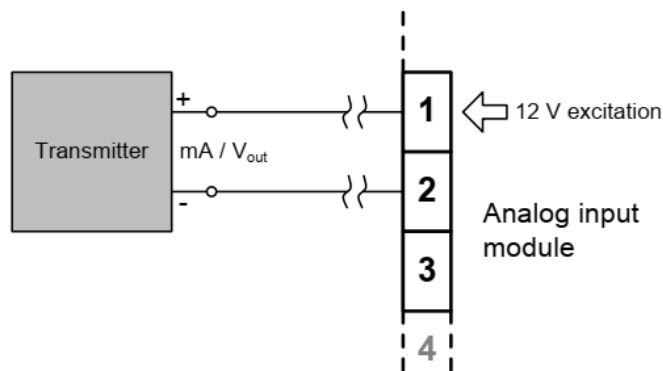


Figure 1–2 2-wire AIC wiring with 12 V excitation

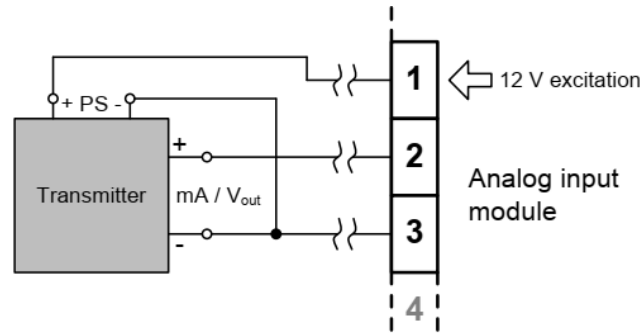


Figure 1–3 3-wire AIC wiring with 12 V excitation

The channels of the module are independent of each other. To each channel a dedicated measuring module is assigned. These measuring modules are described in a separate document: “**GGIOmA current measurement module function block description**”.

3.3.2.2. Technical summary

3.3.2.2.1. Technical data

The technical data of the AIC analog current input module are related to the hardware module. This is described in the document “**EuroProt+ Hardware description**, Chapter 11: analog input module”.

3.3.2.2.2. Summary of the parameters

The parameters of the AIC analog current input function are explained in the following table.

Enumerated parameters

Parameter name	Title	Selection range	Default
Polarity of Channel 1			
AIC_Ch1Dir_EPar_1	Direction - Ch1	Normal,Inverted*	Normal
Polarity of Channel 2			
AIC_Ch2Dir_EPar_1	Direction – Ch2	Normal,Inverted*	Normal
Polarity of Channel 3			
AIC_Ch3Dir_EPar_1	Direction – Ch3	Normal,Inverted*	Normal
Polarity of Channel 4			
AIC_Ch4Dir_EPar_1	Direction – Ch4	Normal,Inverted*	Normal

*Figures 1-1, 1-2 and 1-3 show “Normal” connection polarity

Table 1-1 The enumerated parameters of the current input function

NOTE: The function block has no input and output binary signals, the graphic logic editor does not show this function block.



3.3.3. Voltage input function

3.3.3.1. Application of the voltage input function

The application of the voltage inputs depends on the correct connection of the hardware terminals and also on the correct parameter setting for the VT4 function block. This guide describes examples, based on which any other combinations can be realized.

In the applications of the voltage transformer hardware module, the first three voltage inputs receive the three phase voltages (UL1, UL2, UL3), the fourth input is reserved for zero sequence voltage, for the busbar voltage if synchronized switching is applied or for any additional voltages. Accordingly, the first three inputs have common parameters while the fourth voltage input needs individual setting.

The VT4 function block is an independent module in the sense that:

- It has independent parameters to be set, associated to the voltage inputs,
- It delivers the sampled voltage values for protection, measurement function blocks and for disturbance recording,
- It provides parameters for the subsequent functions blocks for scaling the measured voltages.
- It performs the basic calculations
 - Fourier basic harmonic magnitude and angle,
 - True RMS value.

3.3.3.1.1. Parameter setting

3.3.3.1.1.1. Summary of the parameters

The parameters of the voltage input function are explained in the following tables.

Enumerated parameters

Parameter name	Title	Selection range	Default
Rated secondary voltage of the input channels. 100 V or 200V is selected by parameter setting, no hardware modification is needed.			
VT4_Type_EPar_	Range	Type 100,Type 200	Type 100
Connection of the first three voltage inputs (main VT secondary)			
VT4_Ch13Nom_EPar_	Connection U1-3	Ph-N, Ph-Ph, Ph-N-Isolated	Ph-N
Selection of the fourth channel input: phase-to-neutral or phase-to-phase voltage			
VT4_Ch4Nom_EPar_	Connection U4	Ph-N,Ph-Ph	Ph-Ph
Definition of the positive direction of the first three input channels, given as normal or inverted			
VT4_Ch13Dir_EPar_	Direction U1-3	Normal,Inverted	Normal
Definition of the positive direction of the fourth voltage, given as normal or inverted			
VT4_Ch4Dir_EPar_	Direction U4	Normal,Inverted	Normal

Table 1-1 The enumerated parameters of the voltage input function

Integer parameter

Parameter name	Title	Unit	Min	Max	Step	Default
Voltage correction						
VT4_CorrFact_IPar_	VT correction	%	100	115	1	100

Table 1-2 The integer parameter of the voltage input function



Floating point parameters

Parameter name	Title	Dim.	Min	Max	Default
Rated primary voltage of channel 1, 2, 3					
VT4_PriU13_FPar	Rated Primary U1-3	kV	1	1000	100
Rated primary voltage of channel 4					
VT4_PriU4_FPar	Rated Primary U4	kV	1	1000	100

Table 1-3 The floating point parameters of the voltage input function

NOTE: The rated primary voltage of the channels is not needed for the voltage input function block itself. These values are passed on to the subsequent function blocks.

3.3.3.1.1.2. Setting the rated secondary voltage

The scaling of the voltage depends on parameter setting.

Range

There are basically two standard voltage transformer types: one with secondary rated voltage 100 V, the other with 200 V. Select the parameter value respectively: Type 100, Type 200. No hardware modification is needed. This parameter influences the internal number format and, naturally, accuracy. (A small voltage is processed with finer resolution if 100V is selected.)

VT correction

In some cases the rated secondary of the voltage transformers is not 100V but e.g. 110 V. This parameter is to correct this difference, if the rated secondary voltage of the main voltage transformer does not match the rated input of the device. As an example: if the rated secondary voltage of the main voltage transformer is 110V, then select Type 100 for the parameter "Range" and the required value to set here is 110%.

3.3.3.1.1.3. Setting the connection and the positive direction of the voltages

The connection and direction parameters of the first three VT secondary windings must be set to reflect actual physical connection of the main VTs.

Connection U1-3.

The selection can be: "Ph-N", "Ph-Ph" or "Ph-N-Isolated".

The *Ph-N* option is applied in solidly grounded networks, where the measured phase voltage is never above $1.5 \cdot U_n$. In this case the primary rated voltage of the VT must be the value of the rated PHASE-TO-NEUTRAL voltage.

The *Ph-N-Isolated* option is applied in compensated or isolated networks, where the measured phase voltage can be above $1.5 \cdot U_n$ even in normal operation. In this case the primary rated voltage of the VT must be the value of the rated PHASE-TO-PHASE voltage.

The *Ph-Ph* option is to be selected if phase-to-phase voltage is connected to the VT input of the device. Here, the primary rated voltage of the VT must be the value of the rated PHASE-TO-PHASE voltage. This option must not be selected if the distance protection function or



directional overcurrent protection function is supplied from the VT input.

Connection U4

The fourth input is reserved for zero sequence voltage or for a voltage from the other side of the circuit breaker for synchronized switching. Accordingly, the connected voltage must be identified with parameter setting Connection U4. Here, phase-to-neutral or phase-to-phase voltage can be selected: “Ph-N”, “Ph-Ph”

Direction U1-3

If needed, the phase voltages can be inverted by setting the parameter Direction U1-3. This selection applies to each of the channels UL1, UL2 and UL3. The primary/secondary connection of the VT windings is generally star/star connected and the phase voltages signed with • are connected to the VT4 terminals 1-3-5. In this case the parameter setting is „Normal”. Select “Inverted” to the parameter Direction U1-3 in case of inverted connection of phase voltages.” (See also Figure 1-1 in setting example.)

Direction U4

This parameter applies to the channel UL4. If the voltage signed with • is connected to the VT4 terminal 7 the parameter setting is „Normal”. Select “Inverted” to the parameter Direction U4 in case of inverted connection of the voltage. This inversion may be needed in protection functions such as distance protection or for any functions with directional decision, or for checking the voltage vector positions.

Figure 1-1 shows an example with harmonized connection and parameter setting.

If the voltages are connected not this way then change the parameter values accordingly.

3.3.3.1.1.4. Setting the rated primary voltage

These parameters are needed only to display the voltages (and powers) in primary scale. The protection functions apply secondary values, these parameters are not needed for protection functions.

Rated Primary U1-3 and Rated Primary U-4

Select the rated primary voltages according to the nominal data of the main voltage transformers. The two parameters are: common for the first three channels and one for the fourth channel respectively.

3.3.3.1.2. Application of the on-line measurements in commissioning

The performed basic calculation results the Fourier basic harmonic magnitude and angle value of the voltages. These results are processed by subsequent protection function blocks and they are available for on-line displaying as well.

3.3.3.1.2.1. Summary of the on-line measurements

The **measured values** of the voltage input function block.

Measured value	Dim.	Explanation
Voltage Ch - U1	V(secondary)	Fourier basic component of the voltage in channel UL1
Angle Ch - U1	degree	Vector position of the voltage in channel UL1
Voltage Ch - U2	V(secondary)	Fourier basic component of the voltage in channel UL2
Angle Ch - U2	degree	Vector position of the voltage in channel UL2
Voltage Ch - U3	V(secondary)	Fourier basic component of the voltage in channel UL3
Angle Ch - U3	degree	Vector position of the voltage in channel UL3
Voltage Ch - U4	V(secondary)	Fourier basic component of the voltage in channel U4
Angle Ch - U4	degree	Vector position of the voltage in channel U4

Table 1-4 The measured analogue values of the voltage input function

NOTE1: The scaling of the Fourier basic component is such that if pure sinusoid 57V RMS of the rated frequency is injected, the displayed value is 57V.

NOTE2: The reference vector (vector with angle 0 degree) is the vector calculated for the first voltage input channel of the first applied voltage input module. (The first voltage input module is the one, configured closer to the CPU module.)

3.3.3.1.3. Examples

When the vector position of the voltages are relevant (e.g. distance protection, directional overcurrent protection, power measurement, synchrocheck, etc.) then mind the correct connection of the instrument transformers and the related parameter setting. If the wires of the secondary cables are interchanged then change also the related parameter values.

3.3.3.1.3.1. Phase voltage and residual voltage measurement

Figure 1-1 shows the phase voltage measurement and also the residual voltage measurement e.g. for residual directional overcurrent protection function. In this example the residual voltage is measured in open delta of the VT secondary coils. The network is supposed to be compensated. This figure also indicates the proposed parameter values.

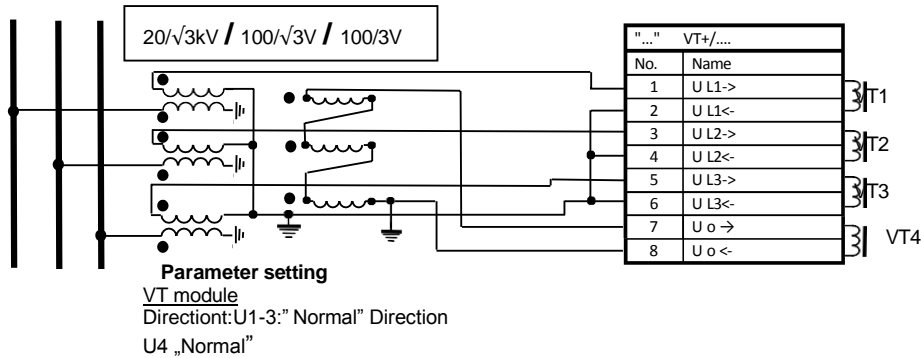


Figure 1-1 Example: Phase voltage and residual voltage measurement

Range	Type 100	The type indicates the rated secondary voltage of the VT. This can be 100 V (in this example) or 200V
Connection U1-3	Ph-N-Isolated	This indicates that the VT primary is connected between the conductor and the ground (in this example in compensated network). This could be Ph-N or Ph-Ph in other application. (NOTE: If the neutral of the system is not grounded, select Ph-N-Isolated)
Connection U4	Ph-Ph	In case of earth fault the open delta measures 100 V. This corresponds to the phase-to-phase value
Direction U1-3	Normal	Figure 1-1 shows the normal VT connection, i.e. the signed • phase wires are connected to the terminals 1-3-5. (Select "Inverted" in case of inverted connection.)
Direction U4	Normal	Figure 1-1 shows the normal VT connection, i.e. the signed • wire of the open delta of VT-s is connected to the terminal 7. (Select "Inverted" in case of inverted connection.)
VT correction	100	If the rated secondary value of the VT is e.g. 110 V then select this correction value to 110%.
Rated Primary U1-3	20	Setting, according to the VT rated voltage, applied at the primary side. This parameter is used for scaling the displayed values only.
Rated Primary U4	11.55	This parameter is used for scaling the displayed values only. In case of earth fault, the open delta measures 100 V. In primary value it is displayed as the phase voltage in the 20 kV network.

Table 1-5 Example parameters for the voltage input function

3.3.3.1.3.2. Syncrocheck using phase-to neutral voltage

Figure 1-2 shows the application of the fourth voltage input of the VT module for syncrocheck function. Here UL2 of the busbar voltage is used for this purpose.

NOTE: Among syncrocheck parameters set "Voltage select" parameter to "L2-N".

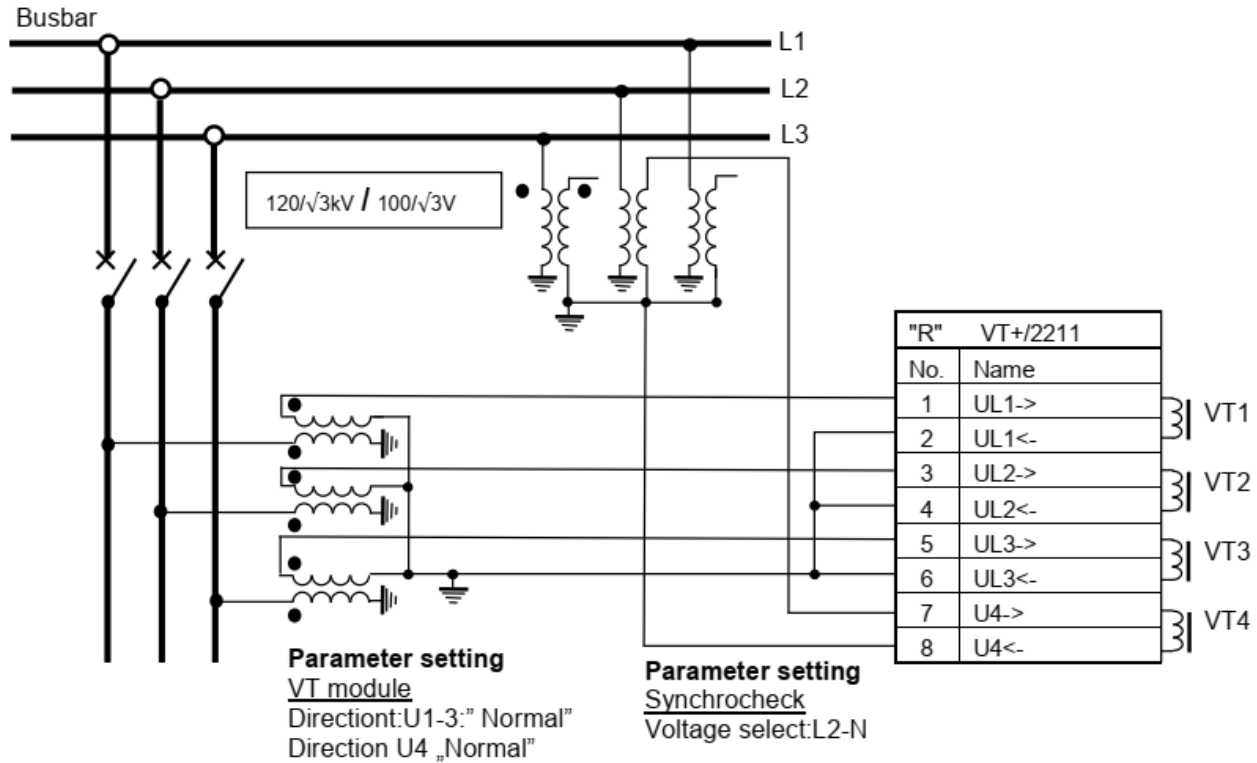


Figure 1-2 Example: Syncrocheck, using phase-to-neutral voltage

Figure 1-3 shows the screenshot indicating the proposed parameter values.

[-] VT4 module "U"		Device value (Default_set_1)	New value		
Range	Type 100	Type 100			
Connection U1-3	Ph-N	Ph-N			
Connection U4	Ph-N	Ph-N			
Direction U1-3	Normal	Normal			
Direction U4	Normal	Normal			
VT correction	100	100	%		(100 - 115 / 1)
Rated Primary U1-3	69.28	69.28	kV		(1.00 - 1000.00 / 0.01)
Rated Primary U4	69.28	69.28	kV		(1.00 - 1000.00 / 0.01)

Figure 1-3 Example:Parameters for syncrocheck, using phase-to-neutral voltage

The "On-line window" of the VT4 input module shows the checking the correct voltage vector position. When the line is connected to the busbar, i.e. the CB is closed, in this example the U4 voltage is expected to have the same value and position as U2. See Figure 1-4.

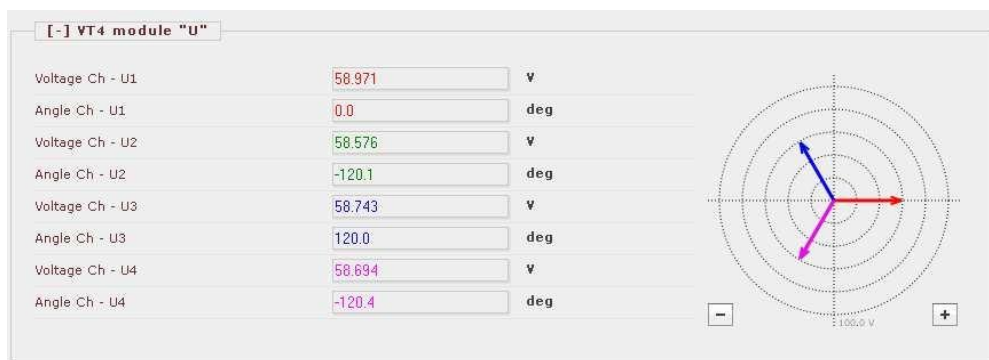


Figure 1-4 Example: On-line measurement for synchrocheck, using phase-to-neutral voltage

3.3.3.1.3.3. Synchrocheck using phase-to-phase voltage

Figure 1-5 shows the application of the fourth voltage input of the VT module for synchrocheck function. Here UL1-UL3 line-to-line signal of the busbar voltage is used for this purpose.

NOTE: Among synchrocheck parameters set "Voltage select" parameter to "L3-L1". This selection is opposite to that, of the connected voltage. This can be corrected selecting the "Direction U4" parameter value to "Inverse".

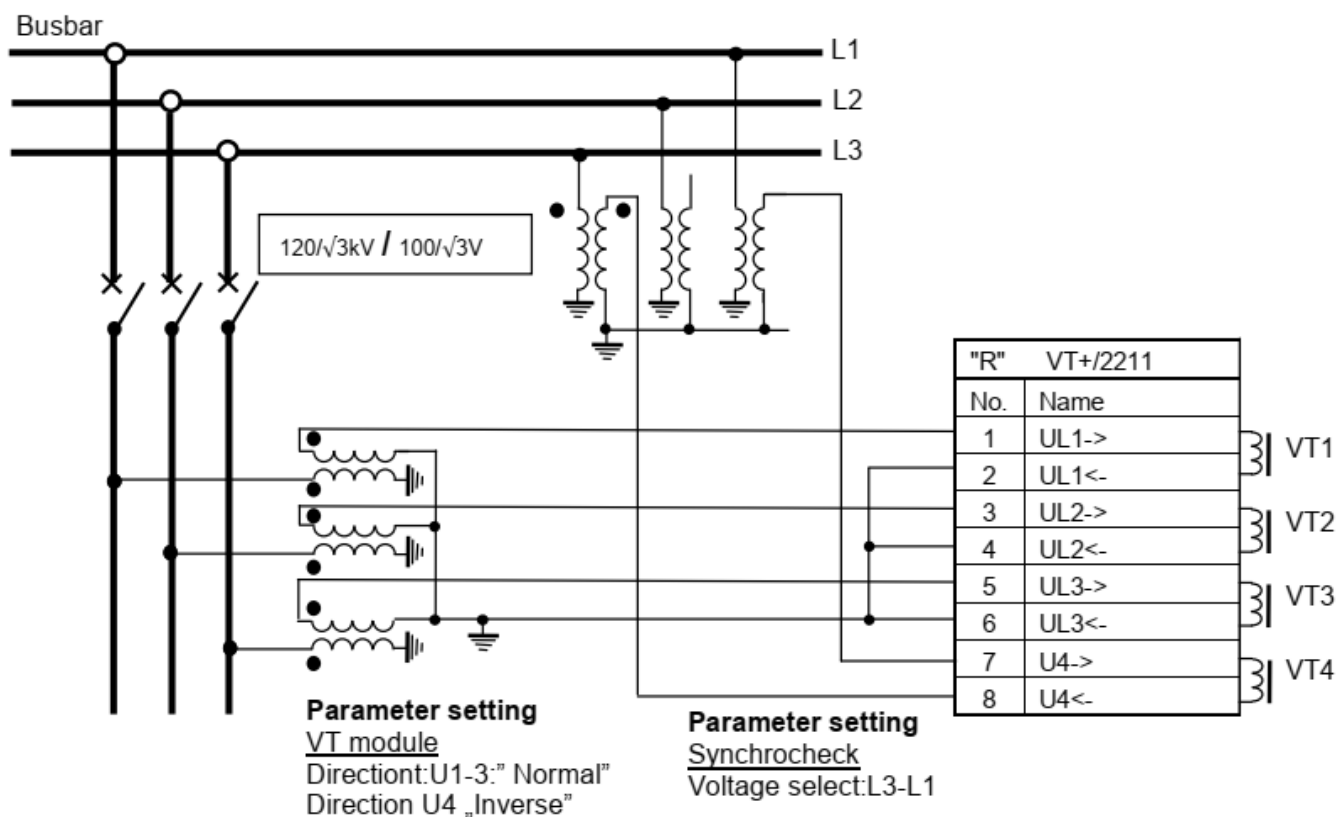
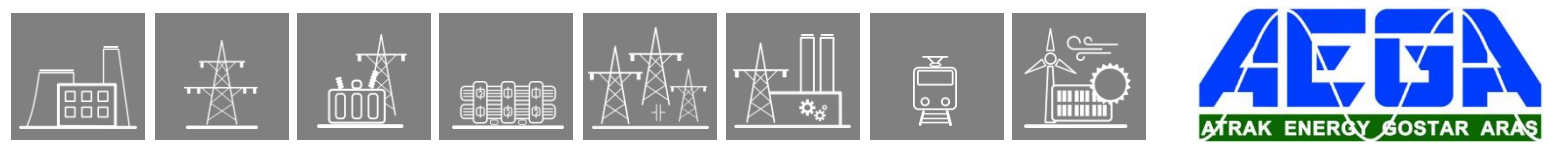


Figure 1-5 Example: Synchrocheck, using phase-to-phase voltage

Figure 1-6 shows the proposed parameter values for the connection shown above.



3.3.4. Line and frequency measurement functions

3.3.4.1. Application

The input values of the EuroProt+ devices are the secondary signals of the voltage transformers and those of the current transformers when they are available in the actual configuration.

These signals are pre-processed by the “VT4 module” voltage input function block and by “CT4 module” the current input function block. These function blocks are described in separate documents. The pre-processed values include the Fourier basic harmonic phasors of the voltages and currents and the true RMS values. Additionally, it is in these function blocks that parameters are set concerning the voltage ratio of the primary voltage transformers and current ratio of the current transformers.

Based on the pre-processed values and the measured transformer parameters, the measurement function blocks calculate - depending on the hardware and software configuration - the primary RMS values of the voltages and currents and some additional values such as active and reactive power, symmetrical components of voltages and currents. These values are available as primary quantities and they can be displayed on the on-line screen of the device or on the remote user interface of the computers connected to the communication network and they are available for the SCADA system using the configured communication system.

3.3.4.2. Mode of operation

The **inputs** of the line measurement function are

- the Fourier components and true RMS values of the measured voltages and currents,
- frequency measurement,
- parameters.

The **outputs** of the line measurement function are

- displayed measured values,
- reports to the SCADA system.

NOTE: the scaling values are entered as parameter setting for the “Voltage transformer input” function block and for the “Current transformer input” function block.

3.3.4.3. The measurement

3.3.4.3.1. The measured values; variants of the function

There are six variants of the MXU function, based on their **measured values**. Parameters and measurements are alike for each. The **type of the variant** is shown in the *function block name*:

- Line Measurement (*MXU_LM*)
- Frequency Measurement (*MXU_F*)
- Voltage measurement (*MXU_V*)
- Voltage measurement (*MXU_V1*) (single voltage)
- Current measurement (*MXU_C*)
- Current measurement (*MXU_C1*) (single current)

Table 1-1 Measured values of each variant

ON-LINE MEASURED VALUE	EXPLANATION	MXU FUNCTION BLOCK VARIANT					
		LM	F	V	V1	C	C1
MXU_P_OLM_	Active Power – P (Fourier base harmonic value)	X					
MXU_Q_OLM_	Reactive Power – Q (Fourier base harmonic value)	X					
MXU_S_OLM_	Apparent Power – S (Fourier base harmonic value)	X					
MXU_Fi_OLM_	Power factor	X					
MXU_I1_OLM_	Current L1	X				X	X
MXU_I2_OLM_	Current L2	X				X	
MXU_I3_OLM_	Current L3	X				X	
MXU_Ipos_OLM_	Calculated positive seq. current	X				X	
MXU_Ineg_OLM_	Calculated negative seq. current	X				X	
MXU_3Io_OLM_	Calculated 3Io	X				X	
MXU_U1_OLM_	Voltage L1	X		X	X		
MXU_U2_OLM_	Voltage L2	X		X			
MXU_U3_OLM_	Voltage L3	X		X			
MXU_U12_OLM_	Voltage L12	X		X			
MXU_U23_OLM_	Voltage L23	X		X			
MXU_U31_OLM_	Voltage L31	X		X			
MXU_Upos_OLM	Calculated positive seq. voltage	X		X			
MXU_Uneg_OLM_	Calculated negative seq. voltage	X		X			
MXU_3Uo_OLM_	Calculated 3Uo	X		X			
MXU_f_OLM_	Frequency		X	X			

3.3.4.3.2. The measurement modes

Regarding the power measurements there are two possibilities for the measurement modes. The first one is the “ThreePhase”-method, where all three measured voltages and currents are considered in the power calculation. The second one is the “Aron”-method, where two phase-to-phase voltages and two phase currents are taken into the calculation. This method has correct results only in case when the voltages and currents are symmetrical. The user can choose the mode with the “Measurement mode” parameter. For the “Aron”-method there are three options:

Table 1-2 Explanation for the Aron measurement modes

Measurement mode	Used phase-currents	Used phase-to-phase voltages
Aron L2-L3	L2, L3	L1-L2, L3-L1
Aron L3-L1	L1, L3	L1-L2, L2-L3
Aron L1-L2	L1, L2	L2-L3, L3-L1



If the “Connection U1-3” parameter of the *VT4 module* function block is set to “Ph-Ph”, the “ThreePhase”-method cannot be used for the power measurements here, so either of the “Aron” methods must be set for it. Otherwise, the device will provide a warning signal (yellow Status LED, “General param. error” message).

3.3.4.4. Reporting the measured values and the changes

It is usual for the SCADA systems that they sample the measured and calculated values in regular time periods and additionally they receive the changed values as reports at the moment when any significant change is detected in the primary system. The “Line measurement” function block performs such reporting for the SCADA system. Three parameters define this reporting:

- *Report Deadband* for choosing the type of reporting, or disabling the reporting
- *Deadband Value* for defining the deadband width
- *Range (value)* for evaluating the “out-of-range” condition

The usage of these parameters is explained in the following chapters.

3.3.4.4.1. “Amplitude” mode of reporting

If the “Amplitude” mode is selected for reporting, a report is generated if the measured value leaves the deadband around the previously reported value. As an example, [Figure 1-1](#) shows that the current becomes higher than the value reported in “report1” PLUS the Deadband value, this results “report2”, etc.

For this mode of operation, the Deadband parameters are explained in the figure below.

NOTE: The “Range” parameters are needed to evaluate a measurement as “out-of-range”.

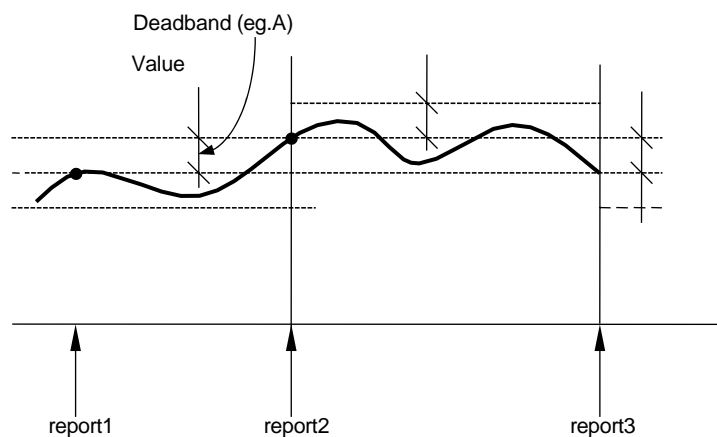


Figure 1-1 Reporting if “Amplitude” mode is selected

3.3.4.4.2. “Integrated” mode of reporting

If the “Integrated” mode is selected for reporting, a report is generated if the time integral of the measured value since the last report gets becomes larger, in the positive or negative direction, then the (deadband*1 sec) area. As an example, [Figure 1-2](#) shows that the integral of the current in time becomes higher than the Deadband value multiplied by 1sec, this results “report2”, etc.

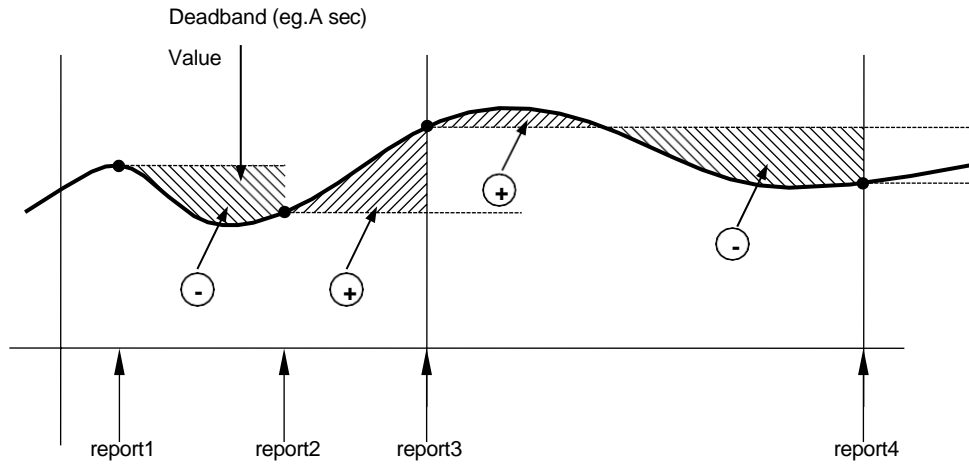


Figure 1-2 Reporting if “Integrated” mode is selected

3.3.4.4.3. Periodic reporting

Periodic reporting is generated independently of the changes of the measured values when the defined time period elapses. If the reporting time period is set to 0, then no periodic reporting is performed for this quantity.

Applying periodic reporting and setting up its interval is done by using the **Communication configurator**, a part of the **EuroCAP** software (see its description for detailed information).

Once the “Trigger period” property is set to “True”, the “Integrity period” setting becomes available to set (in milliseconds). As an example, see the picture below.

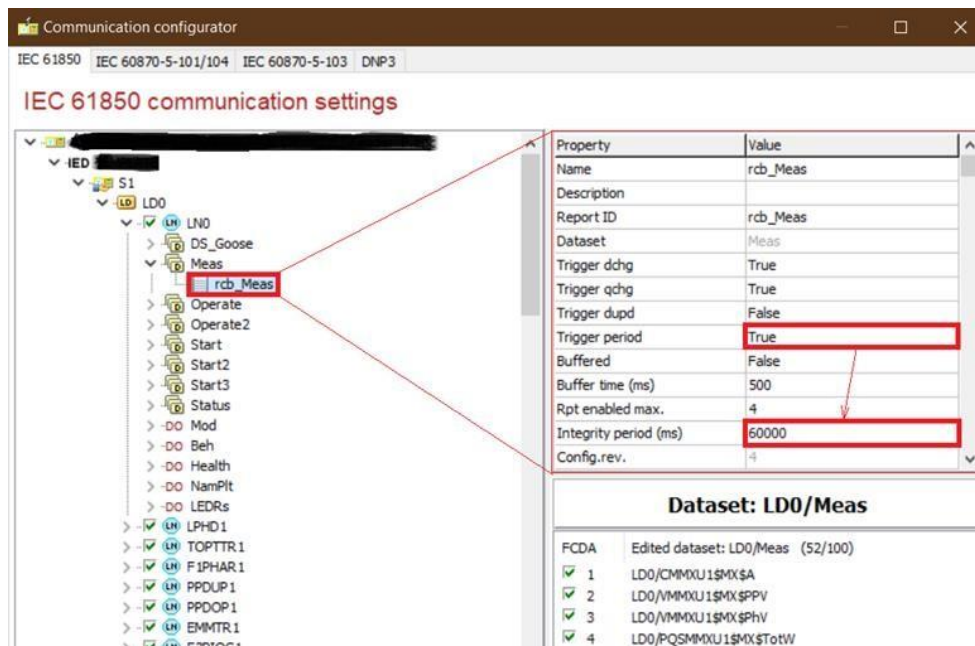
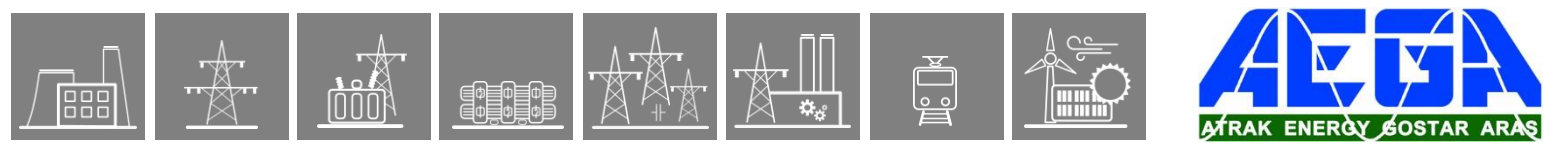


Figure 1-3 Setting up periodic reporting in EuroCAP



3.3.4.4.4. Zero-point clamping

A measured value under the zero-point clamping limit is cut off to zero.

- Three-phase current measurement 0.2% of nominal (I_n)
- Three-phase voltage measurement 2% of nominal (U_n)
- Residual current measurement 0.2% of nominal (I_n)
- Residual voltage measurement 2% of nominal (U_n)
- Phase sequence current measurement 0.2% of the nominal (I_n)
- Phase sequence voltage measurement 2% of the nominal (U_n)
- Three-phase power and energy measurement 0.23% of the nominal (S_n)

Range Value - Ipos	A	1 – 5000	1	500	Range value for the positive seq. current
Report Deadband - P	-	Off, Amplitude, Integrated	-	Amplitude	Selection of the reporting mode for active power measurement
Deadband Value - P	kW*	0.10 – 10000.00	0.01	10	Deadband value for the active power
Range Value - P	kW*	1.00 – 100000.00	0.01	500	Range value for the active power
Report Deadband - Q	-	Off, Amplitude, Integrated	-	Amplitude	Selection of the reporting mode for reactive power measurement
Deadband Value - Q	kVAr*	0.10 – 10000.00	0.01	10	Deadband value for the reactive power
Range Value - Q	kVAr*	1.00 – 100000.00	0.01	500	Range value for the reactive power
Report Deadband - S	-	Off, Amplitude, Integrated	-	Amplitude	Selection of the reporting mode for apparent power measurement
Deadband Value - S	kVA*	0.10 – 10000.00	0.01	10	Deadband value for the apparent power
Range Value - S	kVA*	1.00 – 100000.00	0.01	500	Range value for the apparent power
Report Deadband	Hz	Off, Amplitude, Integrated	-	Amplitude	Selection of the reporting mode for frequency measurement
Deadband Value	Hz	0.01 – 1.00	0.01	0.03	Deadband value for the frequency
Range Value	Hz	0.05 – 10.00	0.01	5	Range value for the frequency

**the prefixes can change (i.e. kW→MW, kV→V etc.) depending on the configuration; changing these is done by Protecta personnel*

***if the setting range is to be extended, contact Protecta personnel*

3.3.4.5.2. Function I/O

This section describes briefly the analogue and digital inputs and outputs of the function block.

3.3.4.5.2.1. Analogue inputs

The analogue inputs of the measurement functions are

- the Fourier components and true RMS values of the measured and calculated secondary voltages
- the Fourier components and true RMS values of the measured secondary currents,

3.3.4.5.2.2. Analogue outputs (measurements)

See the next chapter (On-line data) for the listing of all measurements. Note again, that the measured values depend on the type of the actual measurement function block, see Chapter [1.3.1](#)

3.3.4.5.2.3. On-line data

The **on-line data** of the line measurement function depend on the available analogue values which are referring to the applied hardware configuration.

Visible values on the on-line data page:

Table 2-2 On-line data of the line measurement function

SIGNAL TITLE	DIMENSION	EXPLANATION
Power - P	kW*	Calculated three-phase active power
Reactive Power - Q	kVAr*	Calculated three-phase reactive power
Apparent Power - S	kVA*	Calculated three-phase apparent power
Power factor	-	Calculated power factor
Current L1	A	Measured primary current L1 based on the nominal values of the CT4 current input function
Current L2	A	Measured primary current L2 based on the nominal values of the CT4 current input function
Current L3	A	Measured primary current L3 based on the nominal values of the CT4 current input function
Positive sequence current	A	Calculated positive sequence current from the three phase currents
Negative sequence current	A	Calculated negative sequence current from the three phase currents
Calculated 3Io	A	Calculated 3Io from the three phase currents
Voltage L1	kV*	Measured primary L1 phase voltage L1 based on the nominal values of the VT4 voltage input function
Voltage L2	kV*	Measured primary L2 phase voltage L2 based on the nominal values of the VT4 voltage input function
Voltage L3	kV*	Measured primary L3 phase voltage L3 based on the nominal values of the VT4 voltage input function
Voltage L12	kV*	Calculated L12 phase-to-phase voltage
Voltage L23	kV*	Calculated L23 phase-to-phase voltage
Voltage L31	kV*	Calculated L31 phase-to-phase voltage
Positive sequence voltage	kV*	Calculated positive sequence voltage from the three phase voltages
Negative sequence voltage	kV*	Calculated negative sequence voltage from the three phase voltages
Calculated 3Uo	kV*	Calculated 3Uo from the three phase voltages
Frequency	Hz	Measured frequency

**the prefixes may be different (i.e. kW→MW, kV→V etc.) depending on the configuration; changing these is done by Protecta personnel*

3.3.4.5.3. Technical data

Table 2-3 Technical data of the line measurement function (power)

POWER MEASUREMENT (P, Q, S)*	RANGE	ACCURACY
HW MODULES		
CT+/5115	0,002 – 0,01 In	±3%, ±1 digit
	0,01 – 0,03 In	±1%, ±1 digit
	0,03 – 5 In (max. 5 In for measurement purposes)	±0,5%, ±1 digit
CT+/1500**	0,002 – 0,005 In	±1,5%, ±1 digit
	0,005 – 0,02 In	±0,5%, ±1 digit
	0,02 – 2 In	±0,2%, ±1 digit
CT+/5151** CT+/5153 (Channel 1-3)	0,02 – 0,05 In	±3%, ±1 digit
	0,05 – 20 In	±0,5%, ±1 digit

* By using VT+/2211 with nominal voltage.

** The defined accuracy regarding the CT+/1500 and CT+/5151 modules are valid from 2020/Q2 or on customer request. For the values before this date, see [Table 2-7](#) in the next chapter.

Table 2-4 Technical data of the line measurement function (currents)

CURRENT MEASUREMENT (PHASE AND SEQUENTIAL)	RANGE	ACCURACY
HW MODULES		
CT+/5115	0,002 – 0,01 In	±3%, ±1 digit
	0,01 – 0,03 In	±1%, ±1 digit
	0,03 – 5 In (max. 5 In for measurement purposes)	±0,5%, ±1 digit
CT+/1500*	0,002 – 0,005 In	±1,5%, ±1 digit
	0,005 – 0,02 In	±0,5%, ±1 digit
	0,02 – 2 In	±0,2%, ±1 digit
CT+/5151* CT+/5153 (Channel 1-3)	0,02 – 0,05 In	±3%, ±1 digit
	0,05 – 20 In	±0,5%, ±1 digit

* The defined accuracy regarding the CT+/1500 and CT+/5151 modules are valid from 2020/Q2 or on customer request. For the values before this date, see [Table 2-7](#) in the next chapter.

Table 2-5 Technical data of the line measurement function (voltages)

VOLTAGE MEASUREMENT (PHASE, PHASE-TO-PHASE, SEQUENTIAL)	RANGE	ACCURACY
HW MODULES		
VT+/2211	0,05 – 1,5 Un	±0,5%, ±1 digit

Table 2-6 Technical data of the frequency measurement function

FREQUENCY MEASUREMENT	VALUE	ACCURACY
Frequency	40 - 60 Hz (50 Hz system) 50 - 70 Hz (60 Hz system)	± 2 mHz

3.3.4.5.3.1. Notes for testing

If there are no measurements seen on the SCADA software, check the Report Deadband parameter and/or the settings of the periodic reporting in the Communication Configurator. The former's default value is 'Off', and the latter's is 'False', which means that by default, the reporting is disabled. It must be enabled first.

The **periodic reporting** is defined in the device configuration file (.epc/.epcs) using EuroCAP. See Chapter [1.4.3](#). This also means that changing the properties of this will require loading a new configuration file to the device (hence a full device restart).



If the "Connection U1-3" parameter of the *VT4 module* function block is set to "Ph-Ph", the "ThreePhase"-method cannot be used for the power measurements here, so either of the "Aron" methods must be set for it. Otherwise, the device will provide a warning signal (yellow Status LED, "General param. error" message).

For the devices shipped with modules manufactured before 2020/Q2, the technical data table is different:

Table 2-7 Technical data of the line measurement function

HARDWARE MODULE	RANGE	ACCURACY
CT+/5151 or CT+/5102	0,2 In – 0,5 In	±2%, ±1 digit
	0,5 In – 20 In	±1%, ±1 digit
CT+/1500	0,03 In – 2 In	±0,5%, ±1 digit

3.3.5.4. Parameters of the function block

Enumerated parameter

Parameter name	Title	Selection range	Default
Time window for averaging			
MXU_TimWin_EPar_T _	Average TimeWindow	Off,5min,10min,15min,30min,60min	Off

Table 1-1 The enumerated parameters of the average and maximum measurement function

Integer parameter

Parameter name	Title	Unit	Min	Max	Step	Default
Time window for finding the maximum value						
MXU_MaxResInt_IPar_T	MaxReset Interval	day	0	365	1	1
Moment of time for reporting and reset						
MXU_MaxResTime_IPar_T	MaxReset Time	hour	0	23	1	12

Table 1-2 The integer parameters of the average and maximum measurement function

3.3.5.5. Status signals of the function block

The average and maximum measurement function block has **binary input signals**, which serve the purpose of resetting the values and enabling logging the average value. **The conditions are defined by the user, applying the graphic equation editor.**

Binary status signal	Explanation
MXU_Reset_GrO_IL1 *	This signal resets both the calculated average and the found maximum value. At the end of the running cycles, the values found during the shortened cycle will be processed.
MXU_DemHMIEna_GrO_IL1	During the active state of this signal also the calculated average value is logged

* Note: In this example “IL1” is indicating that in the instant of the function block processes the RMS value of the current in line 1

Table 1-3 The binary input signal for the average and maximum measurement function block

The average and maximum measurement function block **has no binary output signals.**

3.3.5.6. The function block

The function block of the average and maximum measurement function is shown in Figure 1-1. This block shows all binary input (and output) status signals that are applicable in the graphic equation editor.

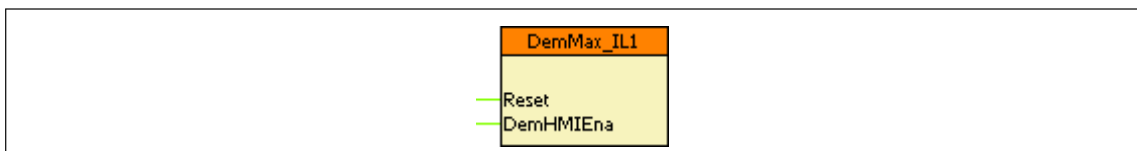
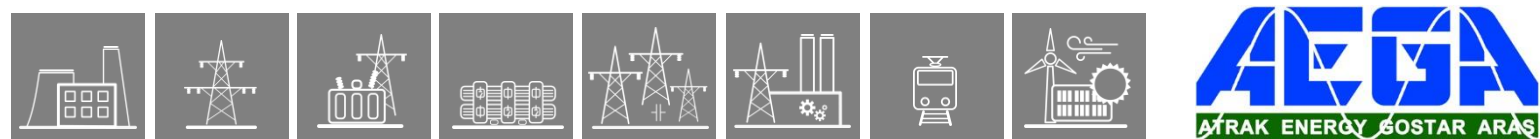


Figure 1-1 The function block of the average and maximum measurement function block



3.3.6. Metering

3.3.6.1. Application

The metering function can be applied to calculate the active and reactive energy supply and demand values based on the own measurement of the device or the energy meter impulses.

3.3.6.1.1. Mode of operation

There is an “Input selection” parameter to select the input of energy the calculation “Measurement” or “Impulse”. Chapter 1.1.1 and Chapter 1.1.2 describe the difference of operation.

3.3.6.1.2. Measurement mode

The input values of the EuroProt+ devices are the secondary signals of the voltage transformers and those of the current transformers.

These signals are pre-processed by the “Voltage transformer input” function block and by the “Current transformer input” function block. These function blocks are described in separate documents. The pre-processed values include the Fourier basic harmonic phasors of the voltages and currents. Additionally, it is in these function blocks that parameters are set concerning the voltage ratio of the primary voltage transformers and current ratio of the current transformers.

Based on the pre-processed values and the transformer parameters, the “Line measurement” function block calculates “P” and “Q” values in every process cycle and based on these values the “Metering” function block calculates the active and reactive power supply and demand. These values are accumulated to obtain, separately:

- Active power demand,
- Active power supply,
- Reactive power demand.
- Reactive power supply,

This means that the positive and negative values are accumulated separately.

The time period of the accumulation is defined by parameter setting. It can be selected in a broad range. The start of the accumulation is based on the integrated real-time clock of the device. For example, for the “Time Interval” setting of 15min, the trigger is: at 0h0min, 0h15min, 0h30min, 0h45 min, 1h0min, etc.

When the accumulation time is over, the calculated values are reported to the SCADA system. The displayed values change continuously.

The calculated values are available as primary quantities, and they can be displayed on the on-line screen of the device or on the webpage of the device and they are available for the SCADA system using the configured communication system.

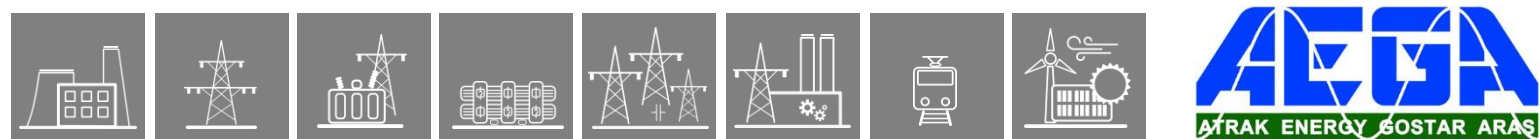
The **inputs** of the metering function are:

- the Fourier components of the measured voltages and currents,
- parameters.

The **output** of the metering function is:

- displayed measured values.

NOTE: the scaling values are entered as parameter setting for the “Voltage transformer input” function block and for the “Current transformer input” function block.



3.3.6.1.3. Impulse mode

Based on the external energy meter impulses. These impulse outputs of the meter connect as binary inputs. Metering function block calculates the active and reactive power supply and demand. These values are accumulated to obtain, separately:

- Active power demand,
- Active power supply,
- Reactive power demand.
- Reactive power supply,

Impulse scaling values are entered as parameters named “Active pulse scale” and “Reactive pulse scale”.

The time period of the accumulation is defined by parameter setting. It can be selected in a broad range. The start of the accumulation is based on the integrated real-time clock of the device. For example, for the “Time Interval” setting of 15min, the trigger is: at 0h0min, 0h15min, 0h30min, 0h45 min, 1h0min, etc.

When the accumulation time is over, the calculated values are reported to the SCADA system. The displayed values change continuously.

The calculated values are available as primary quantities and they can be displayed on the on-line screen of the device or on the webpage of the device and they are available for the SCADA system using the configured communication system

The **inputs** of the metering function are:

- the impulses of energy meter,
- parameters.

The **output** of the metering function is:

- displayed measured values.

3.3.6.1.4. Cumulation mode

“Cumulation mode” parameter defines the mode of operation. It can be “TRUE” or “FALSE”.

In “FALSE” mode the values set to zero after the values are reported to the SCADA system, based on the “Time Interval” settings.

In “TRUE” mode the values are cumulated after the report is sent to the SCADA system.

Maximum cumulated value depends on the CT module of IED and the primary nominals of CT and VT.

“Nominal primary power” = “Rated Primary U1-3” setting of VT module multiplied by “Rated Primary I1-3” setting of CT module. Unit prefix (**kilo-** or **Mega**) depends on the configuration, the “Line measurement” function uses the same unit prefix as Metering.

Maximum cumulated power value with CT+/1500 module = 3 259 602 multiplied by “Nominal primary power”

Maximum cumulated power value with CT+/5151 module = 65 192 055 multiplied by “Nominal primary power”

Maximum cumulated power value with CT+/5115 module = 8 149 006 multiplied by “Nominal primary power”

User can reset cumulated value to zero either by initiating the reset input of Metering function block or by restarting the device.

3.3.6.1.5. The measurement

3.3.6.1.5.1. Reference direction

“Reference direction” parameter setting defines the direction when voltage and current vectors are in phase. Setting can be “Demand” or “Supply”.

3.3.6.1.5.2. The measured values

Unit prefix of the **measured values** of the metering function depends on the configuration: it can be kilo or **Mega**. The “Line measurement” function uses the same unit prefix as the Metering.

MEASURED VALUE	EXPLANATION
MTR_PosP_OLM_	Demand kWh – active power consumption
MTR_NegP_OLM_	Supply kWh – active power supply
MTR_PosQ_OLM_	Demand kVArh – reactive power consumption
MTR_NegQ_OLM_	Supply kVArh – reactive power supply

Table 1-1 Measured values of the metering function

The measured values available are shown as on-line information, see the figure below.



Figure 1-1 Measured values of the metering function

3.3.6.1.6. Parameter setting

The time period of accumulation is defined by parameter setting. This can be selected in a broad range, as it is shown in Table 1-2.

Enumerated parameter

PARAMETER NAME	TITLE	SELECTION RANGE	DEFAULT
Selection of the time period for power metering			
MTR_TimInt_EPar_	Time Interval	Off, 5min, 10min, 15min, 30min, 60min	30min

Table 1-2 The enumerated parameter of the metering function

3.3.6.2. Metering function overview

The graphic appearance of the function block of the metering function is shown below. The block shows all binary input and output status signals which are applicable in the graphic equation editor.

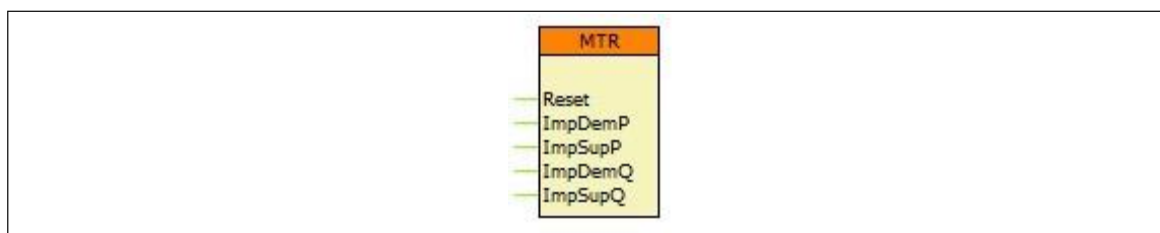


Figure 2-1 Graphic appearance of the function block of the metering function

3.3.6.2.1. Settings

3.3.6.2.1.1. Parameters

The available parameters are listed below in order of their appearance in the *parameters* menu. If the setting range of a parameter should be extended, contact Protecta Support.

Table 2-1 The available parameters of the metering function

TITLE	DIM.	RANGE	STEP	DEFAULT	EXPLANATION
Time Interval	-	Off, 5min (On), 10min , 15min , 30min , 60min	-	30min	Time period of accumulation parameter for general operation of the function:
Input selection	-	Measurement, Impulse,	-	Measurement	Input selection of energy calculation
Cumulation mode		FALSE,TRUE		FALSE	Cumulation mode is used
Reference direction	-	Demand, Supply	-	Demand	Energy direction reference selection.
Active pulse scale	kWh/ pulse	1 - 10000	1	100	One impulse of energy meter is equal to this setting
Reactive pulse scale	kVarh/ pulse	1 - 10000	1	100	One impulse of energy meter is equal to this setting

3.3.6.2.2. Function I/O

This section describes briefly the analogue and digital inputs and outputs of the function block.

3.3.6.2.2.1. Analogue inputs

The function uses the sampled values of a voltage and current inputs. This is defined in the configuration.

3.3.6.2.2.2. Analogue outputs (measurements)

The measured values of the metering function are listed in the table below.

Table 2-2 The measured analogue values of the metering function

MEASURED VALUE	DIMENSION	EXPLANATION
Demand P	kWh	Demand P. Unit prefix can be kilo- or mega-, depends on the configuration
Supply P	kWh	Supply P. Unit prefix can be kilo- or mega-, depends on the configuration
Demand Q	kVArh	Demand Q. Unit prefix can be kilo- or mega-, depends on the configuration
Supply Q	kVArh	Supply Q. Unit prefix can be kilo- or mega-, depends on the configuration

3.3.6.2.2.3. Binary input signals (graphed output statuses)

The conditions of the binary inputs are defined by the user, applying the graphic equation editor (*Logic Editor*). Parts written in **bold** are seen on the left side function block in the Logic editor.

Table 2-3 The binary input signal of the metering function

BINARY OUTPUT SIGNAL	EXPLANATION
MTR_Reset_GrO_	Reset input of the function has meaning only in cumulation mode
MTR_ImpDemP_GrO_	Demand P impulse of external energy meter input of the function has meaning only in impulse input mode
MTR_ImpSupP_GrO_	Supply P impulse of external energy meter input of the function has meaning only in impulse input mode
MTR_ImpDemQ_GrO_	Demand Q impulse of external energy meter input of the function has meaning only in impulse input mode
MTR_ImpSupQ_GrO_	Supply Q impulse of external energy meter input of the function has meaning only in impulse input mode

3.3.6.2.2.4. Events

The following events are generated in the event list, as well as sent to the SCADA according to the configuration.

Table 2-4 Generated events of the metering function

EVENT	DIMENSION	EXPLANATION
Demand P	Wh	Demand P value
Supply P	Wh	Supply P value
Demand Q	VArh	Demand Q value
Supply Q	VArh	Supply Q value

3.3.6.2.3. Technical data

Table 2-5 Technical data of the metering function

FUNCTION	RANGE	ACCURACY
Power accuracy	$I > 15\%I_n$	$\pm 3\%$

3.3.6.2.4. Notes for testing

Time period of the accumulation is defined by parameter setting.

Starting accumulation is based on the integrated real-time clock of the device.

For example, for a “Time Interval” setting of 15min, the trigger is: at 0h0min, 0h15min, 0h30min, 0h45 min, 1h0min, etc.

Parameter changing resets the accumulation. Using the settings of the example above, setting new parameters at 0h07min will result in the following:

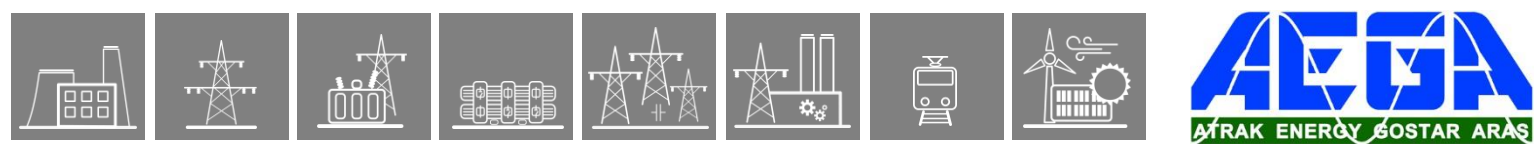
- the accumulated values are reset to zero,
- the new accumulation starts at 0h15min,
- the first report is sent at 0h30min. Measured values in Events list will also refresh at 0h30min.

3.3.6.2.5. 61850 LN

Instance number of Logical Node is not mentioned in the table below.

Table 2-6 Logical Node and Data Objects of the metering function

LN NAME	DO NAME	DA NAME	FC	EXPLANATION
EMMTR	DmdVArhPV	mag.f	MX	Demand VArh value
		q	MX	quality
		t	MX	timestamp
	DmdWhPV	mag.f	MX	Demand Wh value
		q	MX	quality
		t	MX	timestamp
	SupVArhPV	mag.f	MX	Supply VArh value
		q	MX	quality
		t	MX	timestamp
	SupWhPV	mag.f	MX	Supply Wh value
		q	MX	quality
		t	MX	timestamp



3.3.7. Voltage selection function block

3.3.7.1. Application

In several substation configurations with double busbar, there is no voltage measurement in the bays, but voltage transformers are connected to the busbars only.

If the protection functions configured in the bay devices apply voltage measurement then the correct selection of the voltage sources is needed. The role of the voltage selection is that the protection functions get the voltage of the busbar section to which the feeder or the transformer is connected.

To solve this problem the device gets both three-phase voltages of both busbar sections, and a binary signal decides which one is valid for the protection function.

The “Voltage selection” function block assigns the correct voltages to the protection functions.

3.3.7.2. Mode of operation

The voltage selection is decided by a binary signal. **The conditions are defined by the user applying the graphic equation editor.**

If this input signal is FALSE then the voltages of the voltage input module configured as default input are assigned to the protection functions.

If however this input signal is TRUE then the voltages of the other voltage input module are assigned to the protection functions.

3.3.7.3. The binary status signals

The voltage selection function block has a binary input signal. **The conditions are defined by the user applying the graphic equation editor.**

The **binary input status signal** of the voltage selection function block is shown in Table 1-1.

Binary status signal	Title	Explanation
SelectVolt_USelect_GrO_	USelect	Binary signal controlling the voltage selection

Table 1-1 The binary input status signal of the voltage selection function block

The **binary output status signals** of the voltage selection function block.

The voltage selection function block has no binary output status signals.

3.3.7.4. The parameters

The voltage selection function block has no parameters.

3.3.7.5. The symbol of the function block in the graphic editor

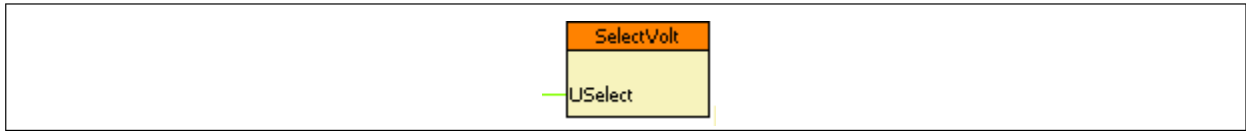


Figure 1-1 The function block of the voltage selection function block

The name of the input signal is a part of the “Binary status signal” name shown in Table 1-1.

3.3.7.6. Example

In this simple example the channel No.1 of the binary input module in position “F” is used as the signal controlling the selection.

If this input signal is FALSE then the voltages of the voltage input module configured as default input are assigned to the protection functions.

If however this input signal is TRUE then the voltages of the other voltage input module are assigned to the protection functions.

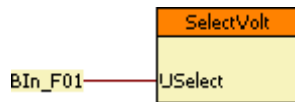


Figure 2-1 Example The simple application of the voltage selection function block

3.3.8.2. Trip value recorder function overview

The graphic appearance of the function block of the trip value recorder function is shown below. The block shows all binary input and output status signals which are applicable in the graphic equation editor.

Usually, the collected general start signal of the protection functions is assigned to the “Start” input and the general trip signal of trip logic function is connected to the “Trip” input.

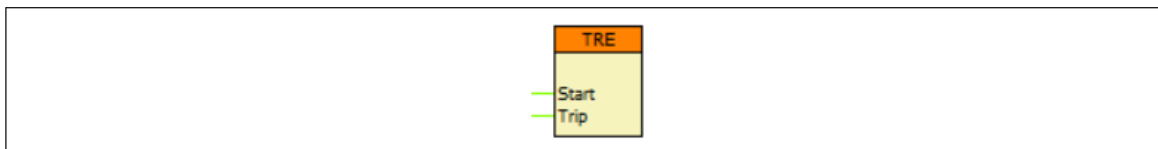


Figure 2-1 Graphic appearance of the function block of the trip value recorder function

3.3.8.2.1. Settings

3.3.8.2.1.1. Parameters

The Trip value recorder function does not have any parameters.

3.3.8.2.2. Function I/O

This section describes briefly the analogue and digital inputs and outputs of the function block.

3.3.8.2.2.1. Analogue inputs

The function uses the sampled values of a current input or voltage input. Moreover, calculated analogue signals i.e.: symmetrical values, differential/bias current values can be used as inputs.

The following table contains the available input channels of the trip value recorder function.

Table 2-1 Available analogue inputs of the trip value recorder function

ANALOGUE INPUTS	RELATED FUNCTION BLOCK
Phase current, phase-to-phase, symmetrical, residual currents	CT4, CalcCurr
Voltage in phase, phase-to-phase, and symmetrical; Reference (busbar) voltages	VT4, CalcVolt
Calculated Idiff/Ibias current of transformer differential protection	DIF87T
Calculated Idiff/Ibias current of busbar differential protection for each bus section	DIF87B

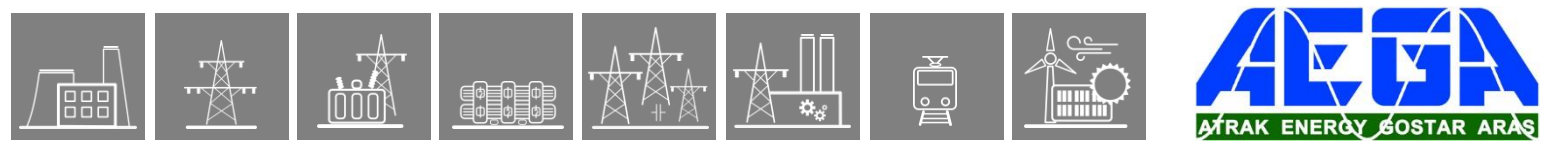
NOTE: Displaying the fault current values of the line differential protection Idiff/Ibias current and the restricted earth fault protection Idiff/Ibias current are integrated into the protection function, thus not need additional trip value functions to display the trip values.

3.3.8.2.2.2. Binary input signals (graphed output statuses)

The conditions of the binary inputs are defined by the user, applying the graphic equation editor (*Logic Editor*). Parts written in **bold** are seen on the left side function block in the Logic editor.

Table 2-2 The binary input signal of the trip value recorder function

BINARY OUTPUT SIGNAL	EXPLANATION
TRE_ Start _GrO_	Dedicated input of the function to receive the start signal of the selected protection functions
TRE_ Trip _GrO_	Dedicated input of the function to receive the trip signal of the selected protection functions



3.3.8.2.2.3. Binary output signals (graphed input statuses)

The Trip value recorder function does not have any binary output signals.

3.3.8.2.2.4. Online data

No default visible values on the *online data* page.

3.3.8.2.2.5. Events

The following events are generated in the event list, as well as sent to the SCADA according to the configuration.

Table 2-3 Generated events of the trip value recorder function

EVENT	VALUE	EXPLANATION
... Prefault*	according to the applied input	Prefault value of the applied signal
... Fault*	according to the applied input	Fault value of the applied signal

**The event text may vary according to the actual device configuration (.epcs)*

3.3.9. RTD temperature input function

3.3.9.1. Application of the RTD input

If the factory configuration includes an RTD temperature input hardware module, the temperature input function block is automatically configured among the software function blocks. Separate temperature input function blocks are assigned to each temperature input hardware module.

The RTD+1100 temperature input hardware module is equipped with four special input channels, the RTD+ 0200 has a single channel only. (See EuroProt+ hardware description document.) To each channel, a temperature sensor can be connected. The temperature is measured as the resistance value of the sensor, which depends upon the temperature.

The sensors can be connected by wiring methods, shown in Figure 1–1, Figure 1–2 and Figure 1–3. The connection mode is identified also by parameter setting.

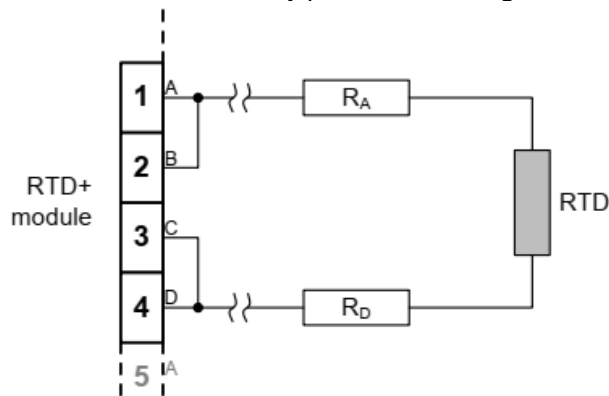


Figure 1–1 2-wire RTD wiring

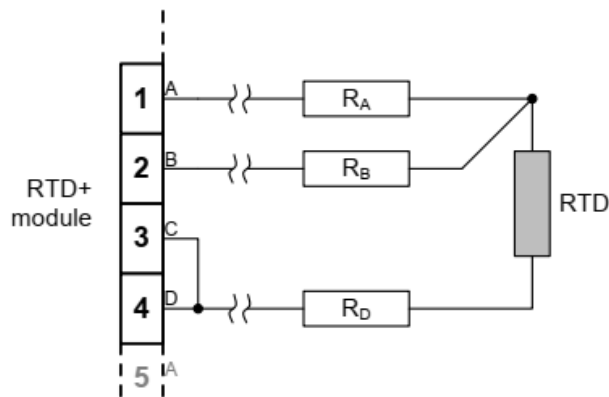


Figure 1–2 3-wire RTD wiring

When 3-wire connection is applied, it is supposed that $R_A=R_D$.

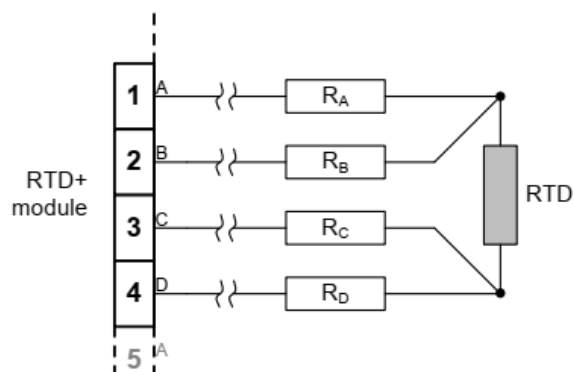
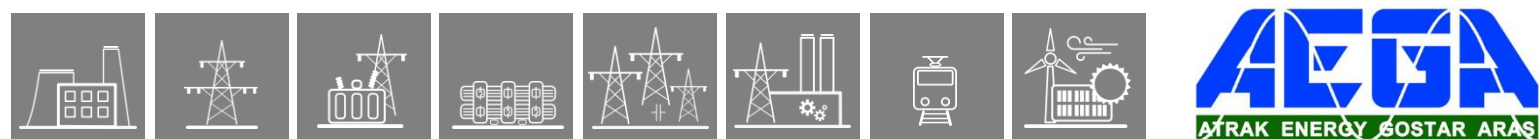


Figure 1-3 4-wire RTD wiring

The channels of the module is independent of each other. To each channel a dedicated measuring module is assigned. These measuring modules are described in a separate document: “**GGIORTD temperature measurement module function block description**”. The module is prepared to connect the following types of sensors:

- Pt100/Ni100
- Ni120/Ni120US
- Pt250/Ni250
- Pt1000/Ni1000
- Cu10
- Service-Ohm (60 Ω ... 1.6 k Ω)

The applied type of sensors define the conversion mode from measured resistance to temperature. These are selected by parameters of the temperature measuring module. See separate document: “**GGIORTD temperature measurement module function block description**”.



3.3.9.2. Technical summary

3.3.9.2.1. Technical data

The technical data of the temperature input module are related to the hardware module. This is described in the document “**EuroProt+ Hardware description**, Chapter 10: RTD input module”.

3.3.9.2.2. Summary of the parameters

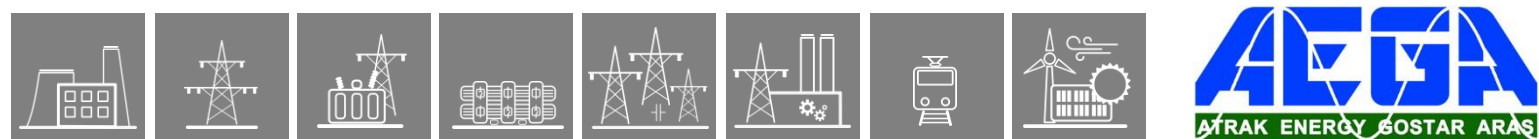
The parameters of the temperature input function are explained in the following table.

Enumerated parameters

Parameter name	Title	Selection range	Default
Connection mode of Channel 1			
RTD_Ch1RangeOfMAn03_EPar_	Channel 01	3wire, 4wire, 2wire	3wire
Connection mode of Channel 2			
RTD_Ch2Range2OfMAn03_EPar_	Channel 02	3wire, 4wire, 2wire	3wire
Connection mode of Channel 3			
RTD_Ch3RangeOfMAn04_EPar_	Channel 03	3wire, 4wire, 2wire	3wire
Connection mode of Channel 4			
RTD_Ch4Range2OfMAn04_EPar_	Channel 04	3wire, 4wire, 2wire	3wire

Table 1-1 The enumerated parameters of the voltage input function

NOTE: The function block has no input and output binary signals, the graphic logic editor does not show this function block.



3.4. Disturbance recorder function

The disturbance recorder function can record analog signals and binary status signals. These signals are configured using the EuroCAP software tool.

The disturbance recorder function has a binary input signal, which serves the purpose of starting the function. **The conditions of starting are defined by the user, applying the graphic equation editor.** The disturbance recorder function keeps on recording during the active state of this signal but the total recording time is limited by the timer parameter setting.

The pre-fault time, max recording time and post-fault time can be defined by parameters.

3.4.1. Mode of recording

If the triggering conditions defined by the user - using the graphic equation editor – are satisfied and the function is enabled by parameter setting, then the disturbance recorder starts recording the sampled values of configured analog signals and binary signals.

The analog signals can be sampled values (voltages and currents) received via input modules or they can be calculated analog values (such as negative sequence components, etc.)

The number of the configured binary signals for recording is limited to 64, and up to 32 analog channels can be recorded.

The available memory for disturbance records is 12 MB.

There are two function blocks available. The first function (**DRE**) applies 20 sampling in a network period. Accordingly for 50 Hz, the sampling frequency is 1 kHz. (For 60 Hz the sampling frequency is 1.2 kHz). This is used in all configurations by default.

The second function (**DRE2**) is capable to be set by parameter to apply 20 or 40 sampling in a network period. This way accordingly for 50 Hz, the sampling frequency is 1 kHz or 2 kHz (and for 60 Hz the sampling frequency is 1.2 kHz or 2.4 kHz). *Except for this, the two function blocks are the same.*

As an example, for 50 Hz, if the duration of the record is 1000 ms then one analog channel needs about 7 kB and a binary channel needs 2 kB, Using the following formula the memory size can be estimated:

$$\text{Memory size of a record} = (n \cdot 7 \text{ kB} + m \cdot 2 \text{ kB}) \cdot \text{record duration (s)}$$

Here n,m: are the number of analog and binary channels respectively.

During the operation of the function, the pre-fault signals are preserved for the time duration as defined by the parameter “PreFault”.

The recording duration is limited by the parameter “Max Recording Time” but if the triggering signal resets earlier, this section is shorter.

The post-fault signals are preserved for the time duration as defined by the parameter “PostFault”.

During or after the running of the recording, the triggering condition must be reset for a new recording procedure to start.

3.4.2. Format of recording

The records are stored in standard COMTRADE format.

- The configuration is defined by the file .cfg,
- The data are stored in the file .dat,
- Plain text comments can be written in the file .inf.

3.4.3. Downloading and evaluating the disturbance records

The procedure for downloading the records is described in detail in the EuroProt+ manual “Remote user interface description”, Chapter 4.7. The three files are zipped in a file .zip. This procedure assures that the three component files (.cfg, .dat and .inf) are stored in the same location.

The evaluation can be performed using any COMTRADE evaluator software. Protecta offers the “**srEval**” software for this purpose. The application of this software is described in detail in the “srEval manual”. This manual can be downloaded from the following Internet address: http://www.softreal.hu/product/sreval_en.shtml.

3.4.4. Parameters of the disturbance recorder functions

Enumerated parameters

Parameter name	Title	Selection range	Default
Parameter for activation			
DRE_Oper_EPar_	Operation	Off, On	Off
DRE_Resolution_EPar_	Resolution *	1/1.2kHz, 2/2.4kHz	1/1.2kHz

*only on the optional 2/2.4 kHz disturbance recorder function

Table 1-1 The enumerated parameters of the disturbance recorder functions

Timer parameters

Parameter name	Title	Unit	Min	Max	Step	Default
Pre-fault time:						
DRE_PreFault_TPar_	PreFault	msec	100	1000	1	200
Post-fault time:						
DRE_PostFault_TPar_	PostFault	msec	100	1000	1	200
Overall-fault time limit:						
DRE_MaxFault_TPar_	Max Recording Time	msec	500	10000	1	1000

Table 1-2 The timer parameters of the disturbance recorder functions

NOTE: The device goes automatically in “Warning” state and sends a warning message (see [Figure 1-1](#)) if the sum of the pre-fault time and post-fault time is longer than the overall-fault time. The corresponding message in the RDSP log file is: „Wrong DR settings. PreFault + PostFault must be less than MaxFault. Check the parameters.”



Figure 1-1 Warning message if the settings are invalid

3.4.5. The input signals of the disturbance recorder functions

Binary status signals

The disturbance recorder function has a binary input signal, which serves the purpose of starting the function. **The conditions of starting are defined by the user, applying the graphic equation editor.**

Binary status signal	Explanation
DRE_Start_GrO_	Output status of a graphic equation defined by the user to start the disturbance recorder function.

Table 1-3 The binary input signal of the disturbance recorder functions

The recording is performed if the function is enabled by the parameter setting AND the triggering condition as defined by the user is “True” as well.

3.4.6. The function blocks

The two function blocks of the disturbance recorder function is shown in [Figure 1-2](#). The block shows the binary input status signal, which serves the purpose of triggering the record. It is defined by the user in the graphic equation editor.

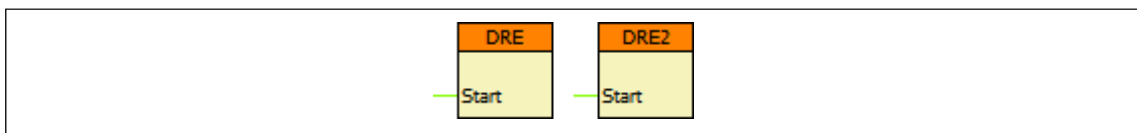
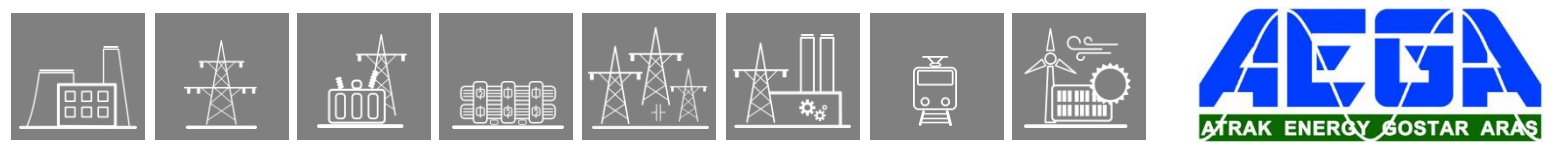


Figure 1-2 The function blocks of the disturbance recorder functions

3.4.7. The recorded signals

The analog and binary signals to be recorded are configured using the EuroCAP software tool in the menu item “Software configuration/Disturbance recorder”. (The access level of the user must be at least “Master”.) The application of this software is described in detail in the EuroCAP manual.



3.5. Event recorder

The events of the device and those of the protection functions are recorded with a time stamp of 1 ms time resolution. This information with indication of the generating function can be checked on the touch-screen of the device in the “Events” page, or using an Internet browser of a connected computer

4. Maintenance guide for EuroProt+ devices

4.1. Foreword

The EuroProt+ devices are designed with the most up-to-date and durable components available, to keep appliances in continuous operation for decades. For this range, the only type of components that can age and lead to equipment failure are the power supply capacitors. Therefore, this document, in addition to suggesting some general steps for planned inspections, contains important information on the inspection of power supply modules.

4.2. Safety precautions

The EP+ protection-family, depending on the type, operates at dangerous power supply voltages (220 VDC, 230 VAC, 60 VDC, 48 VDC).



In all cases where the connections of the appliance are to be installed or opened, the work must be carried out by a suitably qualified person.

In all cases, the first step of activity should be to switch off the power



The EuroProt+ protection family has a high operating internal temperature. Operations carried out immediately after operation may lead to dangerous burns.



The hardware and software of the EP+ protection family form a complex system. Setting, modifying, and mounting the individual components may severely affect the operation of the whole system.

In all cases where the device is to be operated or maintained, the activity must be carried out by qualified personnel only

4.2.1. General guidelines for a scheduled maintenance of EP+ devices

1. As a first step, it is recommended to send an email attaching a report.zip file to the Protecta Application Department on the email address application@protecta.hu. In the report file, the logs contain information that can indicate abnormal operation of a module before it causes an operational fault. Based on this information, Protecta can make recommendations for the replacement or repair of the modules concerned.



The report.zip file can be downloaded from the device's web interface, in the Backup / Report section of the Advanced / Status / Log menu, by pressing the "Get file" button. Attention! The file size should be about 700kB. If the downloaded file size is significantly smaller than this, please try again or contact Protecta's Application Department via our web-based support system (<https://support.protecta.hu/?language=English>)!

2. It is usually recommended to update the firmware of the devices during scheduled maintenance. Information about the new firmware releases can be found in the [Release Notes on the Protecta homepage](#). The information here can be used to consider upgrading the basic software for a single device, or all devices in a substation.



Before starting the upgrade, always contact the Protecta Application Department or submit a ticket in the web-based support system from the following link: <https://support.protecta.hu/>

For more details on the firmware update, please refer to Chapter 4.2.10.4 of the [EuroProt+ Operating Manual](#).

4.3. Power supply maintenance

Power supplies are designed with the longest possible life electrolytic capacitors. Their expected lifetime depends significantly on the environmental conditions of the device. During a scheduled inspection, we recommend visual inspection of the power supply for any abnormalities in the capacitors. The most common phenomena are: bloating, electrolyte leakage, discoloration, which typically occurs on capacitors, but can also occur on the surface of the PCB board due to leakage. In case of abnormality, the capacitors should be replaced. In such a case, please contact Protecta's Application Department via our support page (<https://support.protecta.hu/>)!

The following figures illustrate the different capacitor states in several photos.



Figure 4-1 The capacitor on the right is already discolored

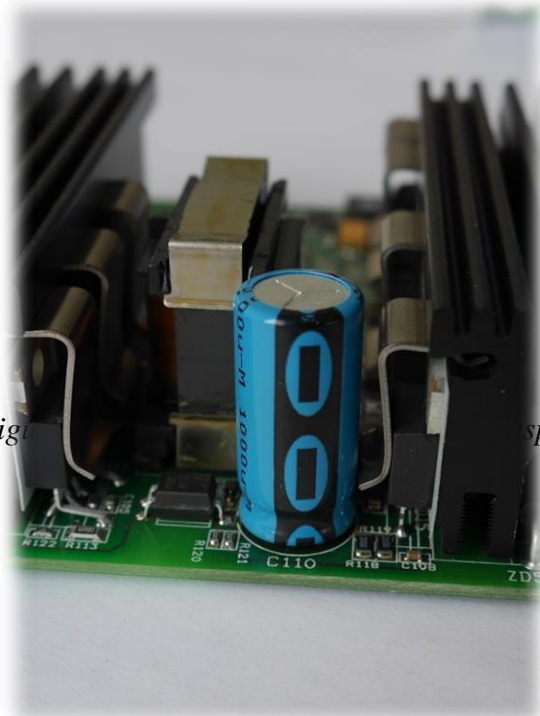
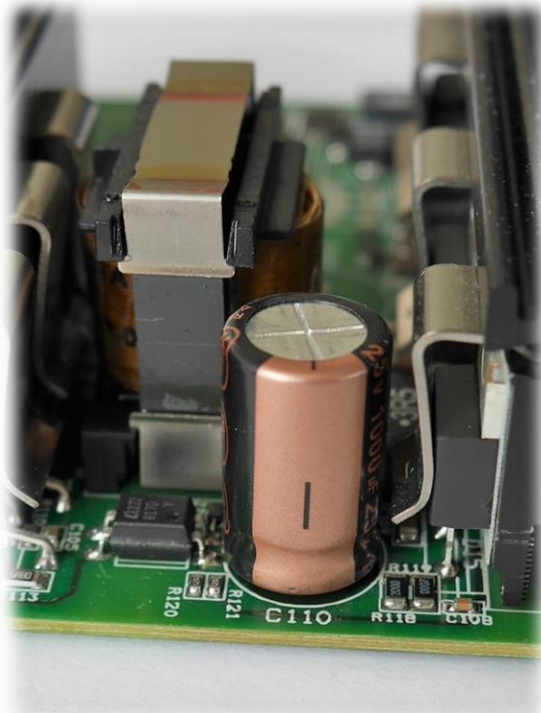
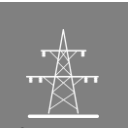
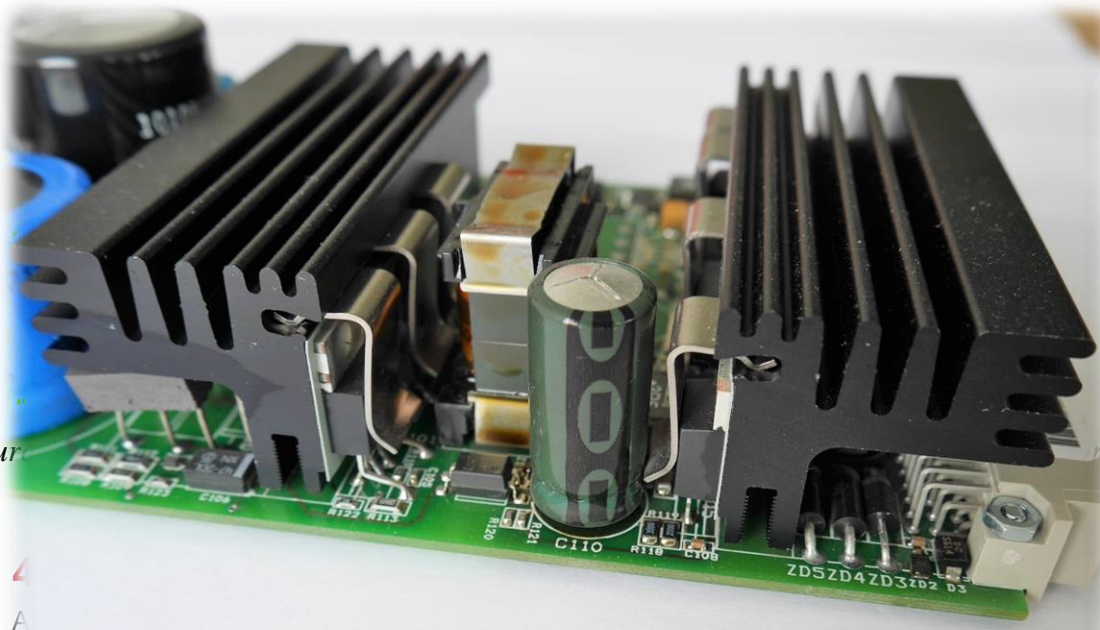
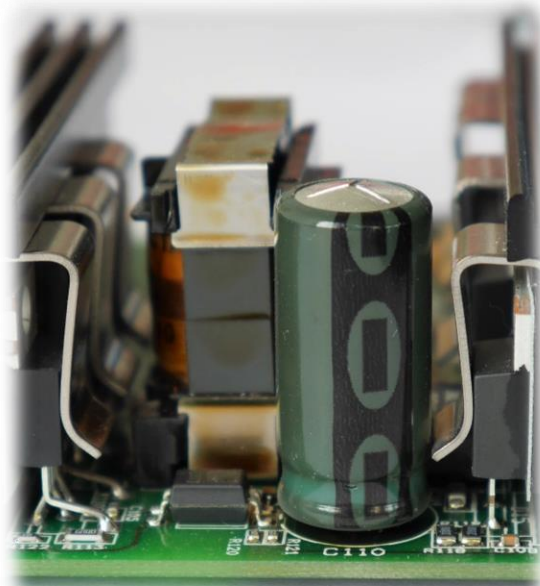
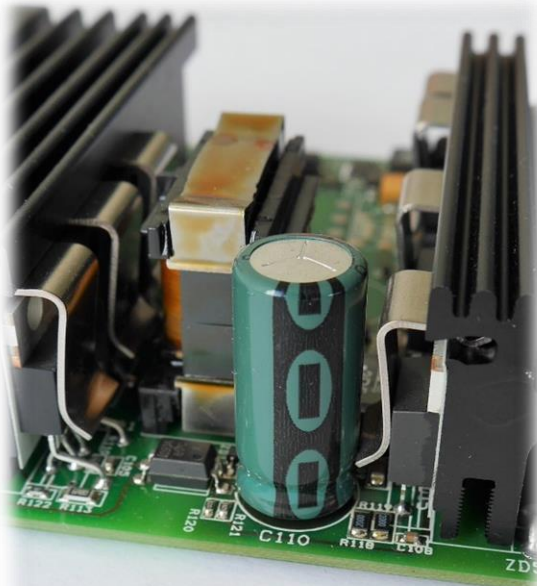


Fig. 1. Inspection



C

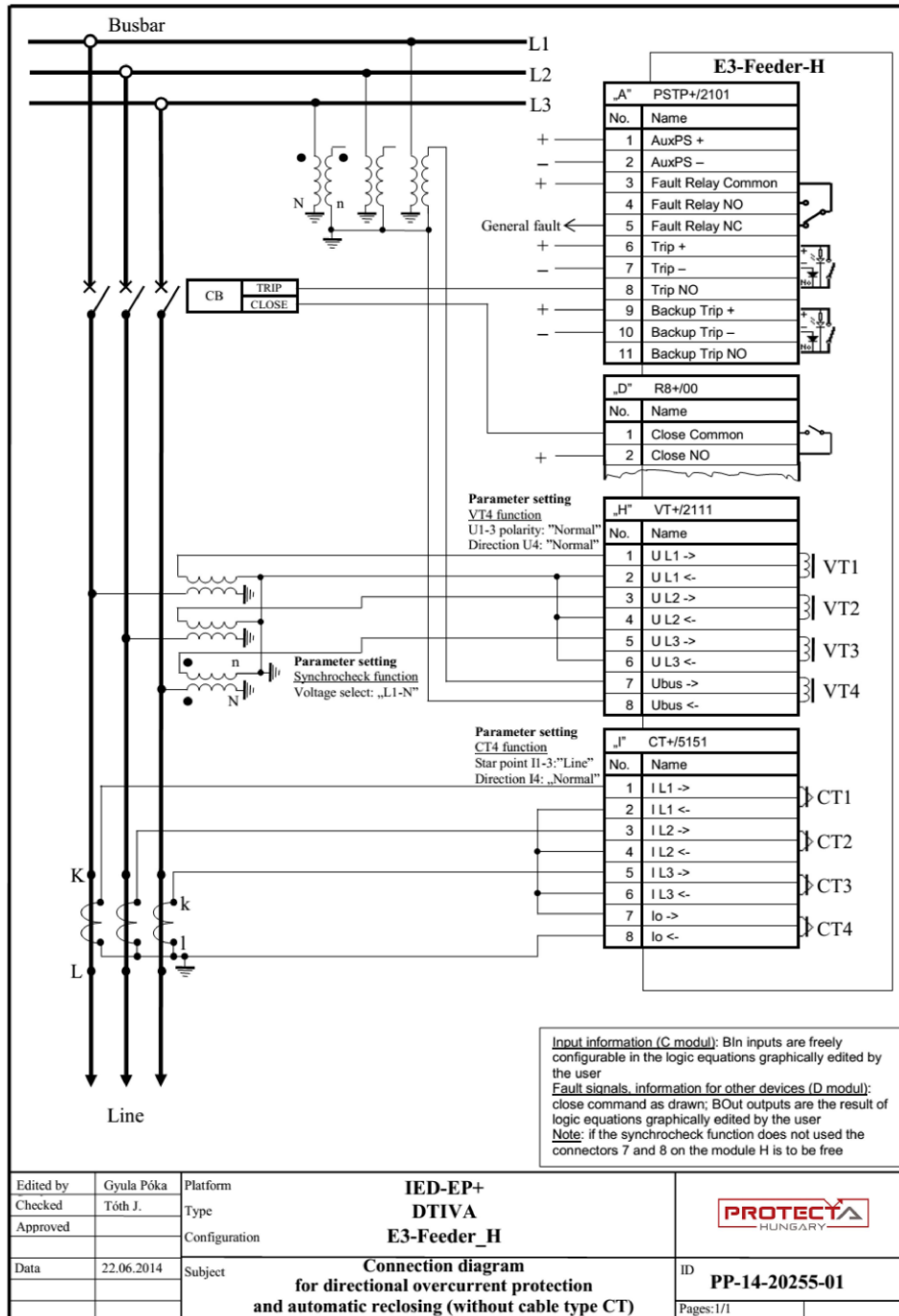


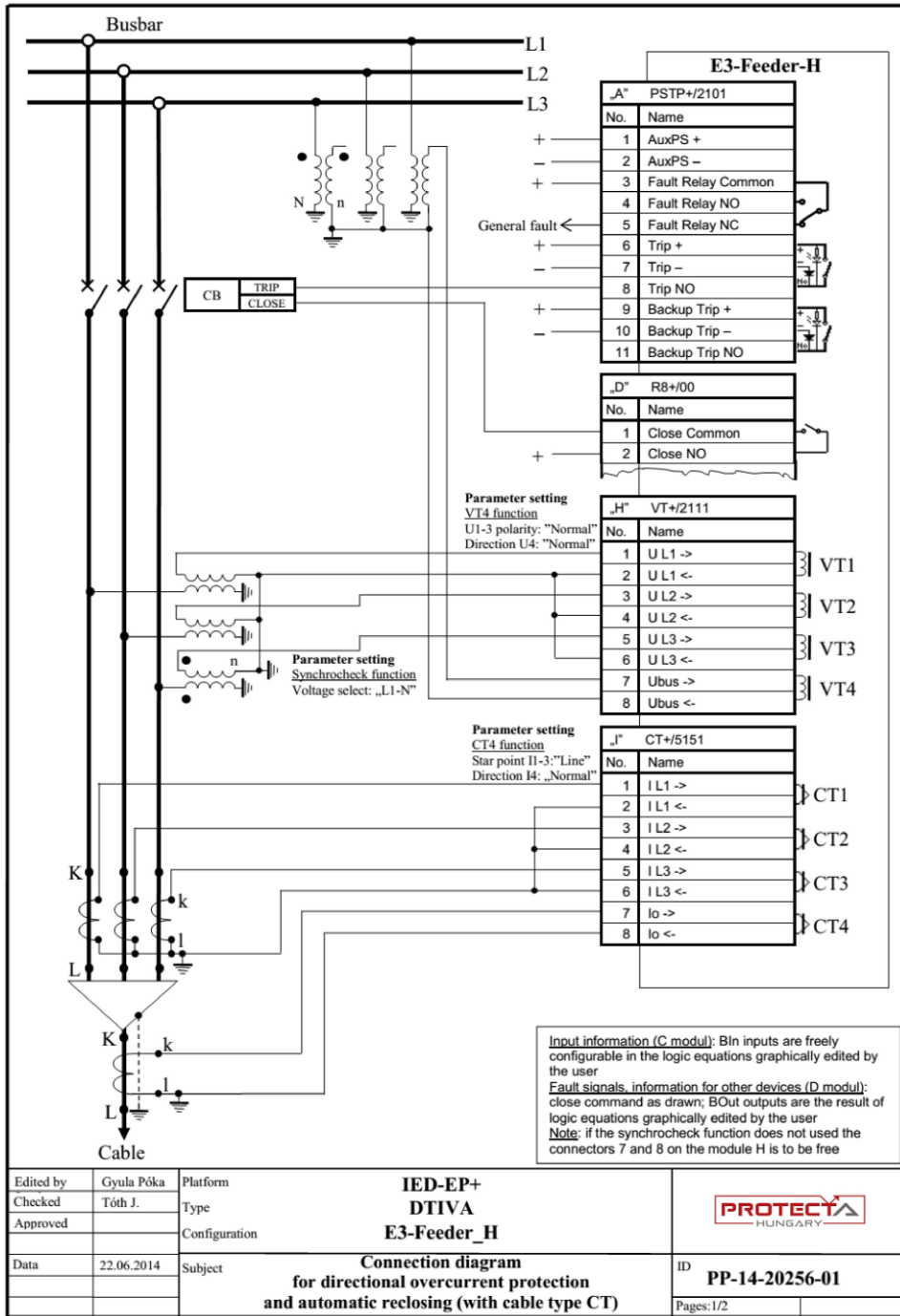
figur

original blue

4
 A
 O

5. External Connections





Edited by	Gyula Póka	Platform	IED-EP+	PROTECT HUNGARY	
Checked	Tóth J.	Type	DTIVA		
Approved		Configuration	E3-Feeder_H		
Data	22.06.2014	Subject	Connection diagram for directional overcurrent protection and automatic reclosing (with cable type CT)		
				ID	PP-14-20256-01
				Pages:	1/2

